



US00D601970S

(12) **United States Design Patent**
Peng et al.

(10) **Patent No.:** **US D601,970 S**

(45) **Date of Patent:** **** Oct. 13, 2009**

(54) **CONTACT**

(75) Inventors: **Yung Chi Peng**, Tu-Cheng (TW); **Sheng Yuan Huang**, Tu-Cheng (TW)

(73) Assignee: **Cheng Uei Precision Industry Co., Ltd.**, Taipei Hsien (TW)

(**) Term: **14 Years**

(21) Appl. No.: **29/311,462**

(22) Filed: **Mar. 24, 2009**

(51) **LOC (9) Cl.** **13-03**

(52) **U.S. Cl.** **D13/154**

(58) **Field of Classification Search** D13/120,
D13/133, 154, 184; 439/607-610, 732, 844,
439/851-852, 865-867, 872, 877, 884
See application file for complete search history.

(56) **References Cited**

U.S. PATENT DOCUMENTS

D514,514 S * 2/2006 Franks, Jr. D13/133
D568,246 S * 5/2008 Wu et al. D13/133

D585,031 S * 1/2009 Hung D13/154

* cited by examiner

Primary Examiner—Daniel D Bui

(74) *Attorney, Agent, or Firm*—Rosenberg, Klein & Lee

(57) **CLAIM**

The ornamental design for a contact, as shown and described.

DESCRIPTION

FIG. 1 is a perspective view of a contact showing our new design;

FIG. 2 is a front elevational view thereof;

FIG. 3 is a rear elevational view thereof;

FIG. 4 is a left side elevational view thereof;

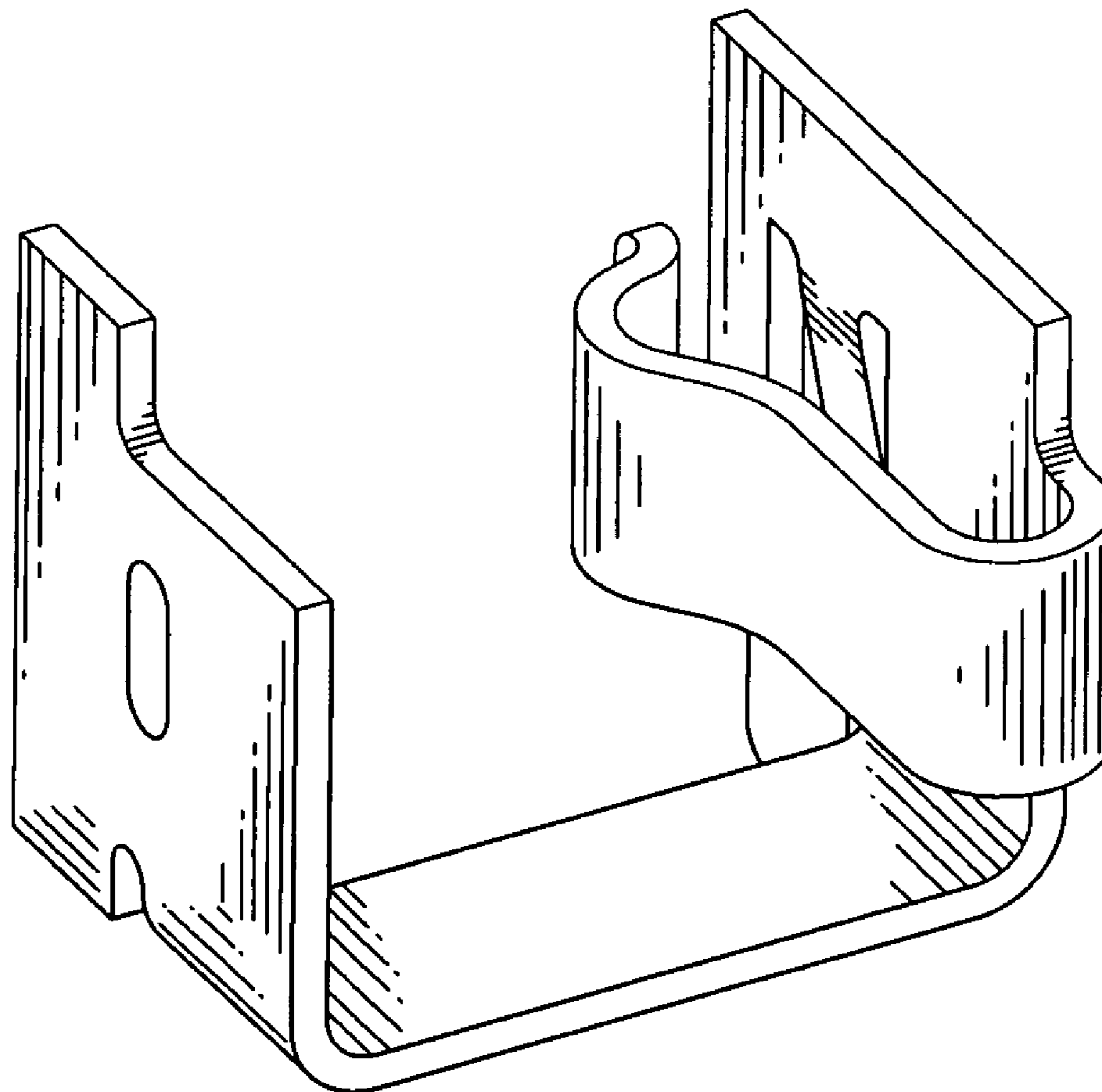
FIG. 5 is a right side elevational view thereof;

FIG. 6 is a top plan view thereof;

FIG. 7 is a bottom plan view thereof; and,

FIG. 8 is another perspective view of the contact showing our new design.

1 Claim, 8 Drawing Sheets



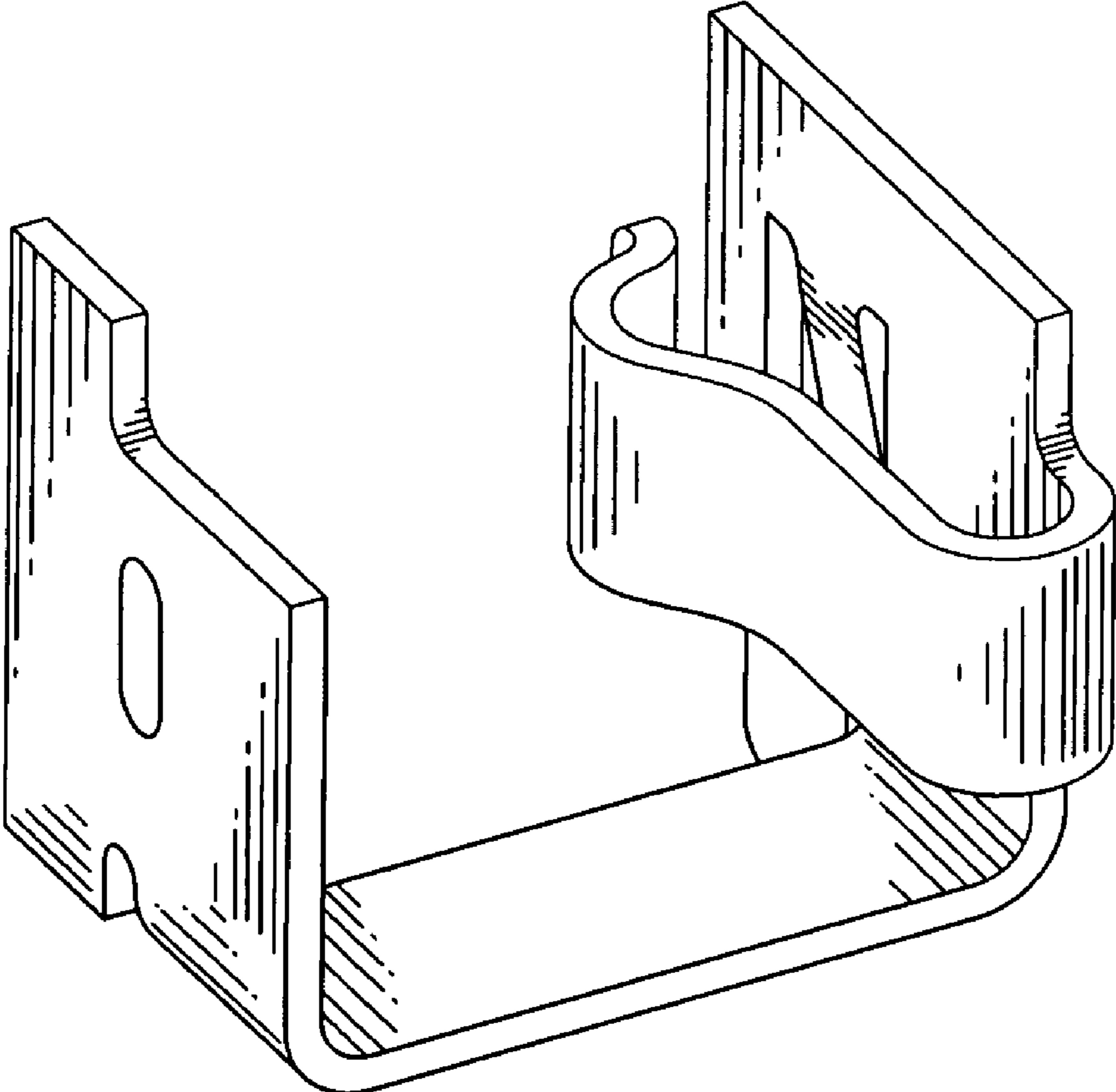


FIG. 1

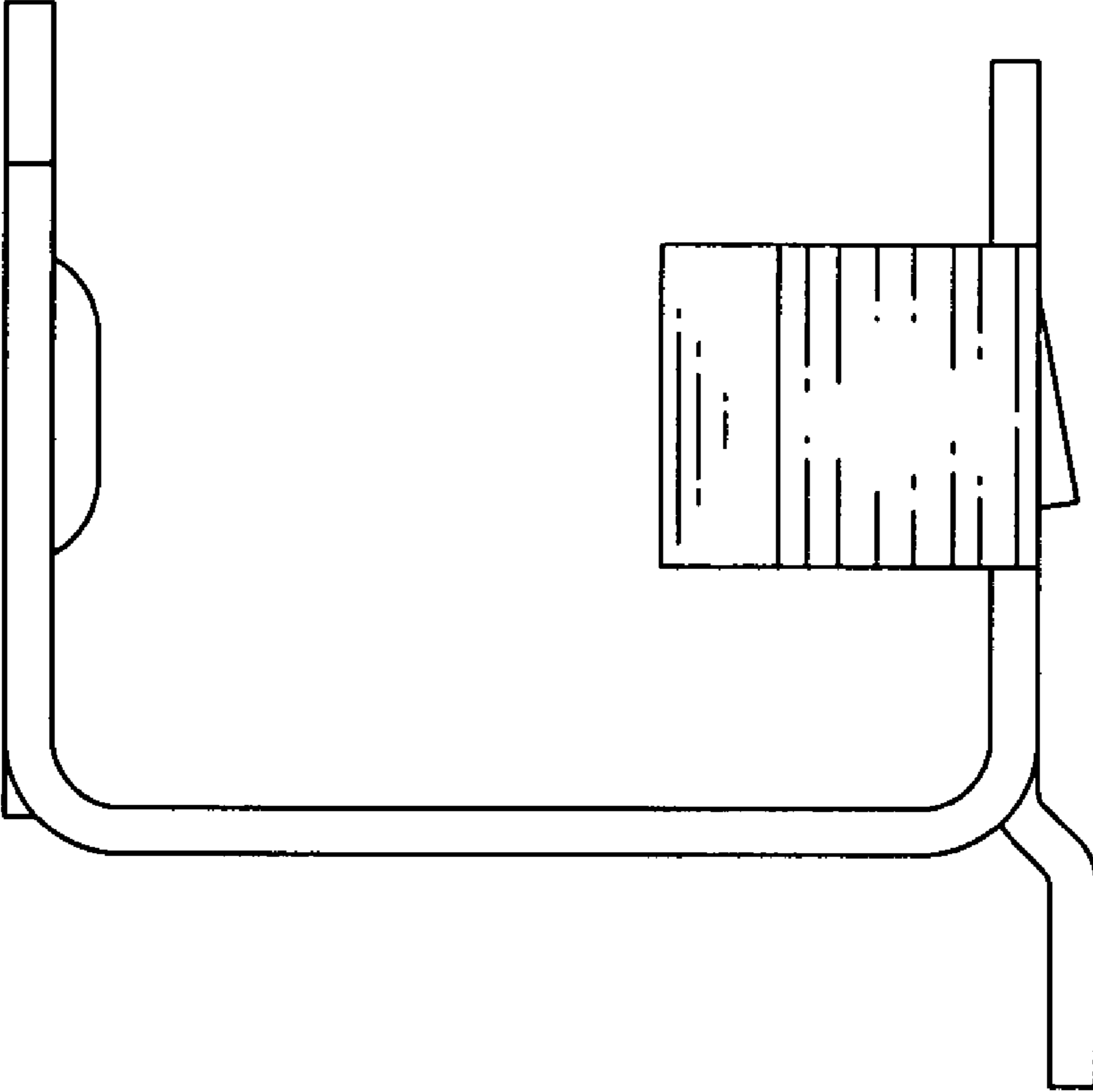


FIG. 2

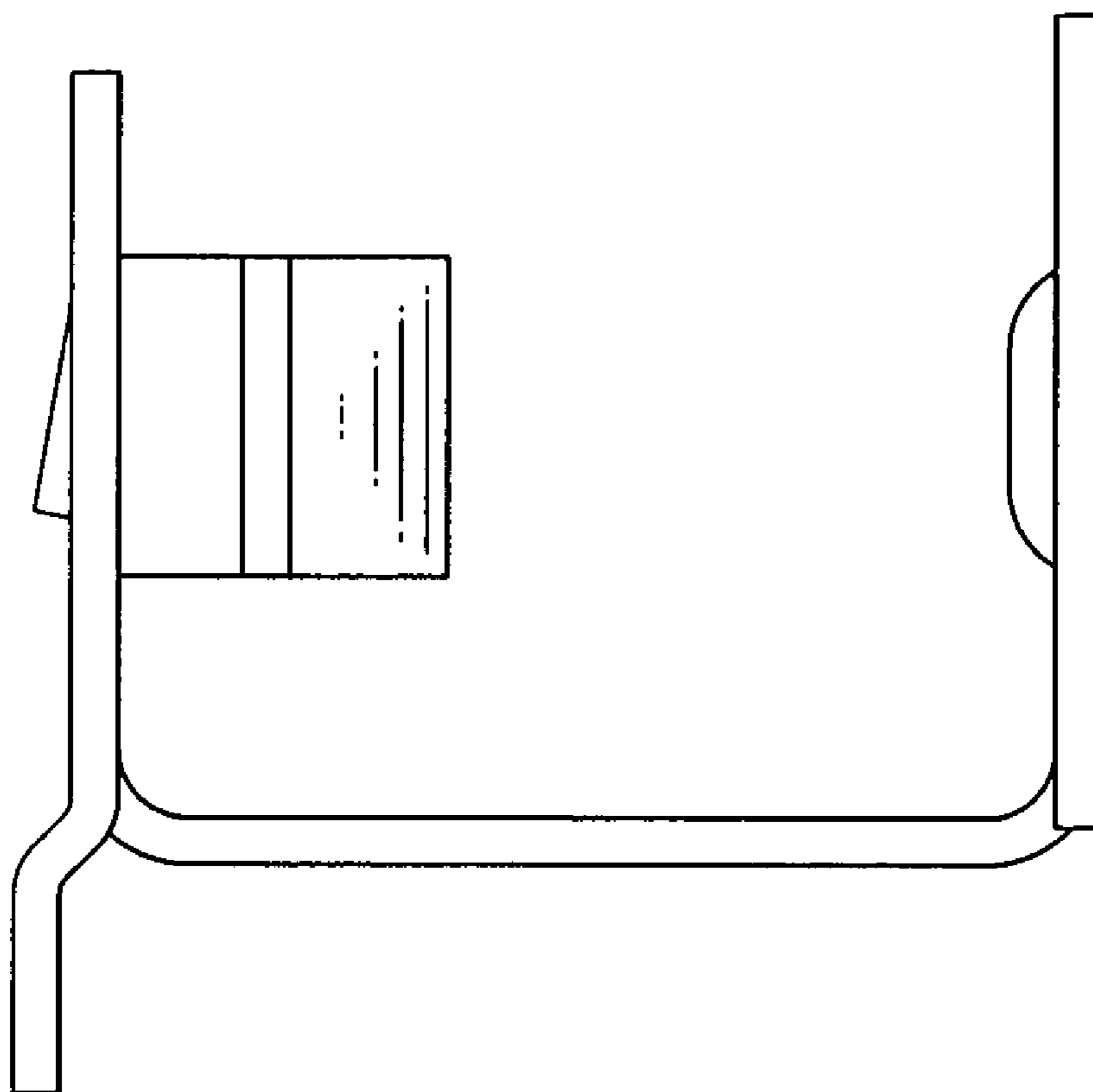


FIG. 3

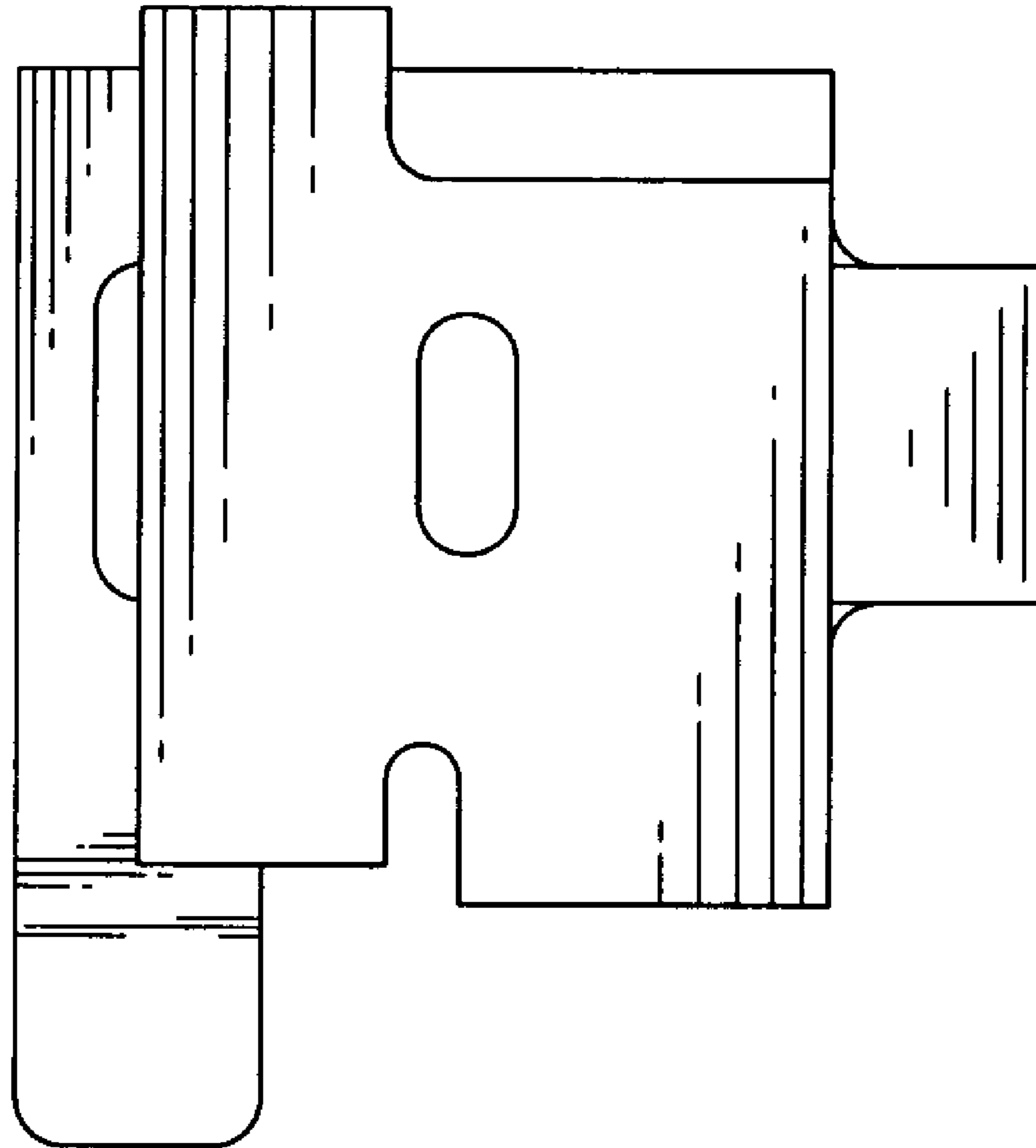


FIG. 4

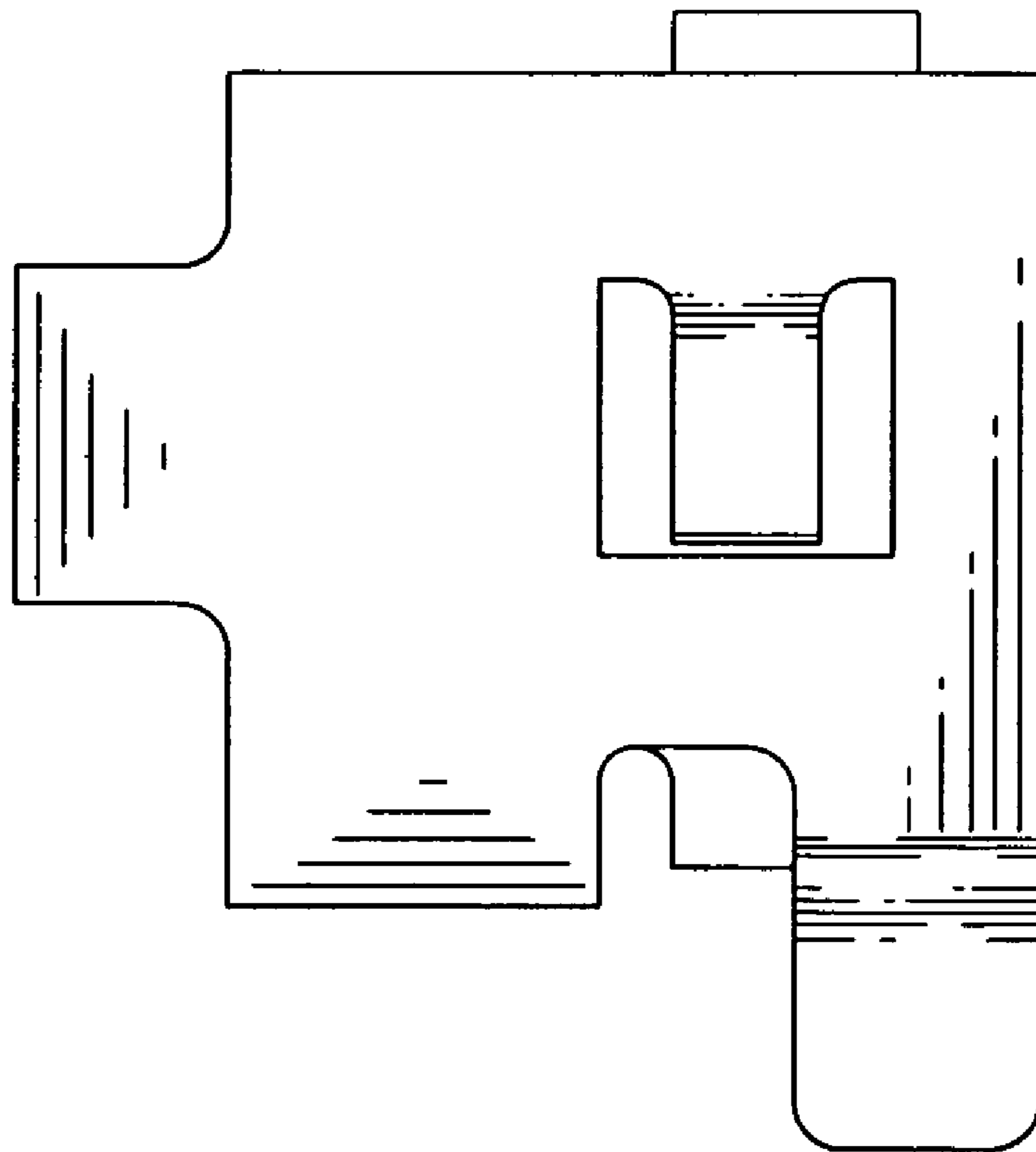


FIG. 5

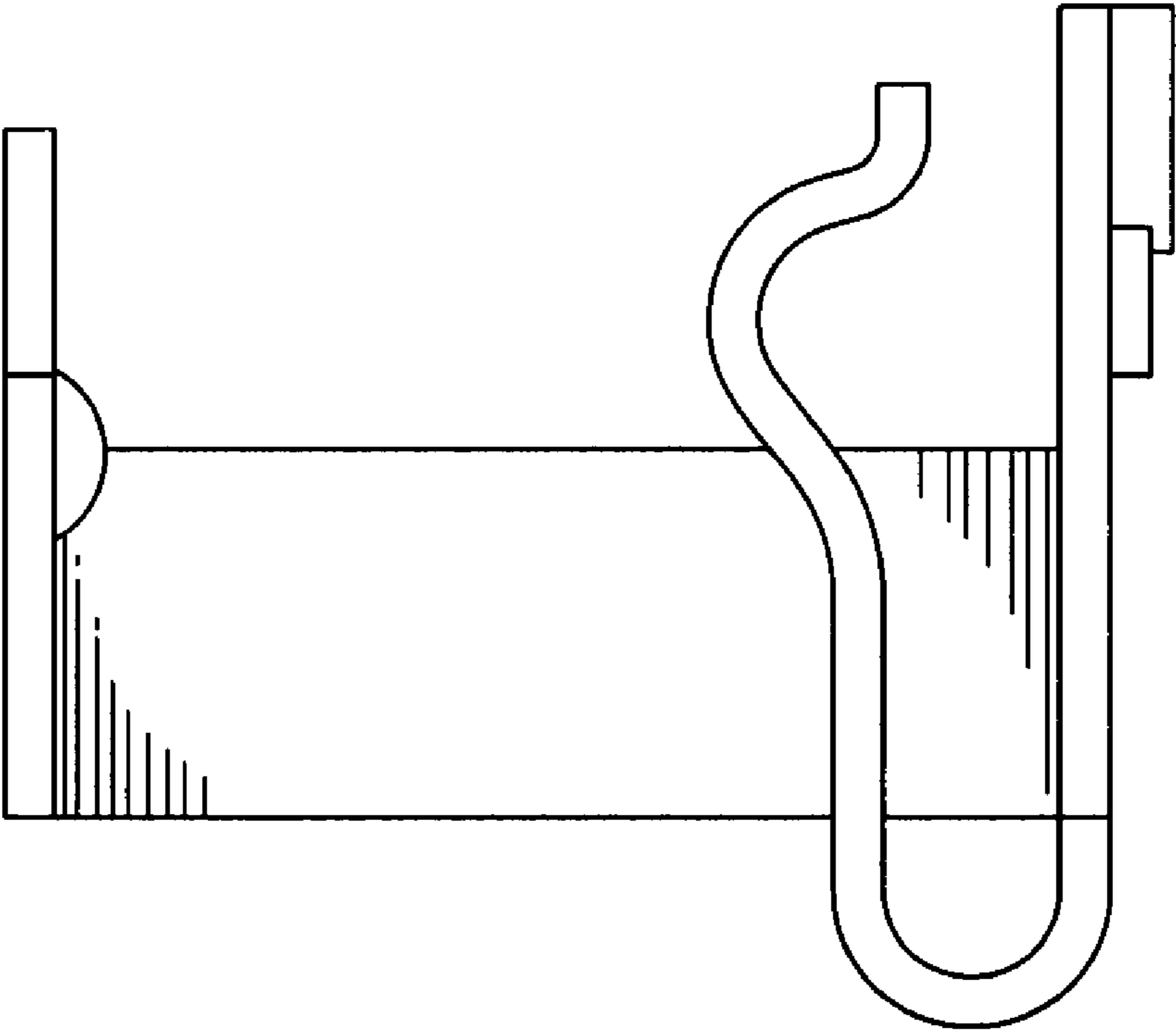


FIG. 6

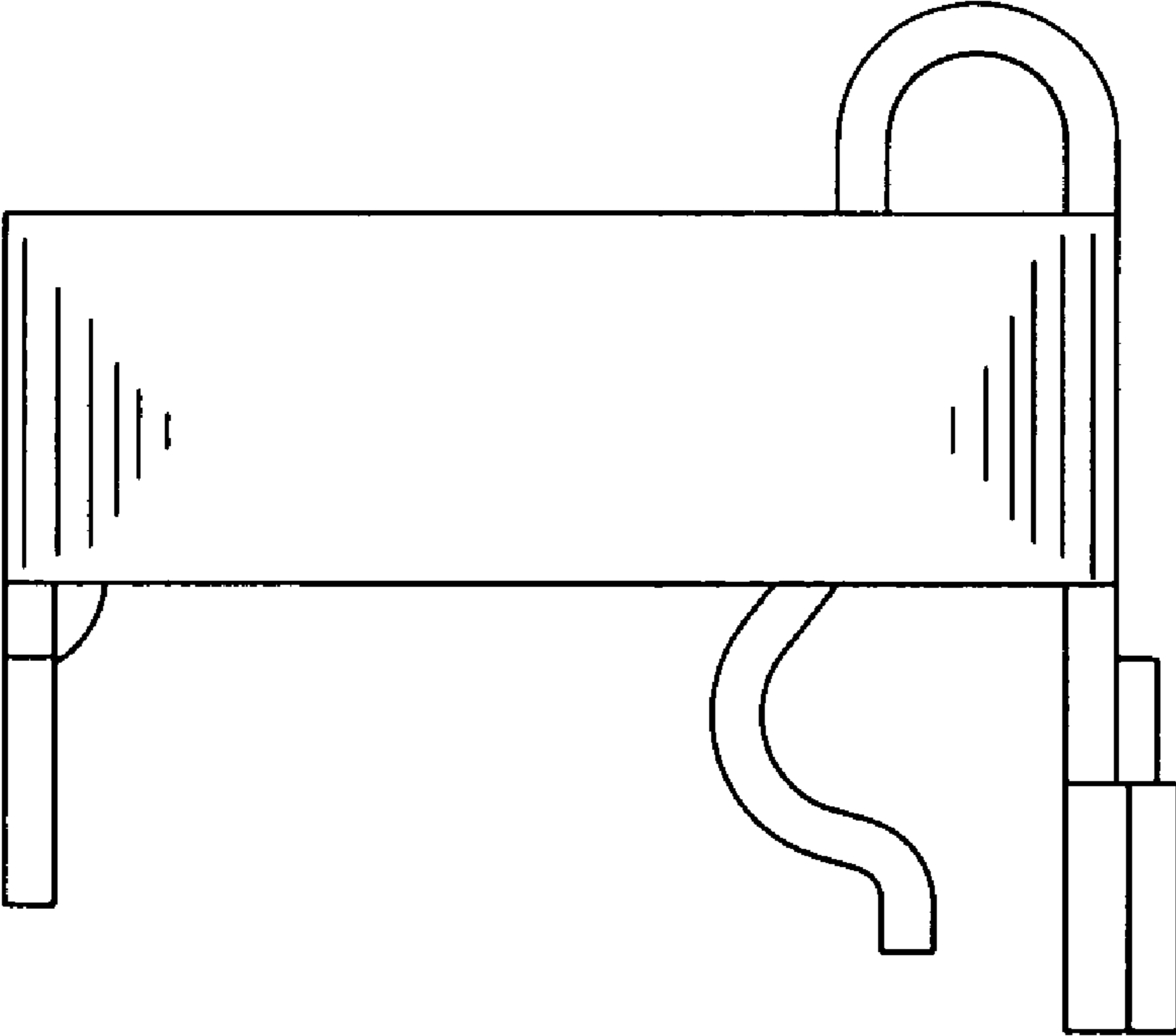


FIG. 7

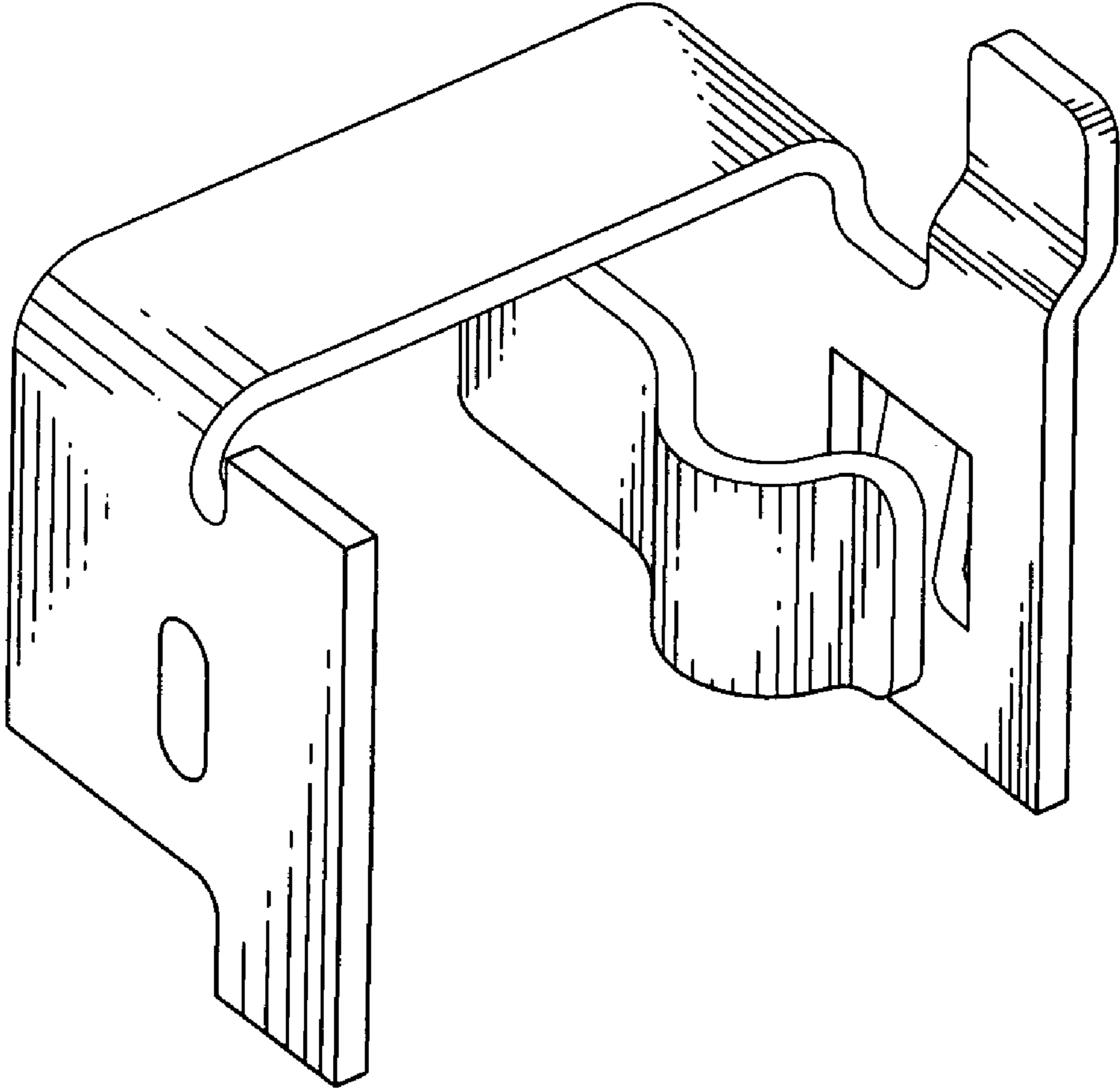


FIG. 8