

US00D601968S

(12) **United States Design Patent**
Chang

(10) **Patent No.:** **US D601,968 S**

(45) **Date of Patent:** **** Oct. 13, 2009**

(54) **PRESS-FIT TERMINAL**

2007/0010139 A1* 1/2007 Chen 439/751

* cited by examiner

(75) Inventor: **Zin-Kain Chang**, Chung Ho (TW)

Primary Examiner—Daniel D Bui

(73) Assignee: **Taiwan Chi Cheng Enterprise Co., Ltd.**, Taipei Hsien (TW)

(74) *Attorney, Agent, or Firm*—Bacon & Thomas, PLLC

(**) Term: **14 Years**

(57) **CLAIM**

(21) Appl. No.: **29/287,547**

The ornamental design for a press-fit terminal, as shown and described.

(22) Filed: **Aug. 21, 2007**

DESCRIPTION

(51) **LOC (9) Cl.** **13-03**

FIG. 1 is a perspective view of a press-fit terminal showing my new design;

(52) **U.S. Cl.** **D13/154**

FIG. 2 is a front elevational view thereof;

(58) **Field of Classification Search** D13/133,
D13/146, 147, 154, 184; 439/834, 845, 849–850,
439/862, 884–885, 887

FIG. 3 is a rear elevational view thereof;

See application file for complete search history.

FIG. 4 is a left side elevational view thereof;

FIG. 5 is a right side elevational view thereof;

(56) **References Cited**

FIG. 6 is a top plan view thereof;

U.S. PATENT DOCUMENTS

FIG. 7 is a bottom plan view thereof;

D280,401 S * 9/1985 Armistead D13/133

FIG. 8 is a cross-sectional view thereof on a larger scale, taken along line “8—8” in FIG. 2; and,

D413,860 S * 9/1999 Matthews D13/133

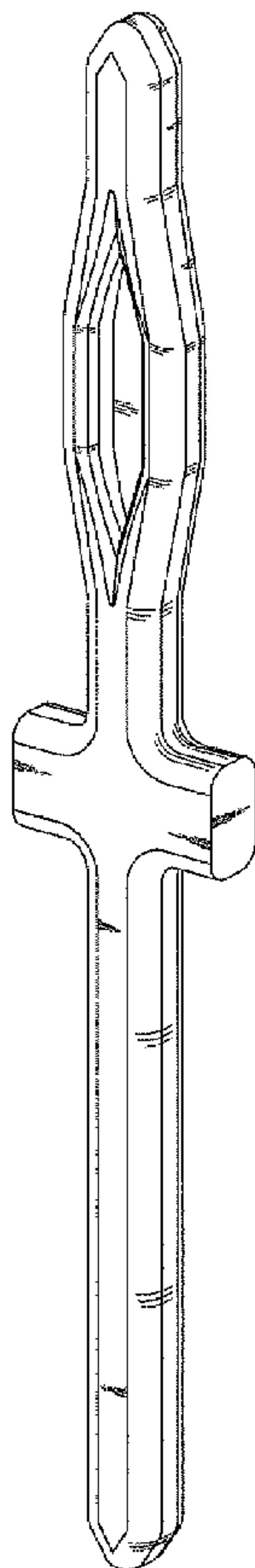
FIG. 9 is a cross-sectional view thereof, taken along line “9—9” in FIG. 2.

6,997,757 B2 * 2/2006 Roshardt 439/751

D551,623 S * 9/2007 Lee et al. D13/133

D594,420 S * 6/2009 Koushiro D13/154

1 Claim, 7 Drawing Sheets



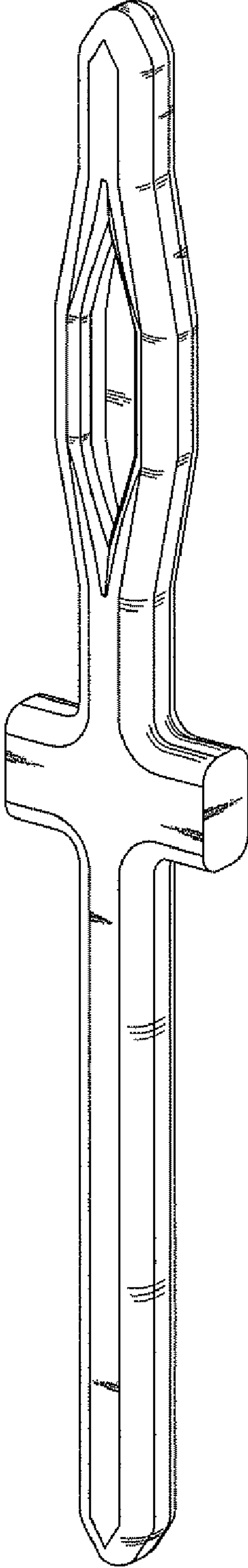


FIG. 1

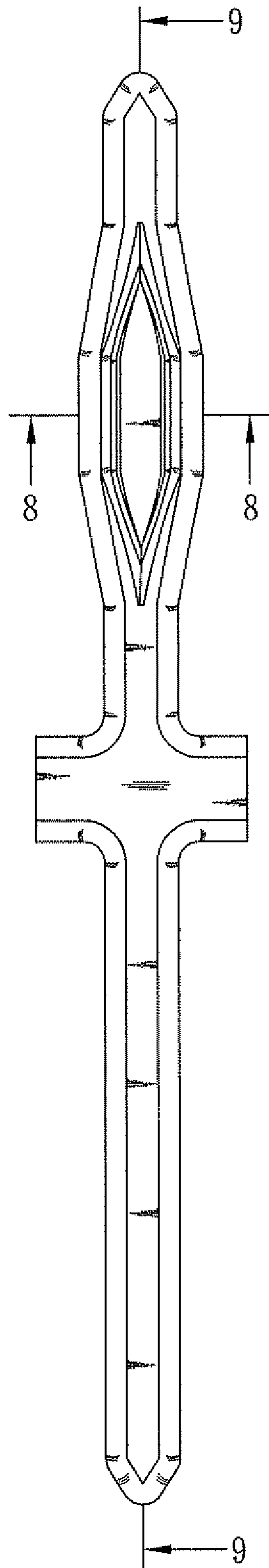


FIG. 2

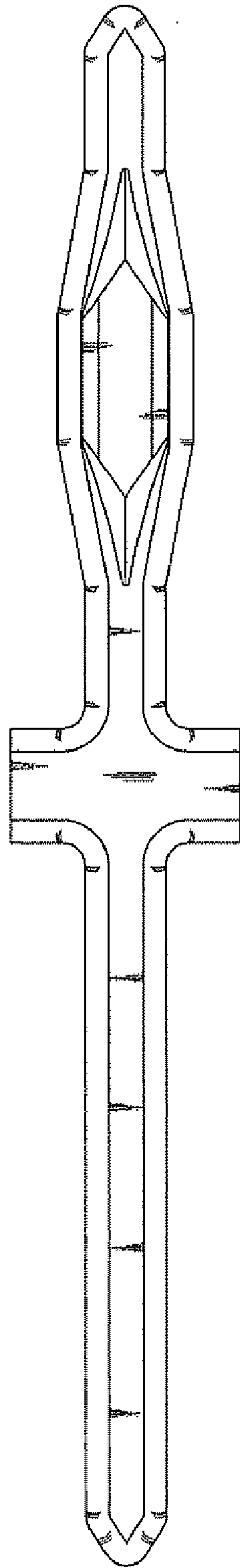


FIG. 3

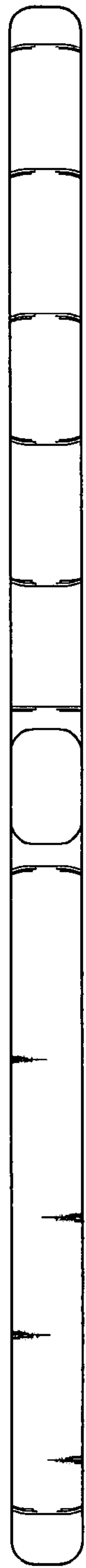


FIG. 4



FIG. 5

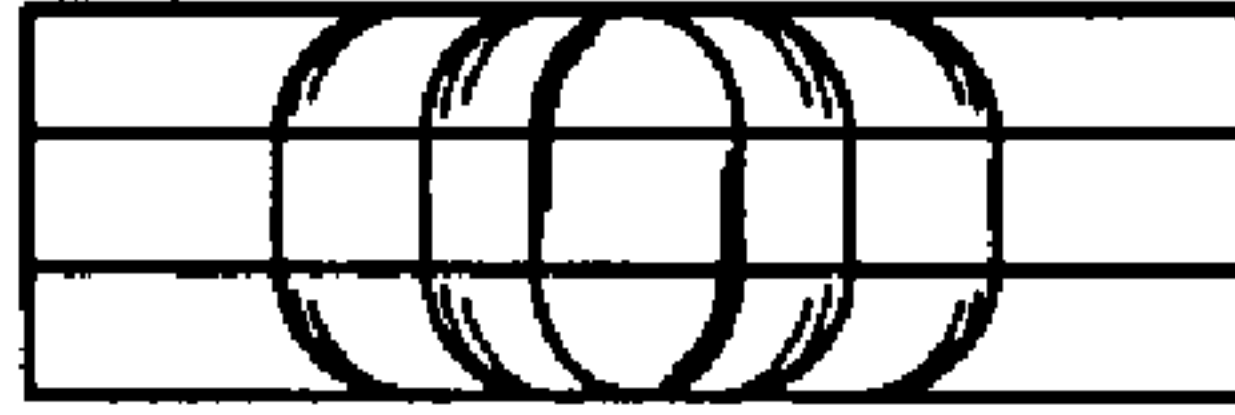


FIG. 6

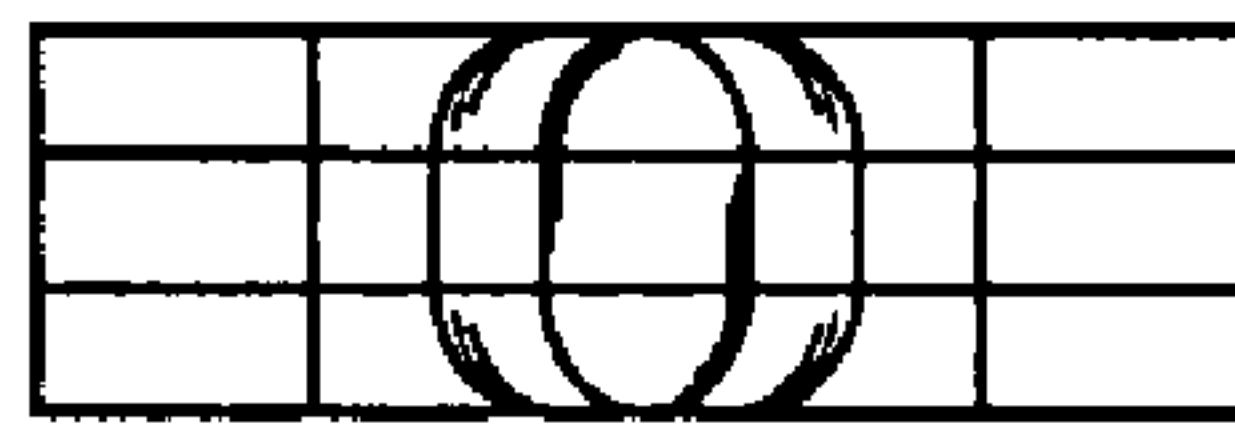


FIG. 7

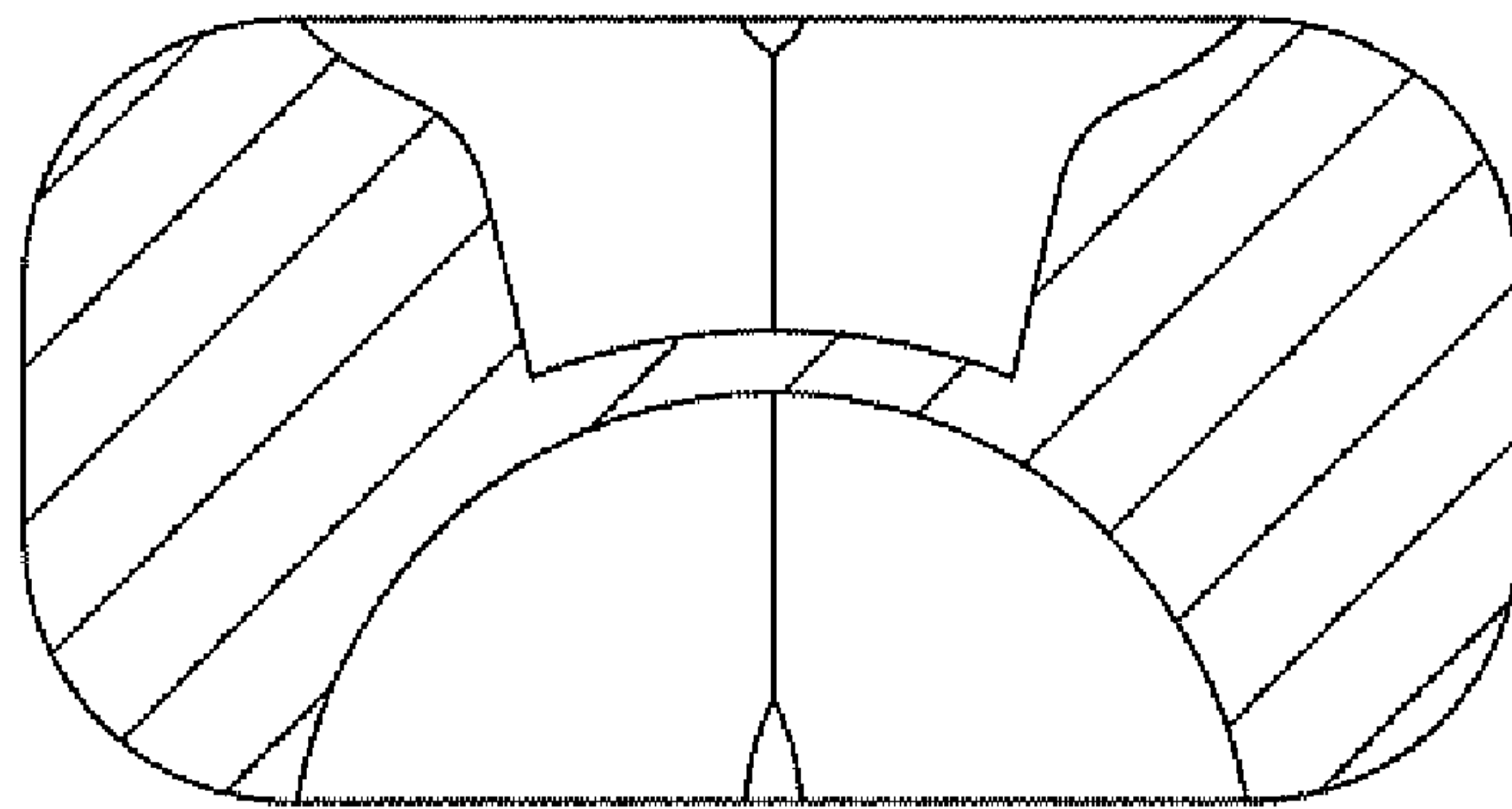


FIG. 8

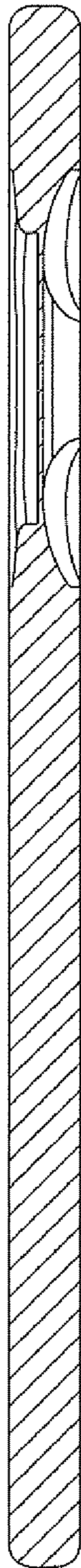


FIG. 9