



US00D601966S

(12) **United States Design Patent**
Shaw

(10) **Patent No.:** **US D601,966 S**
(45) **Date of Patent:** **** Oct. 13, 2009**

(54) **COMPRESSED COMPRESSION COAXIAL CABLE F-CONNECTOR**

(75) Inventor: **Glen David Shaw**, Conway, AR (US)

(73) Assignee: **DS Engineering, LLC**

(**) Term: **14 Years**

(21) Appl. No.: **29/293,208**

(22) Filed: **Nov. 13, 2007**

(51) **LOC (9) Cl.** **13-03**

(52) **U.S. Cl.** **D13/151; D13/133**

(58) **Field of Classification Search** D13/133,
D13/149, 153, 154, 156, 184, 199, 151; 439/578,
439/583, 584, 585, 133, 321, 322, 668; 411/7,
411/11; 426/507; 28/828; 307/10.1; 333/81 A
See application file for complete search history.

(56) **References Cited**

U.S. PATENT DOCUMENTS

D148,897 S	3/1948	Ward	
D181,302 S	10/1957	Logan	
3,522,576 A	8/1970	Cairns	
3,686,623 A	8/1972	Nijman	
3,710,005 A	1/1973	French	
D241,341 S	9/1976	Oxley	
4,046,052 A *	9/1977	Nordstrom	411/1
4,593,964 A	6/1986	Forney, Jr.	
4,684,201 A	8/1987	Hutter	
4,746,305 A	5/1988	Nomura	
RE32,787 E	11/1988	Gallusser	
4,834,675 A	5/1989	Samchisen	
4,936,788 A	6/1990	Lin	
D313,222 S	12/1990	Takizawa	
4,990,106 A	2/1991	Szegda	
5,011,422 A	4/1991	Yeh	
5,024,606 A	6/1991	Ming	
5,043,696 A	8/1991	Wang	
5,078,623 A	1/1992	Wang	
5,088,936 A	2/1992	Wang	

5,112,250 A	5/1992	Wang	
D327,872 S	7/1992	McMills	
5,167,525 A	12/1992	Wang	
5,167,536 A	12/1992	Wang	
5,192,226 A	3/1993	Wang	
5,219,299 A	6/1993	Wang	
5,226,838 A	7/1993	Hsu	
D339,568 S	9/1993	Salz	
5,321,207 A	6/1994	Huang	
5,340,325 A	8/1994	Pai	
5,383,798 A	1/1995	Lin	
5,387,116 A	2/1995	Wang	
5,387,127 A	2/1995	Wang	
5,389,012 A	2/1995	Huang	
5,397,252 A	3/1995	Wang	
5,413,502 A	5/1995	Wang	
5,430,618 A	7/1995	Huang	
5,438,251 A	8/1995	Chen	
5,456,614 A *	10/1995	Szegda	439/321

(Continued)

Primary Examiner—Daniel D Bui

Assistant Examiner—Thomas J Johannes

(74) *Attorney, Agent, or Firm*—Stephen D. Carver

(57) **CLAIM**

The ornamental the design for a compressed compression coaxial cable F-connector, as shown and described.

DESCRIPTION

FIG. 1 is an isometric view of a compressed compression coaxial cable F-connector showing my new design;

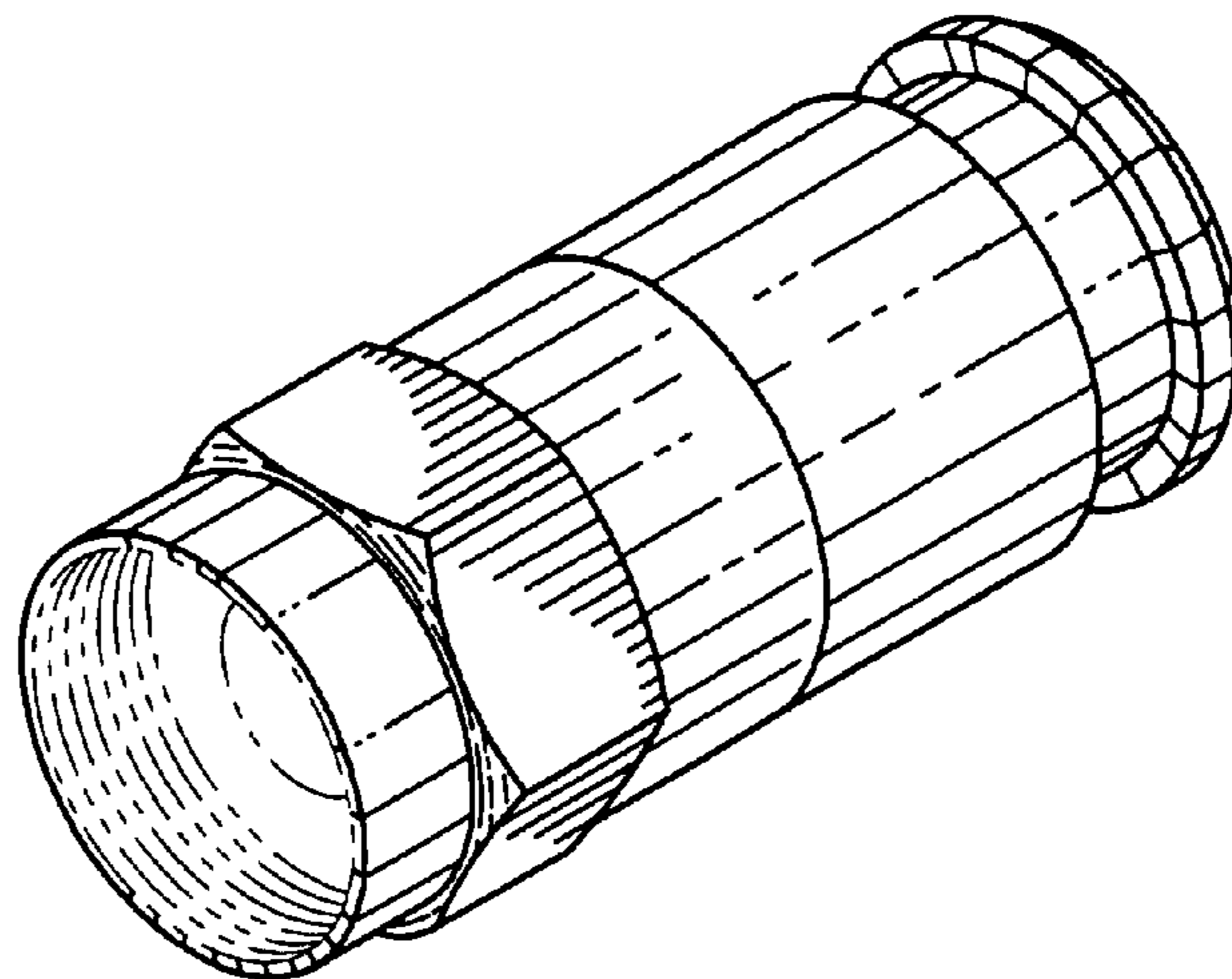
FIG. 2 is a side view thereof; the opposite side and the left and right elevation views comprise mirror images thereto;

FIG. 3 is a front end view of thereof; and,

FIG. 4 is a rear end view thereof.

The internal features shown in dot-dot-dash broken lines appearing in the front and rear end views of FIGS. 3 and 4 respectively do not constitute any part of the claimed design.

1 Claim, 2 Drawing Sheets



US D601,966 S

U.S. PATENT DOCUMENTS						
			6,848,940	B2	2/2005	Montena
			6,860,751	B1	3/2005	Huang
			D503,685	S	4/2005	Montena
			D504,113	S	4/2005	Montena
			D504,114	S	4/2005	Montena
			D504,402	S	4/2005	Montena
			6,881,075	B2	4/2005	Huang
			6,884,113	B1	4/2005	Montena
			D505,391	S	5/2005	Rodrigues
			6,887,090	B2	5/2005	Lin
			D506,446	S	6/2005	Montena
			6,908,337	B1	6/2005	Li
			6,910,919	B1	6/2005	Hung
			D507,242	S	7/2005	Montena
			6,929,501	B2	8/2005	Huang
			6,929,507	B2	8/2005	Lin
			6,935,874	B1	8/2005	Fang
			6,935,878	B2	8/2005	Hsu
			6,948,969	B2	9/2005	Huang
			6,948,973	B1	9/2005	Hsu
			6,951,469	B1	10/2005	Lin
			6,956,464	B2	10/2005	Wang
			D511,497	S	11/2005	Murphy
			D511,498	S	11/2005	Holliday
			D512,024	S	11/2005	Murphy
			D512,689	S	12/2005	Murphy
			D513,406	S	1/2006	Rodrigues
			D513,736	S	1/2006	Fox
			D514,071	S	1/2006	Vahey
			D515,037	S	2/2006	Fox
			7,001,204	B1	2/2006	Lin
			7,004,765	B2	2/2006	Hsu
			7,004,777	B2	2/2006	Hsu
			D517,018	S *	3/2006	Montena D13/151
			D517,496	S *	3/2006	Montena D13/151
			D518,772	S	4/2006	Fox
			D519,076	S	4/2006	Fox
			D519,451	S	4/2006	Fox
			D519,452	S	4/2006	Rodrigues
			D519,453	S	4/2006	Rodrigues
			D519,463	S	4/2006	Tamezane
			7,021,965	B1	4/2006	Montena
			D521,454	S	5/2006	Murphy
			D521,930	S	5/2006	Fox
			7,063,551	B1	6/2006	Lin
			D535,259	S	1/2007	Rodrigues
			7,192,308	B2	3/2007	Rodrigues
			D543,948	S	6/2007	Montena
			D544,837	S	6/2007	Disbennett
			7,241,172	B2	7/2007	Rodrigues
			7,354,307	B2 *	4/2008	Chee et al. 439/584
			D588,991	S *	3/2009	Holliday D13/151
			2002/0013088	A1 *	1/2002	Rodrigues et al. 439/578
			2002/0146935	A1	10/2002	Wong
			2003/0092319	A1	5/2003	Hung
			2003/0194902	A1	10/2003	Huang
			2003/0236027	A1	12/2003	Wang
			2004/0053533	A1	3/2004	Huang
			2004/0067688	A1	4/2004	Cheng
			2004/0102095	A1	5/2004	Huang
			2004/0110416	A1 *	6/2004	Montena et al. 439/578
			2004/0147164	A1	7/2004	Li
			2004/0171297	A1	9/2004	Hsu
			2004/0171315	A1	9/2004	Liao
			2004/0224556	A1	11/2004	Qin
			2005/0009379	A1	1/2005	Huang
			2005/0020121	A1	1/2005	Lin
			2005/0032410	A1	2/2005	Huang
			2005/0070145	A1	3/2005	Huang
			2005/0075012	A1	4/2005	Hsu
			2005/0136735	A1 *	6/2005	Rodrigues et al. 439/578
			2005/0153587	A1	7/2005	Hsu
			2005/0159030	A1	7/2005	Hsu

US D601,966 S

Page 3

2005/0186852	A1	8/2005	Hsu	2006/0094300	A1	5/2006	Hsu
2005/0186853	A1	8/2005	Hsu	2006/0121753	A1	6/2006	Chiang
2005/0202690	A1	9/2005	Lien	2006/0121763	A1	6/2006	Chiang
2005/0202699	A1	9/2005	Hsu	2006/0123625	A1*	6/2006	Montena 29/828
2005/0233632	A1	10/2005	Hsu	2007/0042642	A1*	2/2007	Montena et al. 439/578
2005/0250357	A1	11/2005	Chen				
2005/0260894	A1	11/2005	Chen				

* cited by examiner

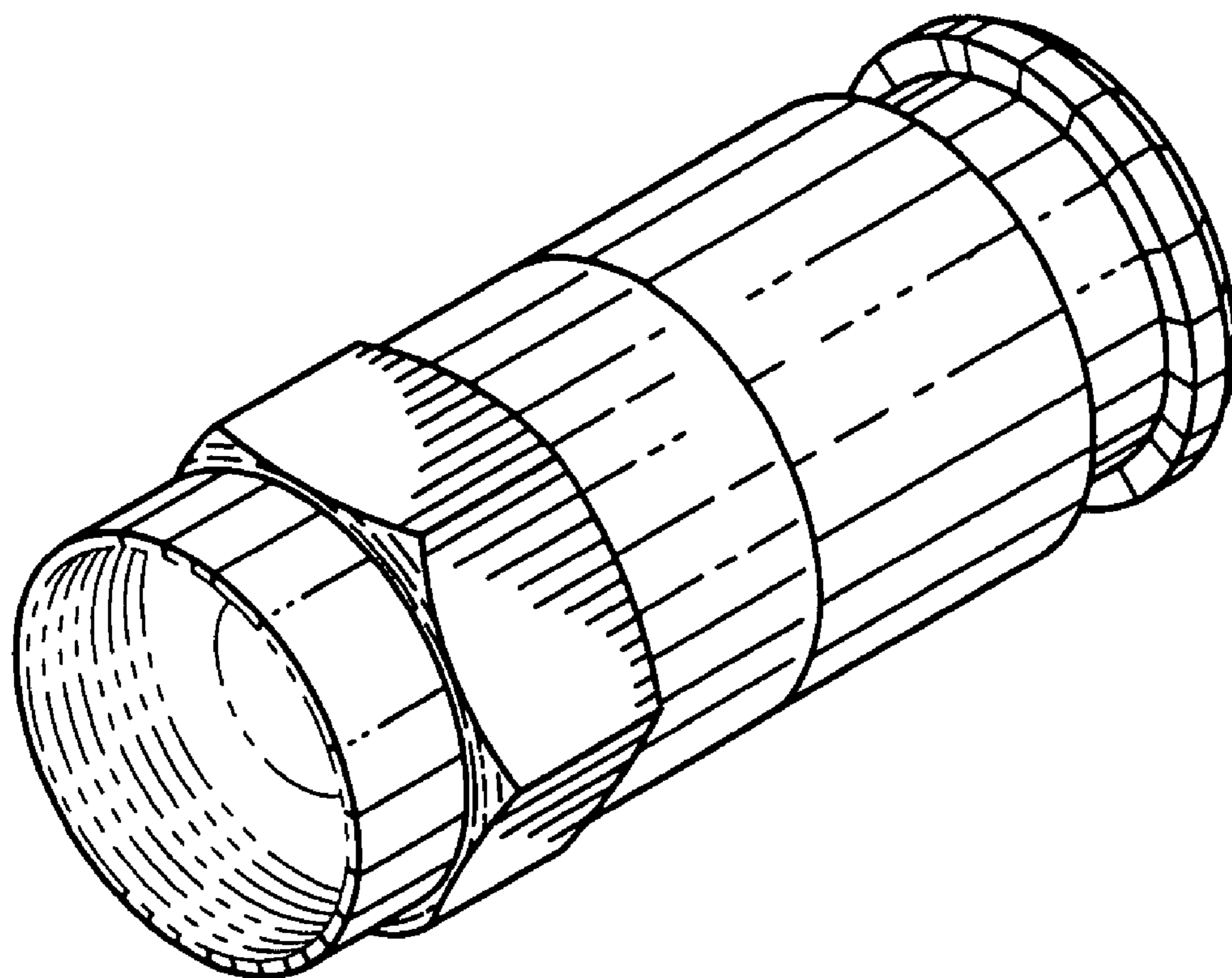


Fig. 1

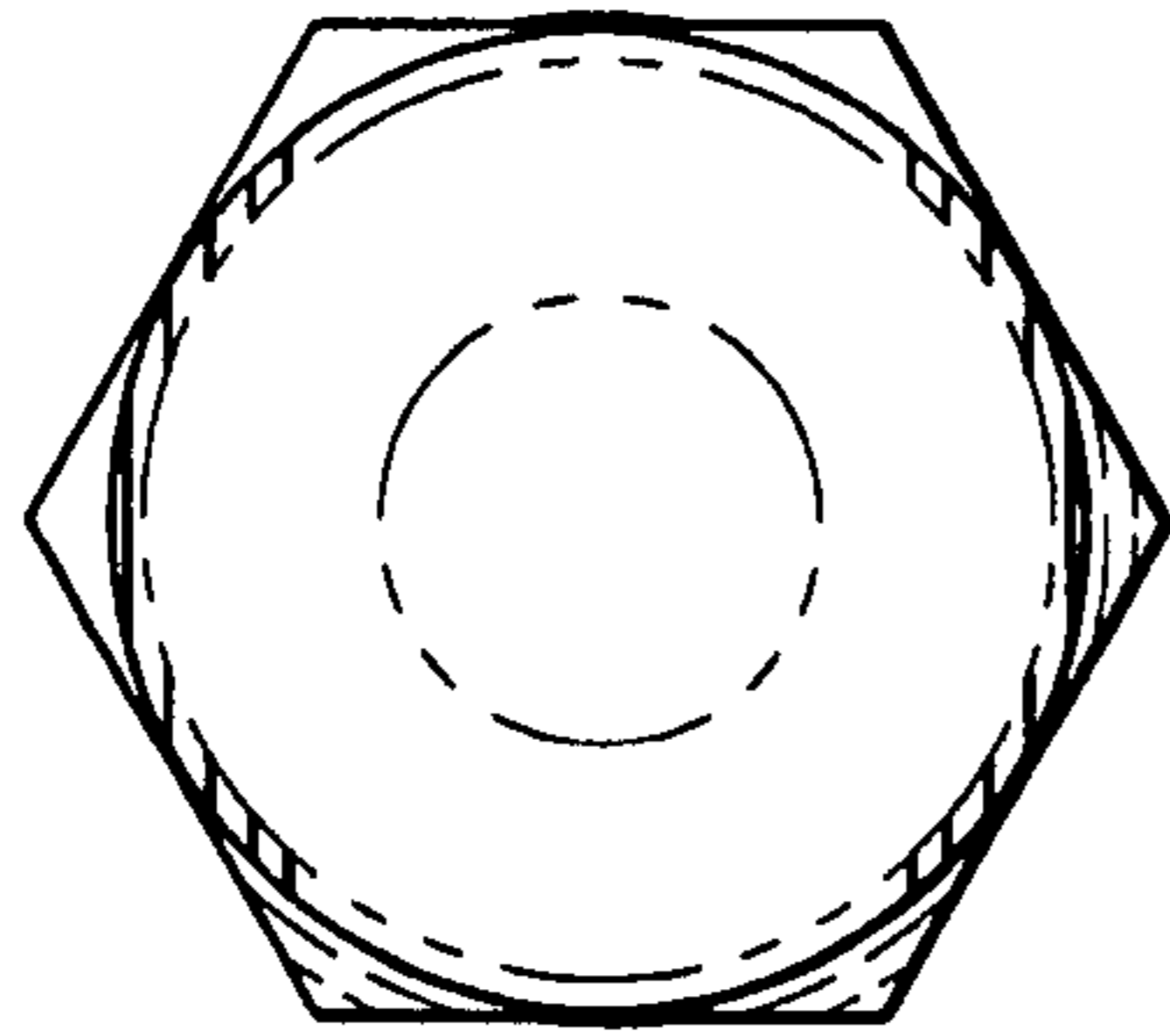


Fig. 3

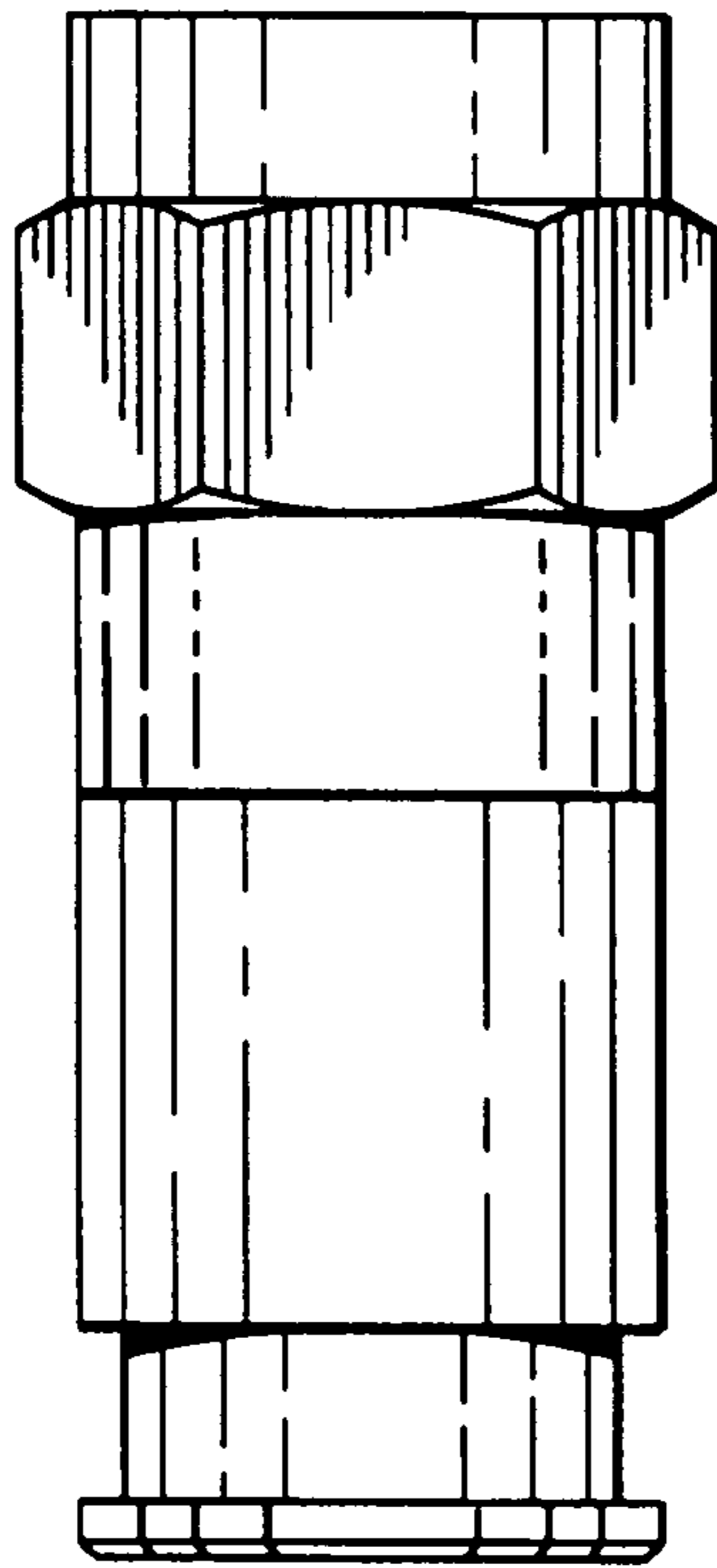


Fig. 2

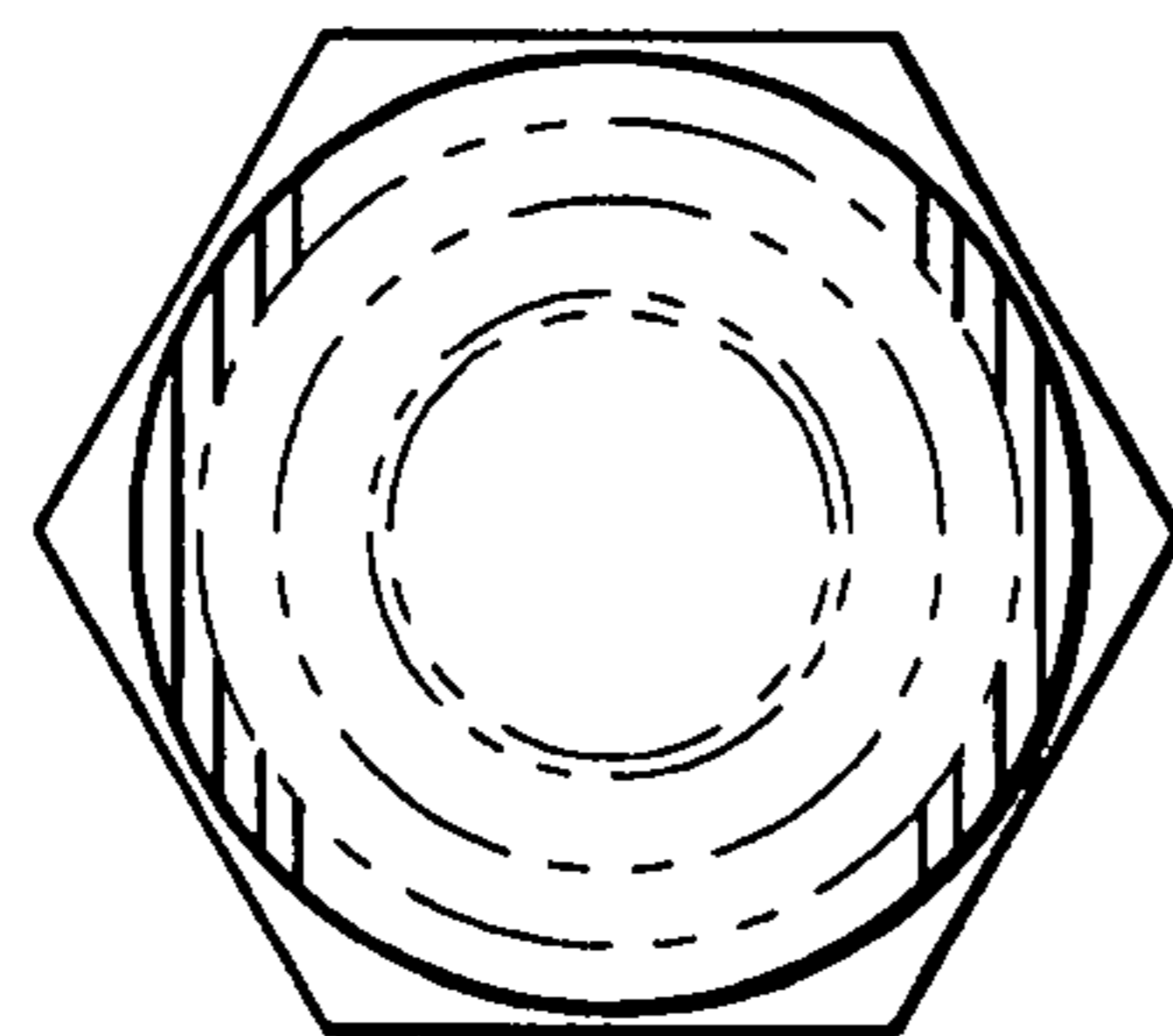


Fig. 4