



US00D601965S

(12) **United States Design Patent**
Rupp et al.

(10) **Patent No.:** **US D601,965 S**

(45) **Date of Patent:** **** Oct. 13, 2009**

(54) **CONNECTOR WITH PINS**

(75) Inventors: **Bernhard Rupp**, Kehsecker (DE);
Andreas Zimmermann, Weilder Stadt
(DE)

(73) Assignee: **ITT Manufacturing Enterprises, Inc.**,
Wilmington, DE (US)

(**) Term: **14 Years**

(21) Appl. No.: **29/313,919**

(22) Filed: **Feb. 19, 2009**

(30) **Foreign Application Priority Data**

Sep. 17, 2008 (DE) 001004089

(51) **LOC (9) Cl.** **13-03**

(52) **U.S. Cl.** **D13/147**

(58) **Field of Classification Search** D13/133,
D13/146-147, 154, 184; 174/67; 220/242;
439/133, 142, 314, 318, 677, 680, 695
See application file for complete search history.

(56) **References Cited**

U.S. PATENT DOCUMENTS

2,636,068 A * 4/1953 Perkins 439/197
2,688,123 A * 8/1954 Benham et al. 439/682
4,218,110 A * 8/1980 Giannaula et al. 439/323

D265,189 S * 6/1982 Eriksson et al. D10/114
D465,458 S * 11/2002 Zhang et al. D13/147
D466,083 S * 11/2002 Zhang et al. D13/147
D478,870 S * 8/2003 Fang D13/147

* cited by examiner

Primary Examiner—Daniel D Bui

(74) *Attorney, Agent, or Firm*—Peter Van Winkle

(57) **CLAIM**

The ornamental design for a connector with pins, as shown and described.

DESCRIPTION

FIG. 1 is a front, top and left side perspective view of a connector with pins showing our new design.

FIG. 2 is a front elevation view thereof.

FIG. 3 is a rear elevation view thereof.

FIG. 4 is a left side elevation view thereof.

FIG. 5 is a right side view thereof.

FIG. 6 is a top view thereof; and,

FIG. 7 is a bottom view thereof.

The broken line portion in the drawing views is included to show unclaimed subject matter only and forms no part of the claimed design.

1 Claim, 2 Drawing Sheets

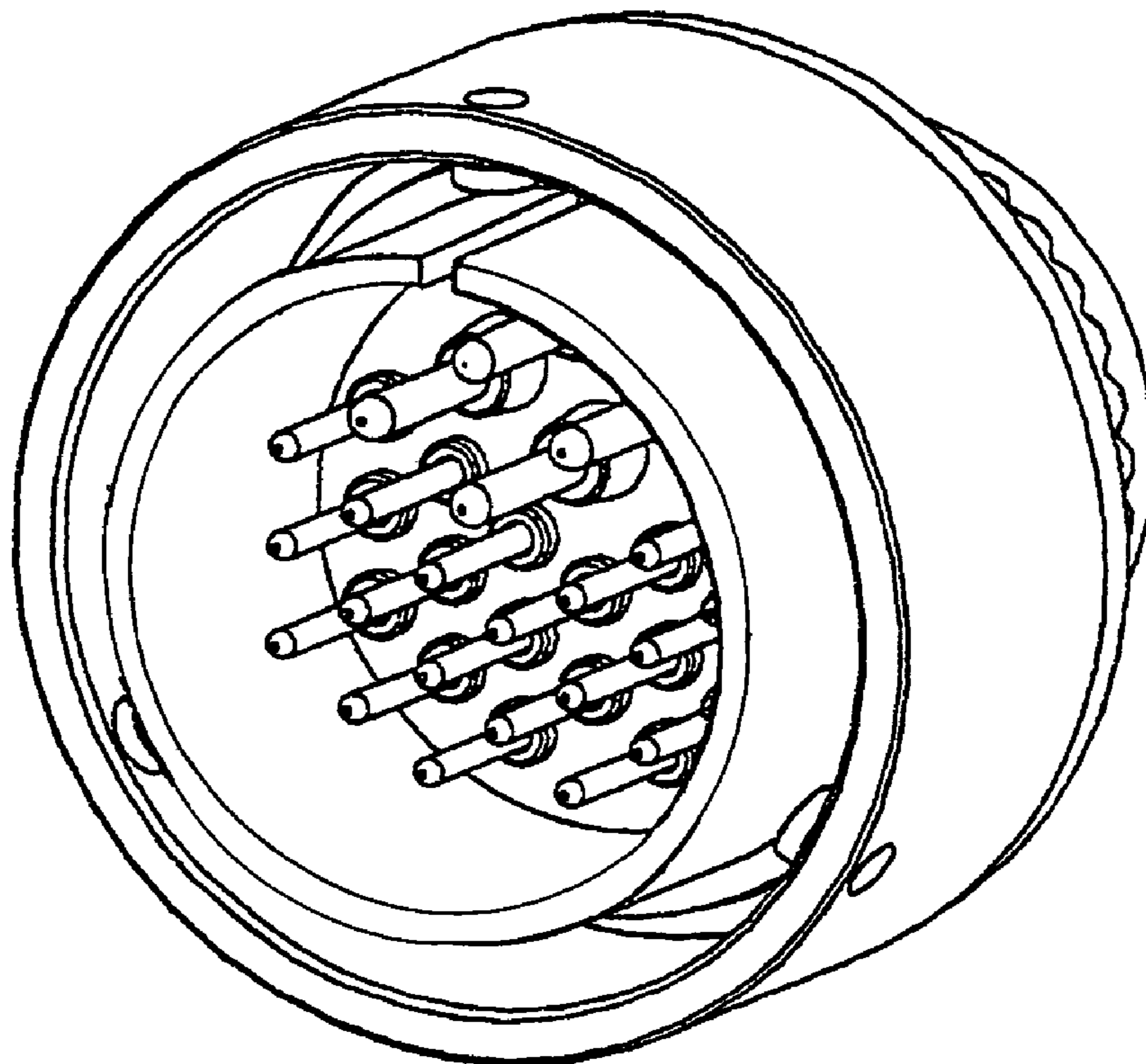


FIG. 1

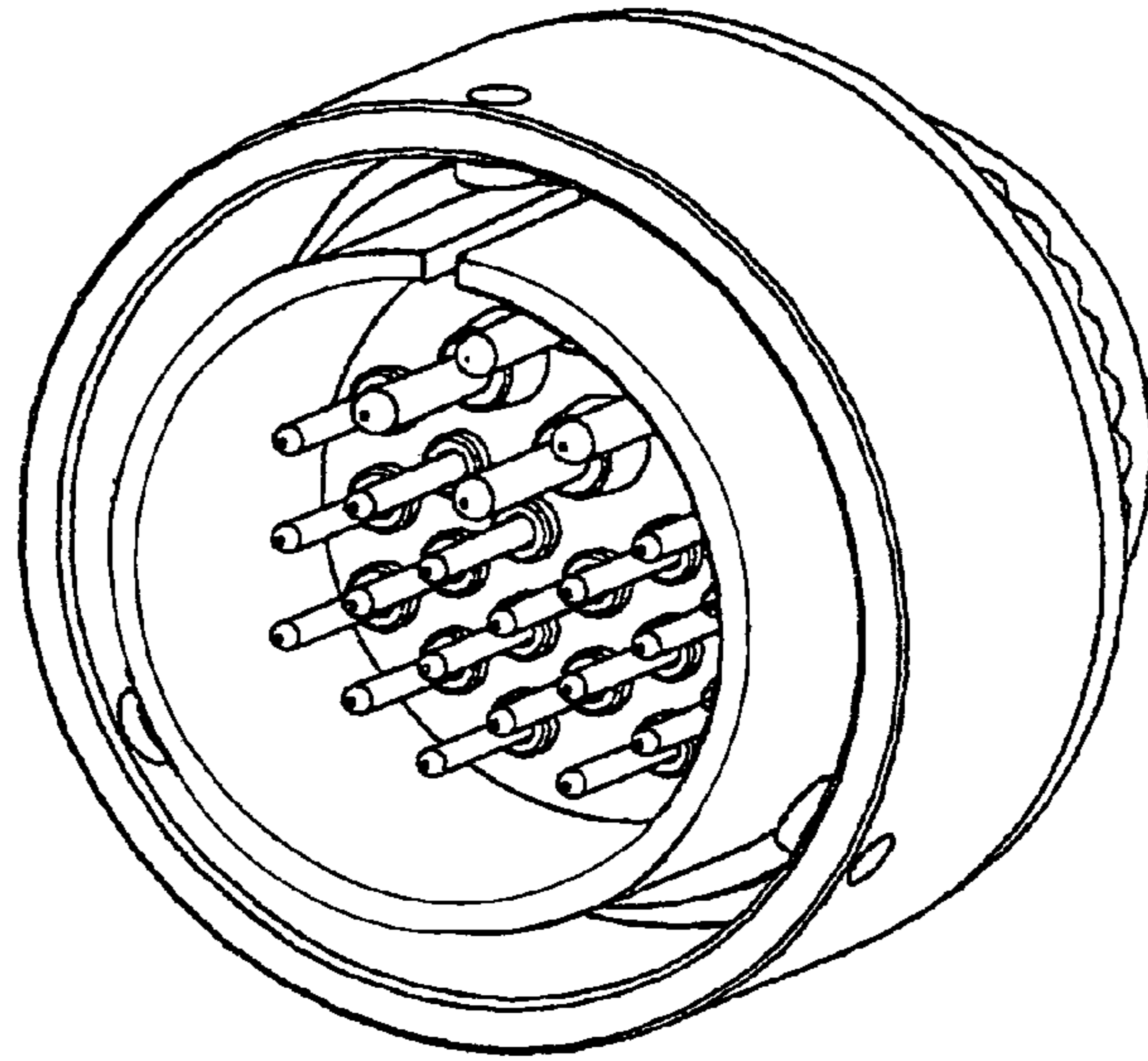


FIG. 2

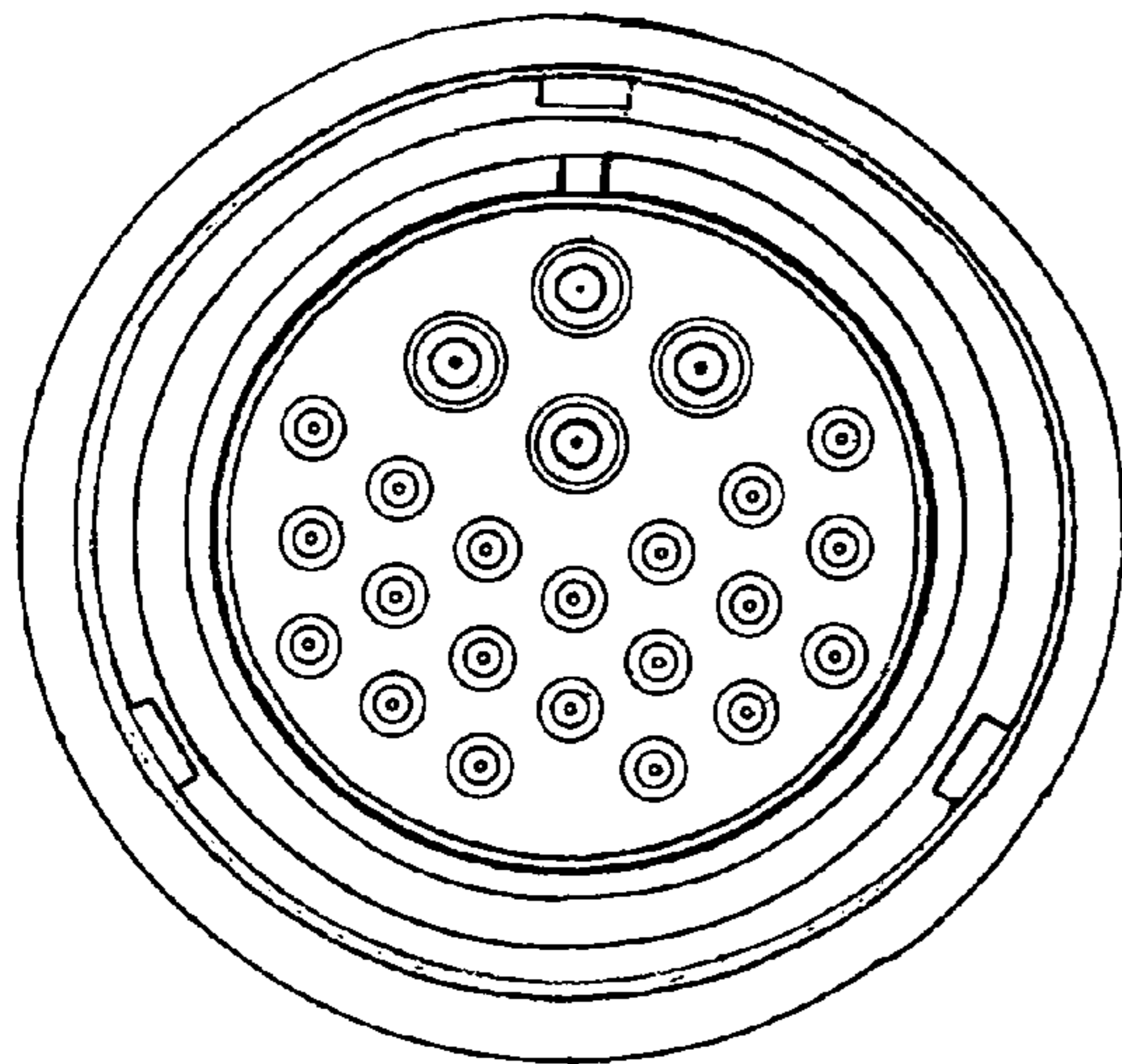


FIG. 3

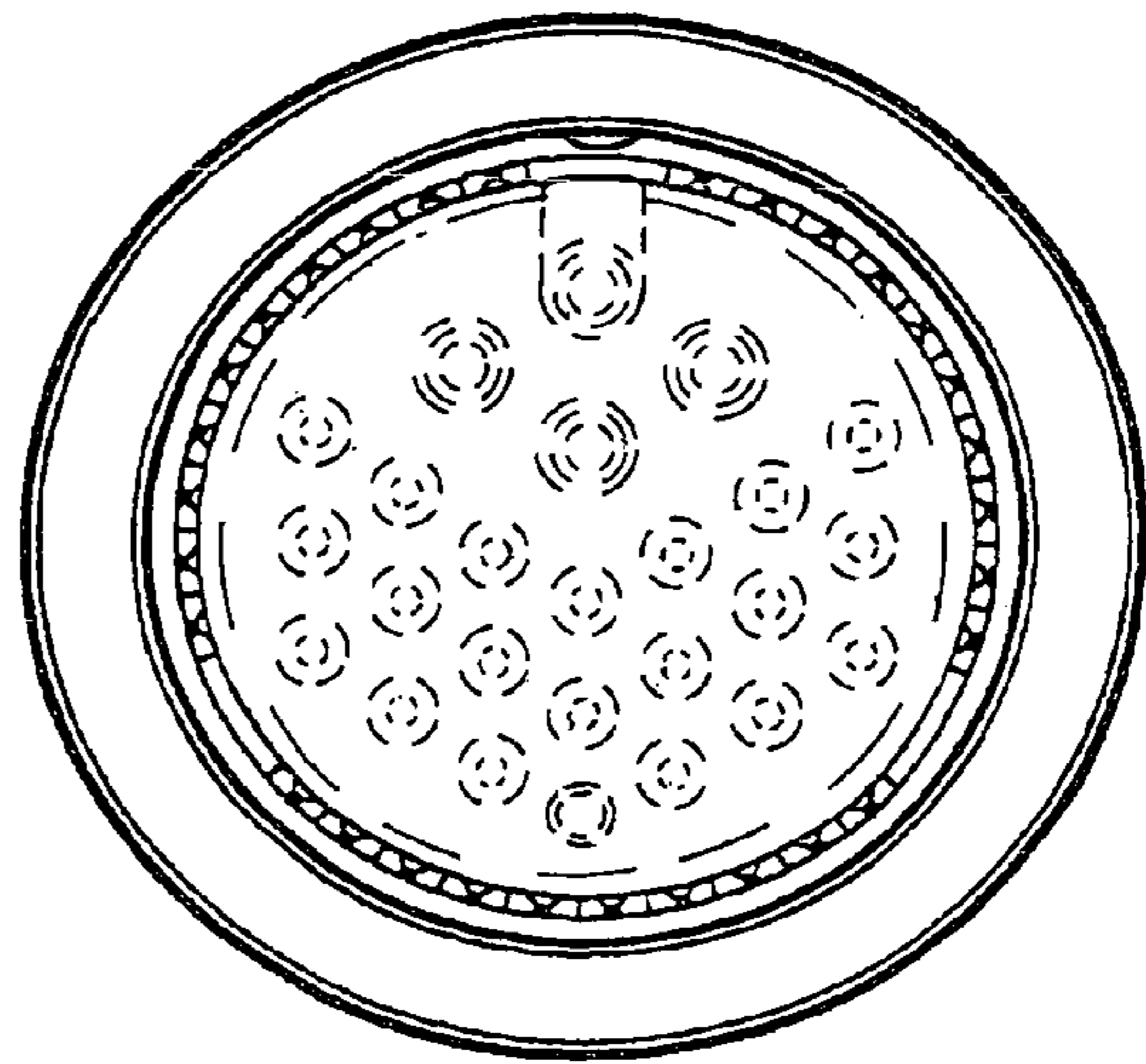


FIG. 6

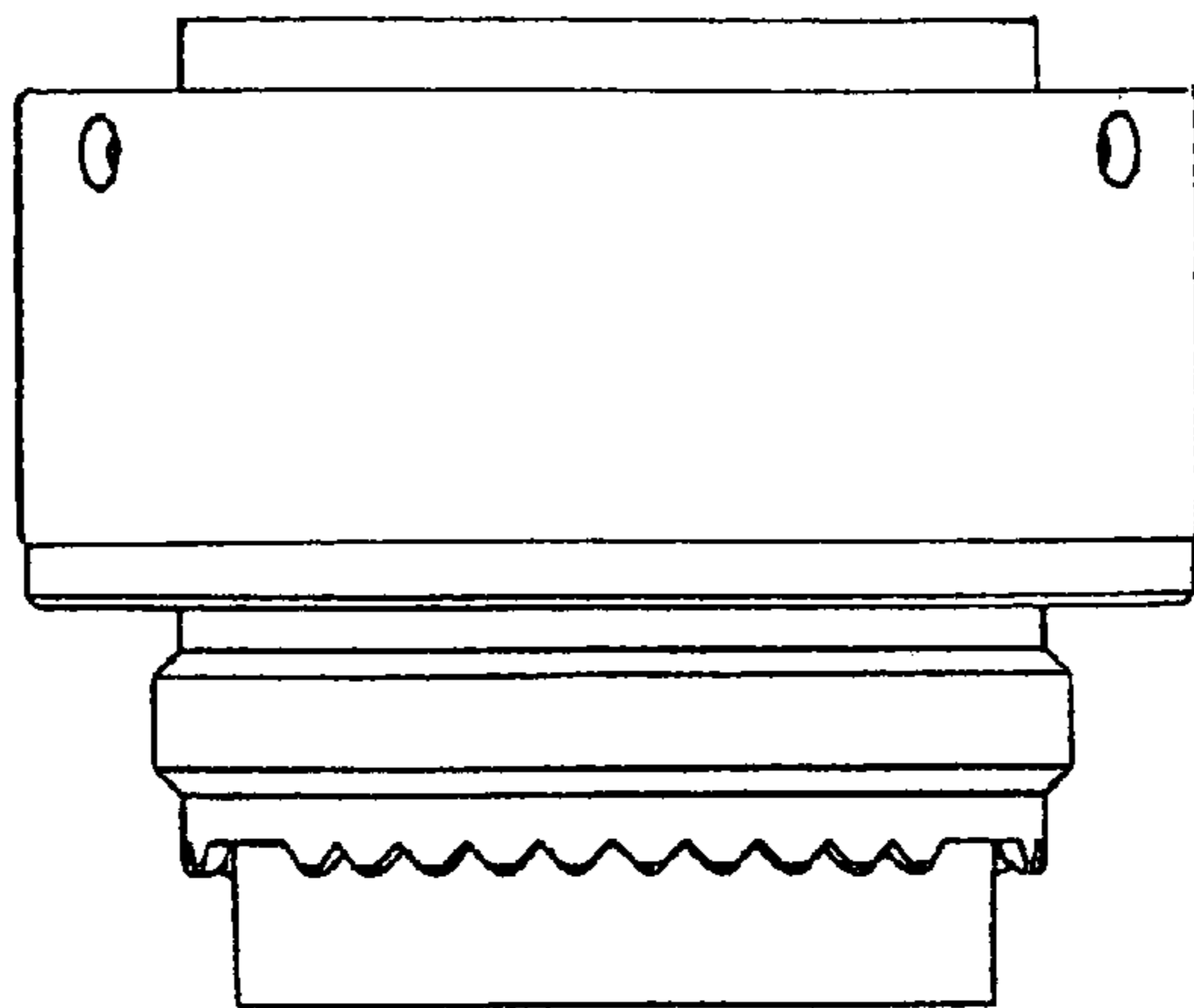


FIG. 4

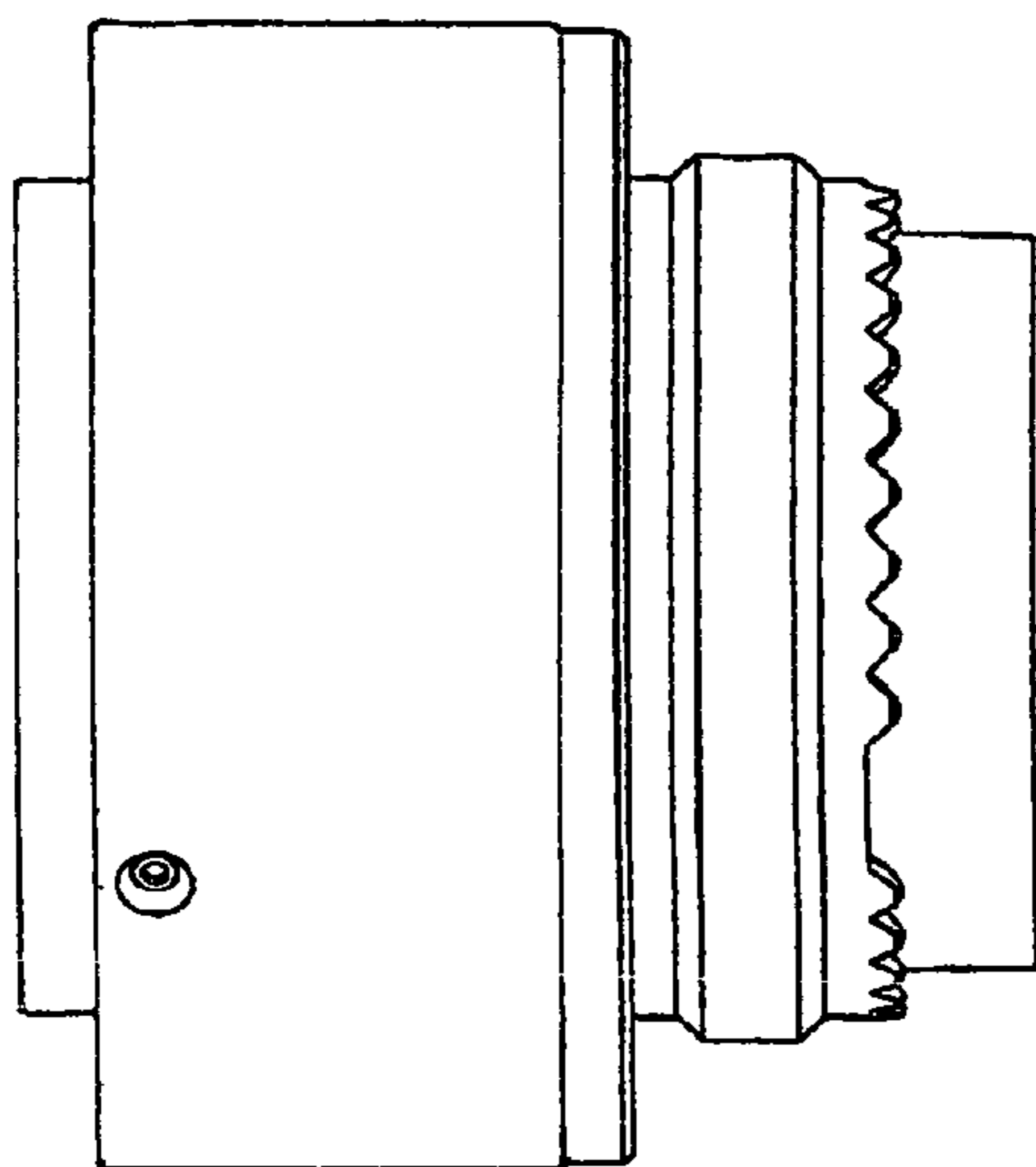


FIG. 5

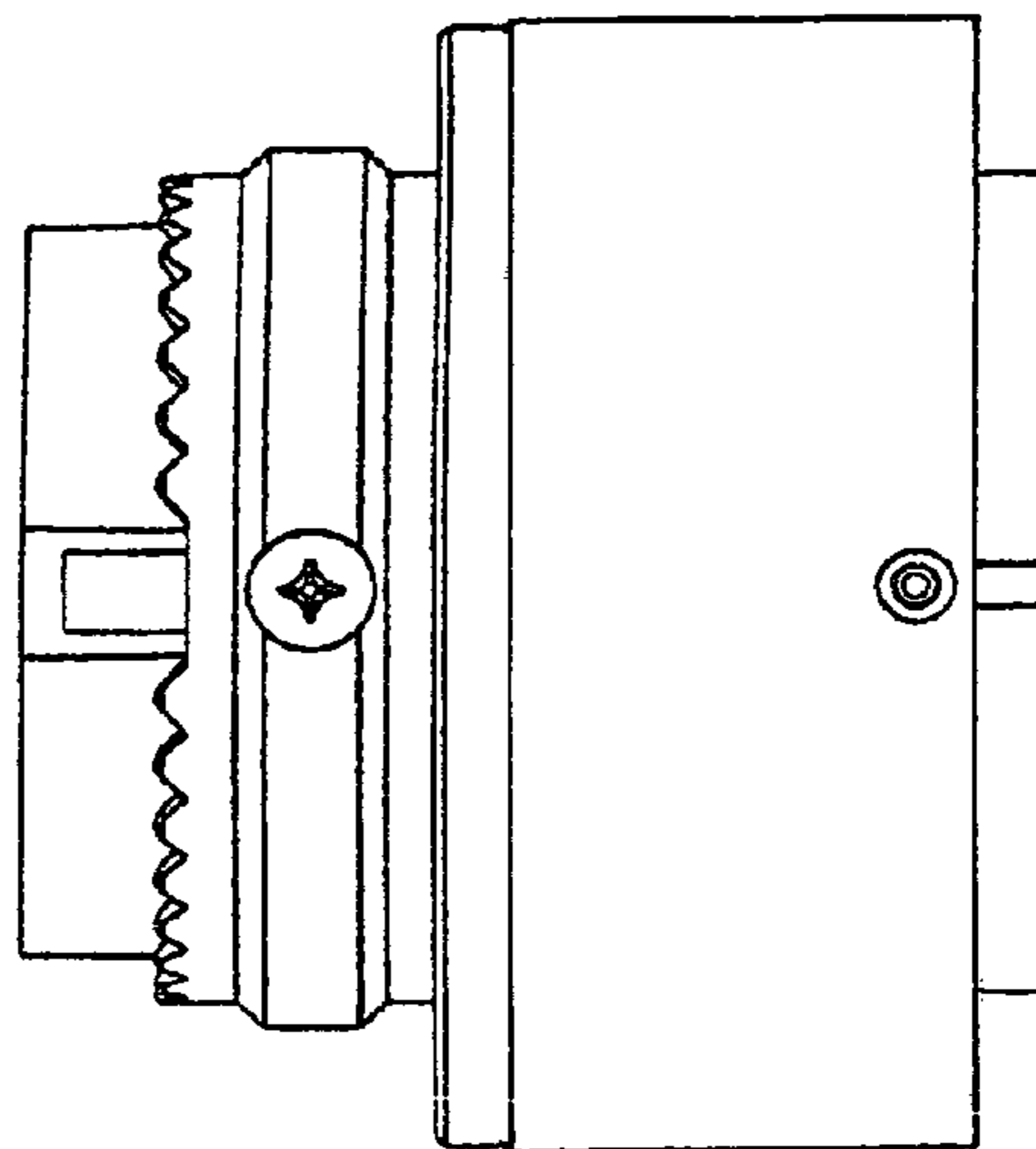


FIG. 7

