



US00D601963S

(12) **United States Design Patent**  
**Fukano et al.**

(10) **Patent No.:** **US D601,963 S**  
(45) **Date of Patent:** **\*\* Oct. 13, 2009**

(54) **CONTROLLER OF ELECTRICAL ACTUATOR**

(75) Inventors: **Yoshihiro Fukano**, Moriya (JP);  
**Takeshi Hirose**, Moriya (JP)

(73) Assignee: **SMC Kabushiki Kaisha**, Tokyo (JP)

(\*\*) Term: **14 Years**

(21) Appl. No.: **29/294,751**

(22) Filed: **Jan. 25, 2008**

(51) **LOC (9) Cl.** ..... **13-03**

(52) **U.S. Cl.** ..... **D13/146**

(58) **Field of Classification Search** ..... D13/133,  
D13/146-147, 153, 154, 184; 439/135, 180,  
439/278, 290-292, 295, 483, 527, 529, 533,  
439/540.1, 660, 668, 680, 682, 686, 892,  
439/894

See application file for complete search history.

(56) **References Cited**

**U.S. PATENT DOCUMENTS**

5,593,315 A \* 1/1997 Kinoshita et al. .... 439/459  
D463,372 S \* 9/2002 Sato et al. .... D13/147

D477,814 S \* 7/2003 Droulin et al. .... D13/162.1  
D579,877 S \* 11/2008 Carpenter et al. .... D13/147  
2006/0052006 A1 \* 3/2006 Amano et al. .... 439/638

\* cited by examiner

*Primary Examiner*—Daniel D Bui

(74) *Attorney, Agent, or Firm*—Frishauf, Holtz, Goodman &  
Chick, P.C.

(57) **CLAIM**

The ornamental design for a controller of electrical actuator,  
as shown.

**DESCRIPTION**

FIG. 1 is a top, front and left-side perspective view of a  
controller of electrical actuator showing our new design;

FIG. 2 is a front view thereof;

FIG. 3 is a rear view thereof;

FIG. 4 is a top plan view thereof;

FIG. 5 is a bottom plan view thereof;

FIG. 6 is a left side view thereof; and,

FIG. 7 is a right side view thereof.

**1 Claim, 7 Drawing Sheets**

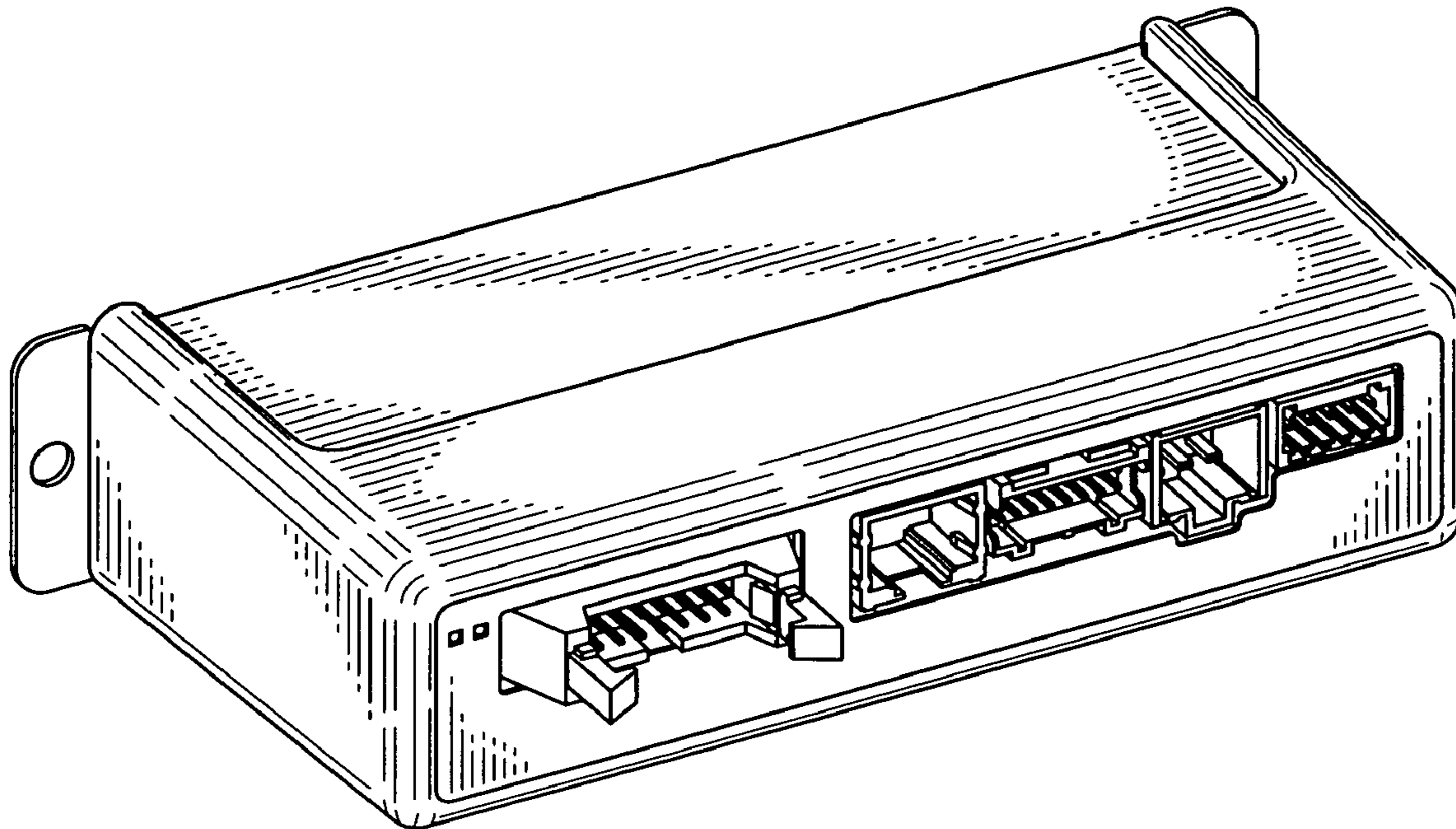


FIG. 1

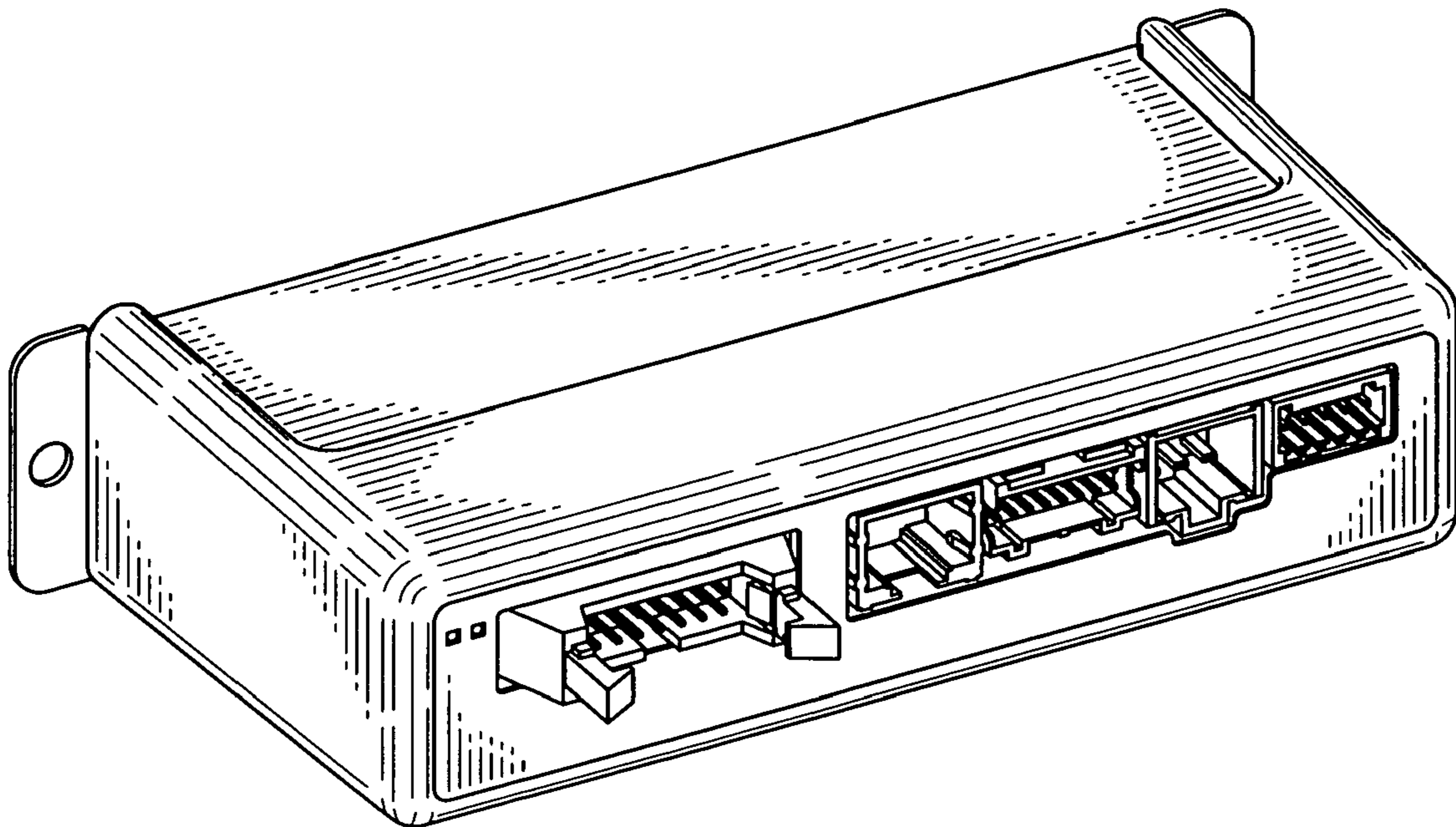


FIG. 2

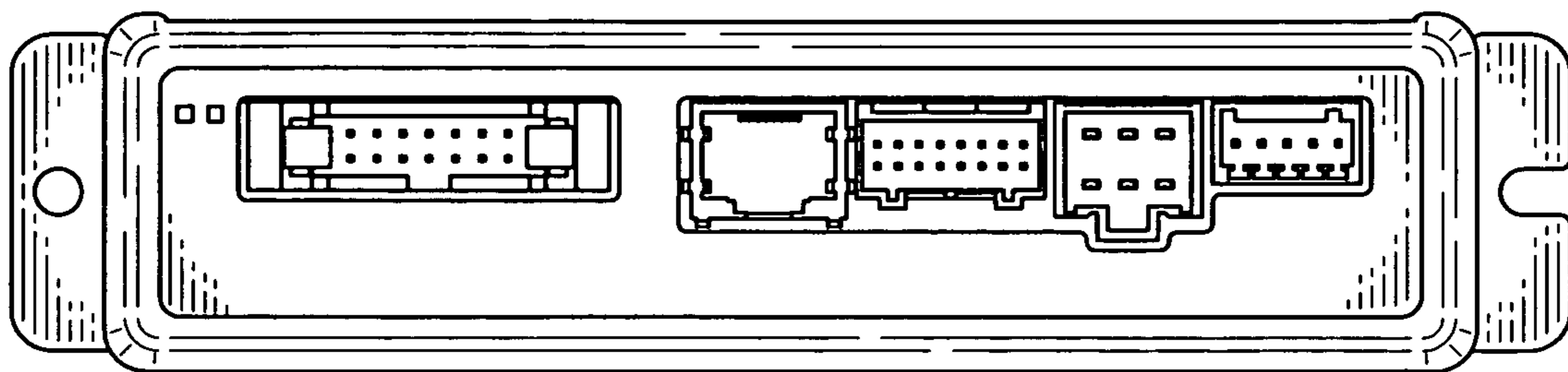


FIG. 3

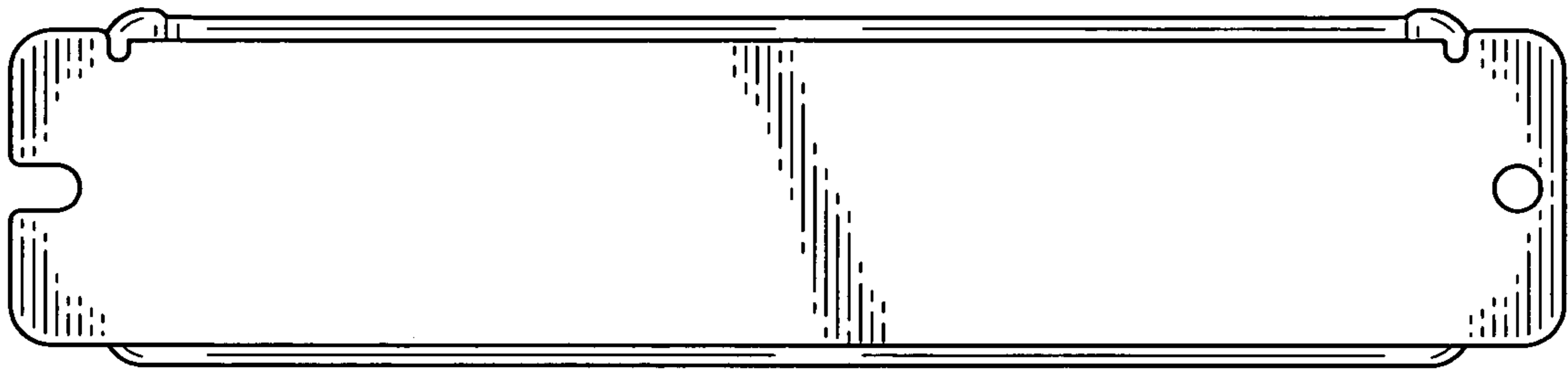


FIG. 4

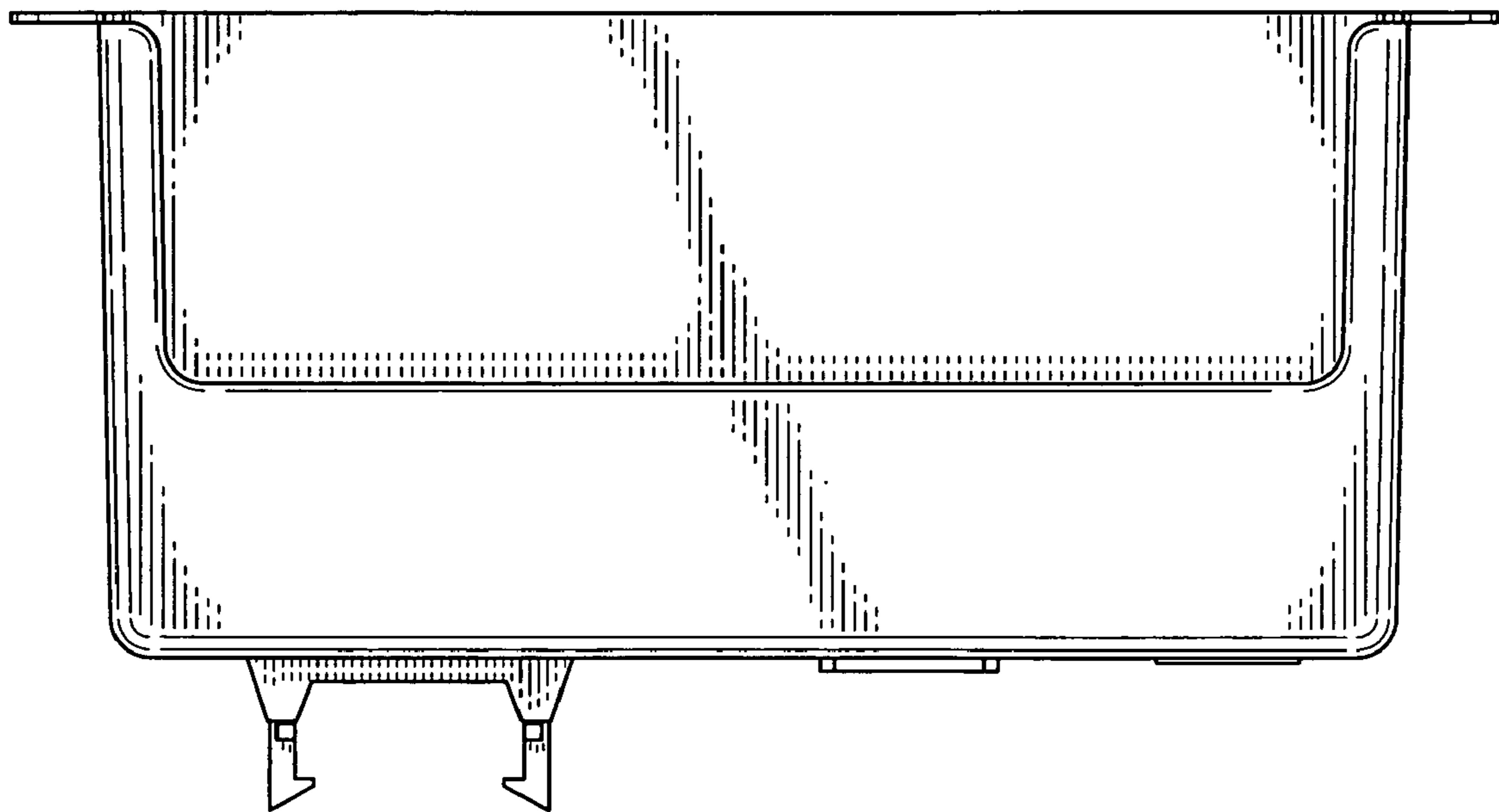
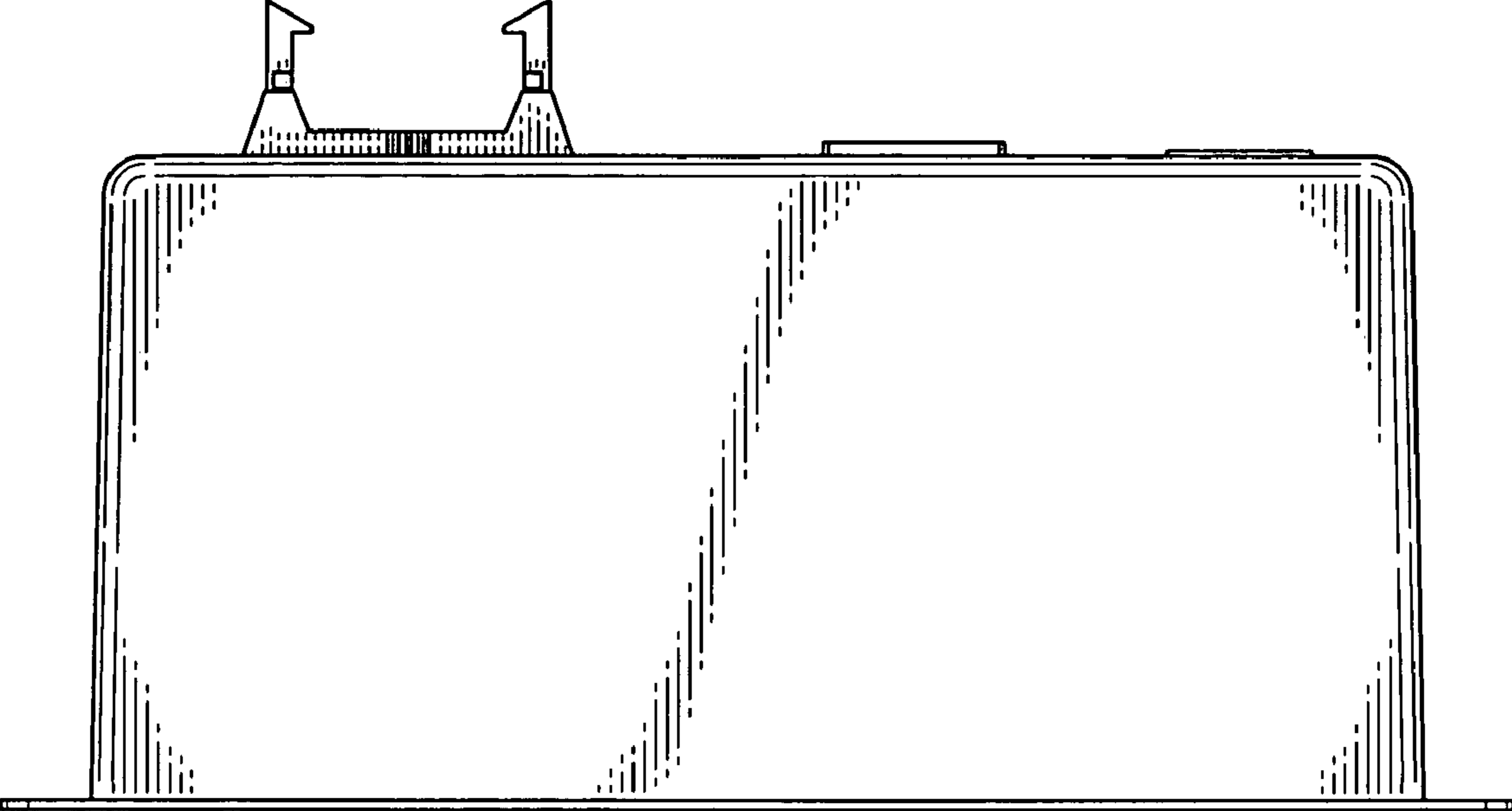


FIG. 5



# FIG. 6

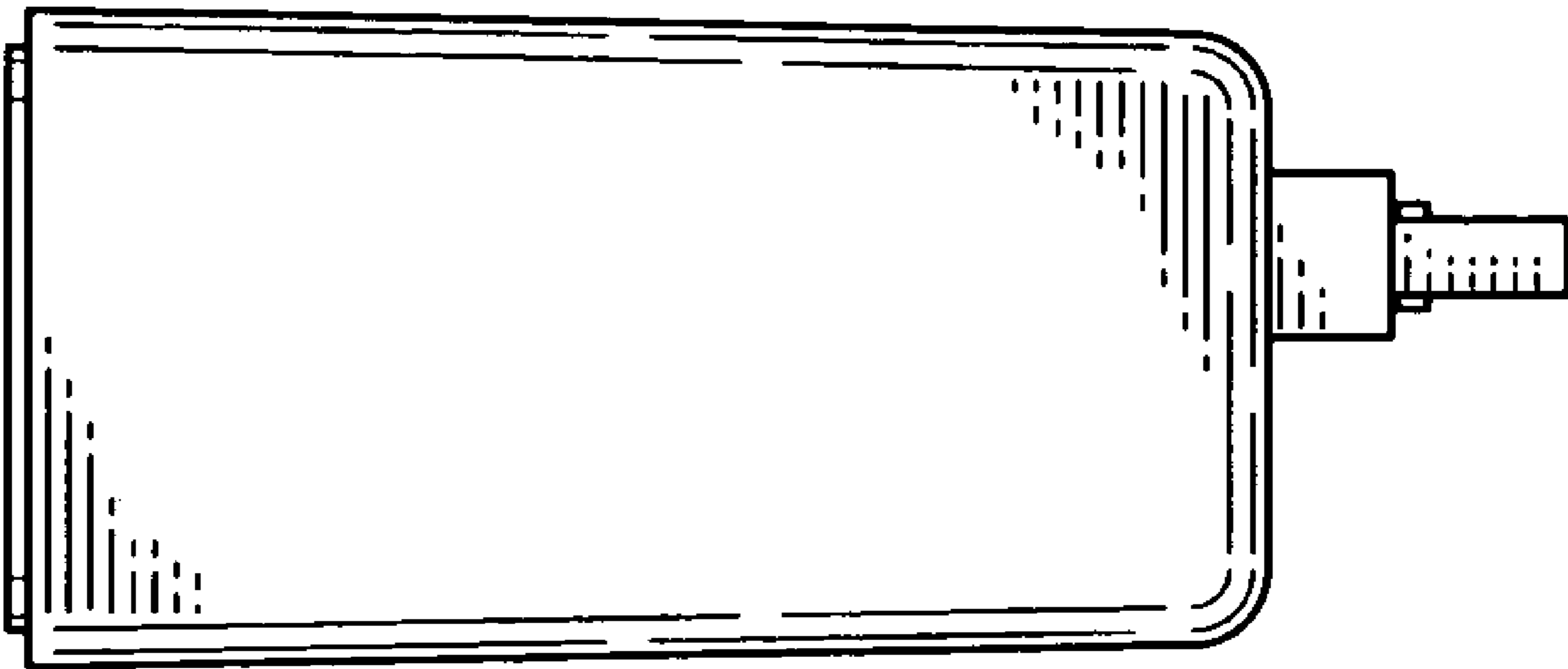


FIG. 7

