

US00D601962S

(12) **United States Design Patent**
Song

(10) **Patent No.:** **US D601,962 S**

(45) **Date of Patent:** **** *Oct. 13, 2009**

(54) **GROUND FAULT CIRCUIT INTERRUPTER (GFCI)**

(75) Inventor: **Huaiyin Song**, Zhejiang (CN)

(73) Assignee: **Zhejiang Dongzheng Electrical Co., Ltd.**, Zhejiang (CN)

(**) Term: **14 Years**

(21) Appl. No.: **29/259,367**

(22) Filed: **May 8, 2006**

(30) **Foreign Application Priority Data**

Nov. 11, 2005 (CN) 2005 3 0146964

(51) **LOC (9) Cl.** **13-02**

(52) **U.S. Cl.** **D13/139.6**

(58) **Field of Classification Search** .. D13/137.1-137.4,
D13/139.1, 139.3, 139.6, 184; 174/50-51,
174/53-55, 66-67

See application file for complete search history.

(56) **References Cited**

U.S. PATENT DOCUMENTS

D413,862	S	*	9/1999	Huang et al.	D13/139.3
D419,531	S	*	1/2000	Keung et al.	D13/160
D430,539	S	*	9/2000	Leopold et al.	D13/139.3
D462,660	S	*	9/2002	Huang et al.	D13/139.3
D470,108	S	*	2/2003	Daoxian et al.	D13/139.3
D512,021	S	*	11/2005	Fort et al.	D13/139.6
D515,505	S	*	2/2006	Lin	D13/139.6

D521,932	S	*	5/2006	Fort et al.	D13/139.6
7,041,902	B1	*	5/2006	Savicki et al.	174/59
D542,223	S	*	5/2007	Bazayev et al.	D13/139.3
D545,272	S	*	6/2007	Zhang et al.	D13/139.3

* cited by examiner

Primary Examiner—Jennifer Rivard

Assistant Examiner—Rosemary K Tarcza

(74) *Attorney, Agent, or Firm*—Morris, Manning & Martin LLP; Tim Tingkang Xia

(57) **CLAIM**

The ornamental design for a ground fault circuit interrupter (GFCI), as shown and described.

DESCRIPTION

FIG. 1 is a front view of a ground fault circuit interrupter (GFCI) of my new design, the opposite view being the rear view;

FIG. 2 is a left side view thereof, the opposite view being the right side view;

FIG. 3 is a right side view thereof;

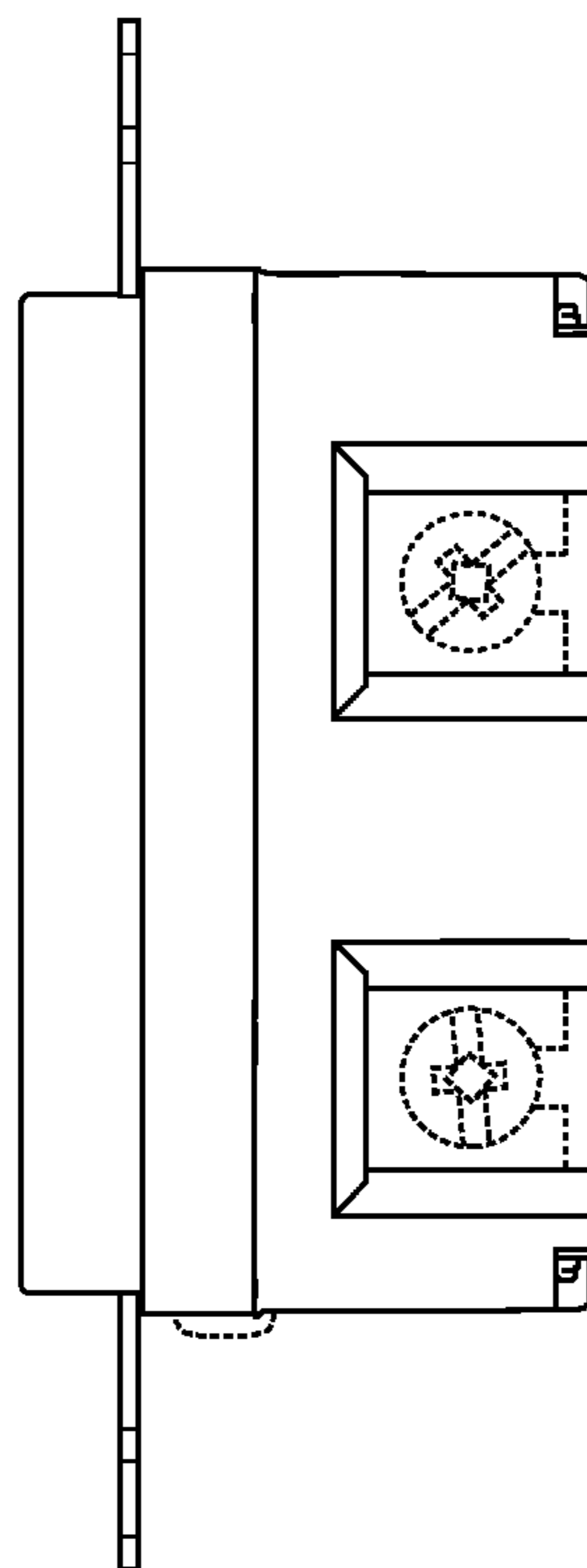
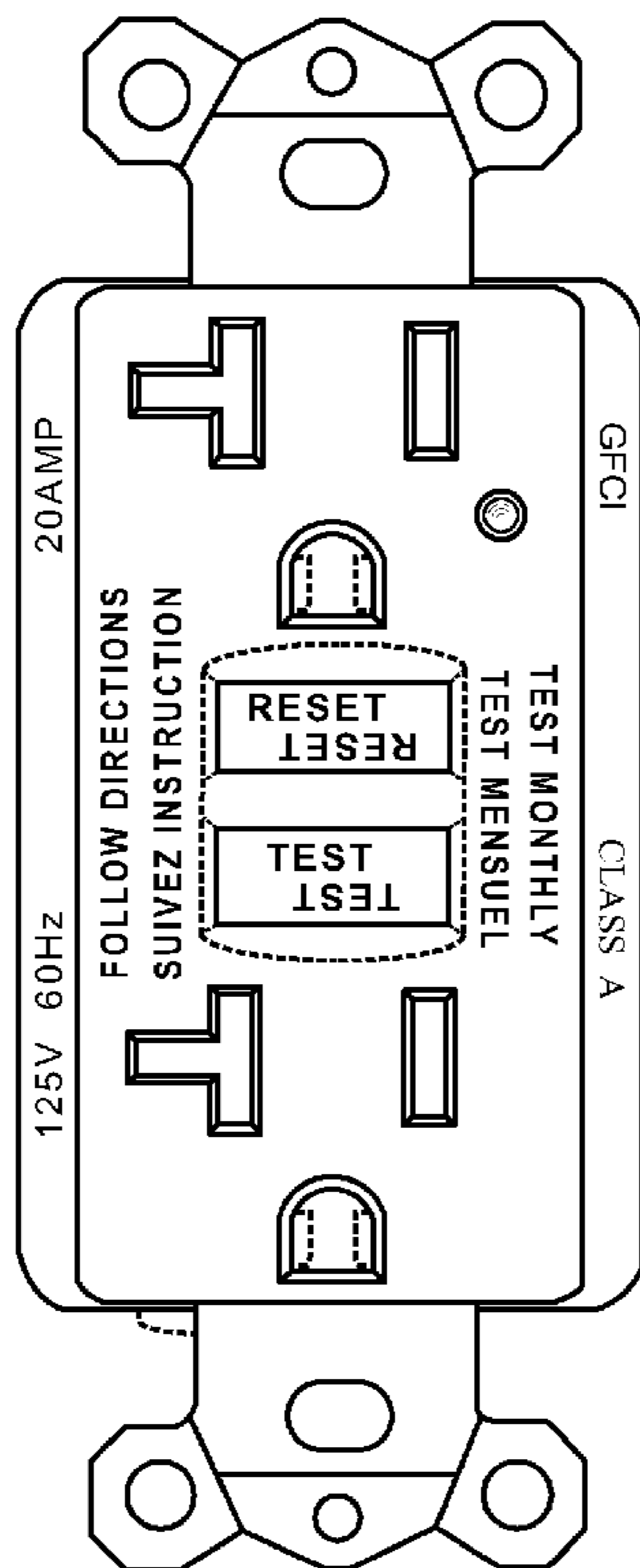
FIG. 4 is a rear view thereof;

FIG. 5 is a top view thereof, the opposite view being the bottom view; and,

FIG. 6 is a bottom view thereof.

The broken lines illustrate the environment elements of the ground fault circuit interrupter (GFCI) and form no part of the claimed design.

1 Claim, 6 Drawing Sheets



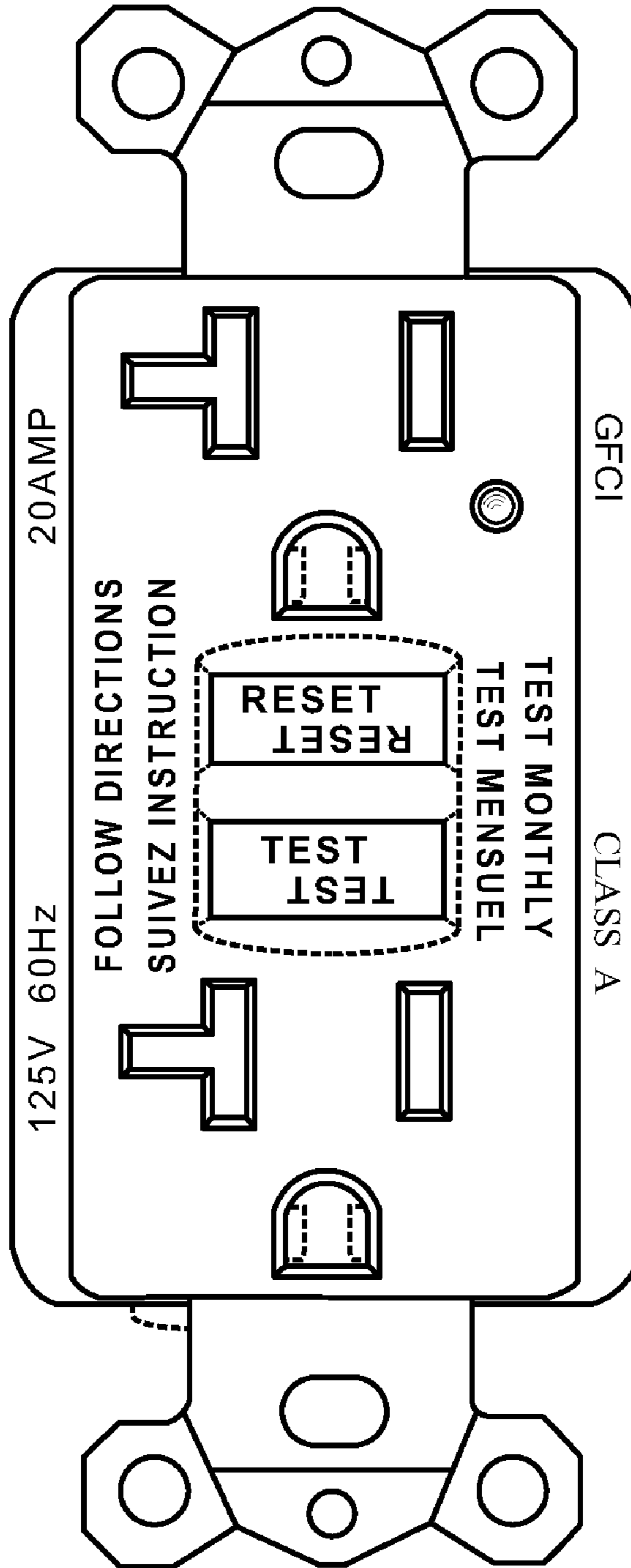


FIG. 1

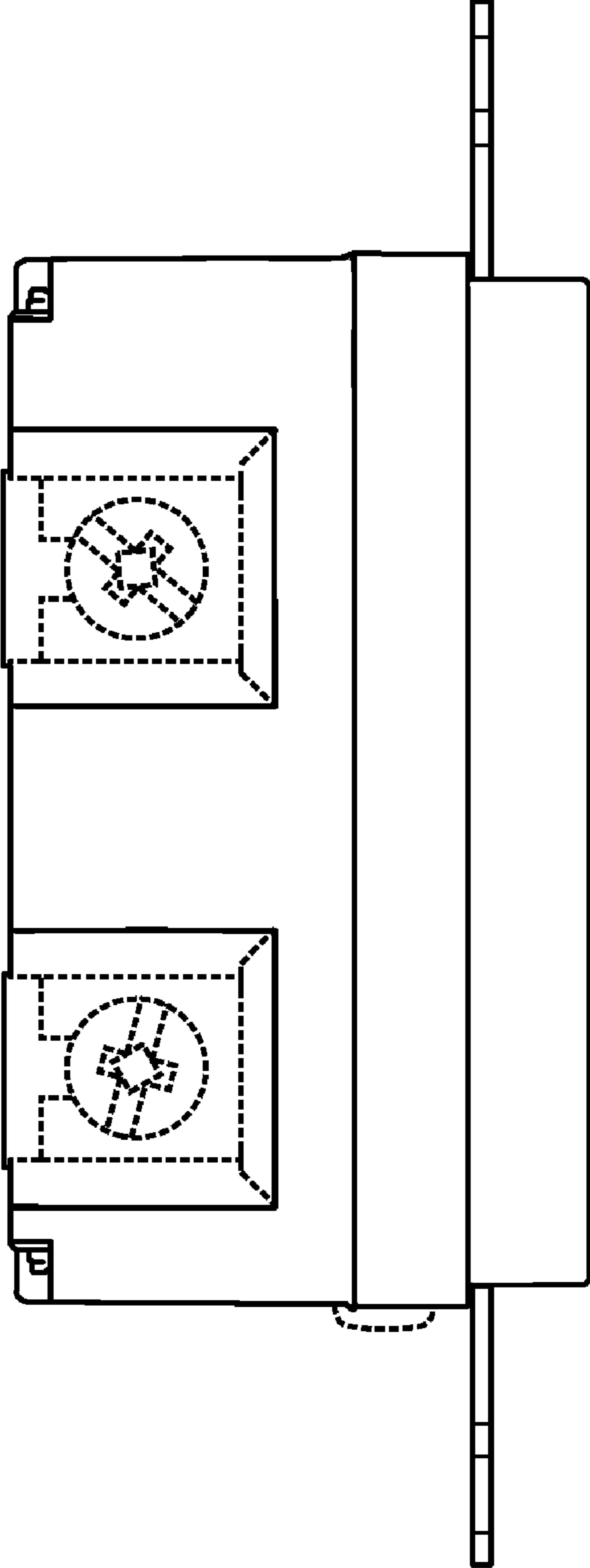


FIG. 2

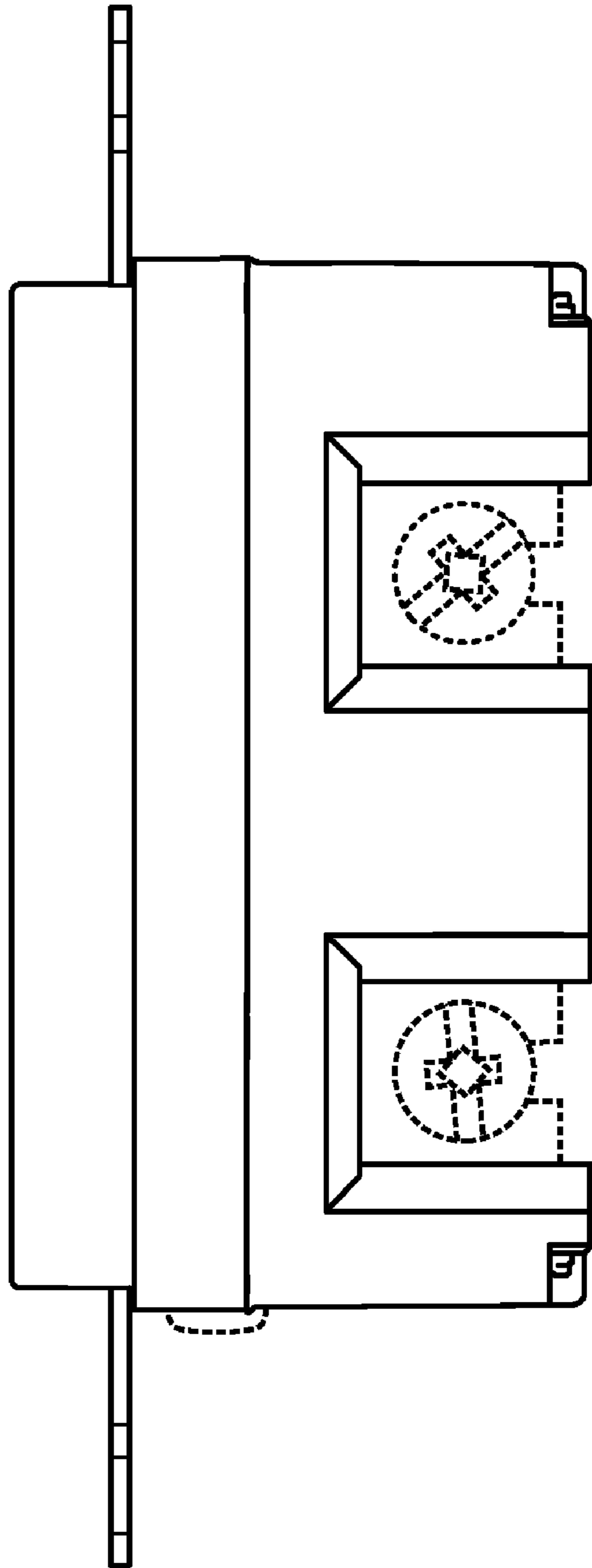


FIG. 3

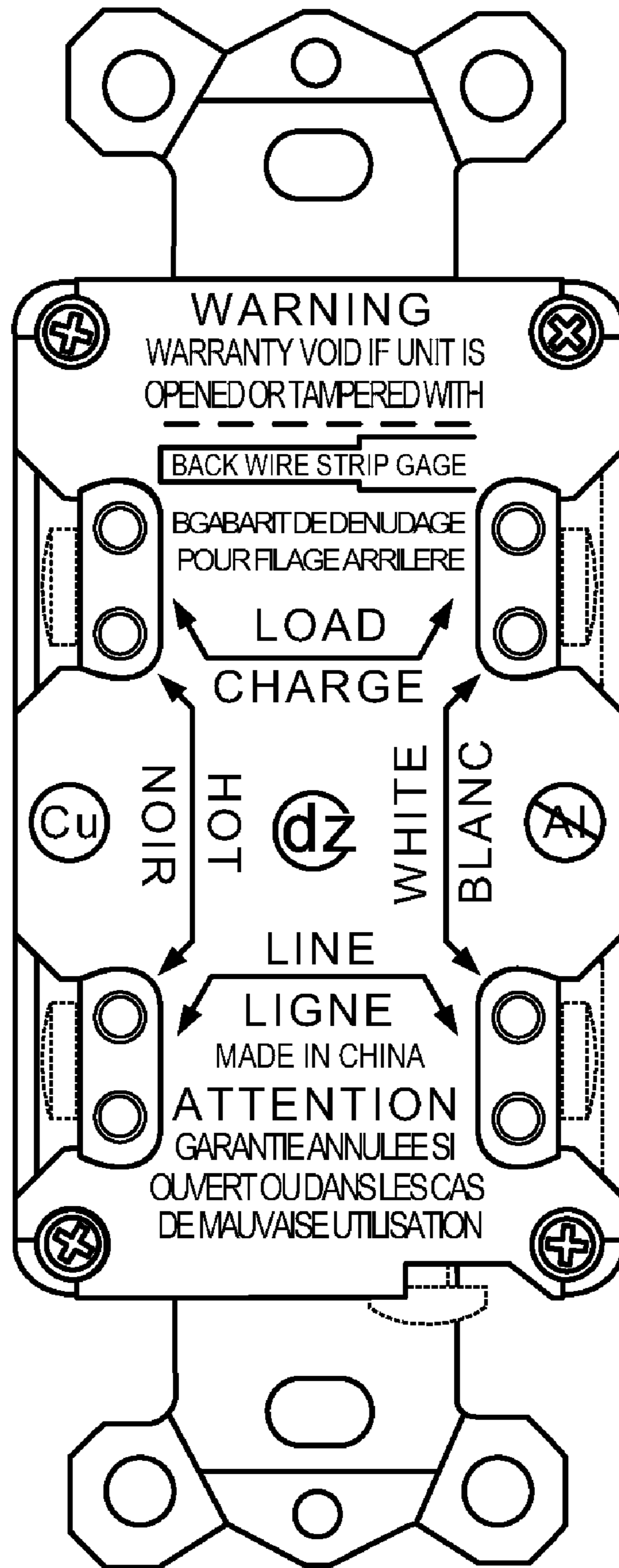


FIG. 4

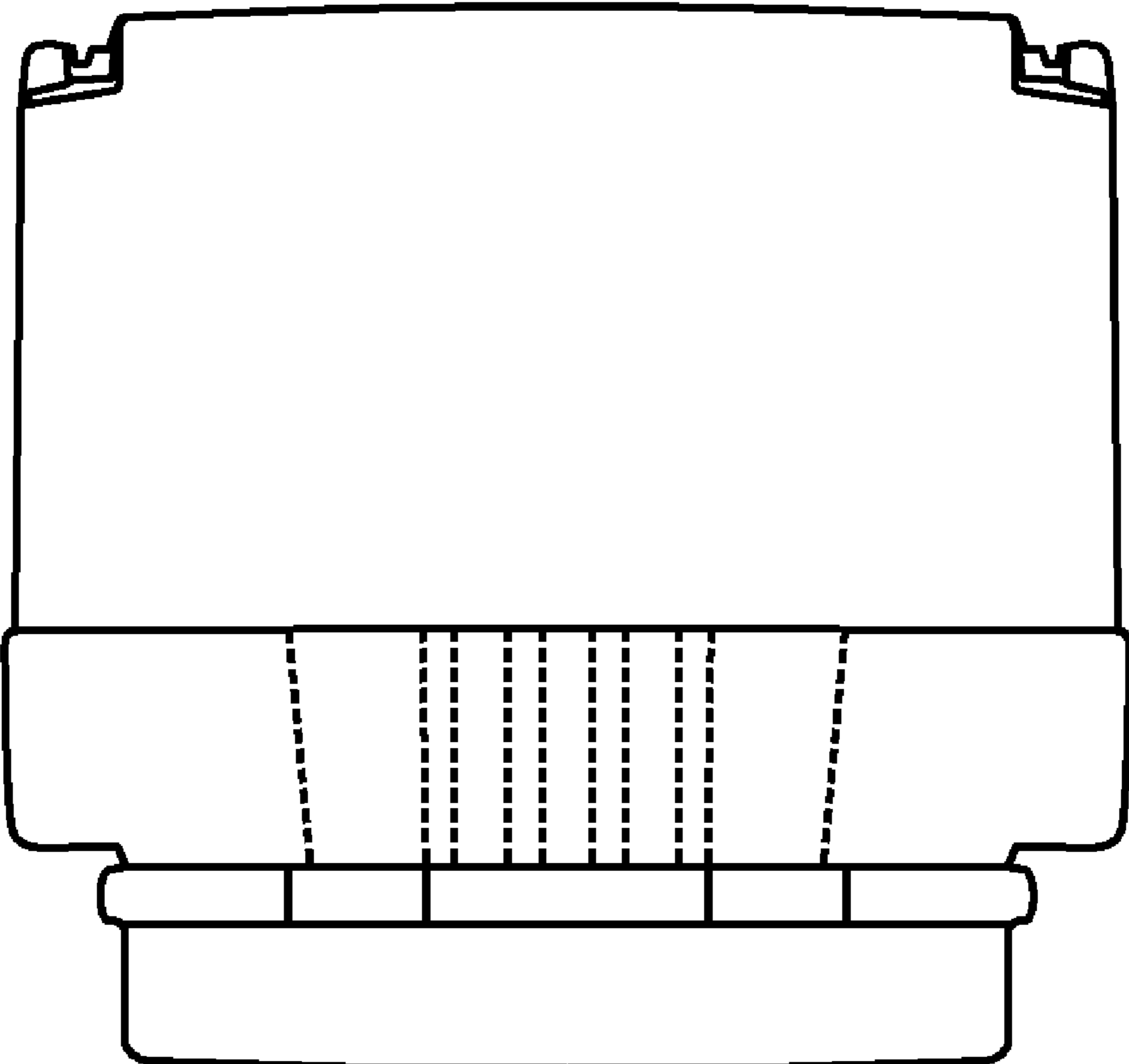


FIG. 5

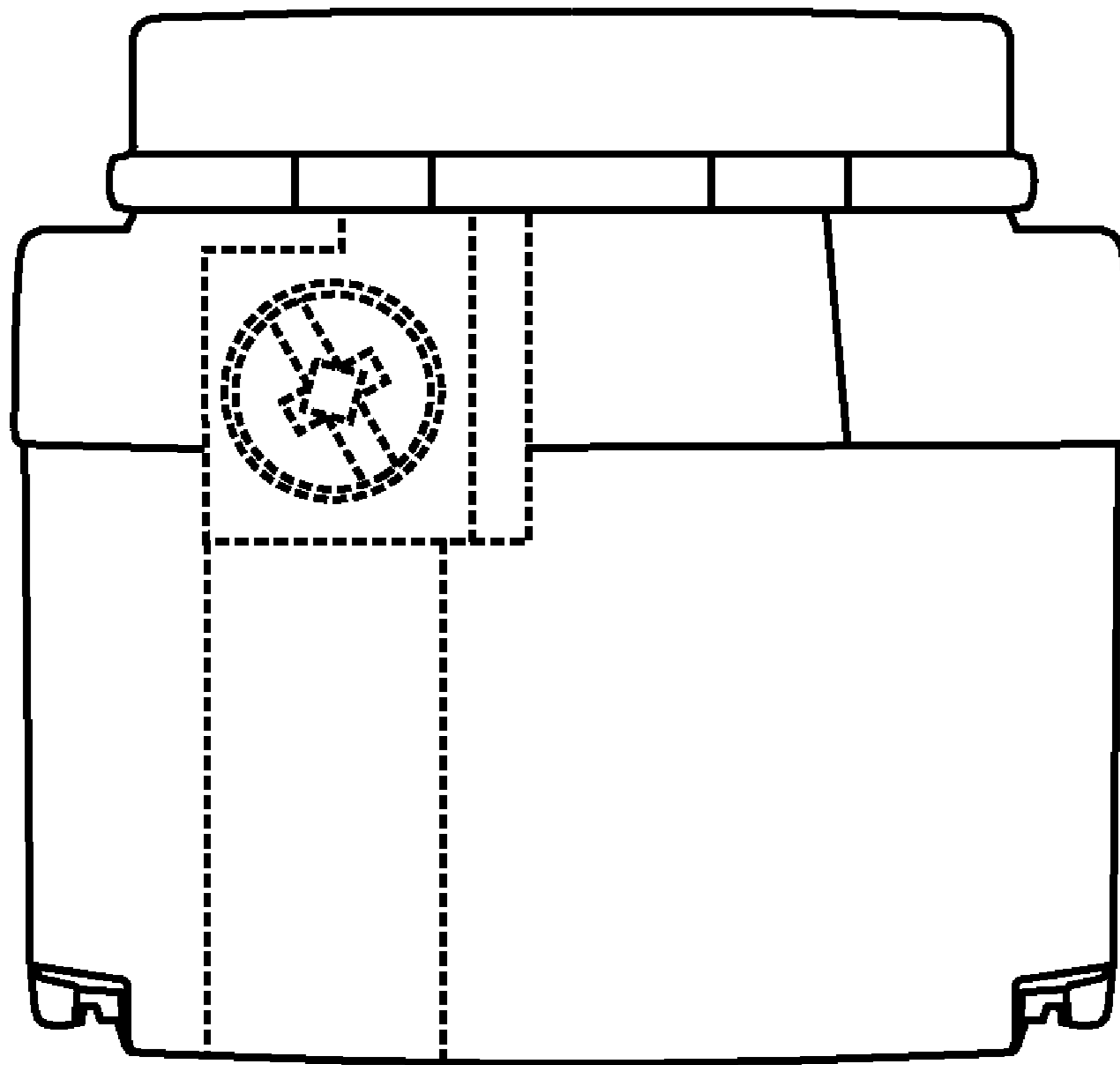


FIG. 6