



US00D601961S

(12) **United States Design Patent**  
**Mahaffey et al.**

(10) **Patent No.:** **US D601,961 S**

(45) **Date of Patent:** **\*\* Oct. 13, 2009**

(54) **POWER ADAPTER**

(75) Inventors: **Robert Mahaffey**, Vancouver (CA);  
**John Hung**, Vancouver (CA); **Ryan White**, San Francisco, CA (US)

(73) Assignee: **ACCO Brands USA LLC**, Lincolnshire, IL (US)

(\*\*) Term: **14 Years**

(21) Appl. No.: **29/334,645**

(22) Filed: **Mar. 30, 2009**

**Related U.S. Application Data**

(62) Division of application No. 29/304,032, filed on Feb. 22, 2008, now Pat. No. Des. 592,138.

(51) **LOC (9) Cl.** ..... **13-03**

(52) **U.S. Cl.** ..... **D13/123; D13/110**

(58) **Field of Classification Search** ..... D13/110,  
D13/123, 133, 146, 147, 153, 184, 199; D14/256;  
439/11, 13, 344, 350, 357, 502, 638, 676  
See application file for complete search history.

(56) **References Cited**

**U.S. PATENT DOCUMENTS**

- D363,700 S \* 10/1995 Buongervino et al. .... D13/147
- D383,115 S \* 9/1997 Nagele et al. .... D13/110
- D413,574 S \* 9/1999 Goto ..... D13/146
- D449,579 S \* 10/2001 Goto ..... D13/133

- D468,258 S \* 1/2003 Guo et al. .... D13/107
- D484,853 S \* 1/2004 Alviar ..... D13/110
- D503,679 S \* 4/2005 Andre et al. .... D13/110
- D525,208 S \* 7/2006 Christianson ..... D13/154
- D570,772 S \* 6/2008 Mahaffey et al. .... D13/110

\* cited by examiner

*Primary Examiner*—Daniel D Bui

*Assistant Examiner*—Thomas J Johannes

(74) *Attorney, Agent, or Firm*—Townsend and Townsend and Crew LLP

(57) **CLAIM**

The ornamental design for a power adapter, as shown and described.

**DESCRIPTION**

FIG. 1 is a top perspective view of a power adapter according to our new design;

FIG. 2 is a bottom perspective view thereof;

FIG. 3 is a top plan view thereof;

FIG. 4 is a front elevation view thereof;

FIG. 5 is a rear elevation view thereof;

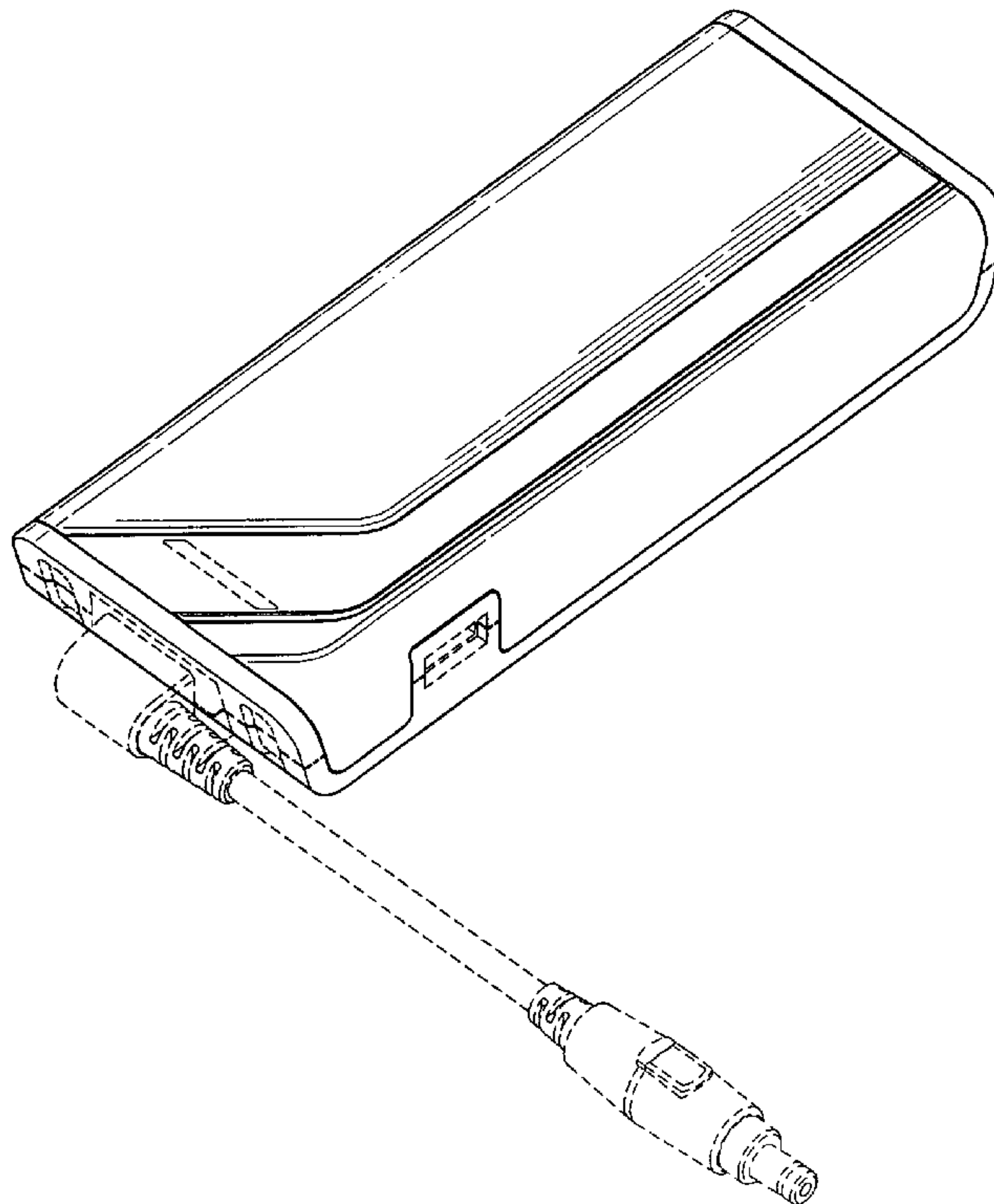
FIG. 6 is a bottom plan view thereof;

FIG. 7 is a left side elevation view thereof; and,

FIG. 8 is a right side elevation view thereof.

The broken lines are for illustrative purpose only and form no part of the claimed design.

**1 Claim, 8 Drawing Sheets**



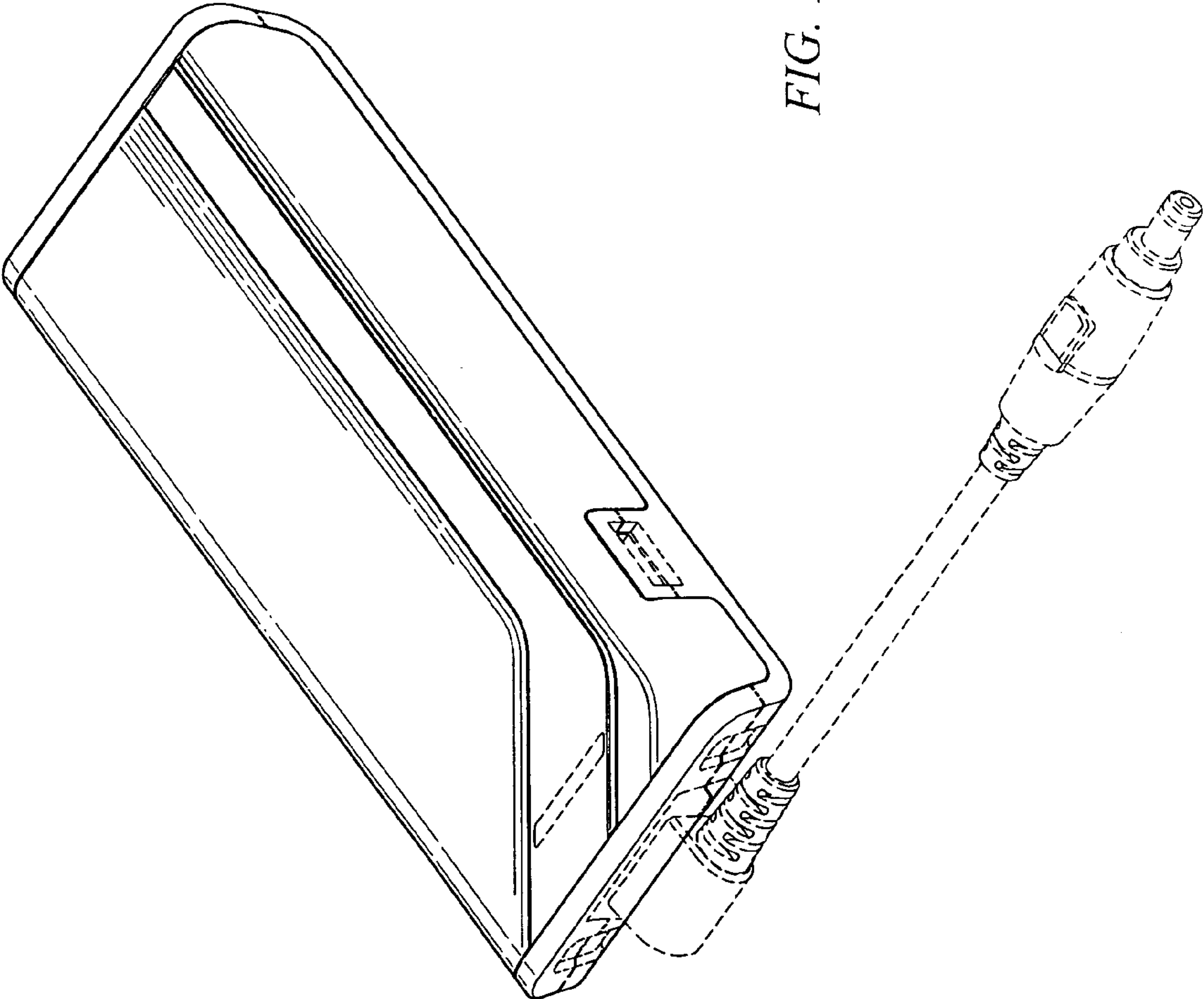
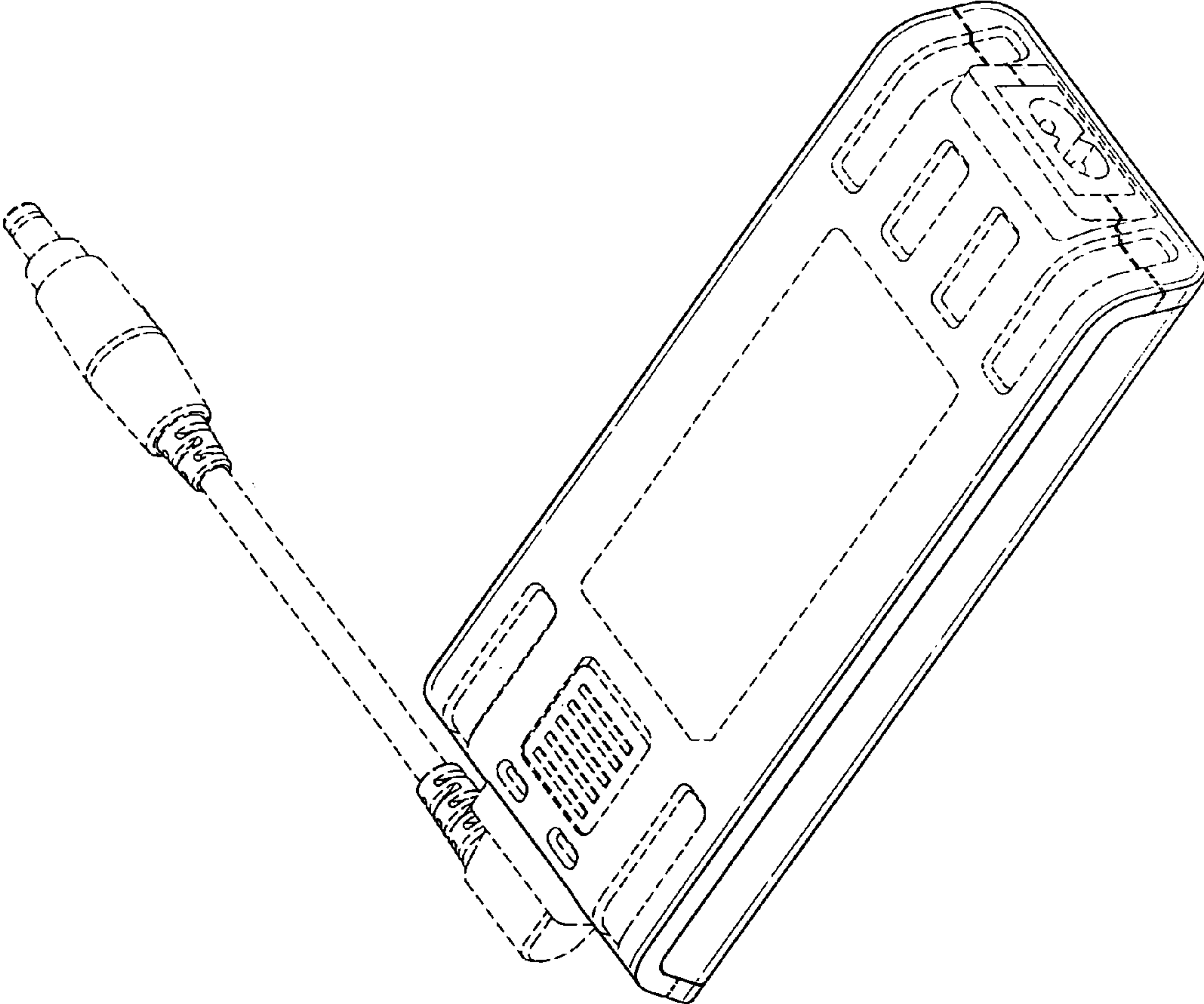


FIG. 1

FIG. 2



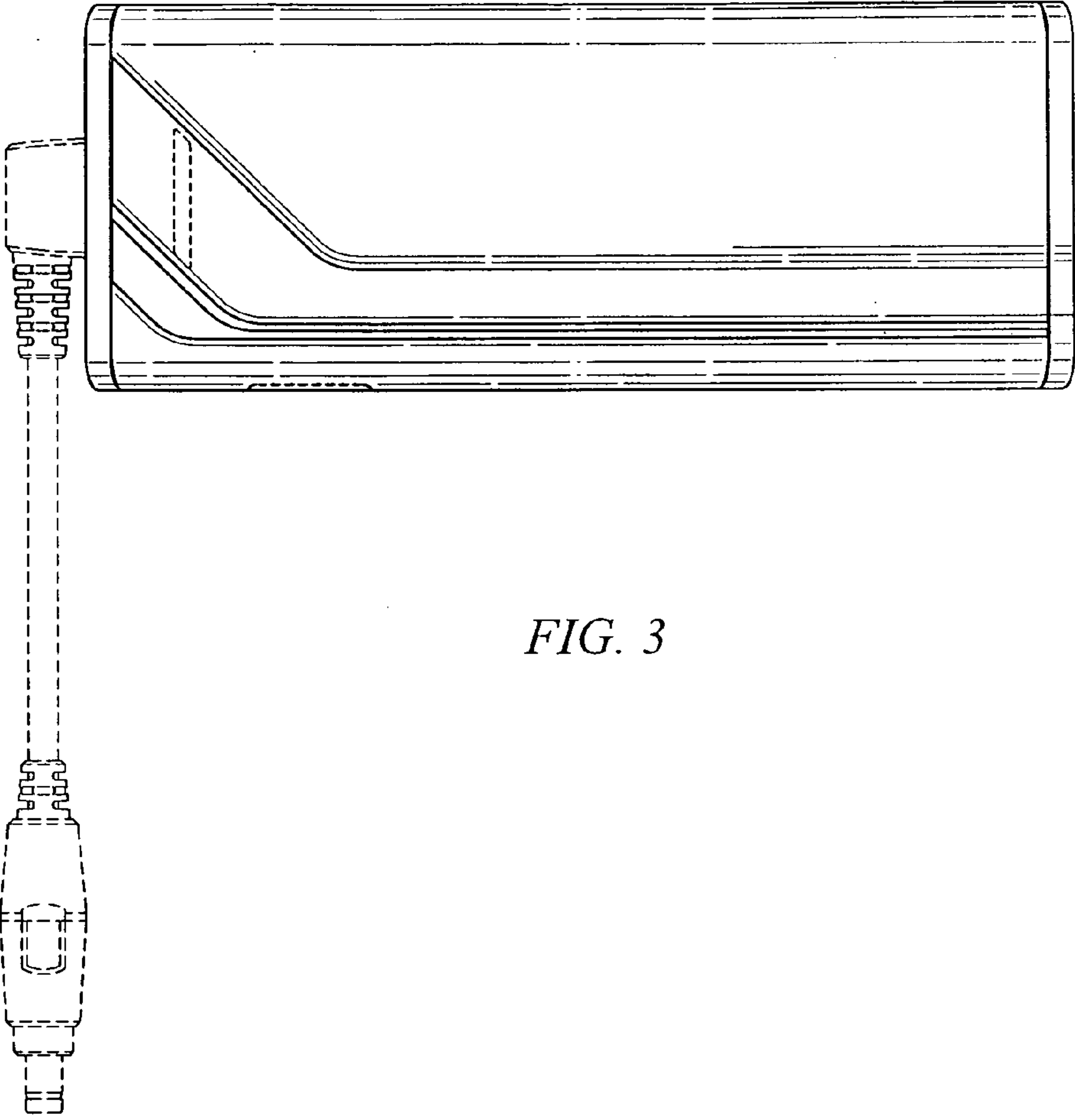
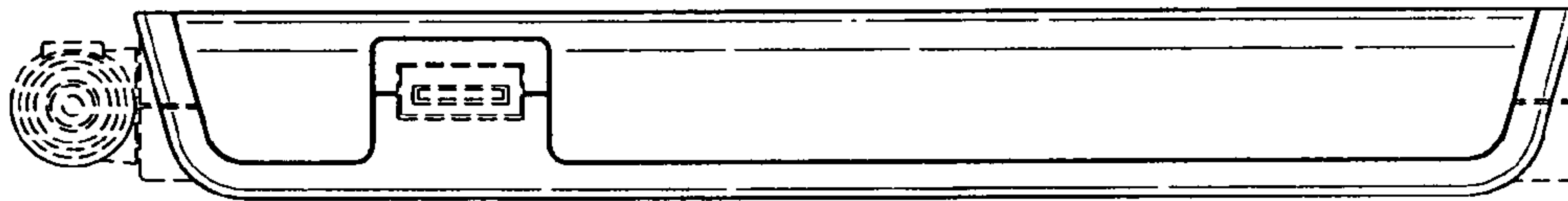
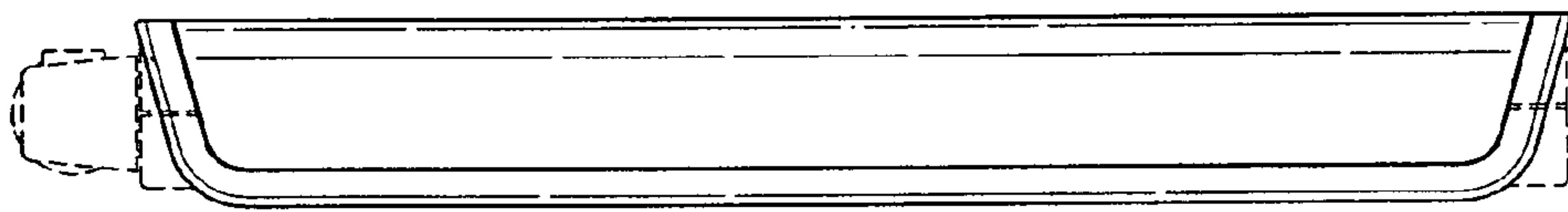


FIG. 3



*FIG. 4*



*FIG. 5*

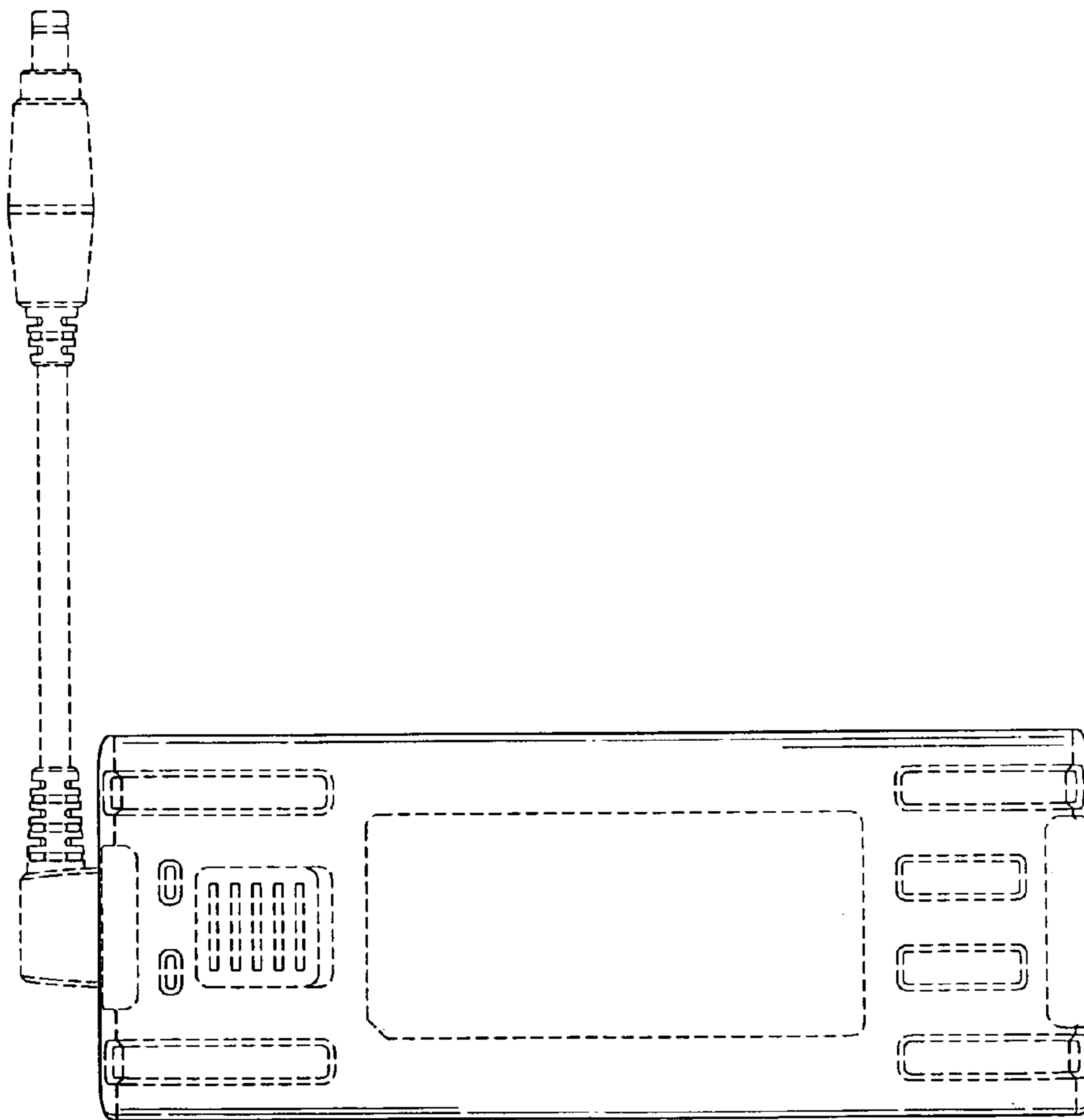


FIG. 6

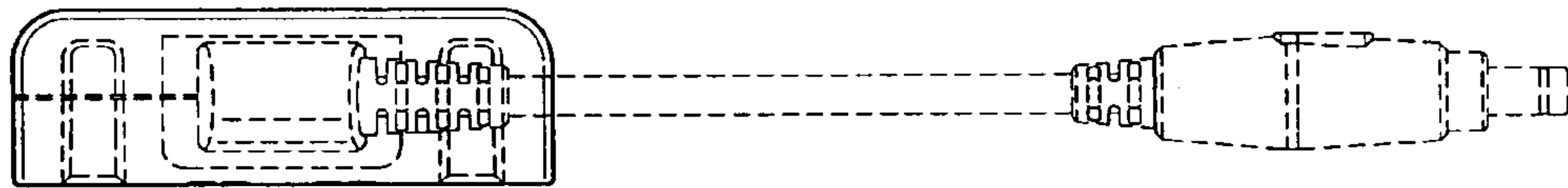


FIG. 7



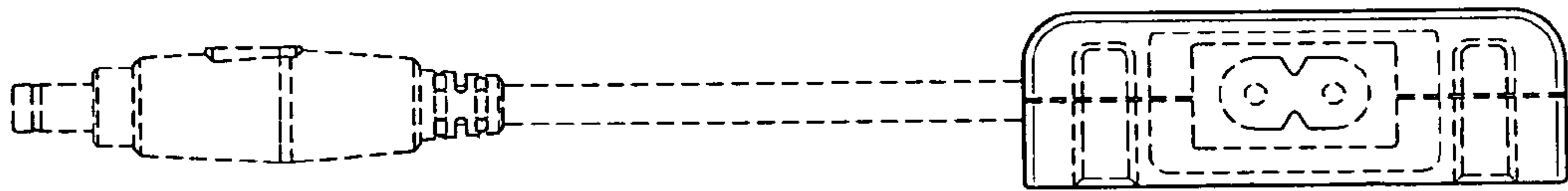


FIG. 8