



US00D601960S

(12) **United States Design Patent**
Dai

(10) **Patent No.:** **US D601,960 S**
(45) **Date of Patent:** **** Oct. 13, 2009**

(54) **PORTABLE SPARE BATTERY JACKET FOR PHONE**

(75) Inventor: **Zewu Dai**, Shenzhen (CN)

(73) Assignee: **Bestway (Hong Kong) Electronics Co., Limited**, Wanchai (HK)

(**) Term: **14 Years**

(21) Appl. No.: **29/302,385**

(22) Filed: **Jan. 16, 2008**

(30) **Foreign Application Priority Data**

Jan. 2, 2008 (CN) 2008 3 0000007

(51) **LOC (9) Cl.** **13-03**

(52) **U.S. Cl.** **D13/119**

(58) **Field of Classification Search** D13/102-110,
D13/118-119, 184; D14/250, 251, 253,
D14/432, 434; D3/201, 215, 218, 226, 230,
D3/299; 429/96-100, 163, 176; 320/101-102,
320/107-115; 206/320, 701
See application file for complete search history.

(56) **References Cited**

U.S. PATENT DOCUMENTS

D395,749 S *	7/1998	Jayez	D3/218
D401,055 S *	11/1998	Jayez	D3/218
D407,063 S *	3/1999	Reis et al.	D13/103
D460,411 S *	7/2002	Wang	D13/103
D506,066 S *	6/2005	Nieves	D3/299
D517,007 S *	3/2006	Yong-Jian et al.	D13/108
D525,582 S *	7/2006	Chan	D13/107
D526,958 S *	8/2006	Shimizu	D13/108
D535,252 S *	1/2007	Sandnes	D13/108

D543,513 S *	5/2007	Allen et al.	D13/184
D548,178 S *	8/2007	Suk et al.	D13/108
D556,681 S *	12/2007	Kim	D13/103
D557,205 S *	12/2007	Kim	D13/103
D557,894 S *	12/2007	Yeo	D3/218
D558,973 S *	1/2008	Hussaini et al.	D3/201
D559,267 S *	1/2008	Griffin	D14/496
D559,532 S *	1/2008	Kwak et al.	D3/218
D566,383 S *	4/2008	Harris et al.	D3/218
D567,500 S *	4/2008	Kwak et al.	D3/218
D569,607 S *	5/2008	Calco et al.	D3/201
D570,101 S *	6/2008	Harris et al.	D3/218
2008/0053770 A1 *	3/2008	Tynyk	190/100

* cited by examiner

Primary Examiner—Jennifer Rivard

Assistant Examiner—Rosemary K Tarcza

(57) **CLAIM**

The ornamental design for a portable spare battery jacket for phone, as shown.

DESCRIPTION

FIG. 1 is a front elevational view of a portable spare battery jacket for phone showing my new design;

FIG. 2 is a rear elevational view thereof;

FIG. 3 is a top plan view thereof;

FIG. 4 is a bottom plan view thereof;

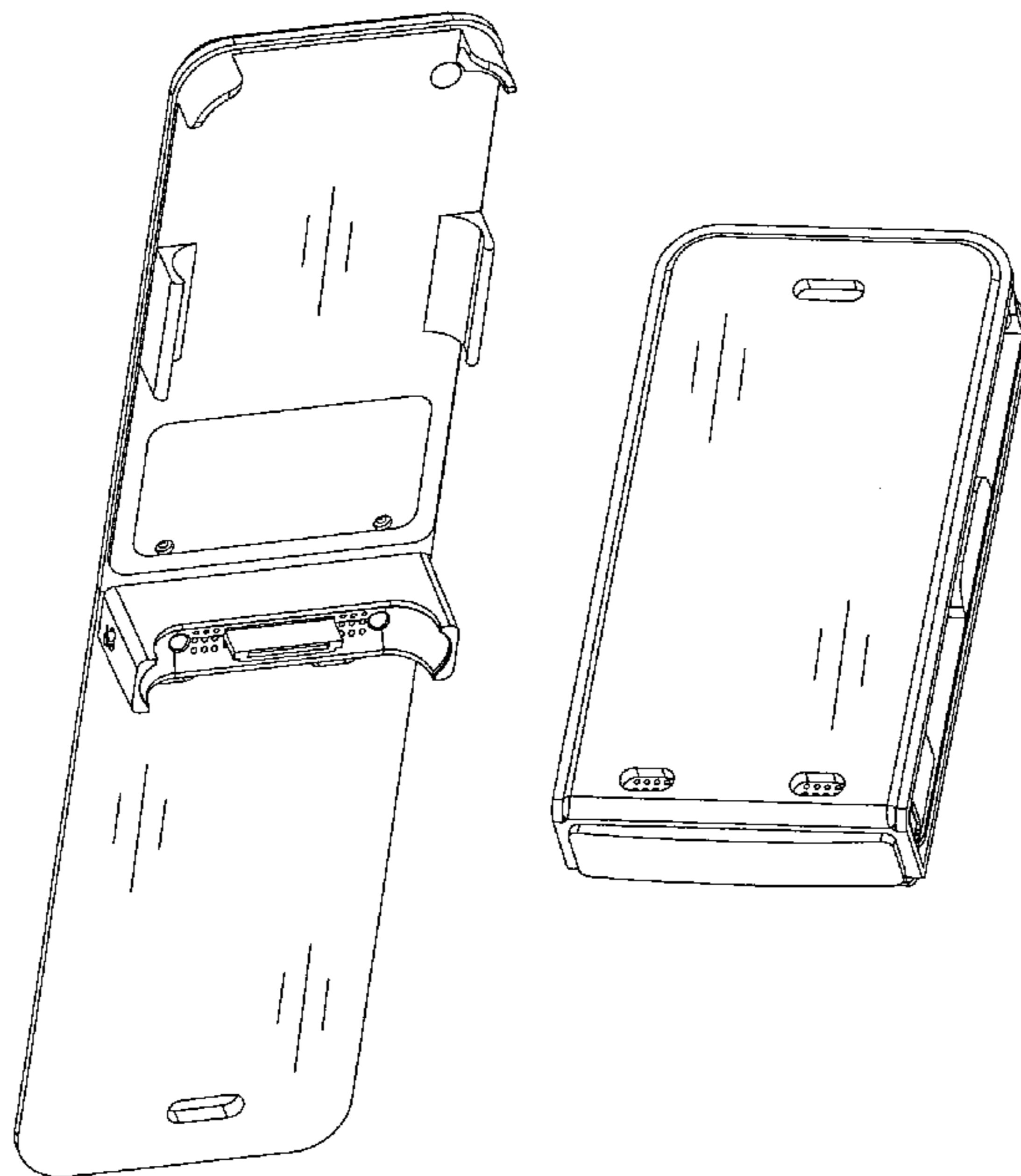
FIG. 5 is a left side view thereof;

FIG. 6 is a right side view thereof;

FIG. 7 is a perspective view thereof; and,

FIG. 8 is a perspective view thereof when the portable spare battery jacket for phone is folded for use.

1 Claim, 6 Drawing Sheets



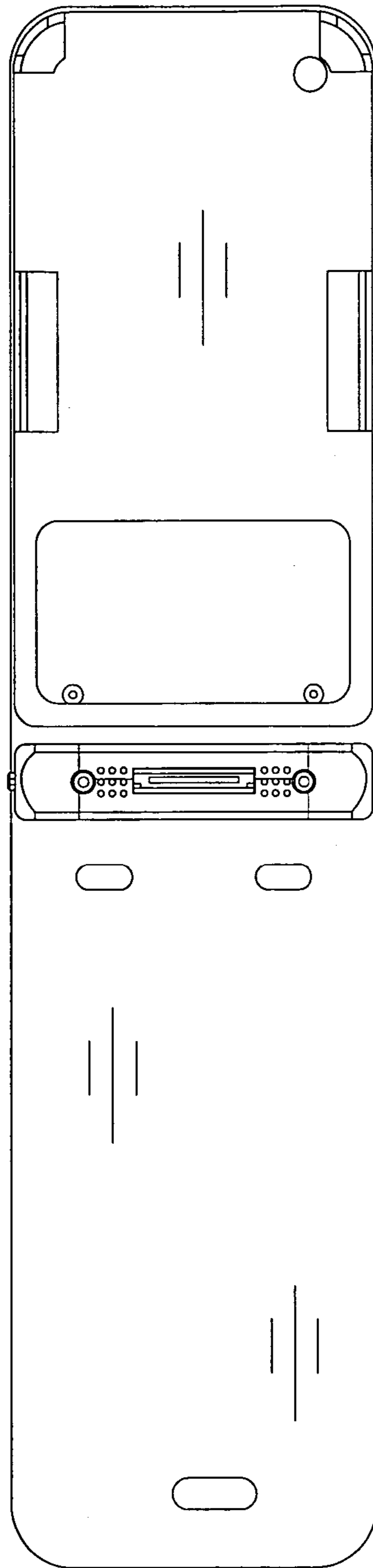


FIG. 1

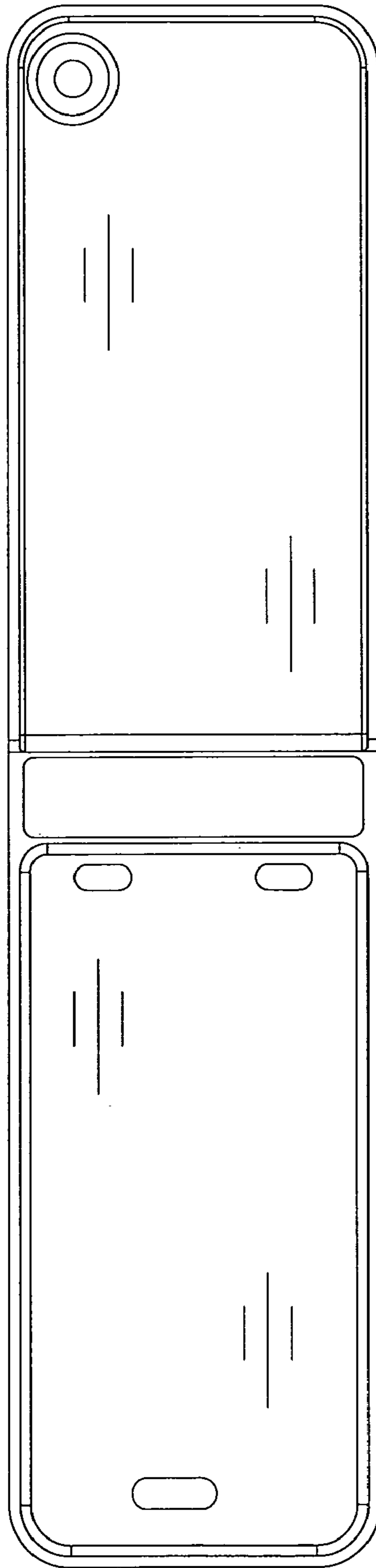


FIG. 2

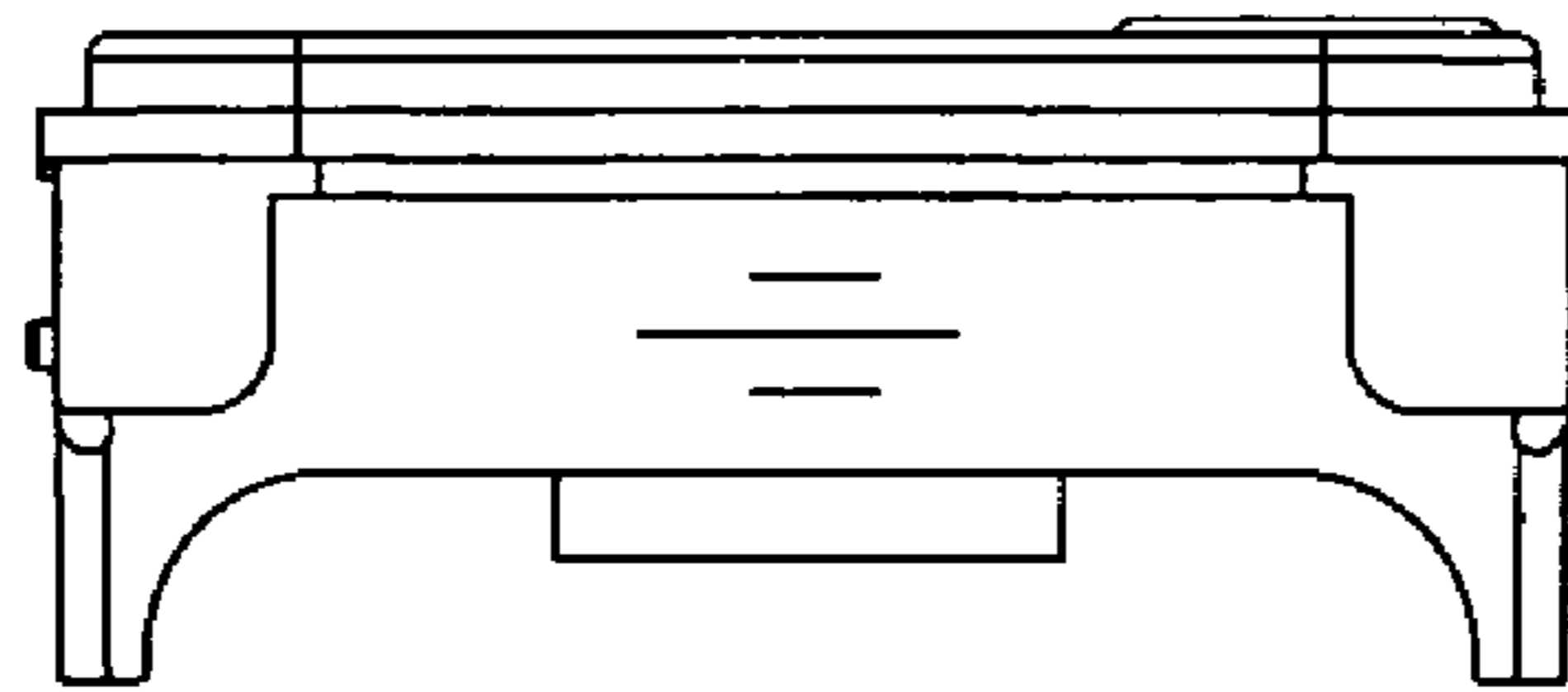


FIG. 3

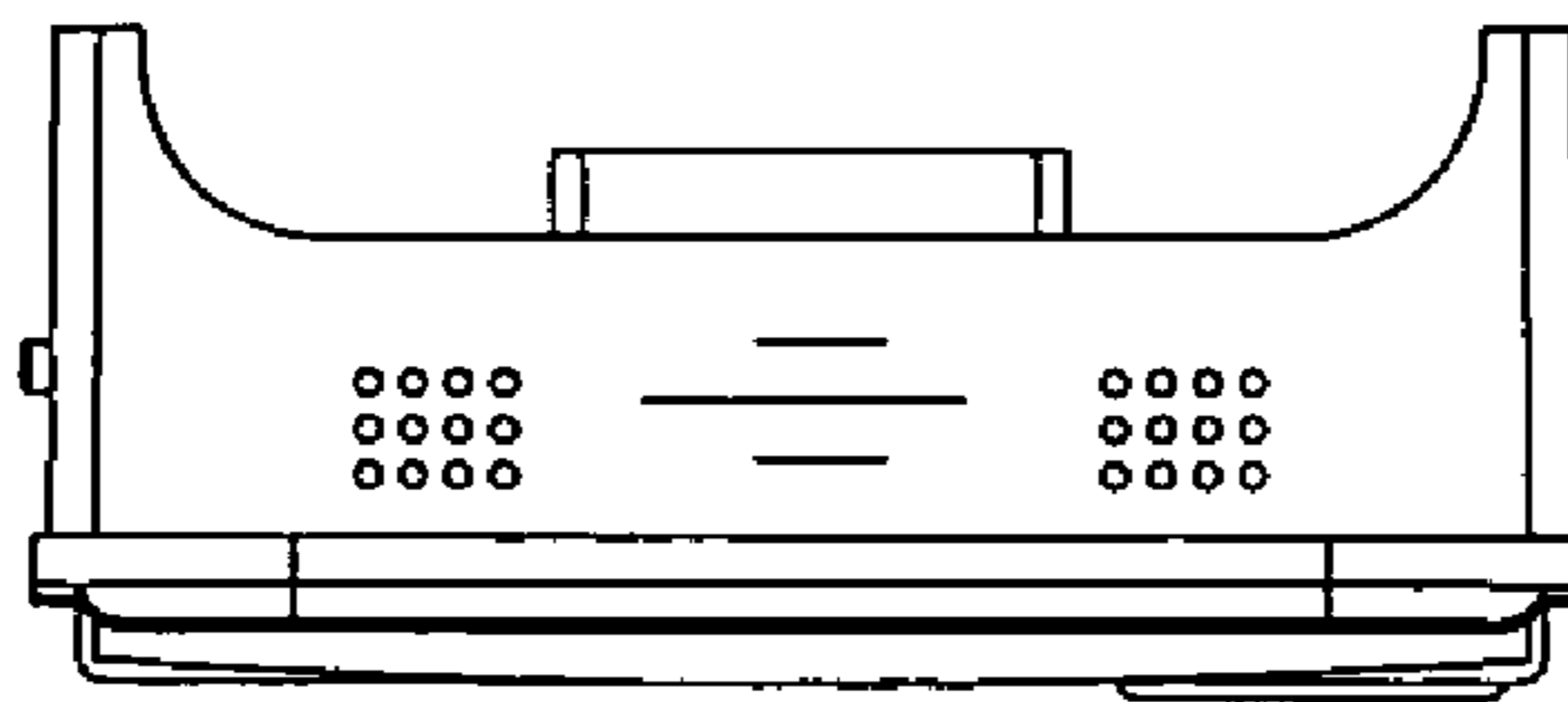


FIG. 4

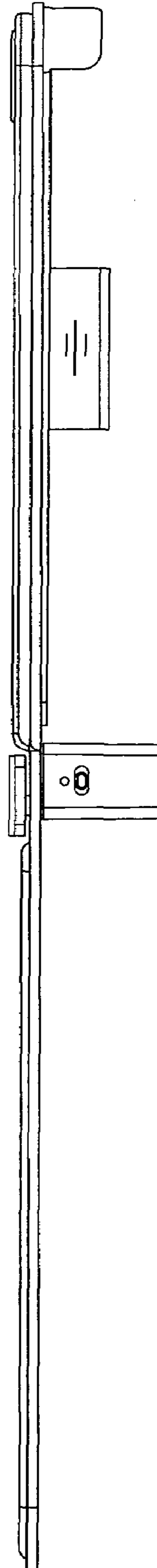


FIG. 5

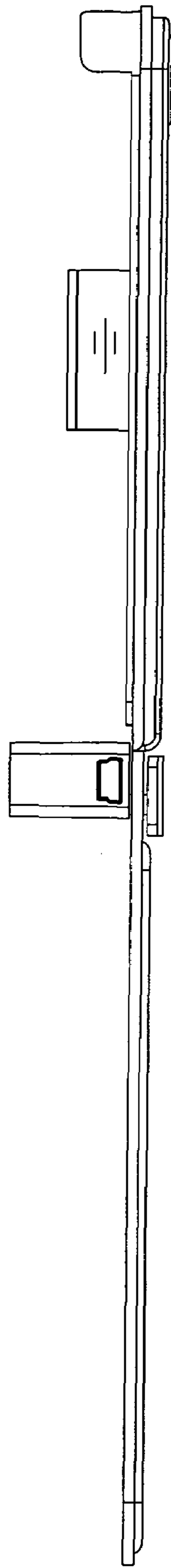


FIG. 6

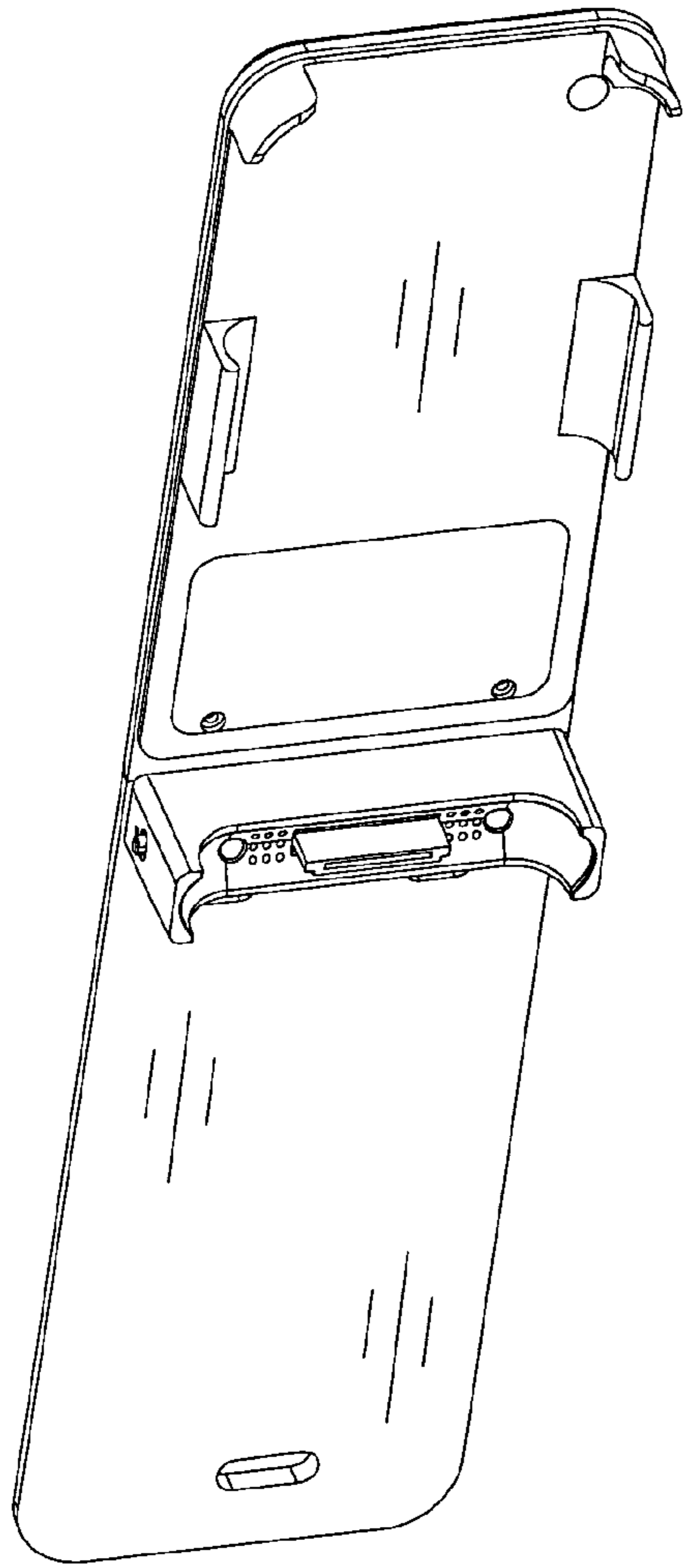


FIG. 7

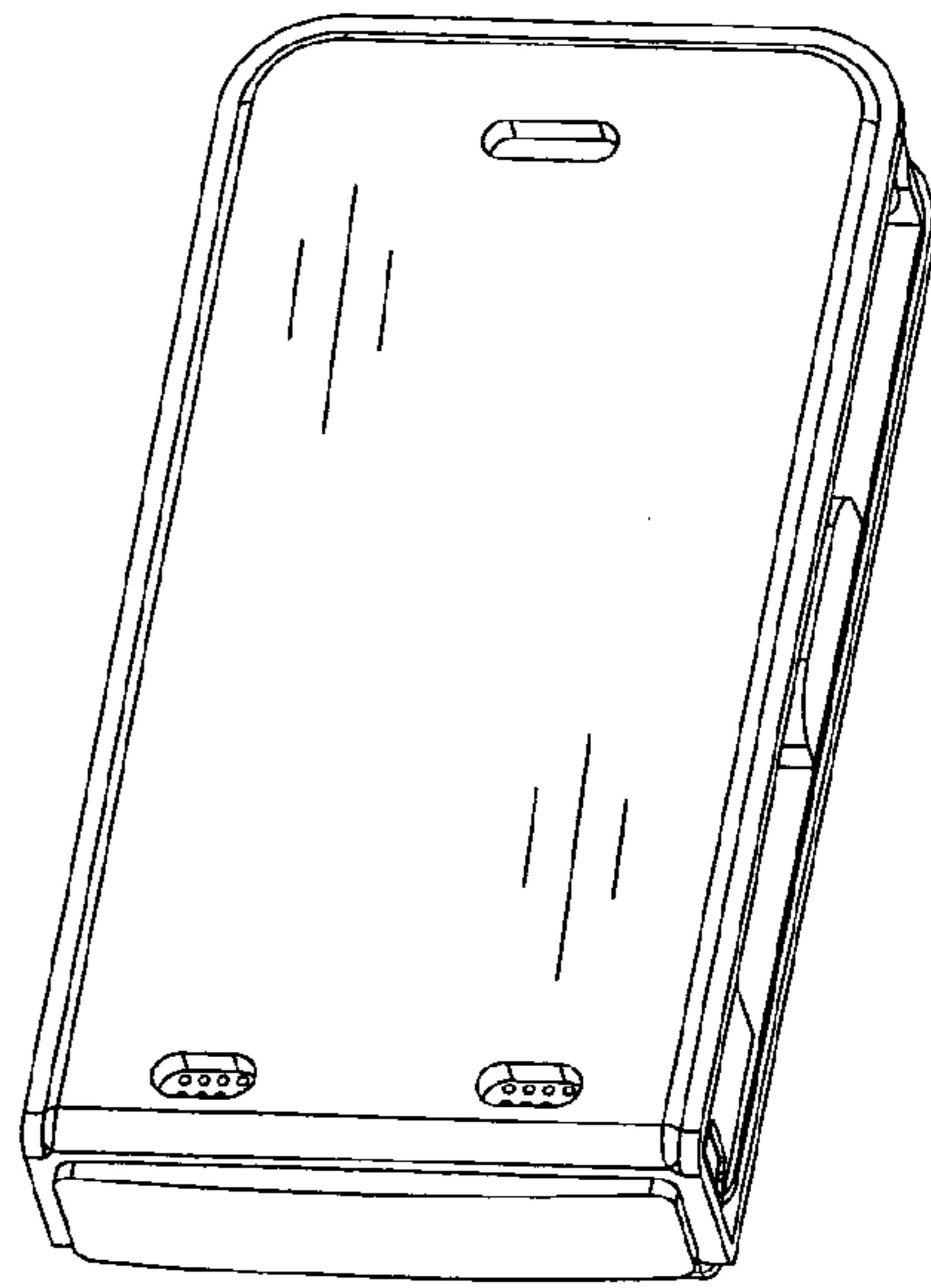


FIG. 8