



US00D601958S

(12) **United States Design Patent**
Huan et al.

(10) **Patent No.:** **US D601,958 S**
(45) **Date of Patent:** **** Oct. 13, 2009**

(54) **ELECTRIC MOTOR**

(75) Inventors: **Wen Jun Huan**, Shenzhen (CN); **Jian Wen Zhang**, Shenzhen (CN); **Wai Shing Ip**, Hong Kong (CN)

(73) Assignee: **Johnson Electric S.A.**,
La-Chaux-du-Fonds (CH)

(**) Term: **14 Years**

(21) Appl. No.: **29/287,990**

(22) Filed: **Oct. 9, 2007**

(51) **LOC (9) Cl.** **13-01**

(52) **U.S. Cl.** **D13/112**

(58) **Field of Classification Search** D13/112,
D13/113, 114, 122, 184, 199; D15/1, 5;
29/596, 598; 310/40 MM, 40 R, 85, 88,
310/89, 265; 322/16, 39

See application file for complete search history.

(56) **References Cited**

U.S. PATENT DOCUMENTS

D205,662 S *	9/1966	Bluemink	D13/112
D245,498 S *	8/1977	Andreas	D13/112
D245,499 S *	8/1977	Andreas	D13/112
4,244,098 A *	1/1981	Barcus	29/596
D297,426 S *	8/1988	Mabuchi	D13/112
D304,169 S *	10/1989	Hoshino et al.	D13/112

D325,560 S *	4/1992	Baines	D13/112
D397,992 S *	9/1998	Shimomura et al.	D13/112
D511,138 S *	11/2005	Kwan	D13/112

* cited by examiner

Primary Examiner—Prabhakar Deshmukh

Assistant Examiner—Derrick Holland

(74) *Attorney, Agent, or Firm*—Birch, Stewart, Kolasch & Birch, LLP

(57) **CLAIM**

The ornamental design for an electric motor, as shown and described.

DESCRIPTION

FIG. 1 is a front elevational view showing our new design of an electric motor,

FIG. 2 is a rear elevational view thereof;

FIG. 3 is a top plan view thereof;

FIG. 4 is a bottom plan view thereof;

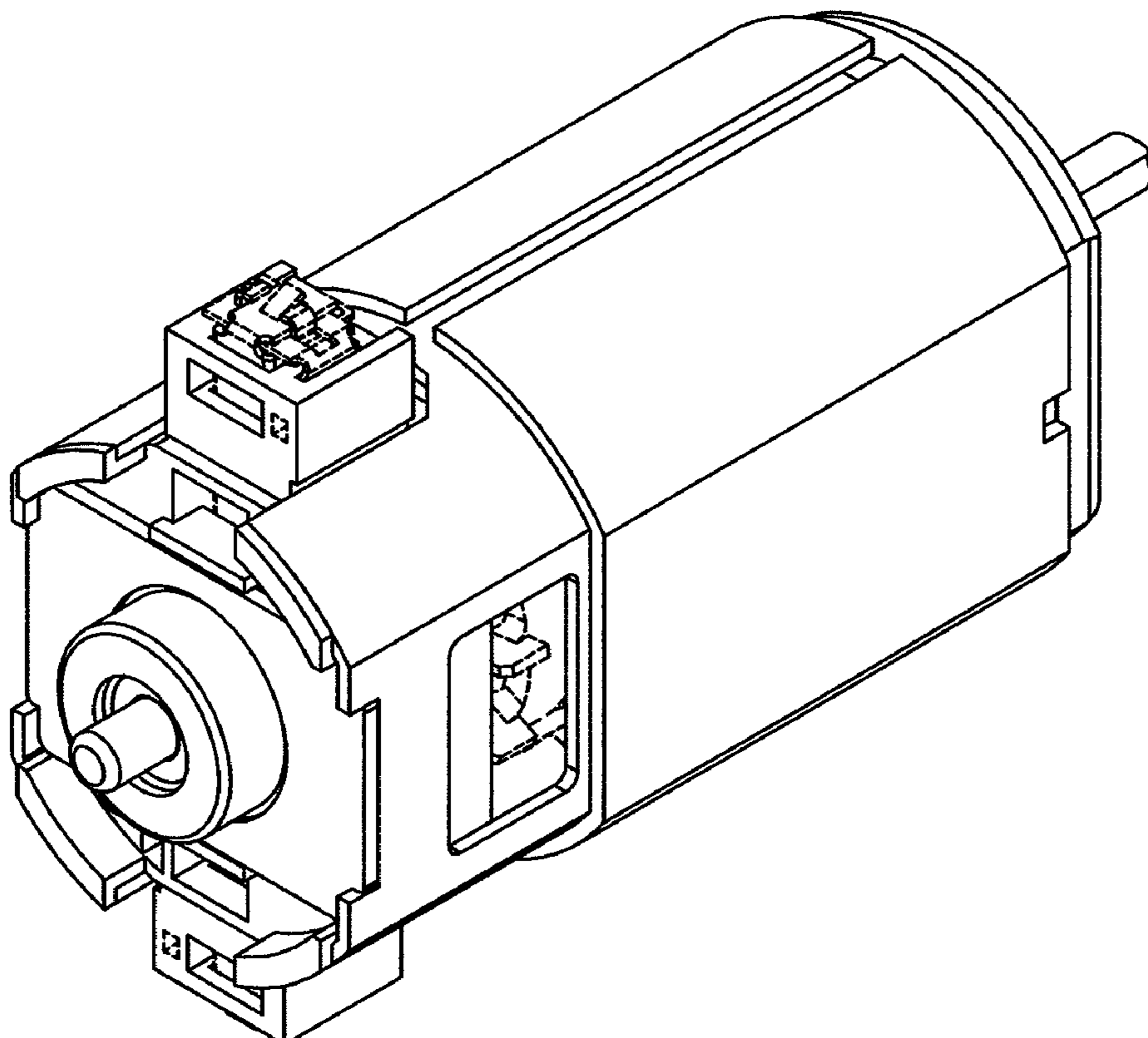
FIG. 5 is a left side elevational view thereof;

FIG. 6 is a right side elevational view thereof; and,

FIG. 7 is a perspective view thereof.

The broken line showing is for illustrative purposes only and forms no part of the claimed design.

1 Claim, 4 Drawing Sheets



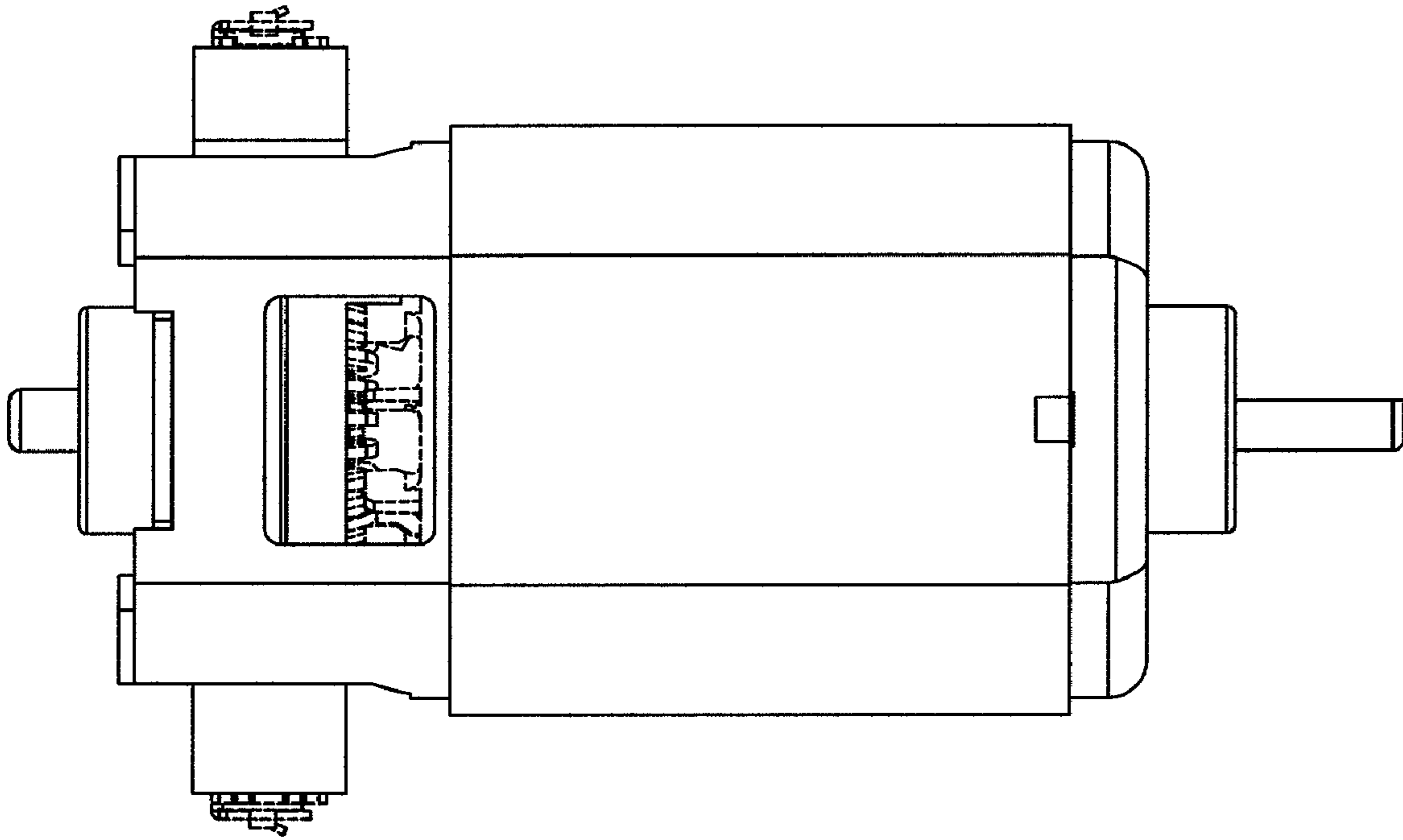


FIG. 1

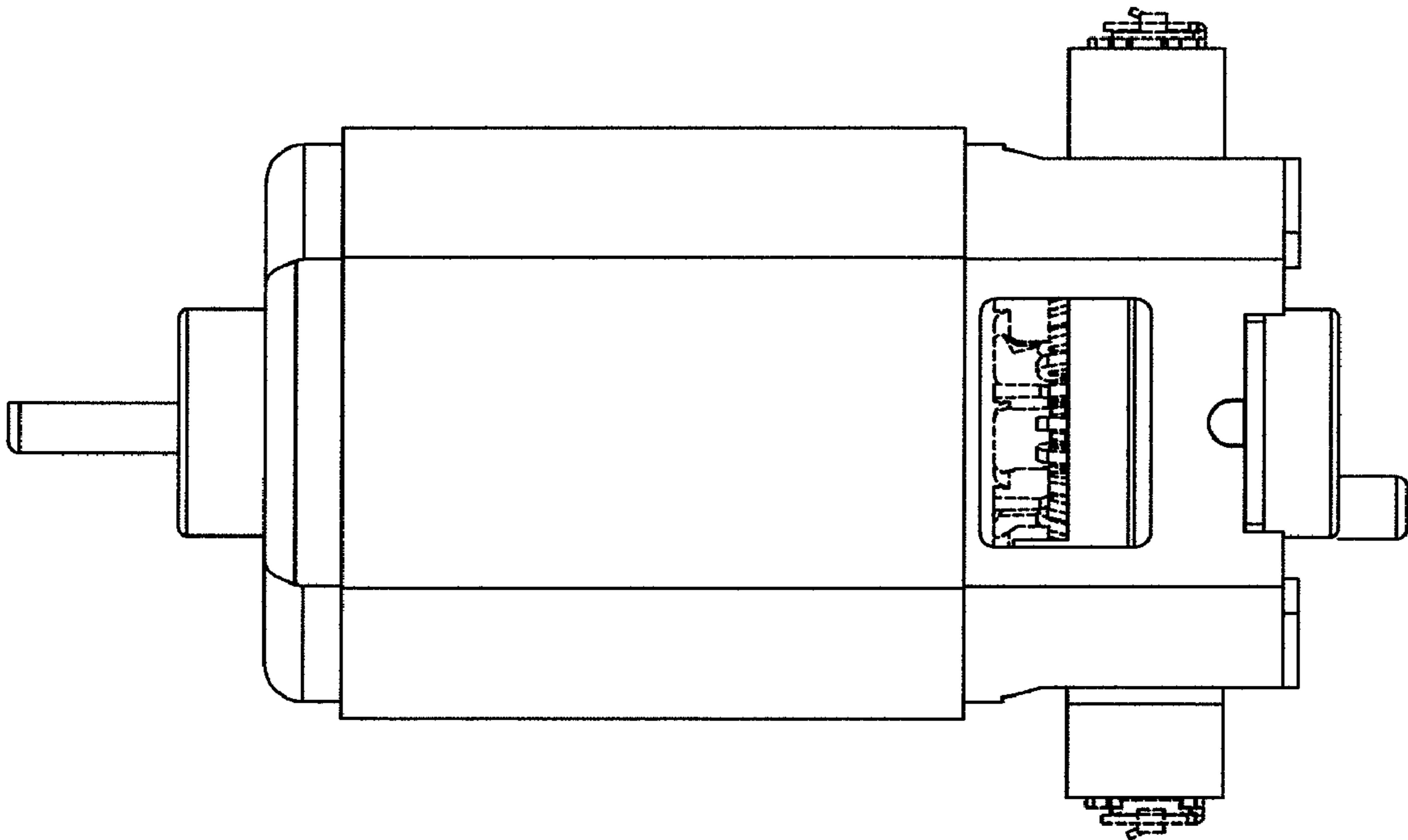


FIG. 2

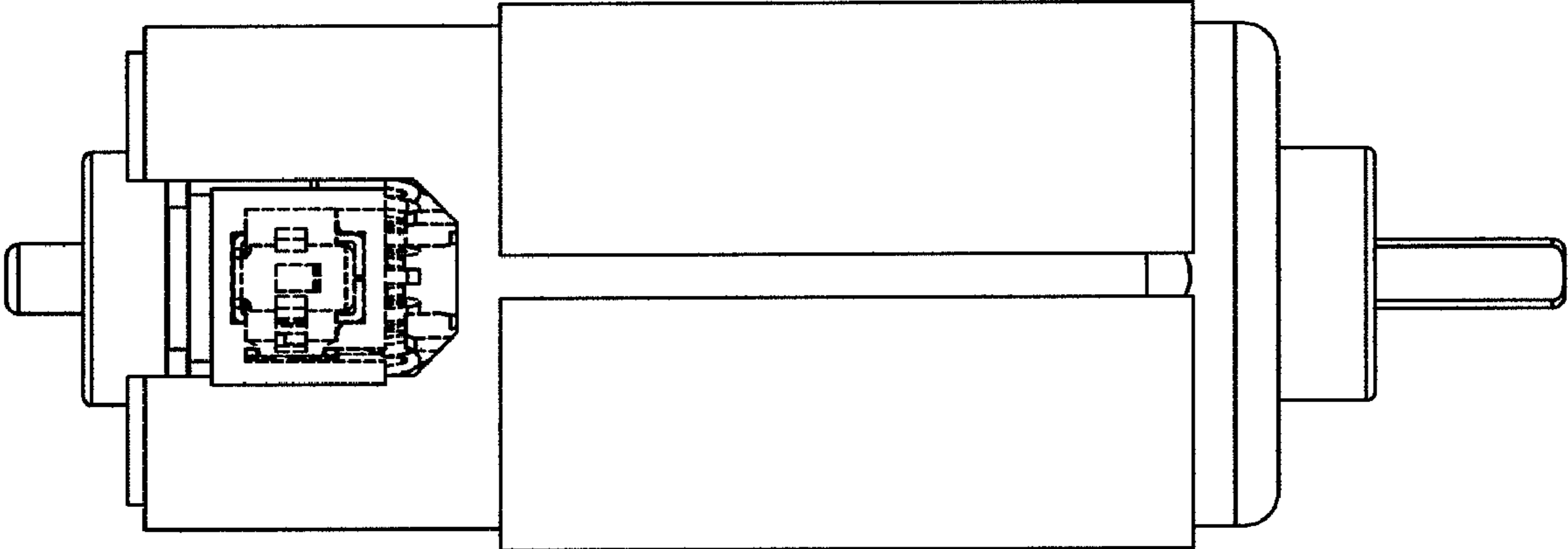


FIG. 3

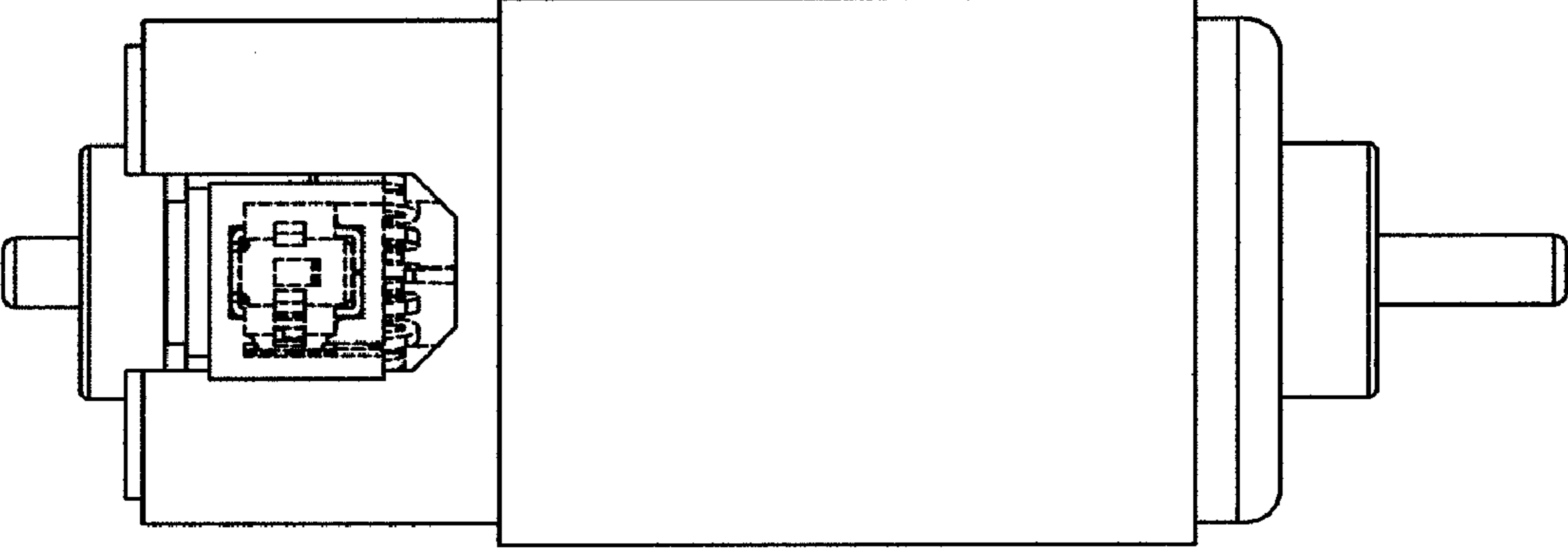


FIG. 4

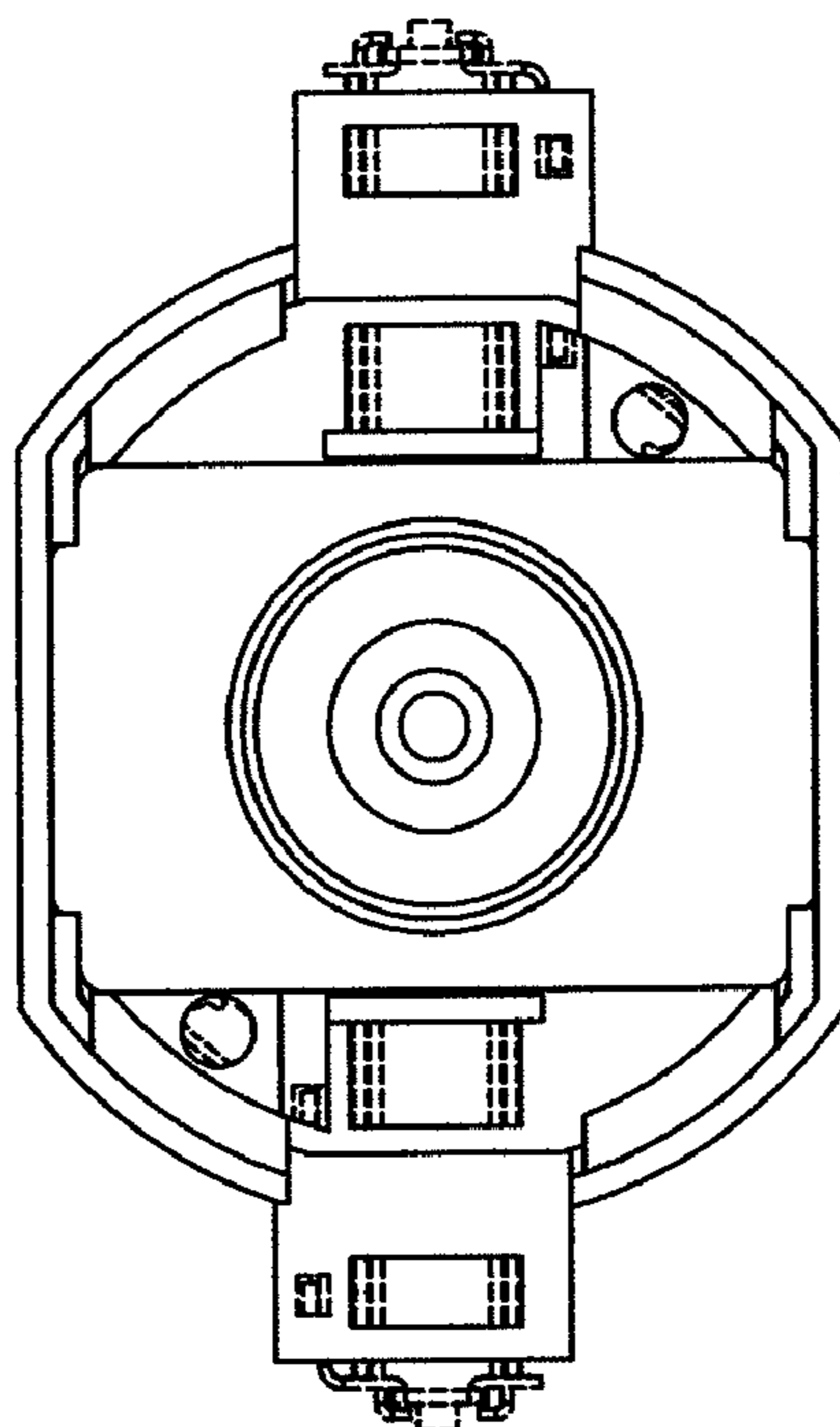


FIG. 5

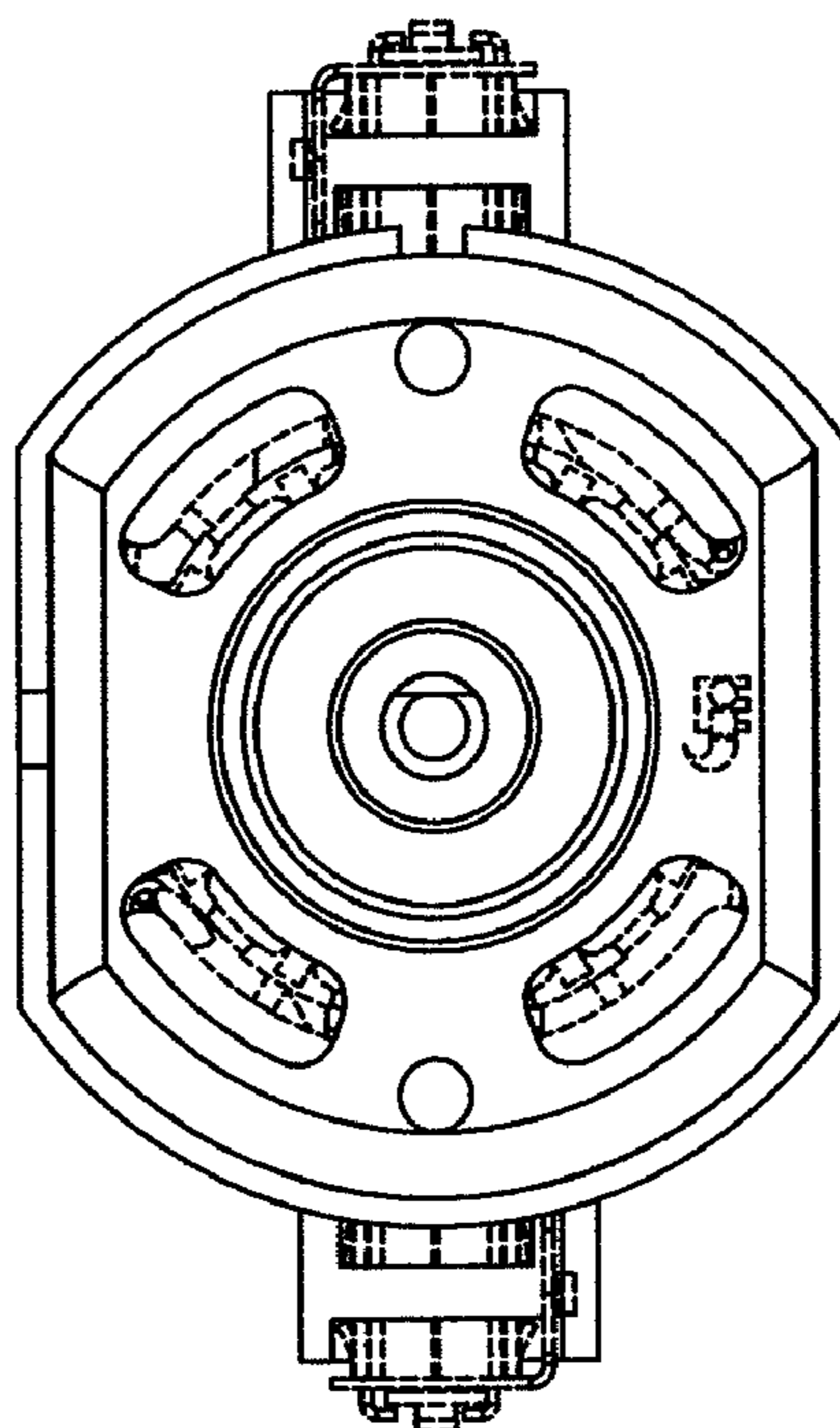


FIG. 6

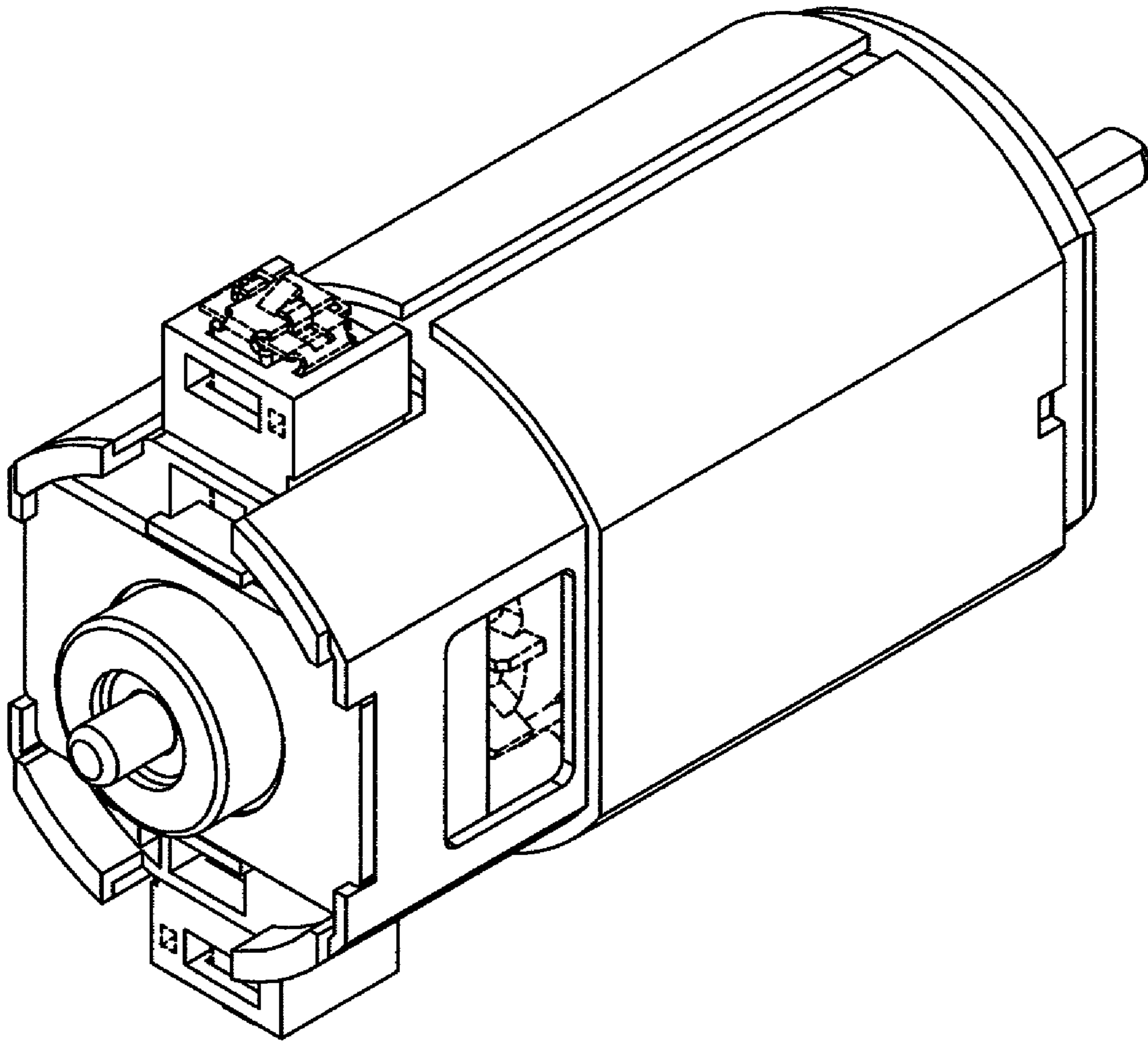


FIG. 7