



US00D601957S

(12) **United States Design Patent**
Blake, Jr. et al.

(10) **Patent No.:** **US D601,957 S**
(45) **Date of Patent:** **** Oct. 13, 2009**

(54) **REMOVEABLE USER INTERFACE MODULE FOR AN UNINTERRUPTIBLE POWER SUPPLY**

D403,662 S * 1/1999 Caldes et al. D13/110
D506,976 S * 7/2005 Dechene et al. D13/110
D535,944 S * 1/2007 Albano et al. D13/110

(75) Inventors: **Arthur Joseph Blake, Jr.**, Leominster, MA (US); **Kyle Brookshire**, Belmont, MA (US); **Meng-Chang Liu**, Puli Township, Nantou County (TW); **Brian Peter McKenna**, Merrimack, NH (US)

* cited by examiner

Primary Examiner—Prabhakar Deshmukh
Assistant Examiner—Derrick Holland
(74) *Attorney, Agent, or Firm*—Lando & Anastasi, LLP

(73) Assignee: **American Power Conversion Corporation**, West Kingston, RI (US)

(57) **CLAIM**

The ornamental design for a removeable user interface module for an uninterruptible power supply, as shown and described.

(**) Term: **14 Years**

(21) Appl. No.: **29/334,545**

DESCRIPTION

(22) Filed: **Mar. 27, 2009**

FIG. 1 is a perspective view of a removeable user interface module for an uninterruptible power supply design including an exemplary LCD display below the upper surface of the module;

(51) **LOC (9) Cl.** **13-02**

(52) **U.S. Cl.** **D13/110**

(58) **Field of Classification Search** D13/110, D13/101, 118, 123, 184, 199; D14/125, D14/353, 355–357, 496; 307/150, 151; 361/600, 361/601, 622, 643, 683–685; 363/146
See application file for complete search history.

FIG. 2 is a top plan view thereof, including an exemplary LCD display below the upper surface of the module;

FIG. 3 is a bottom plan view thereof;

FIG. 4 is a front elevational view thereof;

FIG. 5 is a rear elevational view thereof;

FIG. 6 is a right side elevational view thereof; and,

FIG. 7 is a left side elevational view thereof.

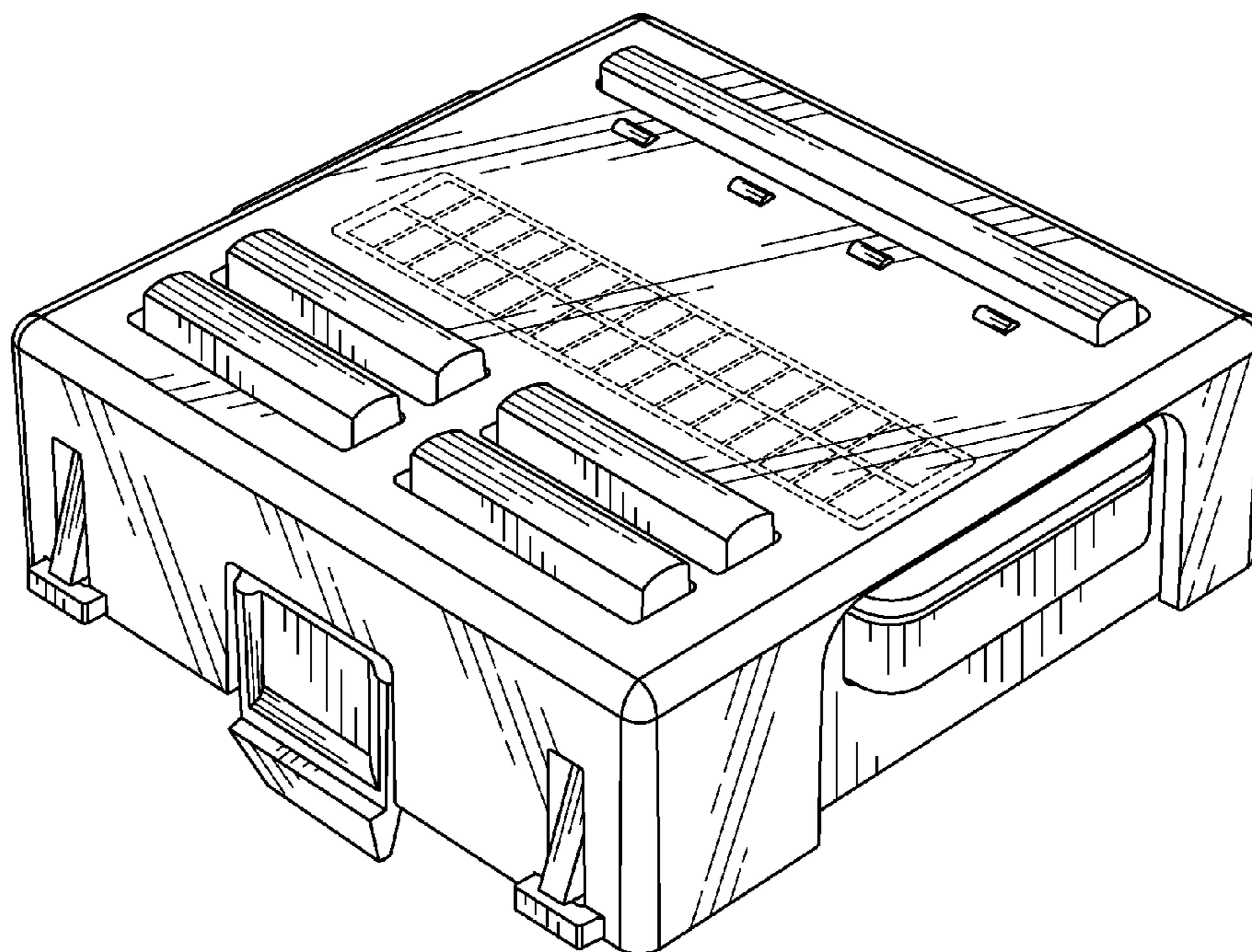
The broken lines showing portions of the removable user interface module for an uninterruptible power supply designs in FIGS. 1–7 are for illustrative purposes only and form no part of the claimed design.

(56) **References Cited**

U.S. PATENT DOCUMENTS

D285,926 S * 9/1986 Kies et al. D14/357
D376,347 S * 12/1996 Mousa D13/110
D383,436 S * 9/1997 Cucci et al. D13/110
D390,532 S * 2/1998 Su D13/110
D394,218 S * 5/1998 Keto et al. D10/50
5,793,627 A * 8/1998 Caldes et al. 363/146

1 Claim, 5 Drawing Sheets



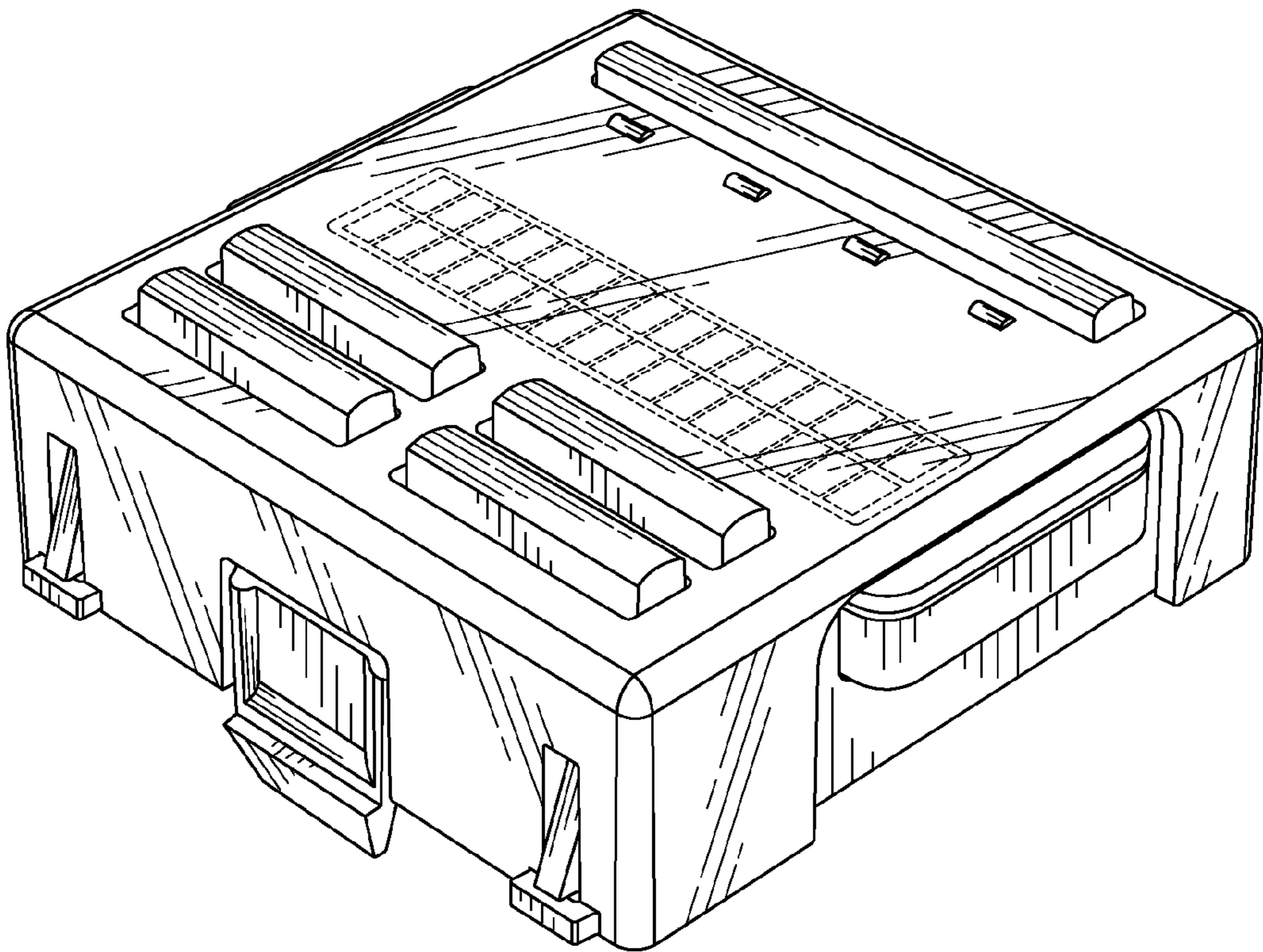


FIG. 1

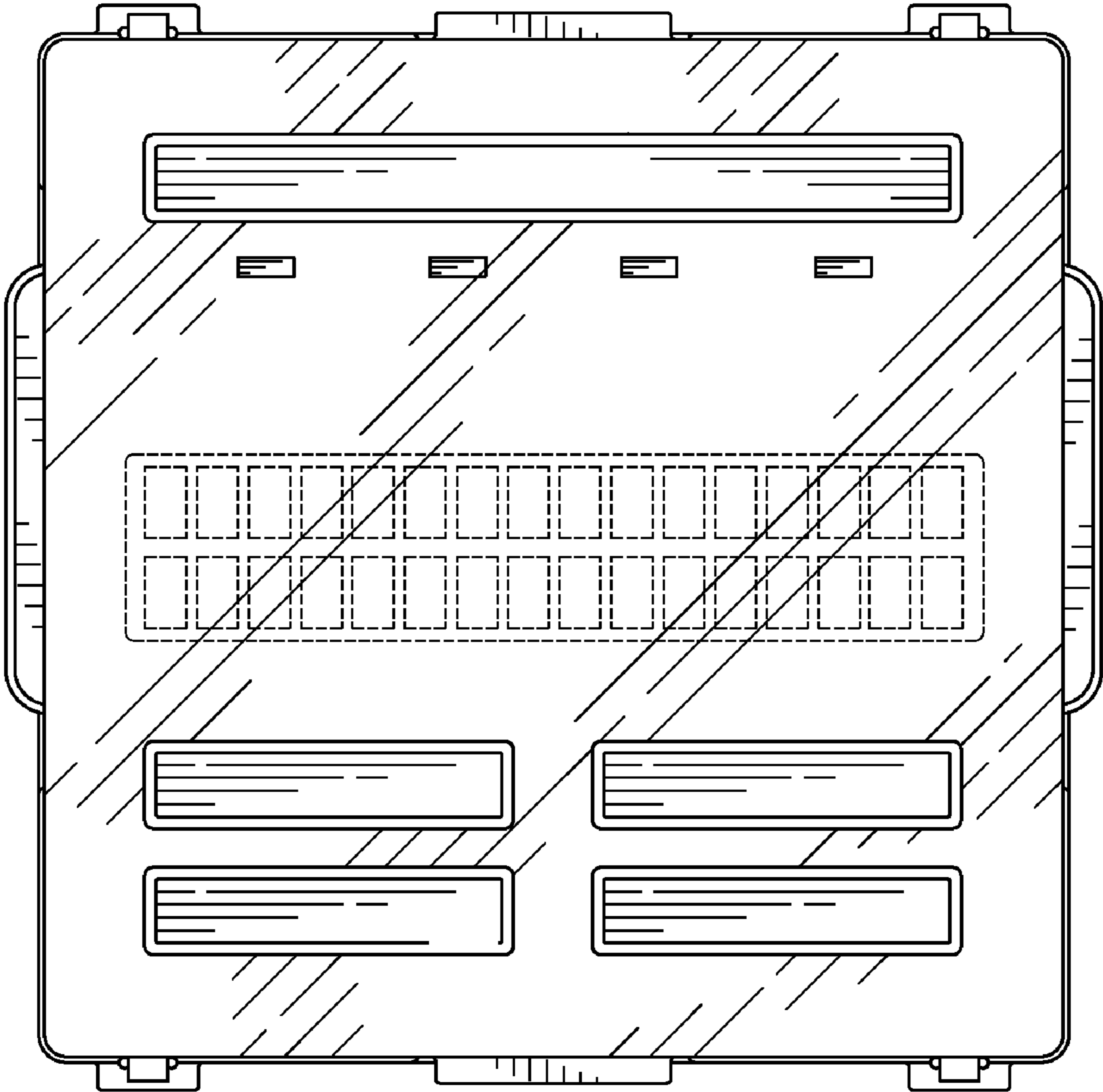


FIG. 2

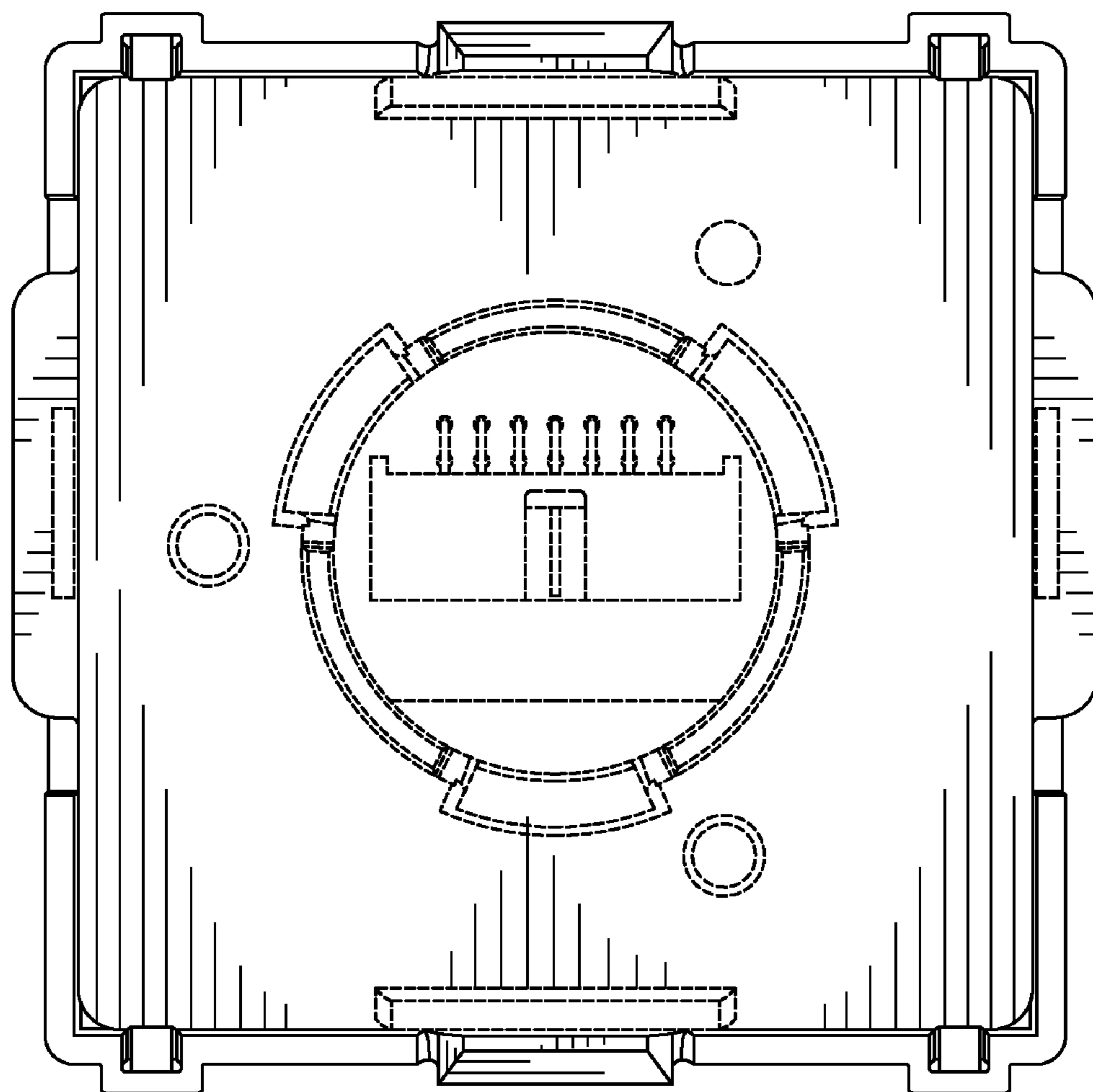


FIG. 3

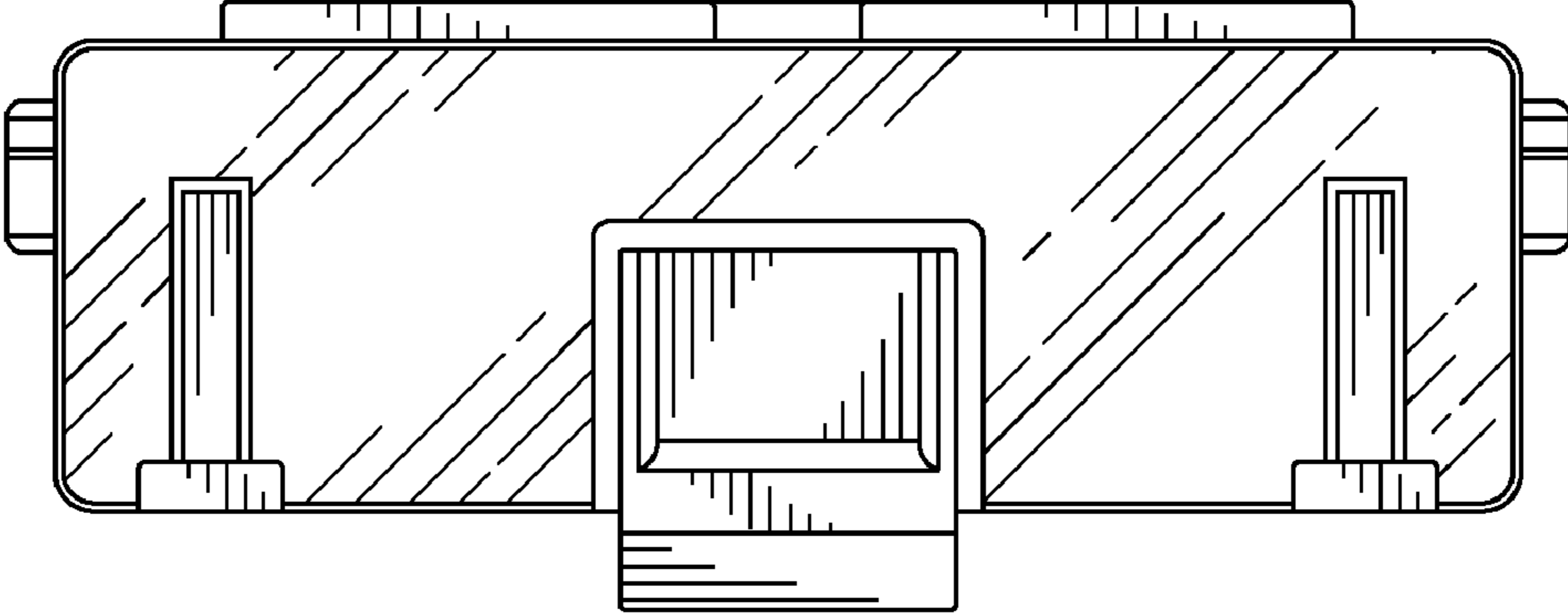


FIG. 4

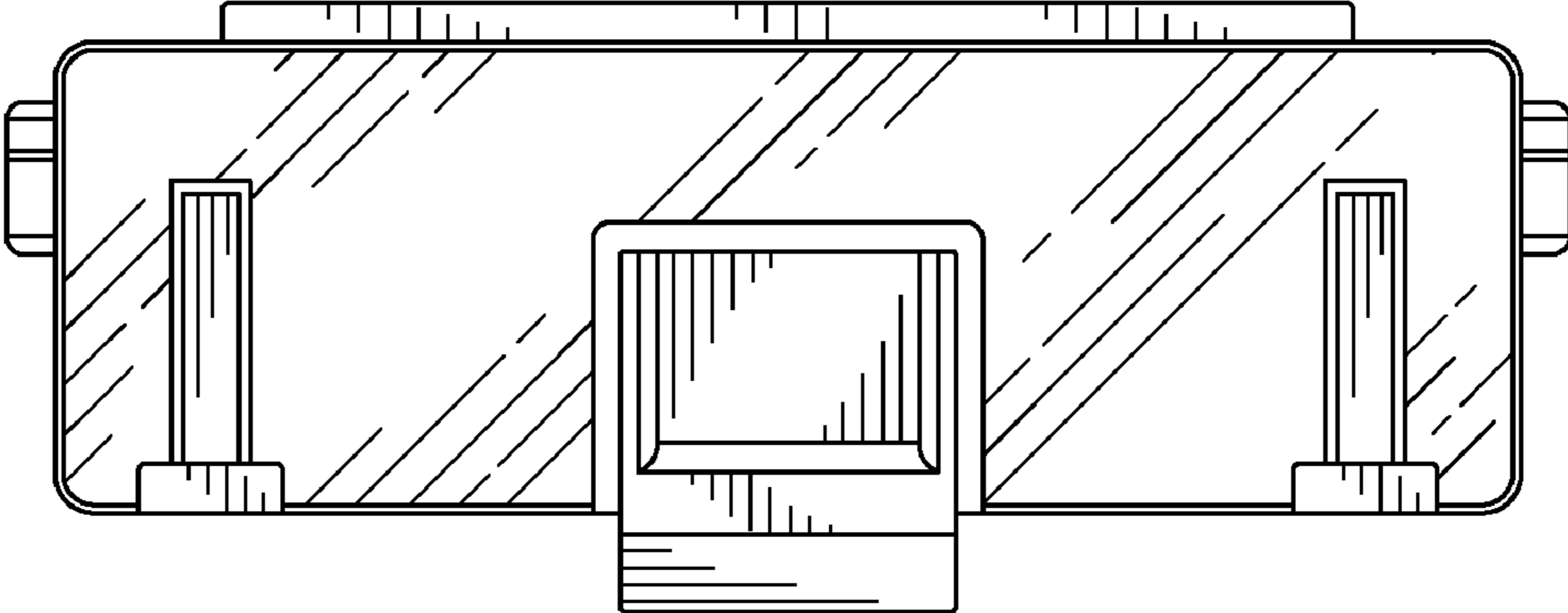


FIG. 5

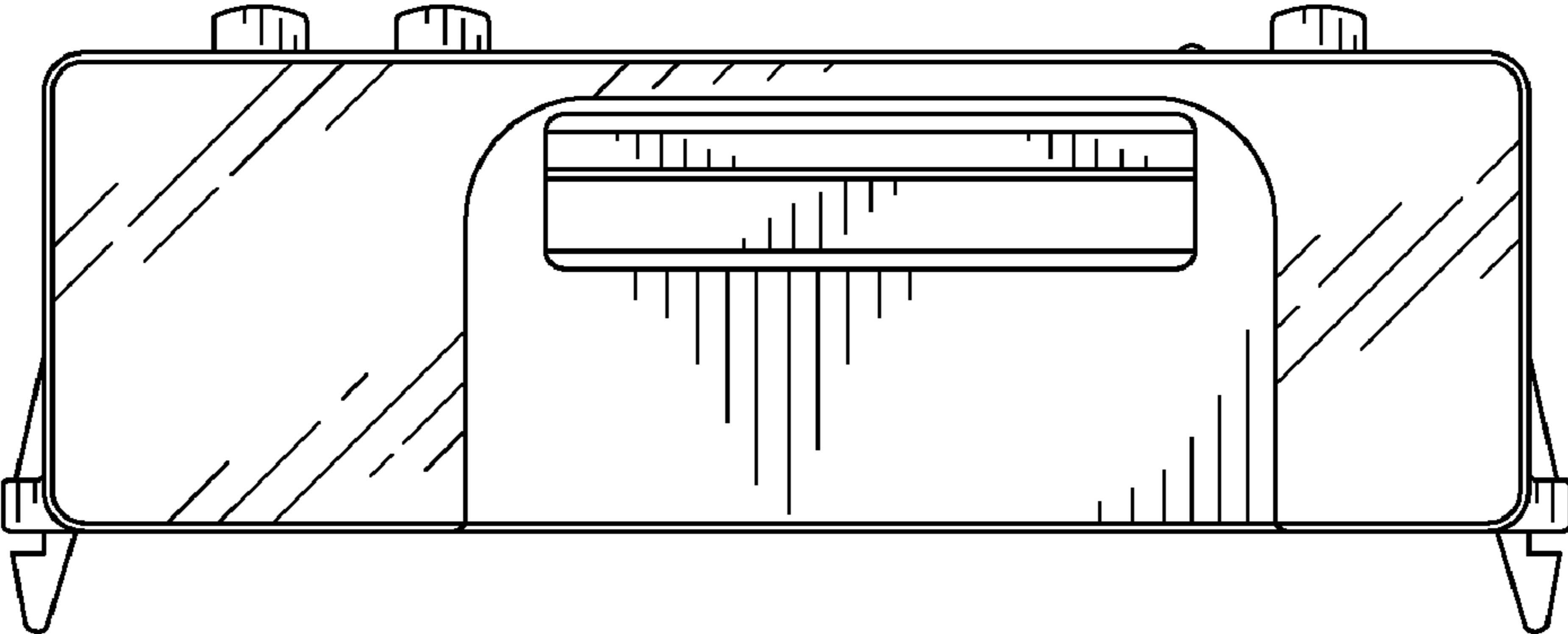


FIG. 6

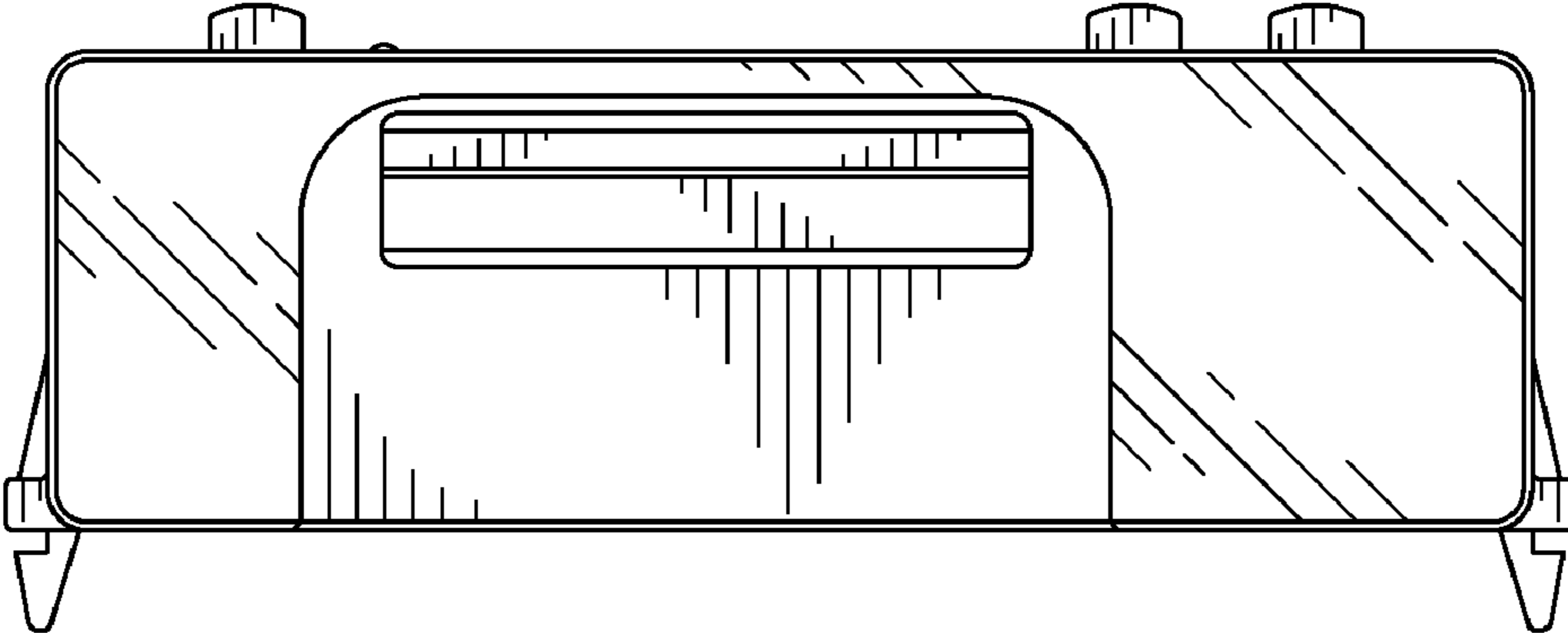


FIG. 7