



US00D601954S

(12) **United States Design Patent**  
**Carmouche, II**

(10) **Patent No.:** **US D601,954 S**

(45) **Date of Patent:** **\*\* Oct. 13, 2009**

(54) **TELEPHONE CHARGER**

(76) **Inventor:** **Ernest J. Carmouche, II**, 802 Priscilla  
La., Lafayette, LA (US) 70501

(\*\*) **Term:** **14 Years**

(21) **Appl. No.:** **29/313,839**

(22) **Filed:** **Feb. 17, 2009**

(51) **LOC (9) Cl.** ..... **13-02**

(52) **U.S. Cl.** ..... **D13/108; D13/102**

(58) **Field of Classification Search** ..... D13/102,  
D13/107-110, 118-119, 184; D14/251,  
D14/253, 432, 434; 320/101-102, 107-115  
See application file for complete search history.

(56) **References Cited**

**U.S. PATENT DOCUMENTS**

4,786,851 A \* 11/1988 Fuji et al. .... 320/101  
D320,649 S \* 10/1991 Fleming ..... D23/386

D395,279 S \* 6/1998 Peress et al. .... D13/107  
D474,444 S \* 5/2003 Elgner ..... D13/102  
D524,727 S \* 7/2006 Yamashita et al. .... D13/102  
7,422,817 B2 \* 9/2008 Wang et al. .... 429/34  
D588,534 S \* 3/2009 Sharma et al. .... D13/102  
D591,229 S \* 4/2009 Sharma et al. .... D13/102

\* cited by examiner

*Primary Examiner*—Jennifer Rivard

*Assistant Examiner*—Rosemary K Tarcza

(74) *Attorney, Agent, or Firm*—Richard L. Mikesell

(57) **CLAIM**

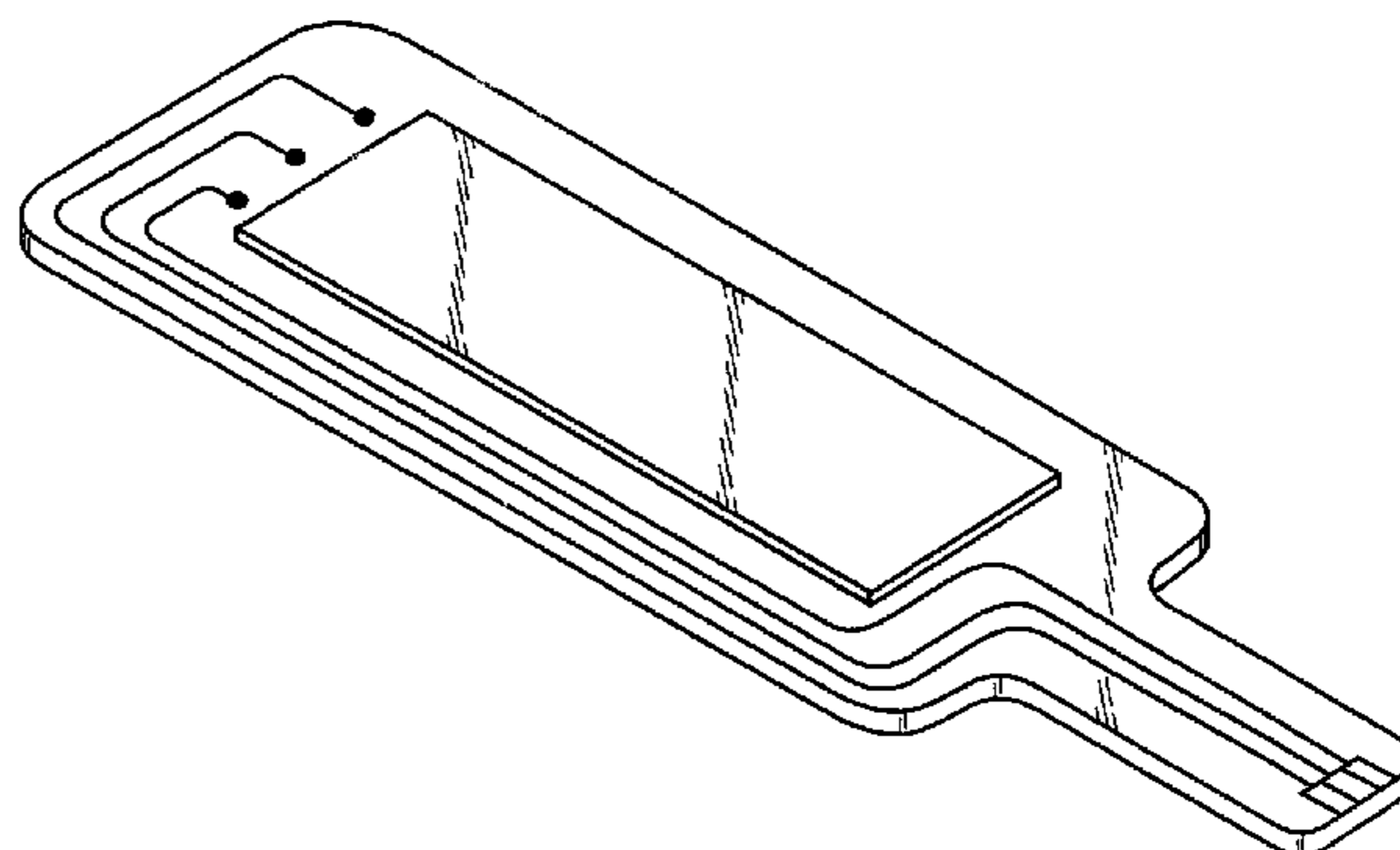
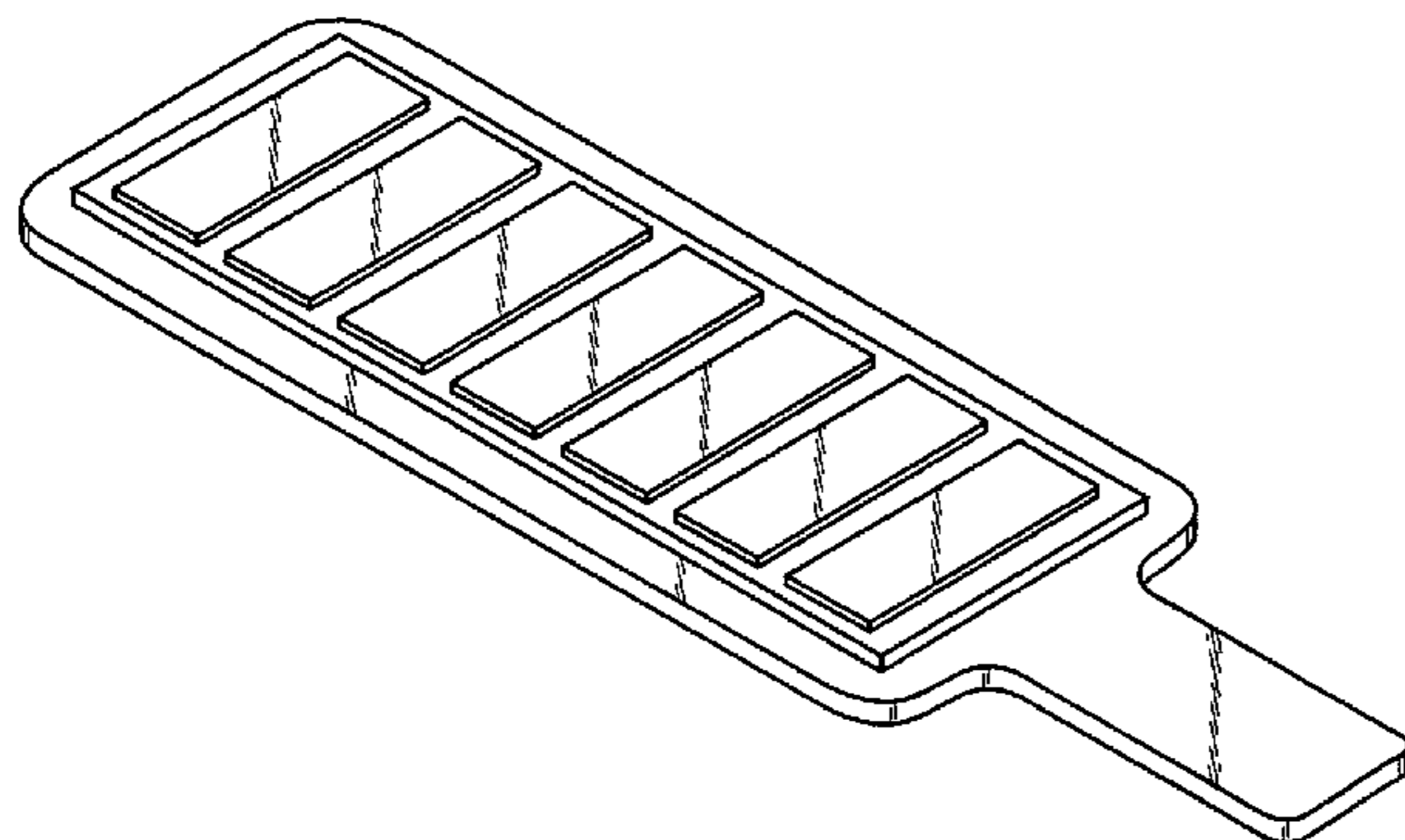
The ornamental design for a telephone charger, as shown and described.

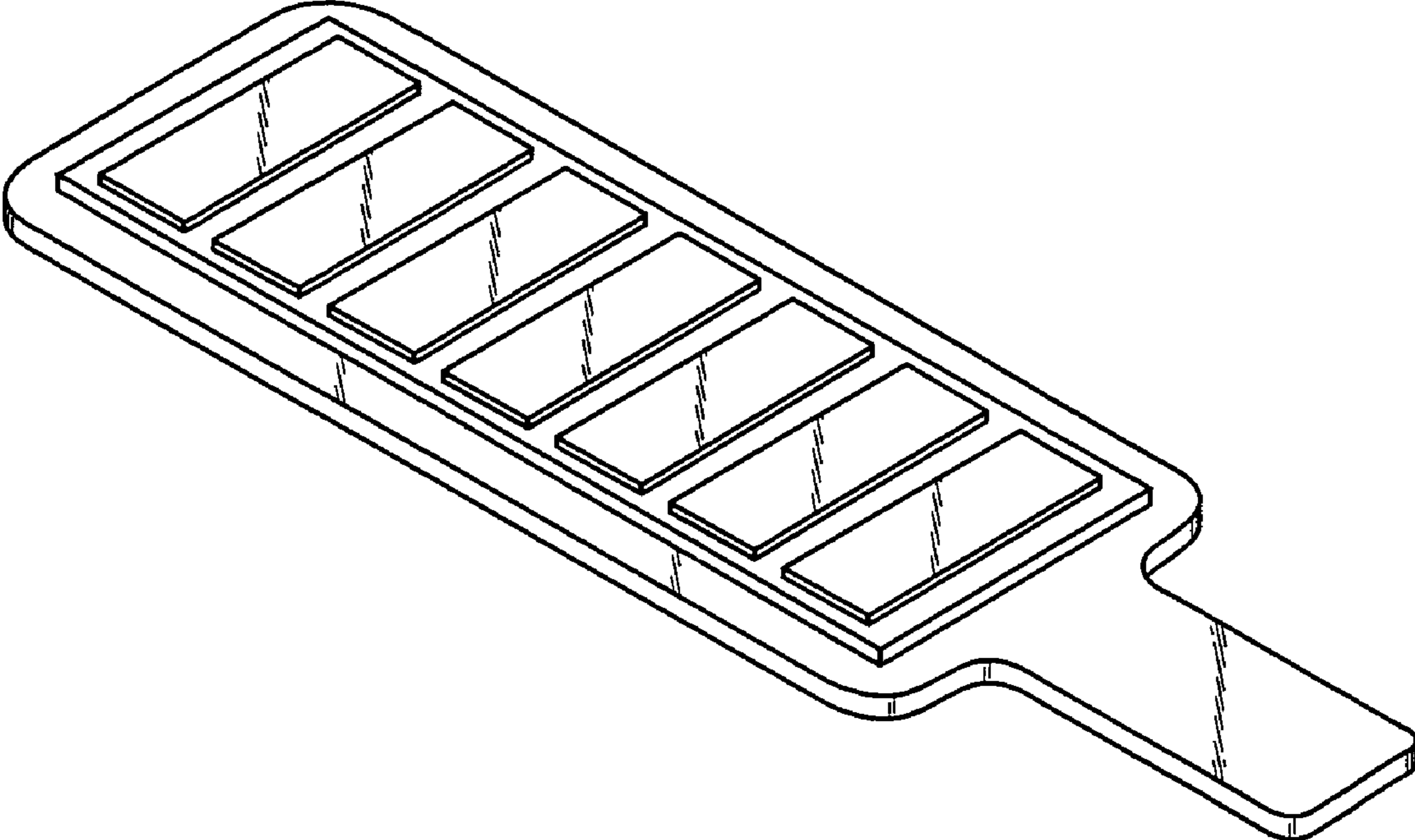
**DESCRIPTION**

FIG. 1: Top right perspective view; and,

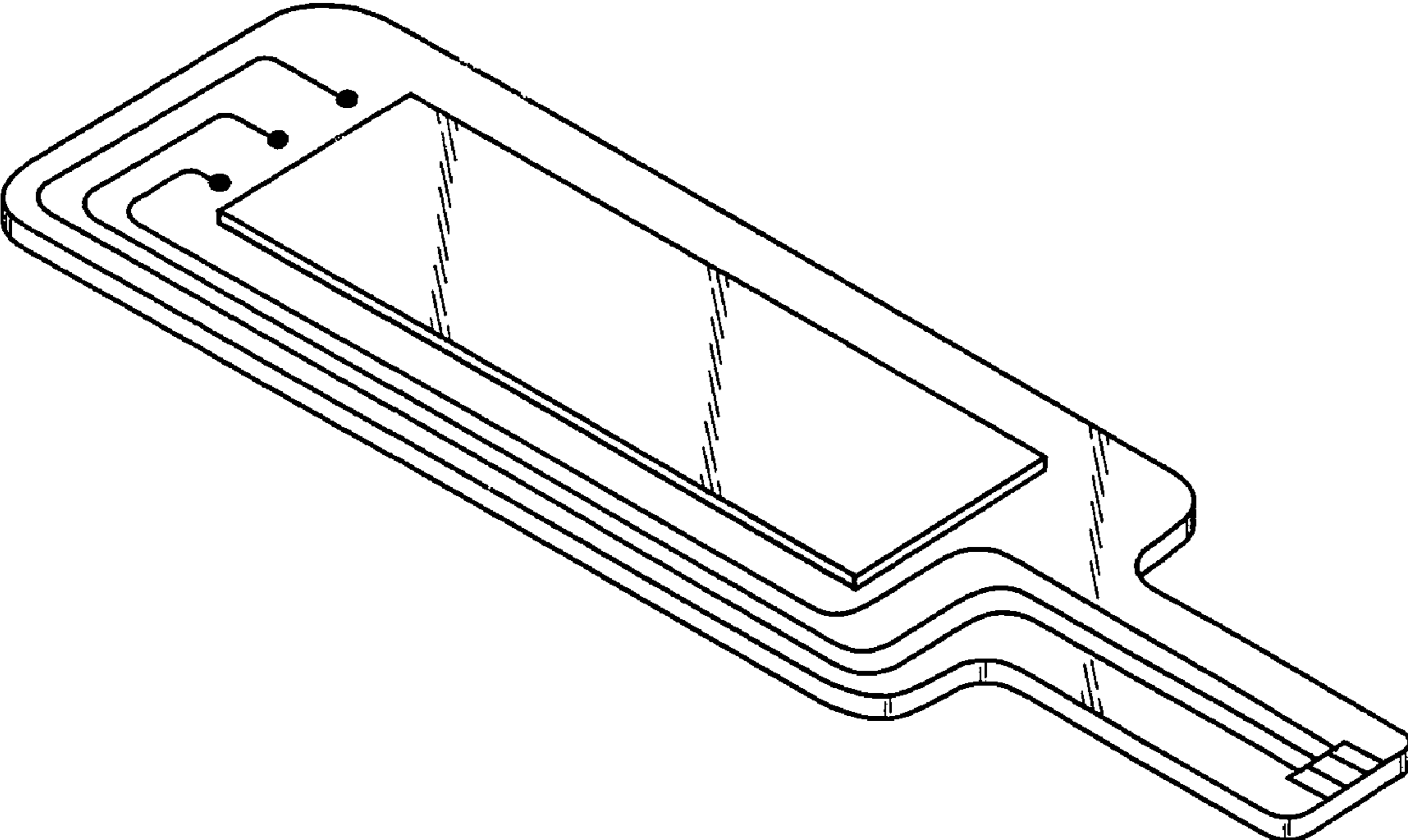
FIG. 2: Bottom left perspective view.

**1 Claim, 1 Drawing Sheet**





**Fig. 1**



**Fig. 2**