



US00D601941S

(12) **United States Design Patent**  
**Ashton et al.**

(10) **Patent No.:** **US D601,941 S**  
(45) **Date of Patent:** **\*\* Oct. 13, 2009**

(54) **TIRE**

(75) Inventors: **Charles Joseph Ashton**, Cuyahoga Falls, OH (US); **Shannon Joseph Hughes**, Rootstown, OH (US); **Karl Eric Sundkvist**, Akron, OH (US); **Kevin Lee Burnworth**, Cuyahoga Falls, OH (US); **John Joseph Kantura, III**, Hiram, OH (US); **Darin Andrew Murphy**, Canton, OH (US); **Jonathan James Shondel**, Massillon, OH (US)

(73) Assignee: **The Goodyear Tire & Rubber Company**, Akron, OH (US)

(\*\*) Term: **14 Years**

(21) Appl. No.: **29/303,054**

(22) Filed: **Jan. 31, 2008**

(51) **LOC (9) Cl.** ..... **12-15**

(52) **U.S. Cl.** ..... **D12/531**

(58) **Field of Classification Search** ..... D12/505-532,  
D12/900-901; 152/209.1, 209.8-209.18,  
152/209.25-209.28

See application file for complete search history.

(56) **References Cited**

**U.S. PATENT DOCUMENTS**

D326,632 S *	6/1992	Tsuda et al. ....	D12/531
D328,582 S *	8/1992	Covert et al. ....	D12/531
D340,212 S	10/1993	Montag et al. ....	D12/147
D394,032 S	5/1998	Maxwell .....	D12/147
D409,959 S	5/1999	Maxwell .....	D12/147
D471,152 S	3/2003	Graas et al. ....	D12/563
D484,845 S *	1/2004	Takahashi et al. ....	D12/531
D490,047 S	5/2004	Heinen et al. ....	D12/524
D490,049 S	5/2004	Heinen et al. ....	D12/524
D491,130 S	6/2004	Welbes .....	D12/563

D491,134 S	6/2004	Brayer et al. ....	D12/588
D495,990 S	9/2004	Graas .....	D12/563
D504,107 S	4/2005	Matsumoto et al. ....	D12/563
D509,786 S	9/2005	Matsumoto et al. ....	D12/563
D516,998 S	3/2006	Wang et al. ....	D12/563
D524,234 S *	7/2006	Schmalix et al. ....	D12/521
D529,861 S *	10/2006	Takahashi et al. ....	D12/531
D544,431 S *	6/2007	Graas et al. ....	D12/532
D547,716 S	7/2007	Ochi .....	D12/518
D551,157 S *	9/2007	Shondel .....	D12/524
D551,612 S *	9/2007	Maxwell et al. ....	D12/532
D556,120 S *	11/2007	Krupa et al. ....	D12/521
D559,167 S *	1/2008	Krenz et al. ....	D12/521
D571,283 S *	6/2008	Neidert et al. ....	D12/530
D574,316 S *	8/2008	Neidert et al. ....	D12/531
D593,483 S *	6/2009	Lee et al. ....	D12/530

\* cited by examiner

*Primary Examiner*—Stacia Cadmus

(74) *Attorney, Agent, or Firm*—Richard B. O’Planick

(57) **CLAIM**

The ornamental design for a tire, as shown and described.

**DESCRIPTION**

FIG. 1 is a perspective view of a tire showing our new design, it being understood that the pattern repeats uniformly throughout the circumference of the tread;

FIG. 2 is a front elevational view thereof;

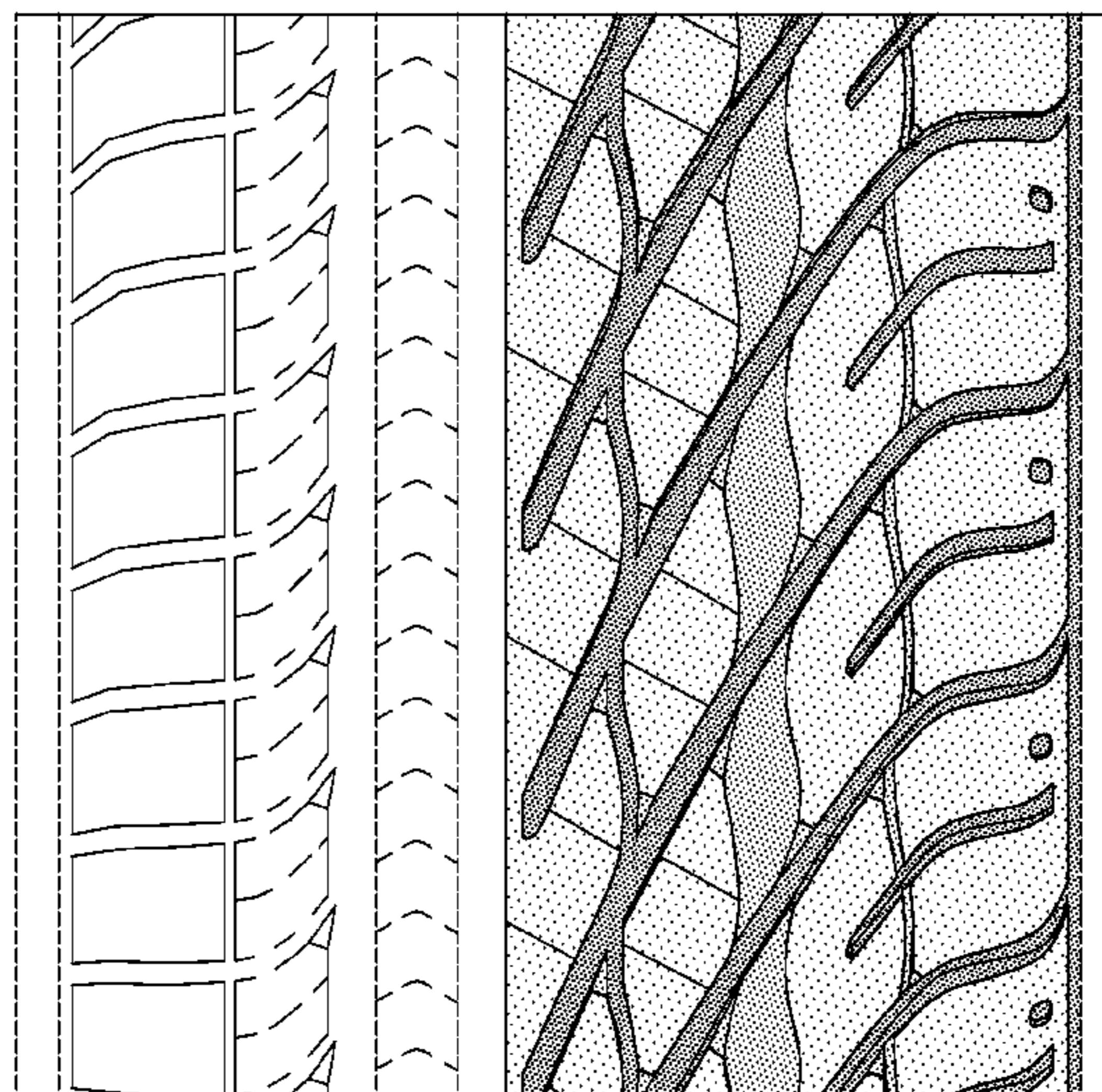
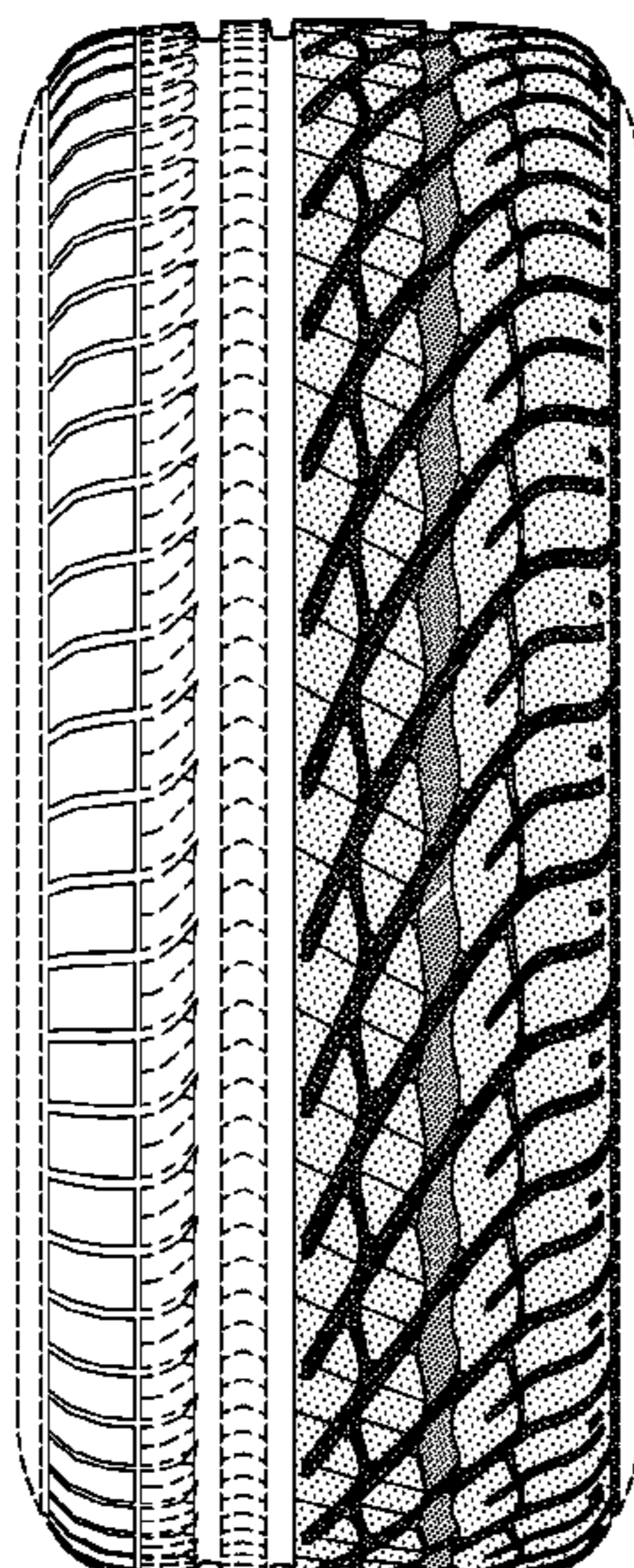
FIG. 3 is a right side elevational view thereof;

FIG. 4 is a left side elevational view thereof; and,

FIG. 5 is an enlarged fragmentary front elevational view thereof.

In the drawings, the broken lines defining the sidewall, inner bead and the peripheral boundary between the claimed tire tread and the unclaimed sidewall depict environmental subject matter that forms no part of the claimed design.

**1 Claim, 5 Drawing Sheets**



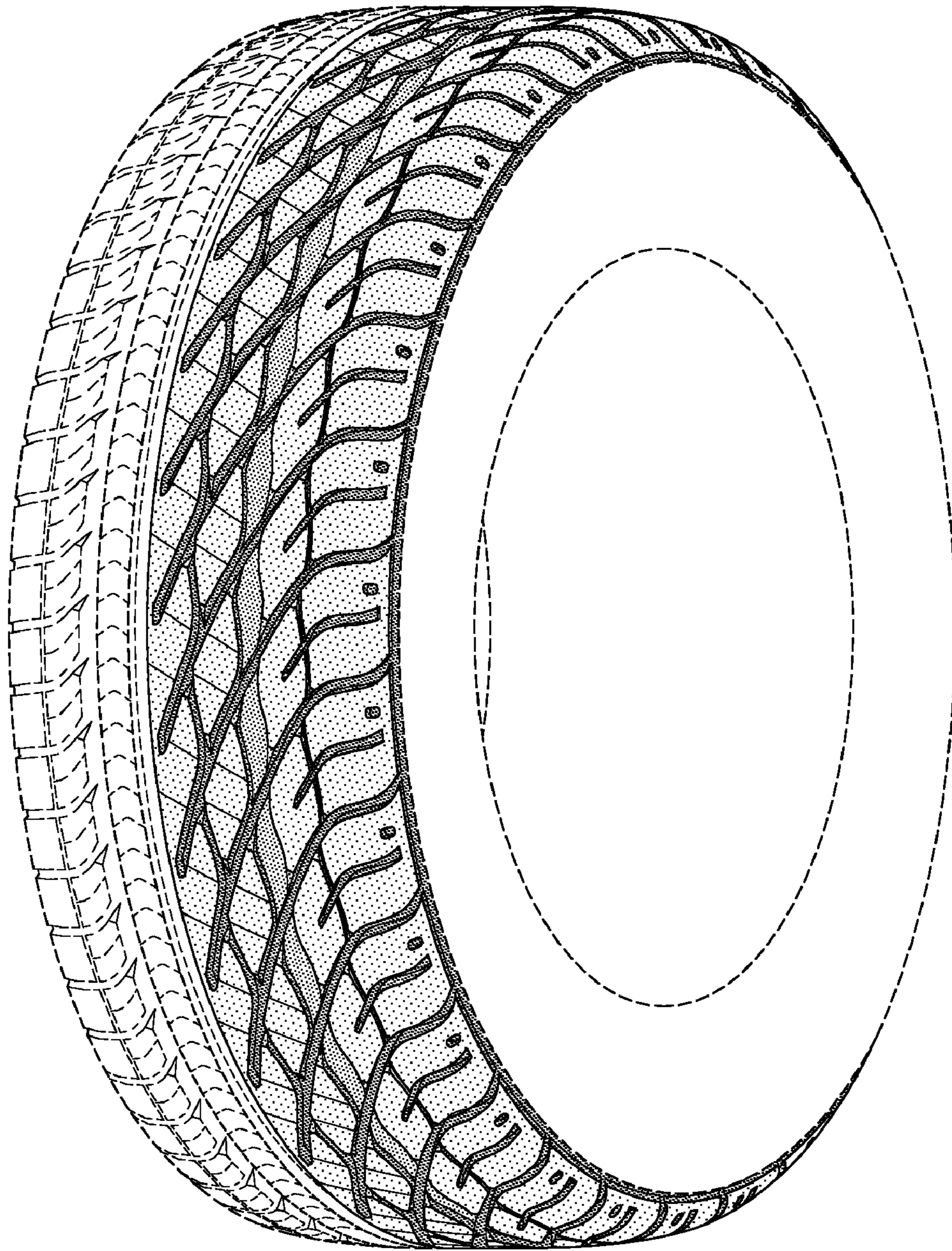


FIG-1

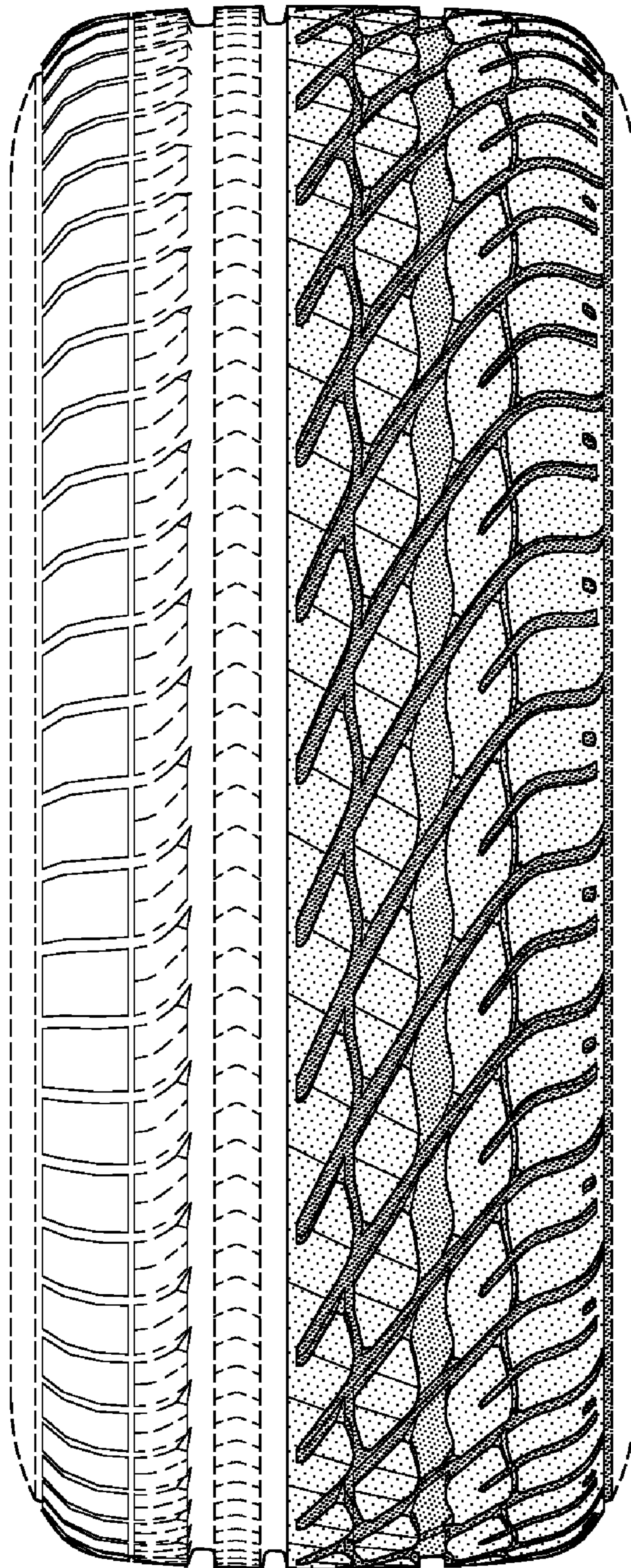


FIG-2

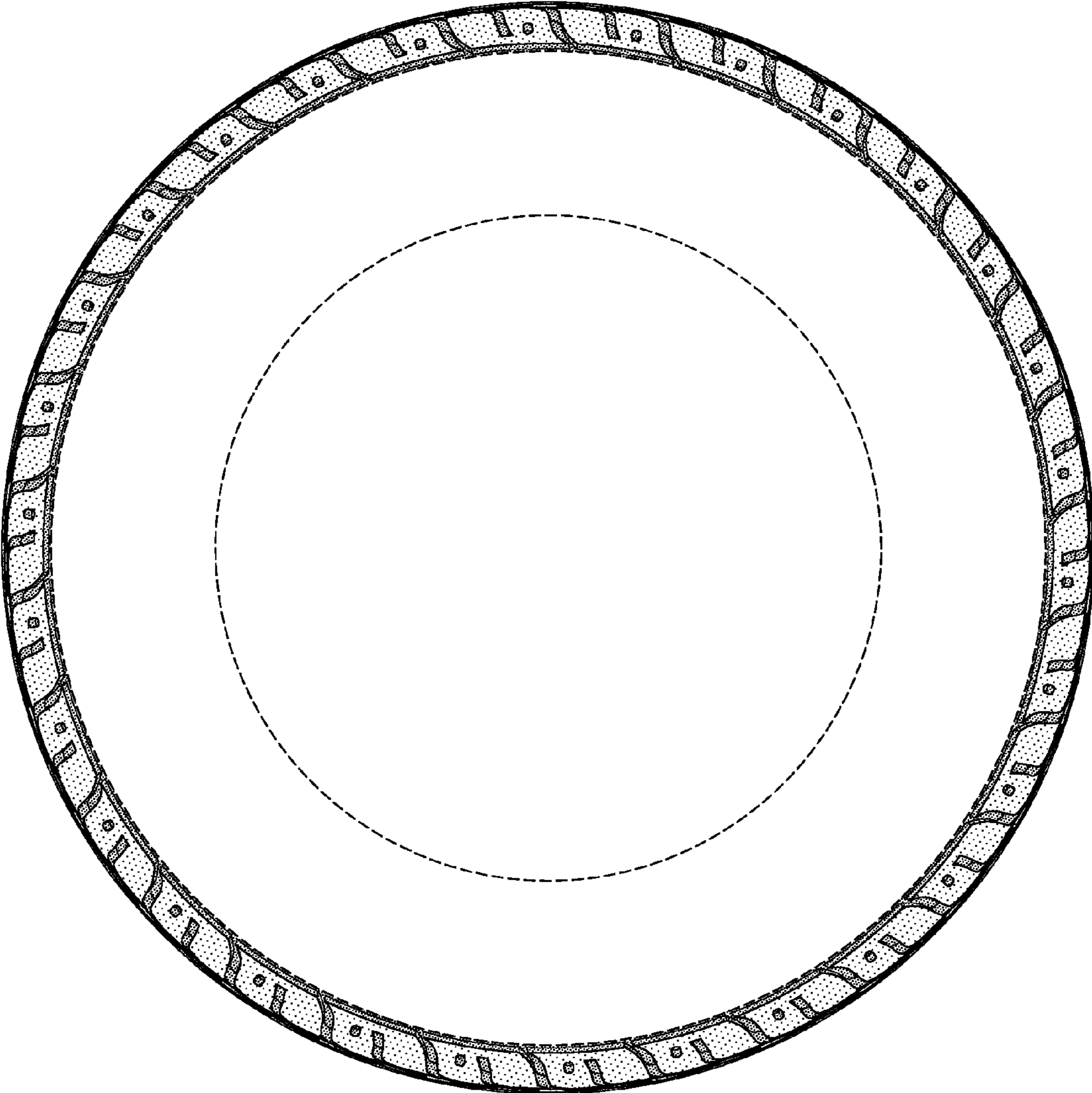


FIG-3

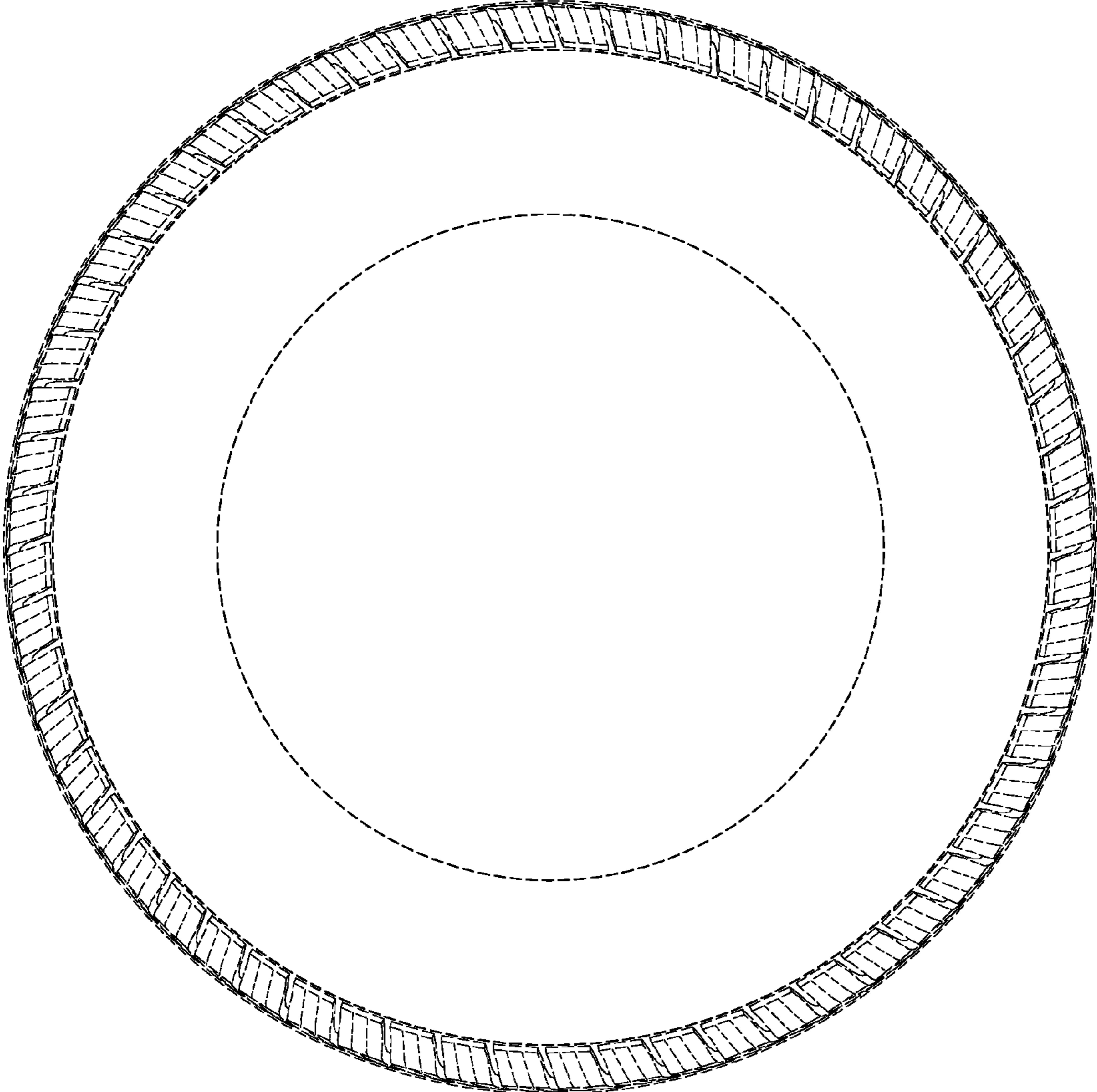


FIG-4

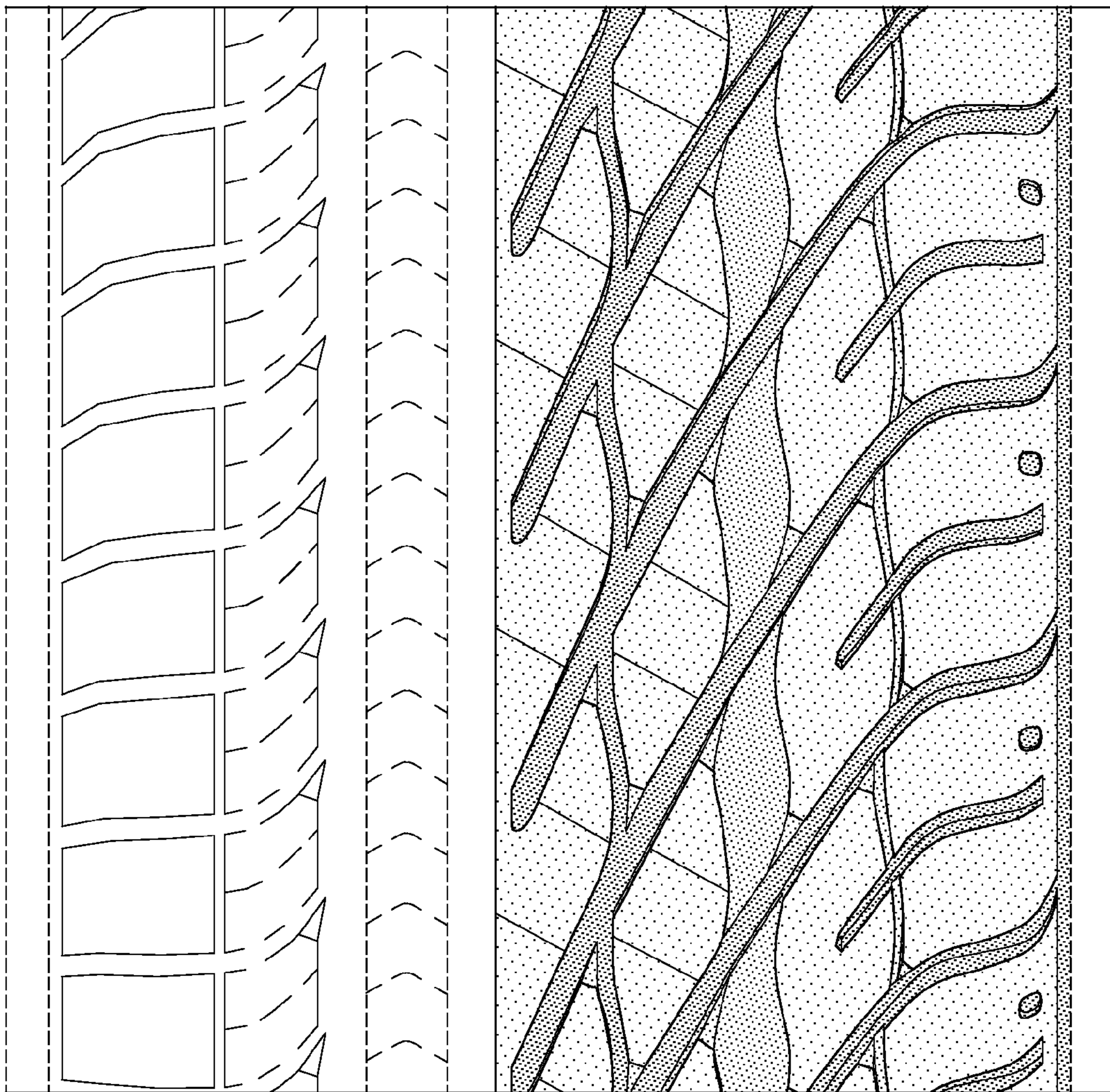


FIG-5