



US00D601940S

(12) **United States Design Patent**
Hughes et al.

(10) **Patent No.:** **US D601,940 S**
(45) **Date of Patent:** **** Oct. 13, 2009**

(54) **TIRE**
(75) Inventors: **Shannon Joseph Hughes**, Rootstown, OH (US); **Dale Edward Umstot**, Atwater, OH (US); **Karl Eric Sundkvist**, Akron, OH (US); **Paul Bryan Maxwell**, Kent, OH (US)

D551,612 S 9/2007 Maxwell et al. D12/532
D571,283 S * 6/2008 Neidert et al. D12/530
D574,316 S * 8/2008 Neidert et al. D12/531
D582,838 S 12/2008 Park et al. D12/524
D582,839 S 12/2008 Lee et al. D12/530
D584,215 S 1/2009 Shavers et al. D12/532
D591,671 S * 5/2009 Lee D12/531
D592,586 S 5/2009 Maxwell et al. D12/531

(73) Assignee: **The Goodyear Tire & Rubber Company**, Akron, OH (US)

* cited by examiner

(**) Term: **14 Years**

Primary Examiner—Stacia Cadmus

(74) *Attorney, Agent, or Firm*—Richard B. O’Planick

(21) Appl. No.: **29/338,041**

(57) **CLAIM**

(22) Filed: **Jun. 3, 2009**

The ornamental design for a tire, as shown and described.

(51) **LOC (9) Cl.** **12-15**
(52) **U.S. Cl.** **D12/521; D12/531**
(58) **Field of Classification Search** D12/505–532,
D12/900–901; 152/209.1, 209.8–209.19,
152/209.25, 209.28, 455
See application file for complete search history.

DESCRIPTION

FIG. 1 is a perspective view of a tire showing our new design, it being understood that the pattern repeats uniformly throughout the circumference of the tread;

FIG. 2 is a front elevational view thereof;

FIG. 3 is a right side elevational view thereof;

FIG. 4 is a left side elevational view thereof;

FIG. 5 is an enlarged fragmentary front elevational view thereof;

FIG. 6 is a perspective view of a second embodiment of a tire showing our new design, it being understood that the pattern repeats uniformly throughout the circumference of the tread; and,

FIG. 7 is a front elevational view of a second embodiment, it being understood that an enlarged fragmentary view thereof would be substantially identical to that shown in FIG. 5, with the exception of the inclusion of the sidewall in solid lines.

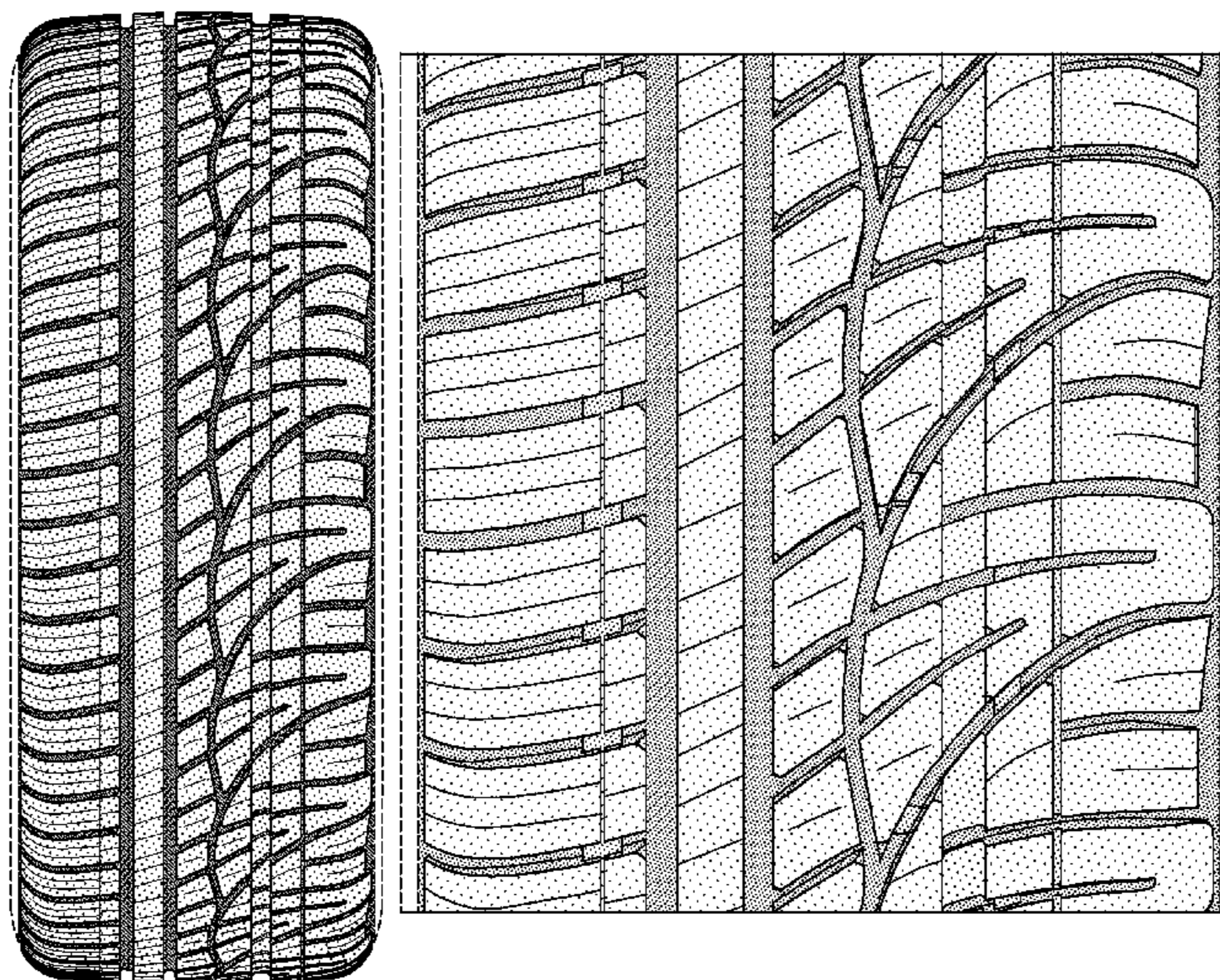
In the drawings, the broken lines showing of the sidewall, inner bead and the peripheral boundary between the tire tread and the sidewall in FIGS. 1 through 5 depict environmental subject matter and form no part of the claimed design.

(56) **References Cited**

U.S. PATENT DOCUMENTS

D295,031 S 4/1988 Fontaine et al. D12/146
D383,103 S * 9/1997 Ratliff, Jr. D12/532
D385,833 S * 11/1997 Ratliff, Jr. D12/532
D390,817 S 2/1998 Graas et al. D12/147
D394,032 S * 5/1998 Maxwell D12/514
D408,000 S * 4/1999 Otani et al. D12/532
D409,959 S 5/1999 Maxwell D12/147
D451,868 S 12/2001 Graas et al. D12/147
D483,003 S 12/2003 Shirouzo D12/517
D484,845 S 1/2004 Takahashi et al. D12/531
D498,204 S * 11/2004 Sato D12/531
D502,911 S 3/2005 Sato D12/531
D512,958 S 12/2005 Allison et al. D12/552
D525,579 S 7/2006 Graas D12/514
D529,861 S * 10/2006 Takahashi et al. D12/531
D544,430 S 6/2007 Fontaine et al. D12/530
D551,157 S 9/2007 Shondel D12/524

1 Claim, 7 Drawing Sheets



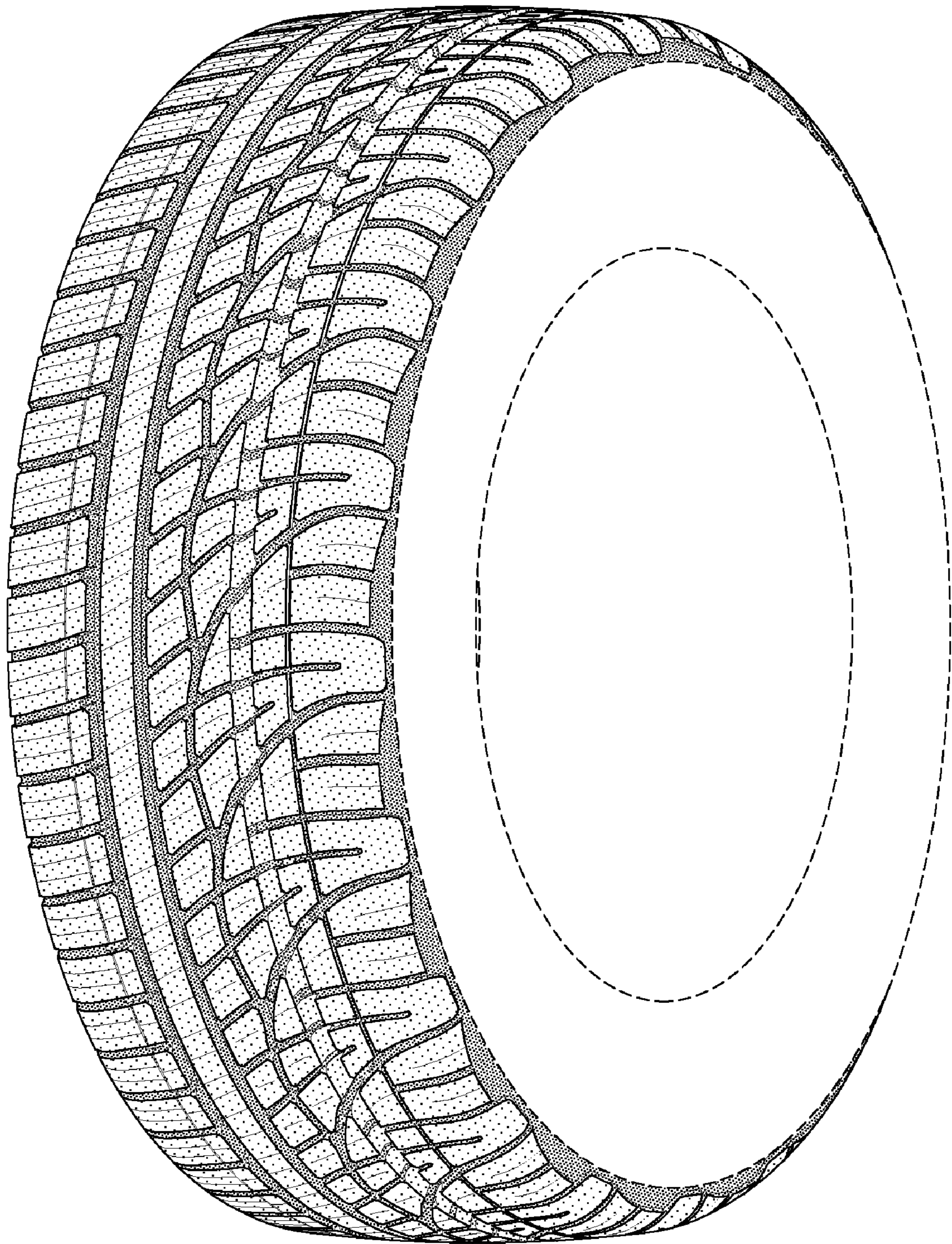


FIG-1

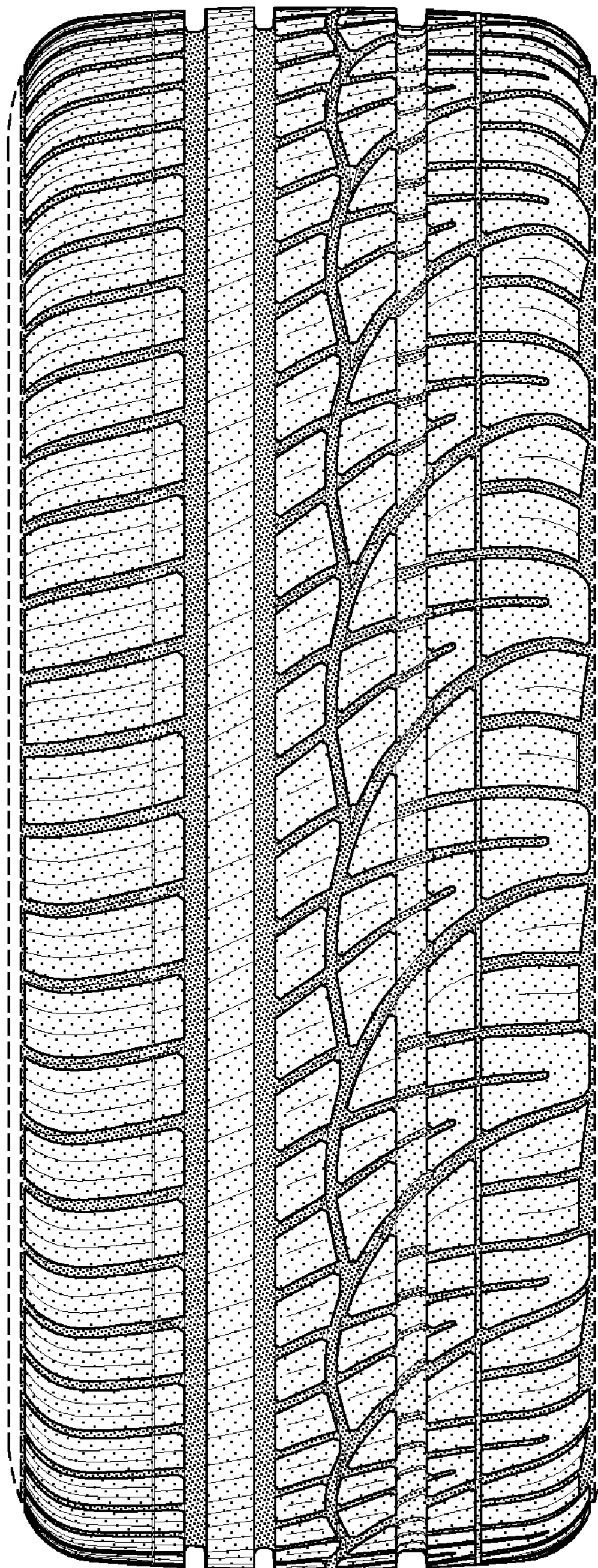


FIG-2

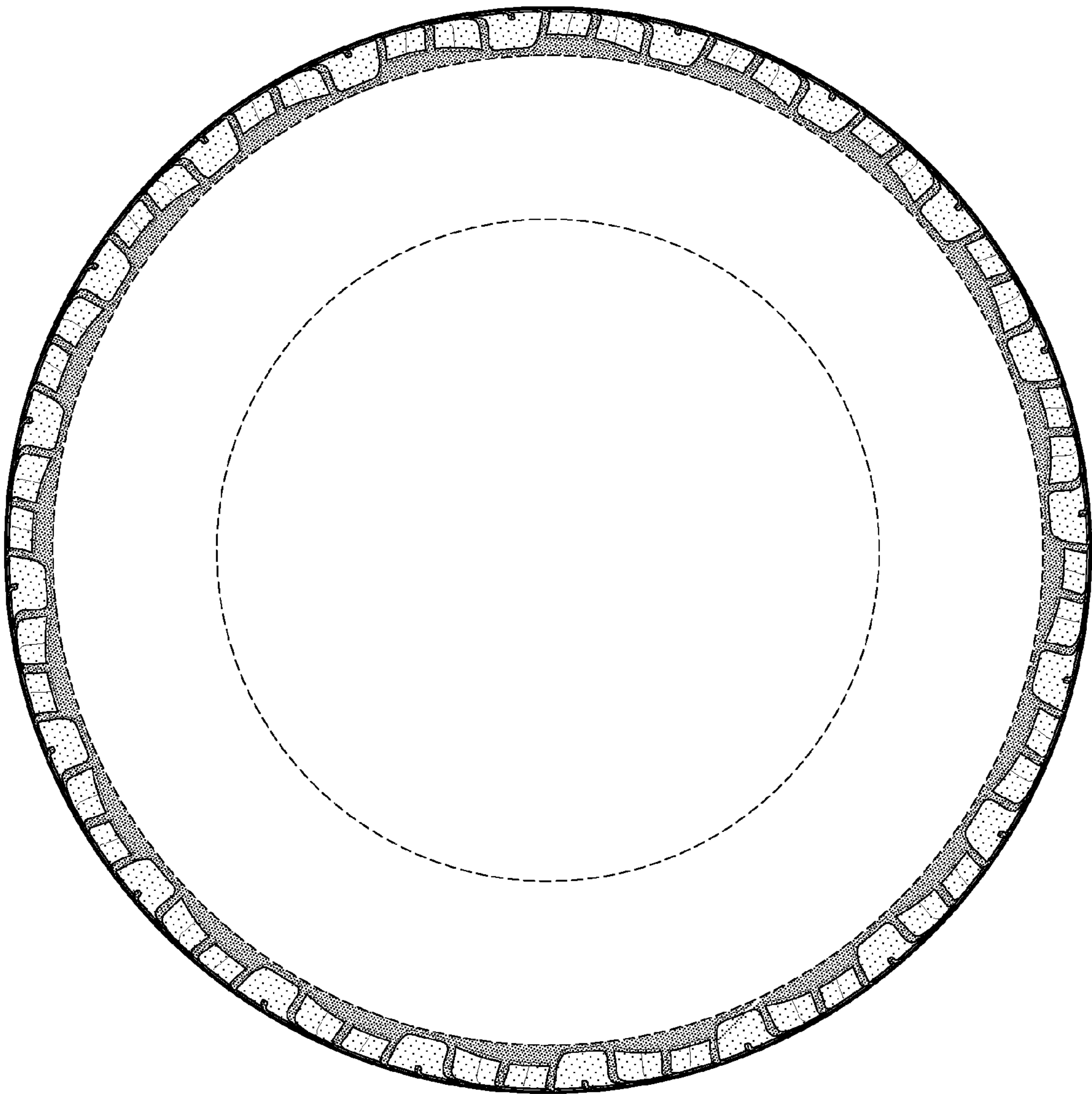


FIG-3

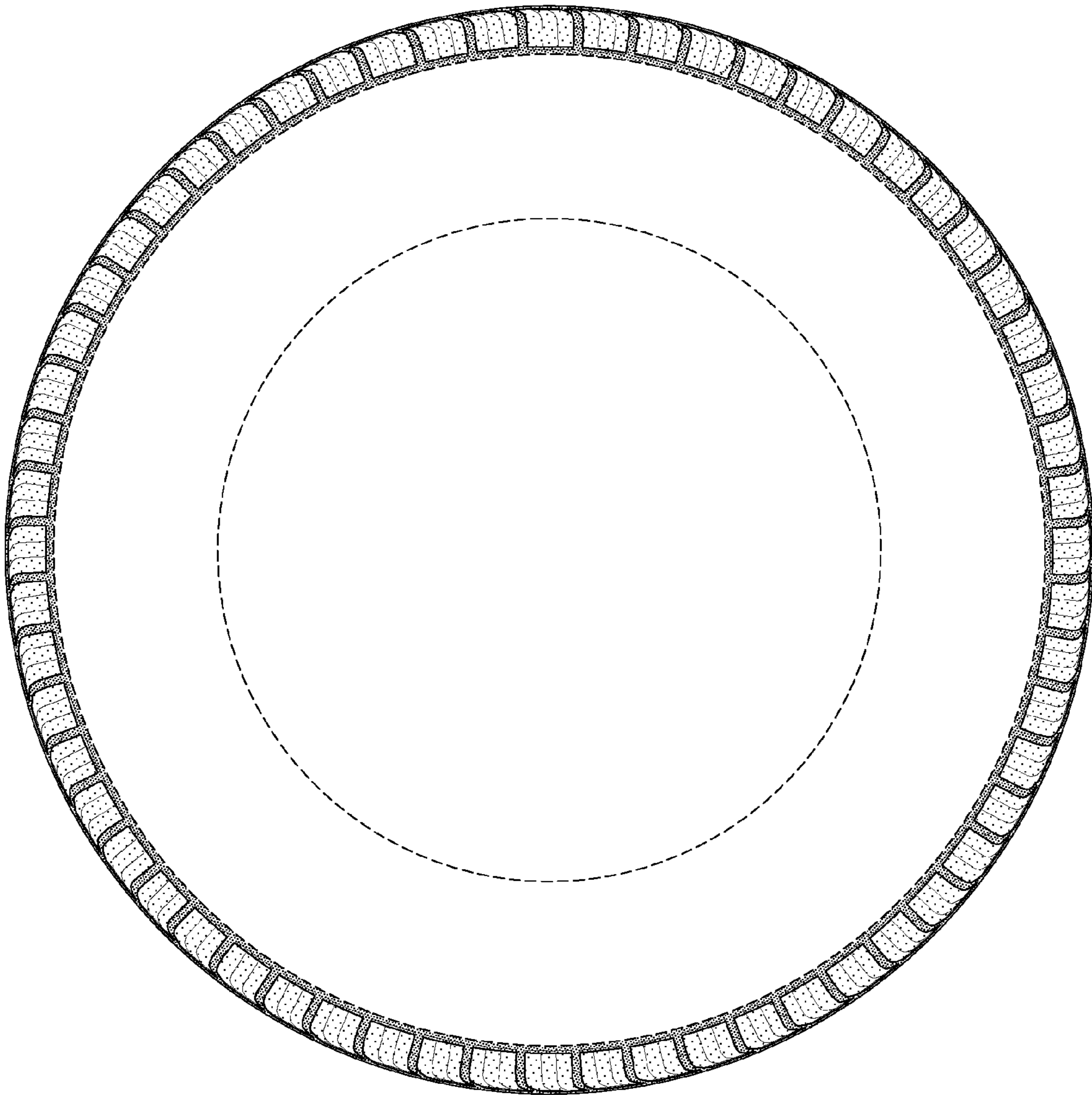


FIG-4

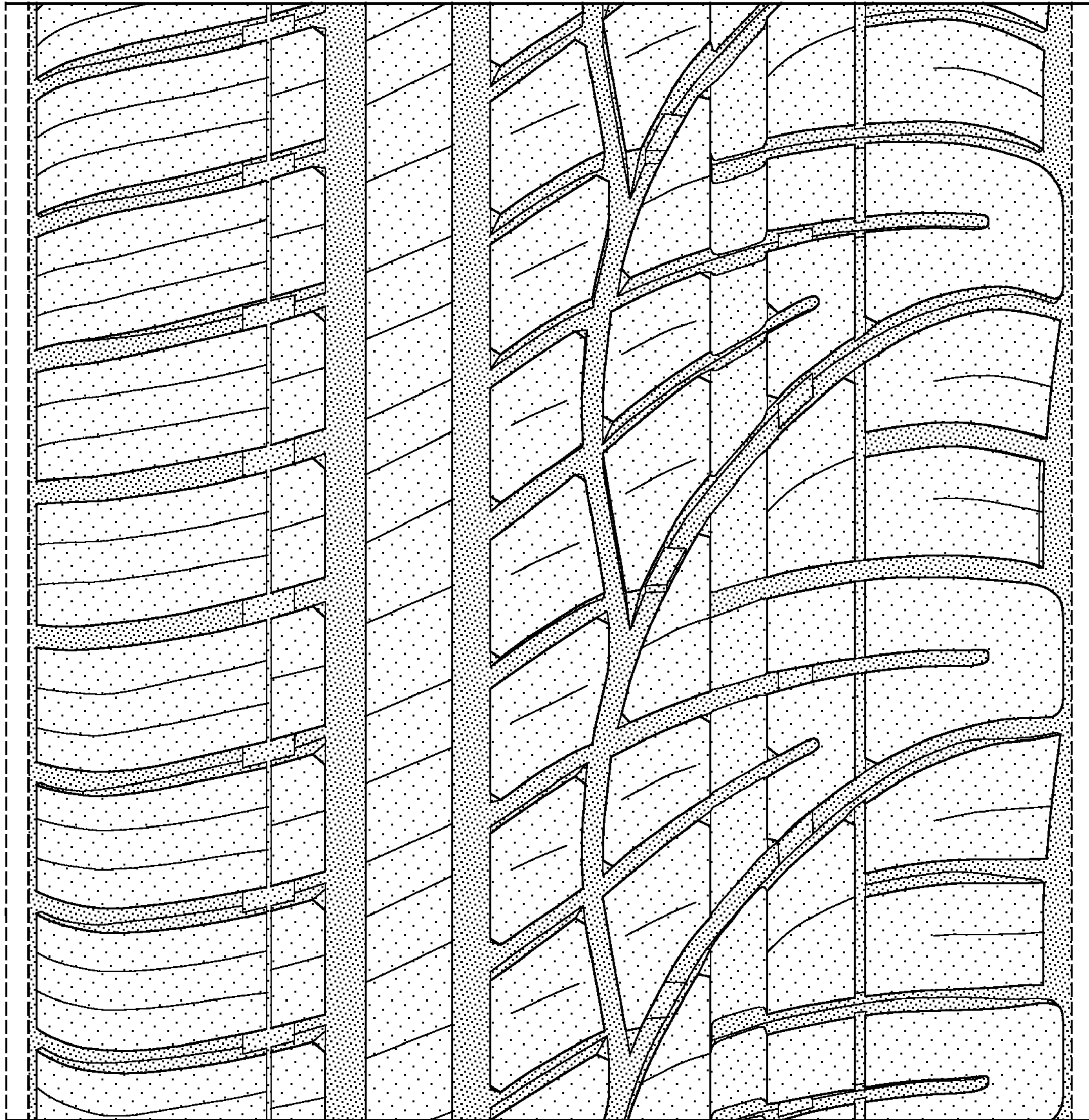


FIG-5

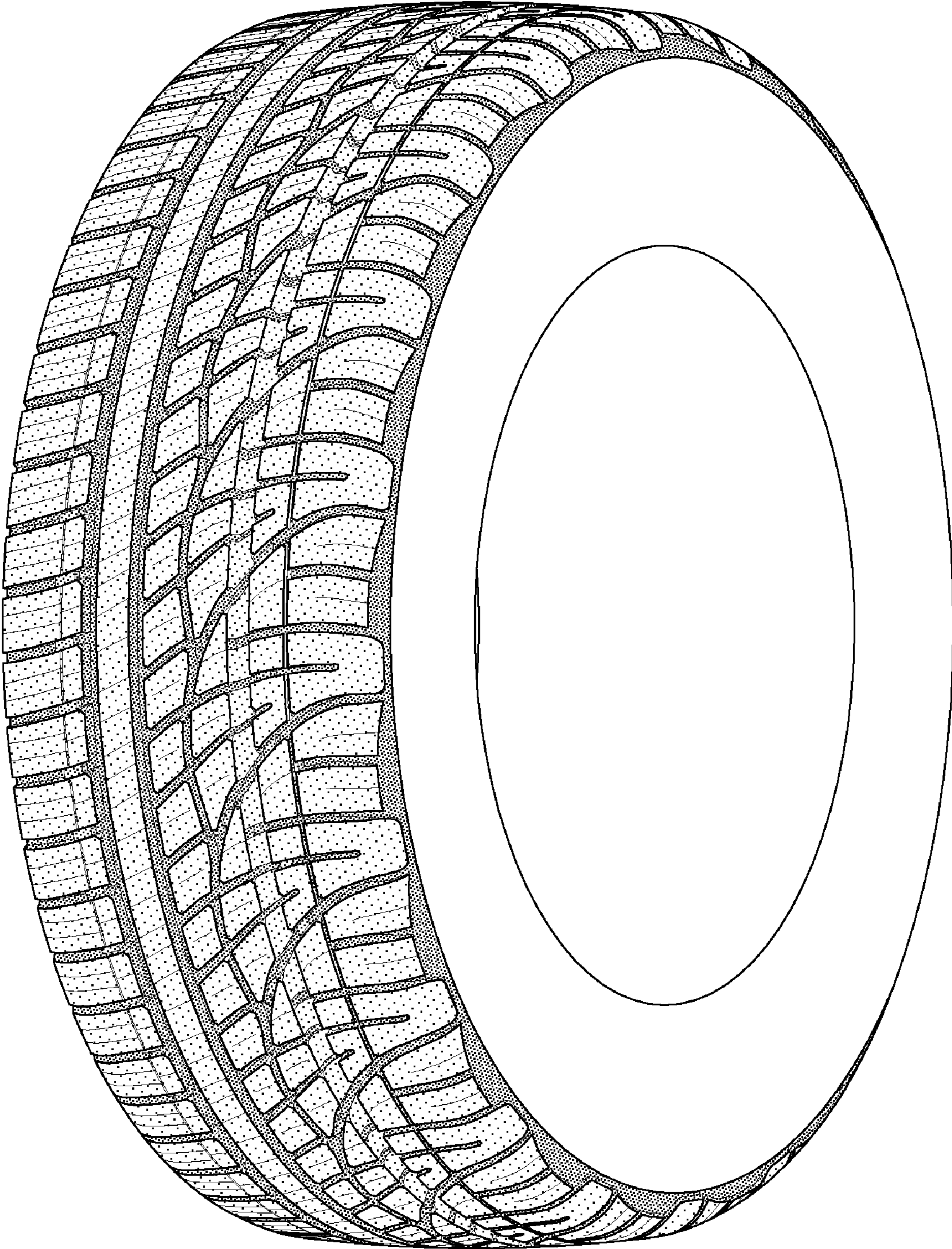


FIG-6

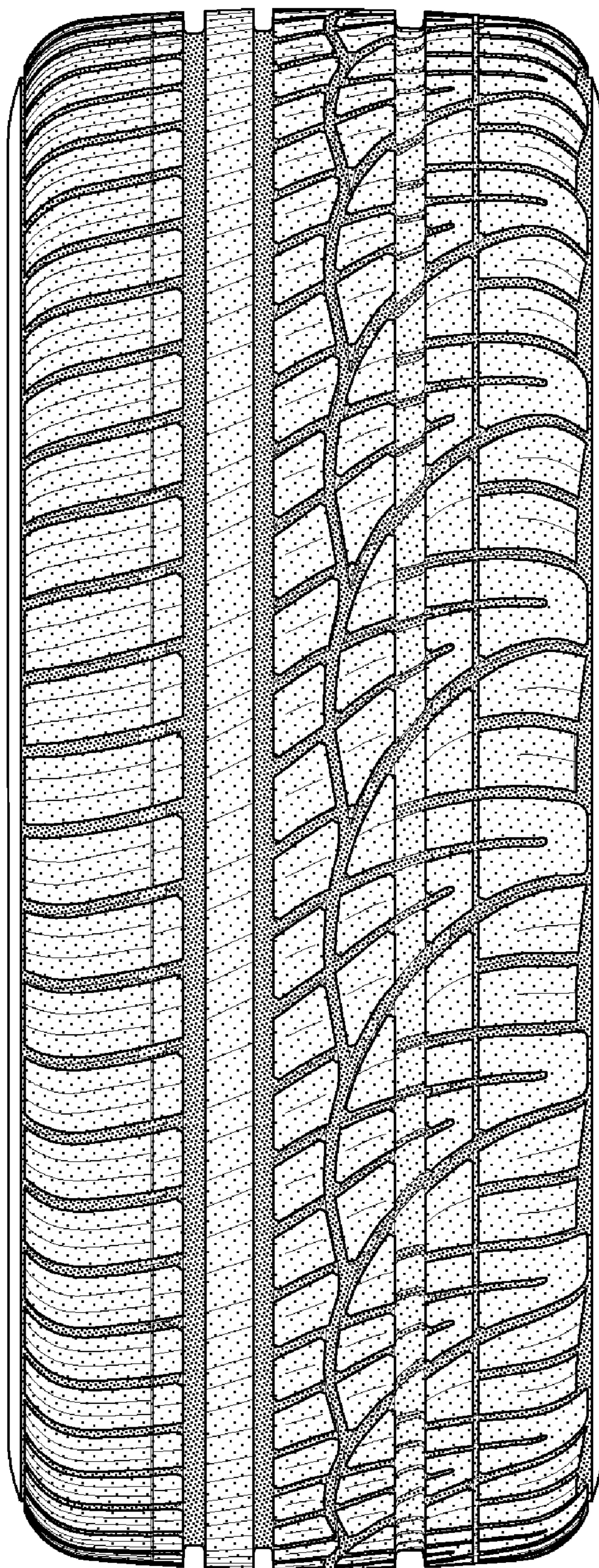


FIG-7