



US00D601938S

(12) **United States Design Patent**
Ohara

(10) **Patent No.:** **US D601,938 S**
(45) **Date of Patent:** **** Oct. 13, 2009**

(54) **TIRE**

(75) Inventor: **Masaaki Ohara**, Osaka (JP)

(73) Assignee: **Toyo Tire & Rubber Co., Ltd.**, Osaka (JP)

(**) Term: **14 Years**

(21) Appl. No.: **29/329,517**

(22) Filed: **Dec. 16, 2008**

(30) **Foreign Application Priority Data**

Aug. 22, 2008 (JP) 2008-021576

(51) **LOC (9) Cl.** **12-15**

(52) **U.S. Cl.** **D12/502**

(58) **Field of Classification Search** D12/500-532,
D12/563, 900-901; 152/209.1, 209.8-209.18,
152/209.25, 209.28

See application file for complete search history.

(56) **References Cited**

U.S. PATENT DOCUMENTS

D175,217 S *	7/1955	Hawkinson	152/209.17
2,759,512 A *	8/1956	Schlichtmann	152/209.17
D178,881 S *	10/1956	Hawkinson	D12/502
2,925,112 A *	2/1960	Seaman	D12/502
D298,540 S *	11/1988	Grawey et al.	D12/501
D407,355 S *	3/1999	Fujishiro	D12/563
D421,242 S *	2/2000	Ratliff, Jr.	D12/509
D505,108 S *	5/2005	Bonko et al.	D12/506

OTHER PUBLICATIONS

- U.S. Appl. No. 29/327,192, Takahashi, Tire, filed Oct. 31, 2008.
- U.S. Appl. No. 29/327,369, Takahashi, Tire, filed Nov. 4, 2008.
- U.S. Appl. No. 29/327,606, Ohashi, Tire, filed Nov. 10, 2008.
- U.S. Appl. No. 29/327,610, Kaji, Tire, filed Nov. 10, 2008.

- U.S. Appl. No. 29/327,622, Osaka, Tire, filed Nov. 10, 2008.
- U.S. Appl. No. 29/327,624, Osaka, Tire, filed Nov. 10, 2008.
- U.S. Appl. No. 29/327,628, Osaka, Tire, filed Nov. 10, 2008.
- U.S. Appl. No. 29/329,515, Ohashi, Tire, filed Dec. 16, 2008.
- U.S. Appl. No. 29/329,518, Miyazaki, Tire, filed Dec. 16, 2008.
- U.S. Appl. No. 29/329,519, Ohashi, Tire, filed Dec. 16, 2008.

* cited by examiner

Primary Examiner—Stacia Cadmus

(74) *Attorney, Agent, or Firm*—Sterne, Kessler, Goldstein & Fox P.L.L.C.

(57) **CLAIM**

The ornamental design for a tire, as shown and described.

DESCRIPTION

FIG. 1 is a right perspective view of a tire showing my new design;

FIG. 2 is a left perspective view thereof;

FIG. 3 is a front view thereof;

FIG. 4 is a rear view thereof;

FIG. 5 is a top plan view thereof;

FIG. 6 is bottom plan view thereof;

FIG. 7 is a right side view thereof;

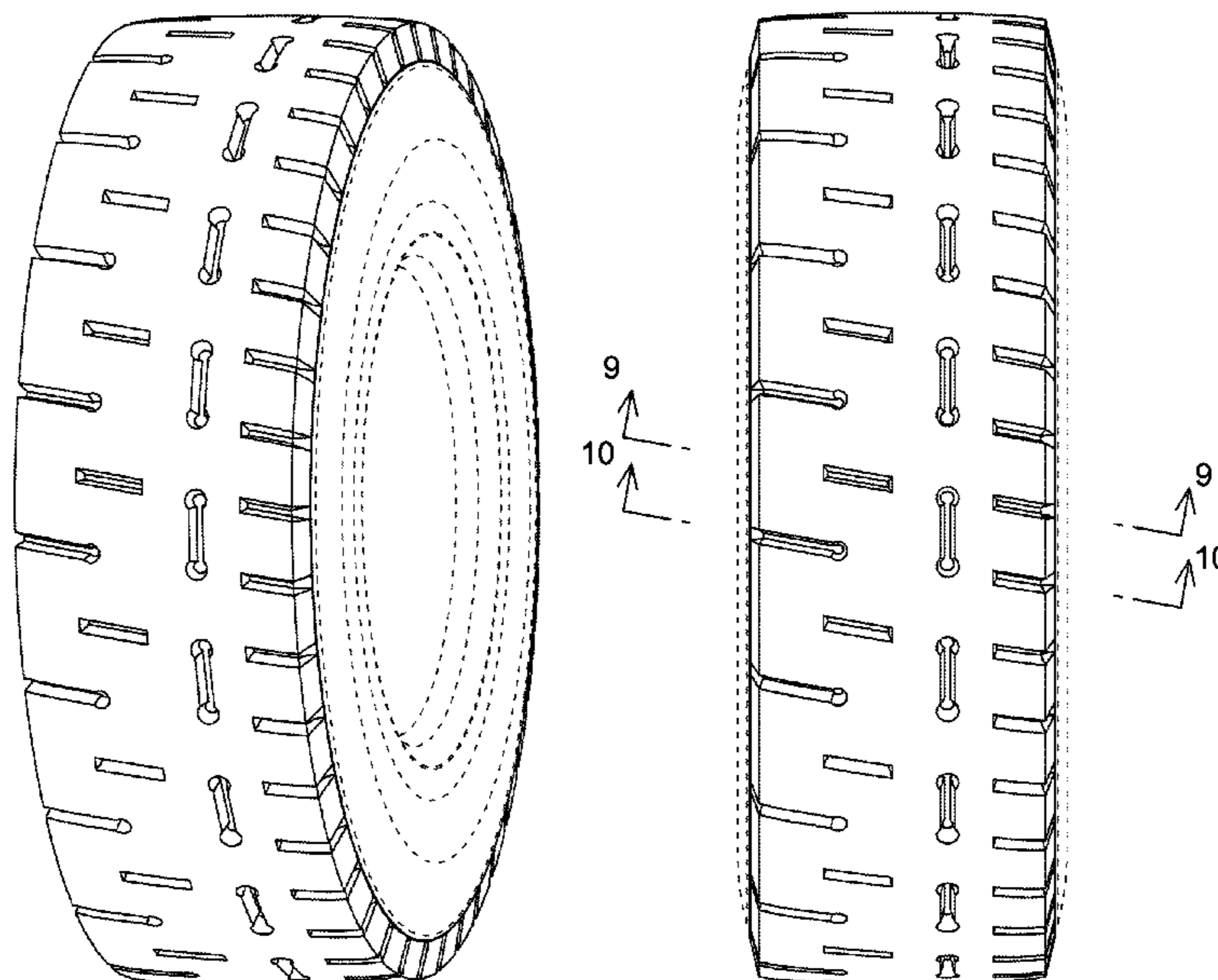
FIG. 8 is a left side view thereof;

FIG. 9 is a cross-sectional view taken along line 9—9 in FIG. 3 and along line 9'—9' in FIG. 7; and,

FIG. 10 is a cross-sectional view taken along line 10—10 in FIG. 3 and along line 9'—9' in FIG. 7.

In the drawings, the broken lines defining the sidewall, inner bead and the peripheral boundary between the tire tread and the sidewall of the tire depict environmental subject matter that forms no part of the claimed design.

1 Claim, 10 Drawing Sheets



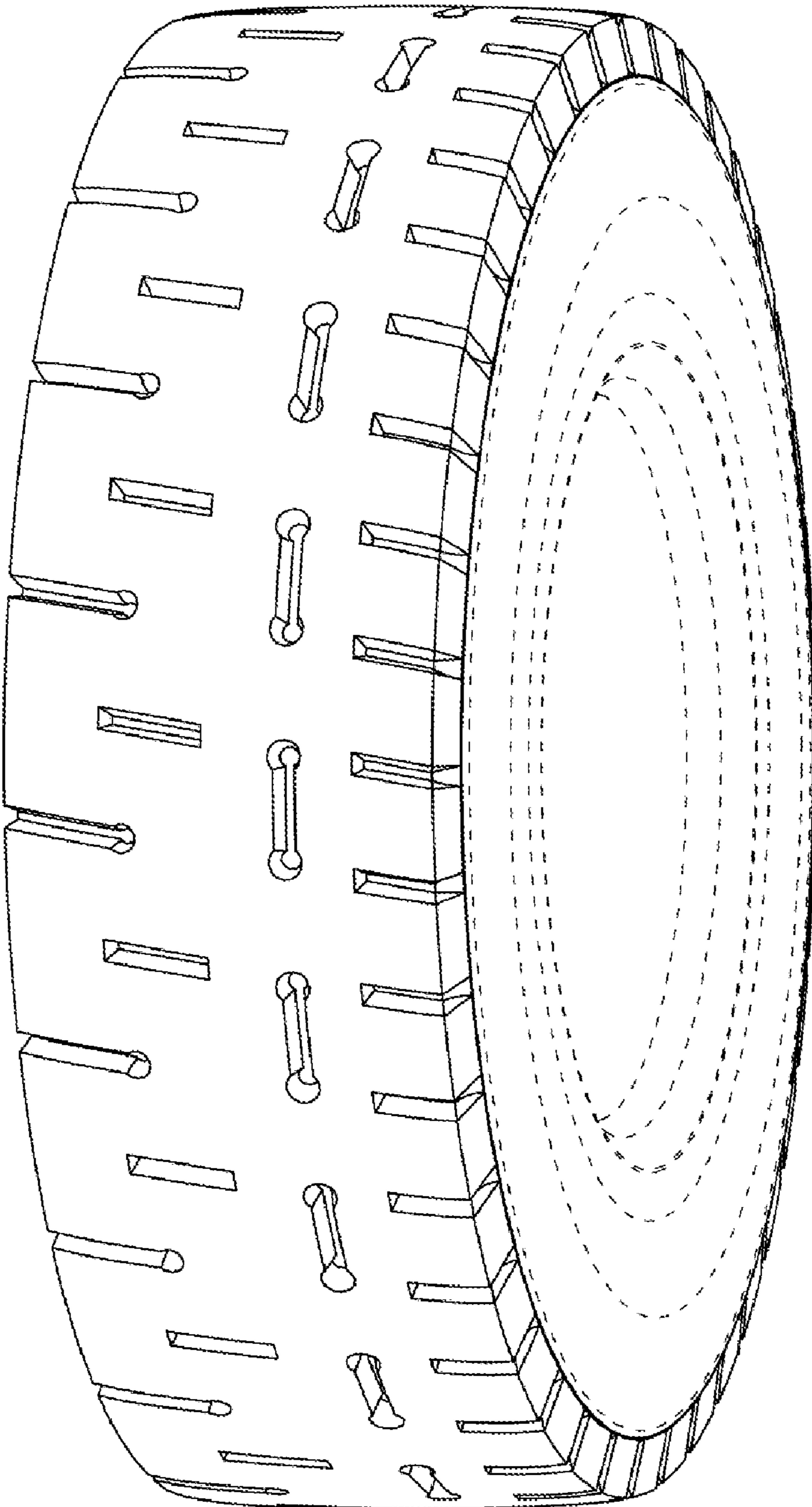


FIG. 1

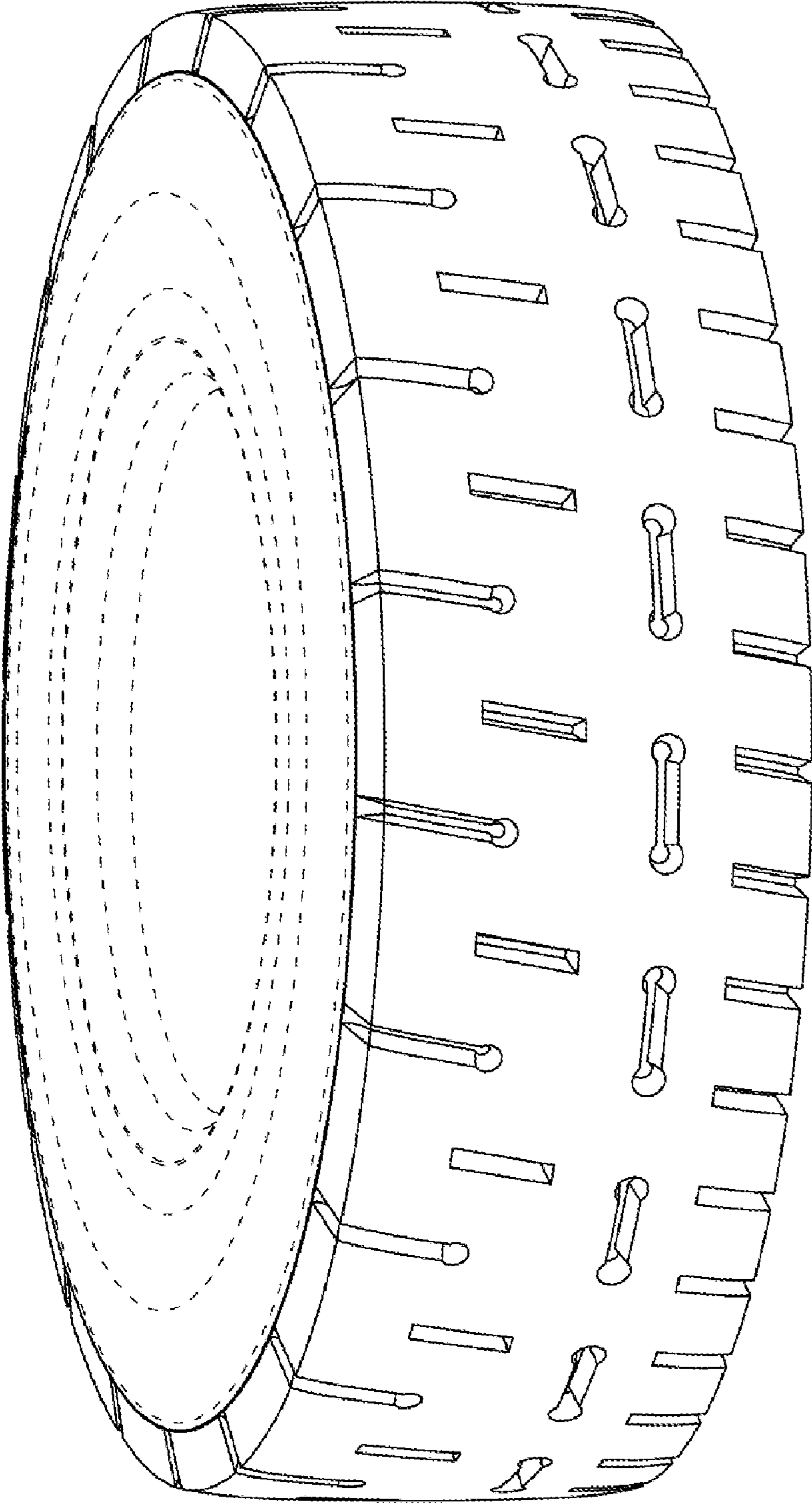


FIG. 2

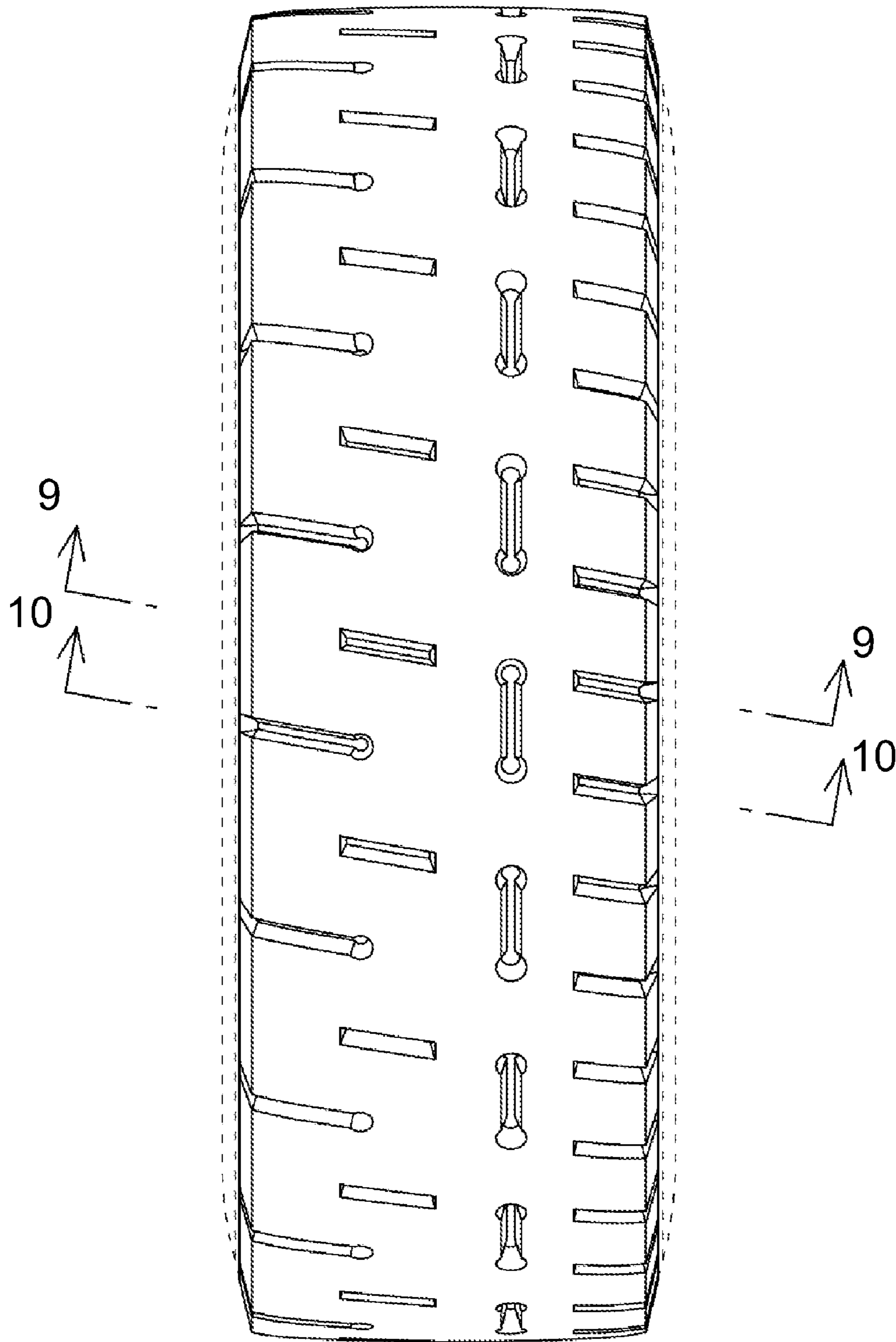


FIG. 3

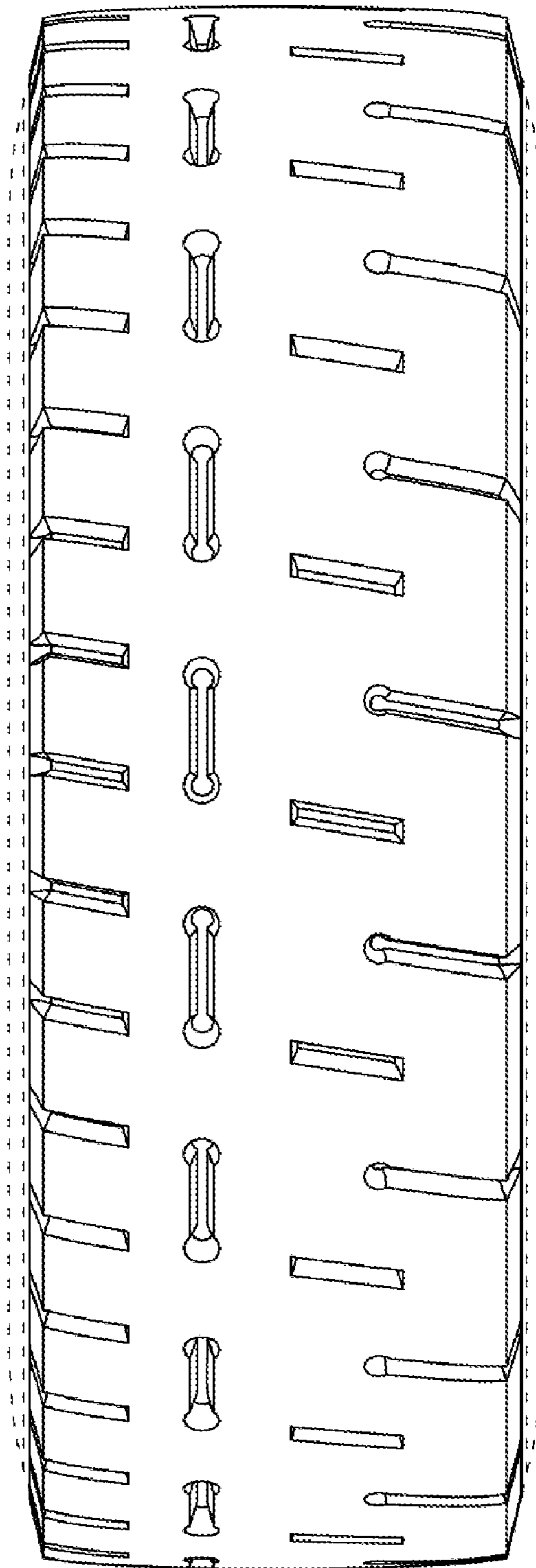


FIG. 4

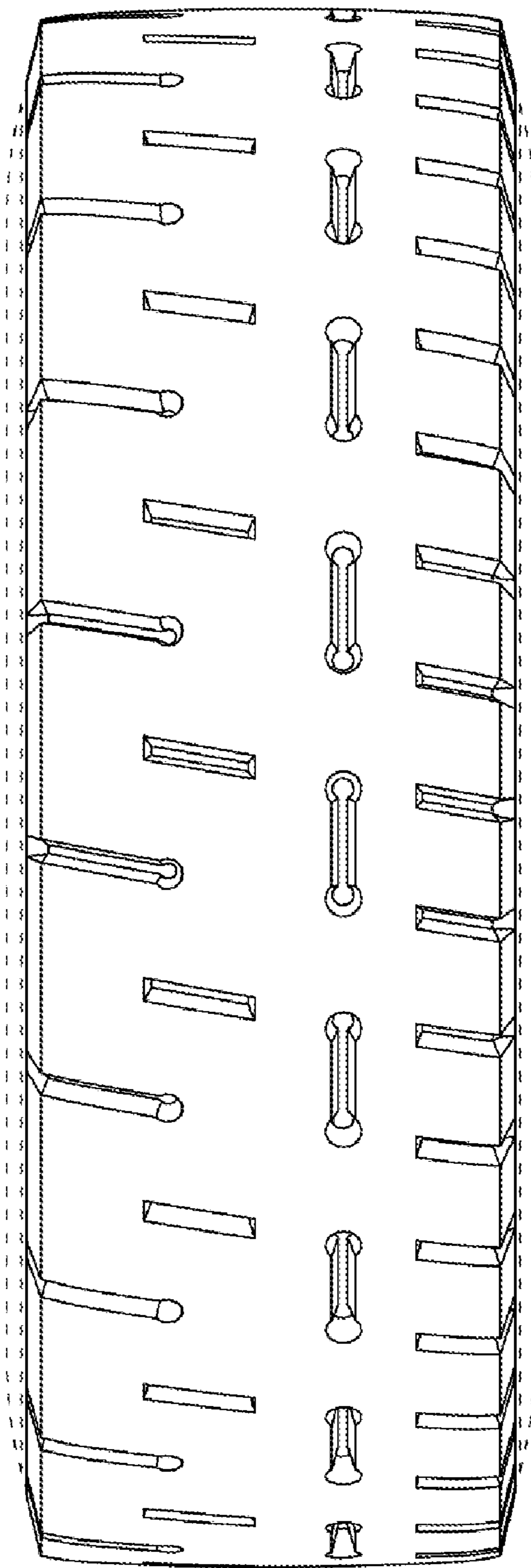


FIG. 5

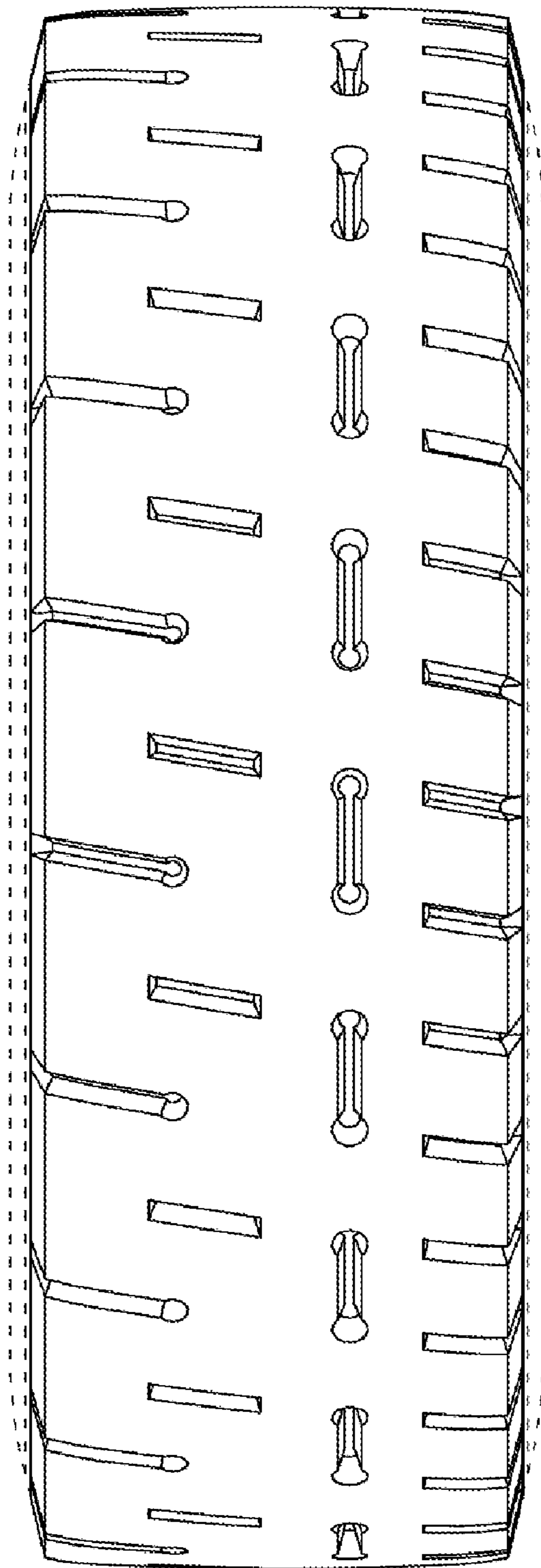


FIG. 6

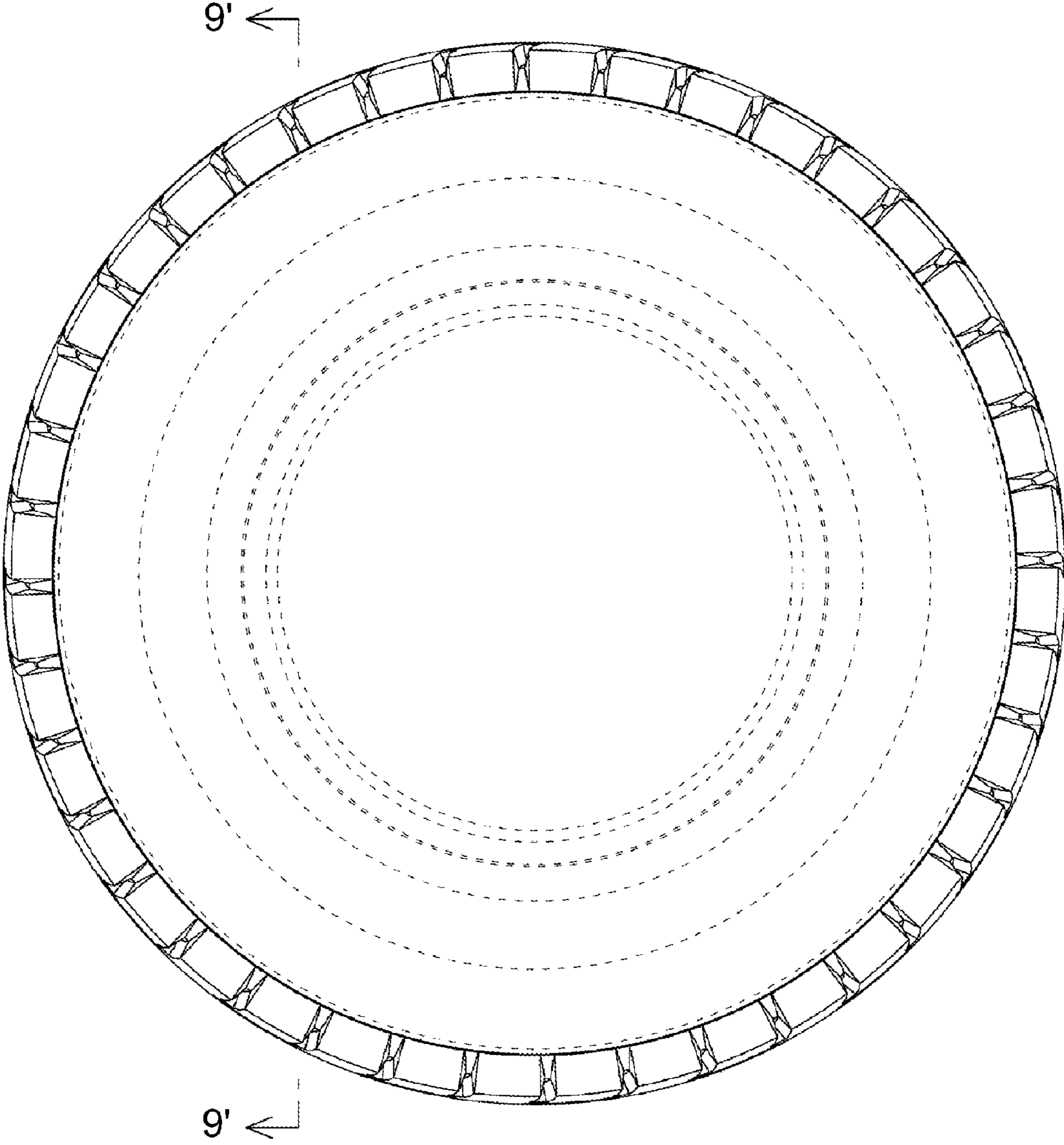


FIG. 7

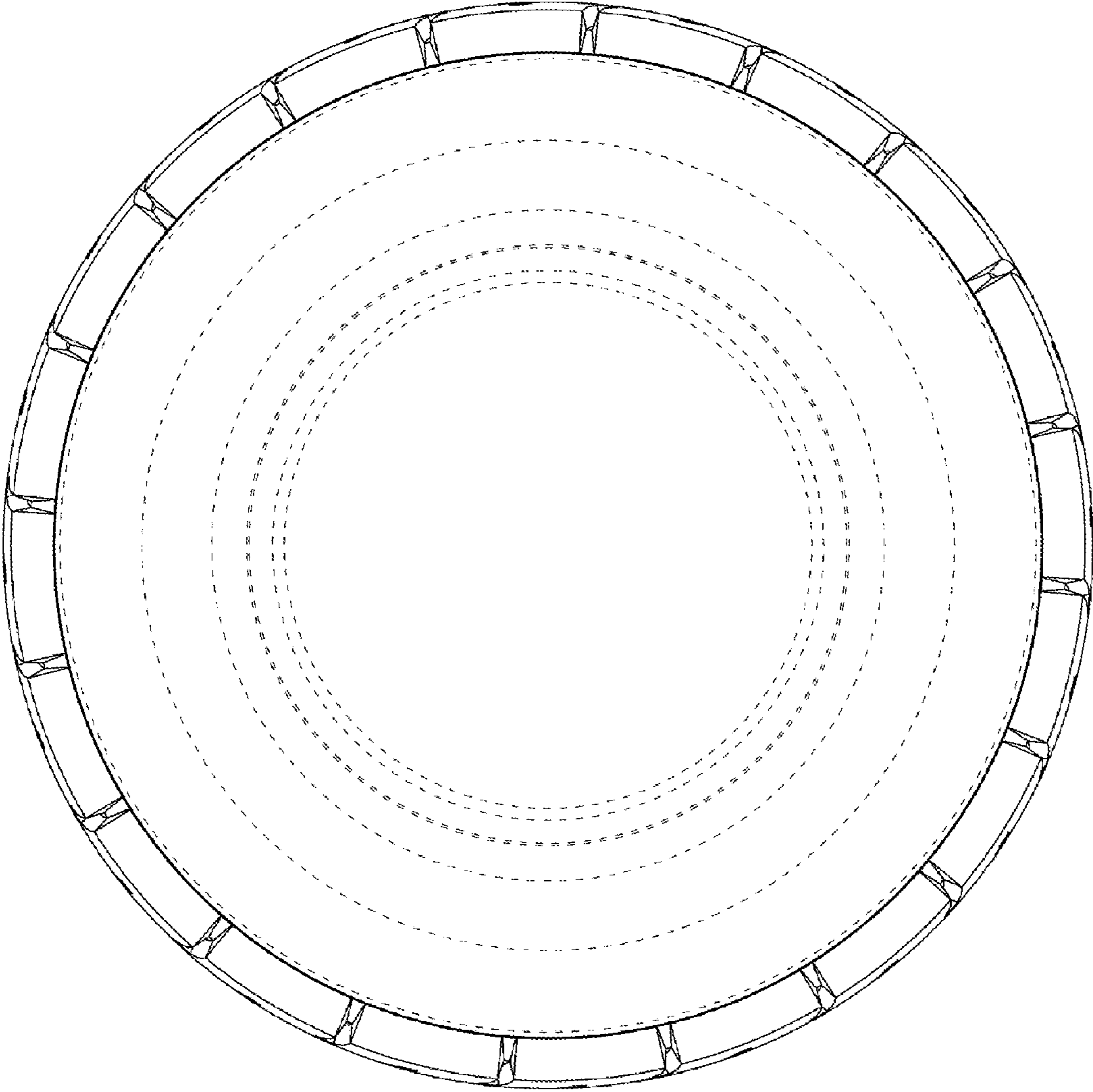


FIG. 8

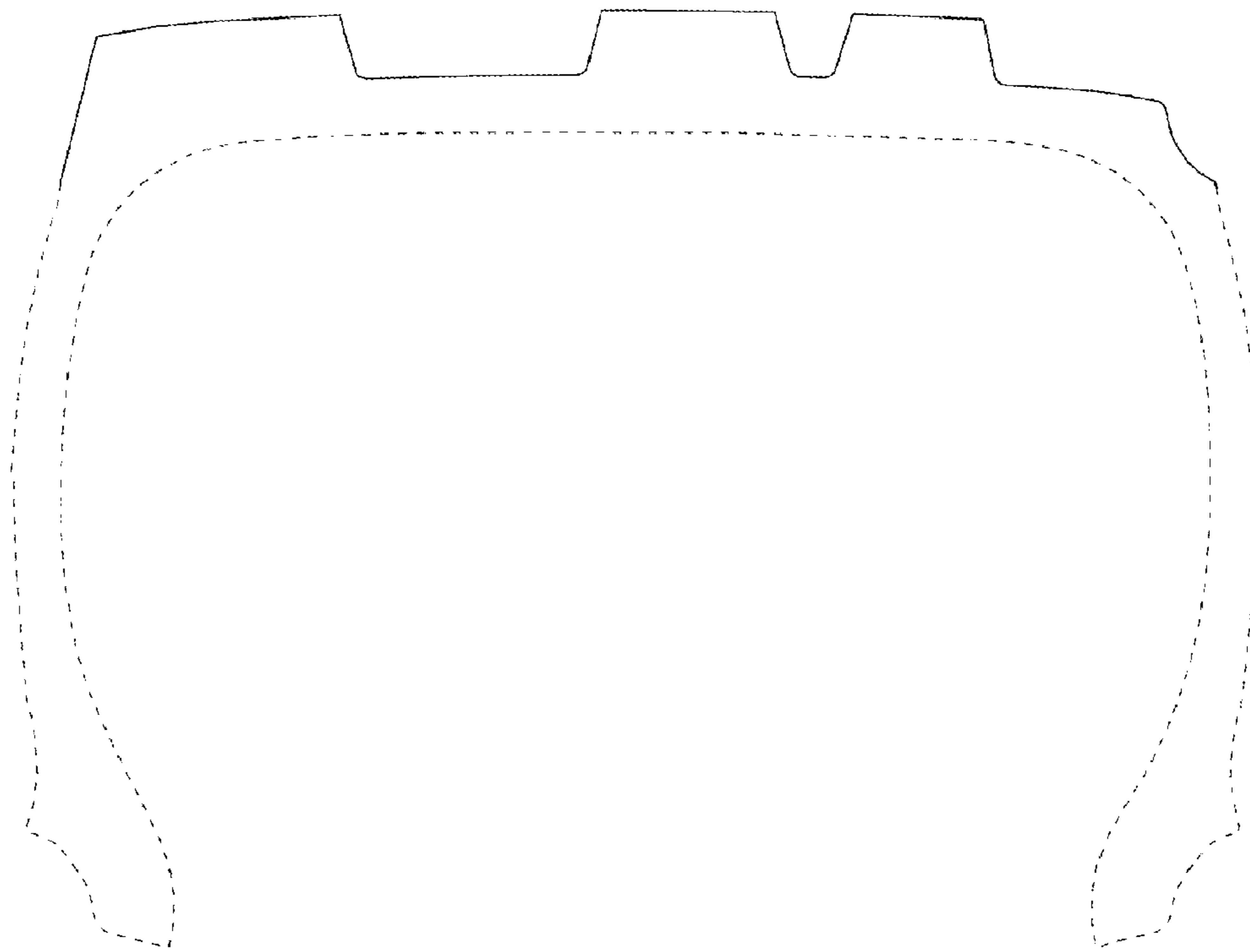


FIG. 9

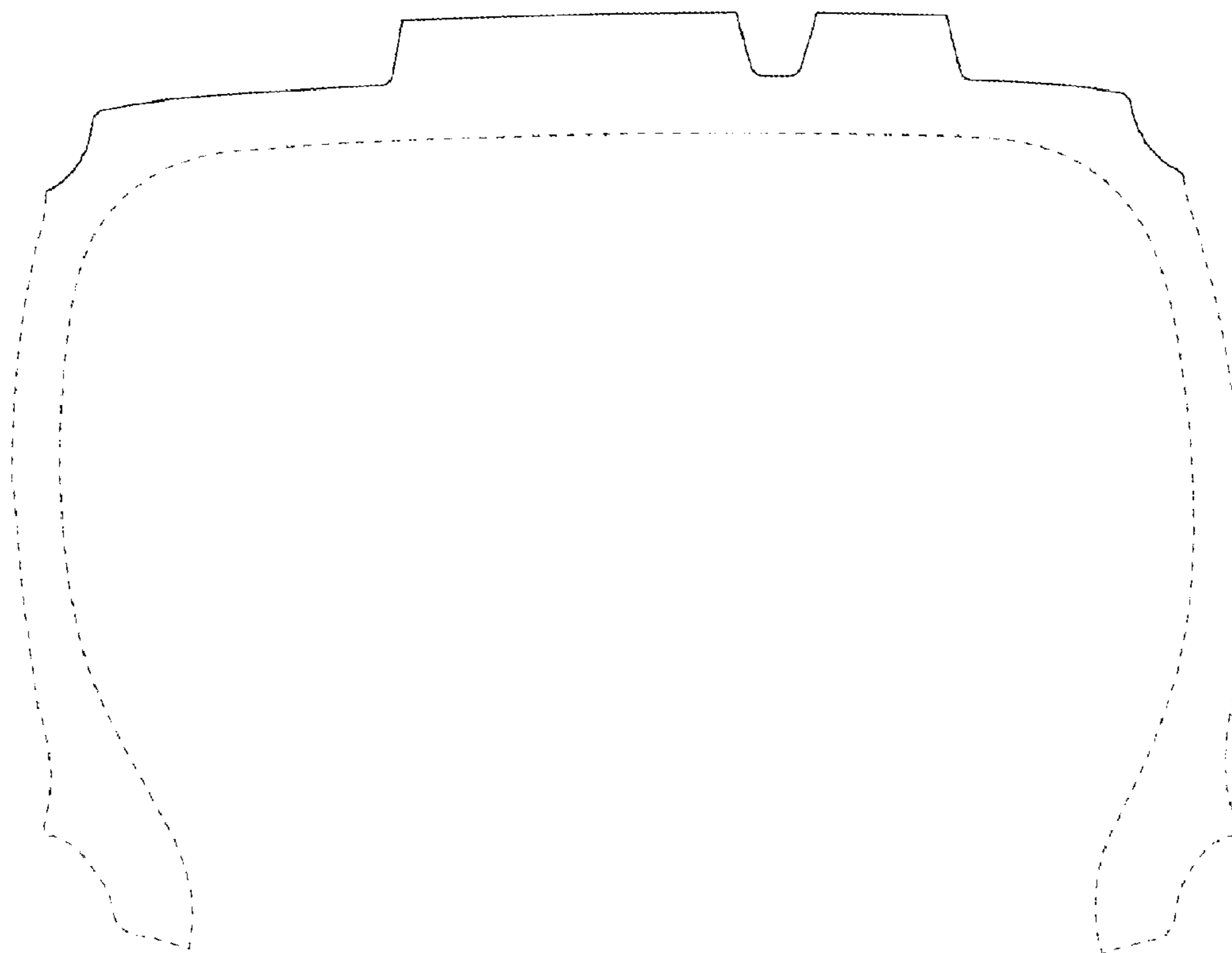


FIG. 10