



US00D601936S

(12) **United States Design Patent**  
**Mirabal**

(10) **Patent No.:** **US D601,936 S**  
(45) **Date of Patent:** **\*\* Oct. 13, 2009**

(54) **MOTORCYCLE BRAKE CALIPER BRACKET**

(75) Inventor: **Reuben Mirabal**, St. Louis, MO (US)

(73) Assignee: **Midwest Motorcycle Supply Distributors Corp.**, Pevely, MO (US)

(\*\*) Term: **14 Years**

(21) Appl. No.: **29/324,969**

(22) Filed: **Sep. 24, 2008**

(51) **LOC (9) Cl.** ..... **12-11**

(52) **U.S. Cl.** ..... **D12/223**

(58) **Field of Classification Search** ..... D12/223,  
D12/114, 110, 179, 180; D8/349, 354-356;  
180/226, 231, 219; 303/137; 248/200, 300;  
192/107 R, 70.16; 188/24.11-24.22, 218 XL,  
188/71.1, 73.1-73.47, 209, 344, 218 A  
See application file for complete search history.

(56) **References Cited**

**U.S. PATENT DOCUMENTS**

D523,803 S \* 6/2006 Smith et al. .... D12/223  
D528,951 S \* 9/2006 Oben ..... D12/180  
7,232,014 B2 \* 6/2007 Nakaie ..... 188/71.1

**OTHER PUBLICATIONS**

Custom Chrome® 2005 World's Finest Products for Harley-Davidsons™ catalog, Rear Brake Caliper and Bracket product No. 130150 by Billet Concepts on p. 13.62.\*

\* cited by examiner

*Primary Examiner*—Cathron C Brooks

*Assistant Examiner*—Linda Brooks

(74) *Attorney, Agent, or Firm*—Thompson Coburn LLP; Clyde L. Smith

(57) **CLAIM**

The ornamental design for a motorcycle brake caliper bracket, as shown and described.

**DESCRIPTION**

FIG. 1 is a front perspective view of the motorcycle brake caliper bracket in accordance with the invention.

FIG. 2 is a rear perspective view of the motorcycle brake caliper bracket shown in FIG. 1.

FIG. 3 is a front view of the motorcycle brake caliper bracket shown in FIG. 1.

FIG. 4 is a rear view of the motorcycle brake caliper bracket shown in FIG. 1.

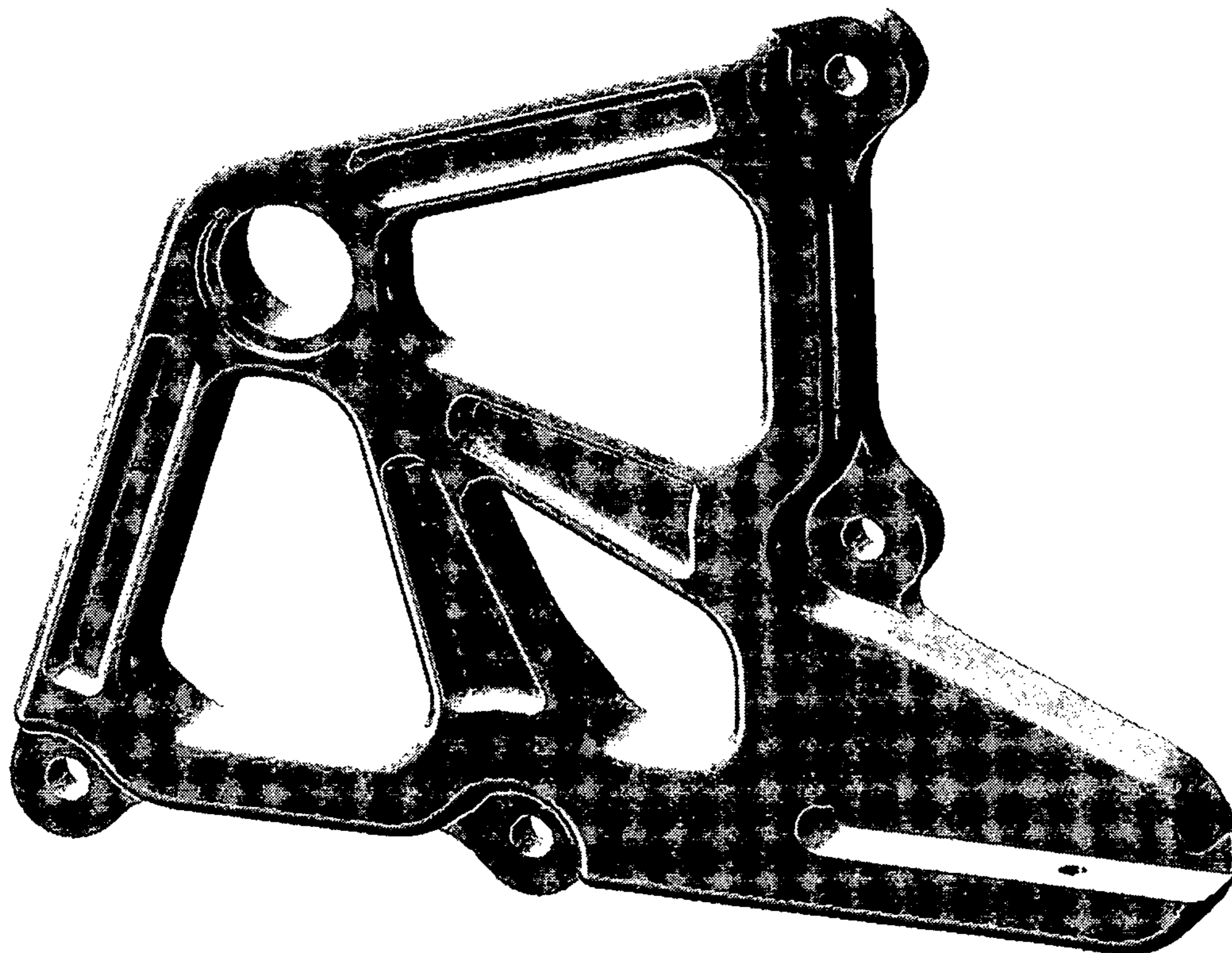
FIG. 5 is a top view of the motorcycle brake caliper bracket shown in FIG. 1.

FIG. 6 is a bottom view of the motorcycle brake caliper bracket shown in FIG. 1.

FIG. 7 is a left view of the motorcycle brake caliper bracket shown in FIG. 1; and,

FIG. 8 is a right view of the motorcycle brake caliper bracket shown in FIG. 1.

**1 Claim, 6 Drawing Sheets**



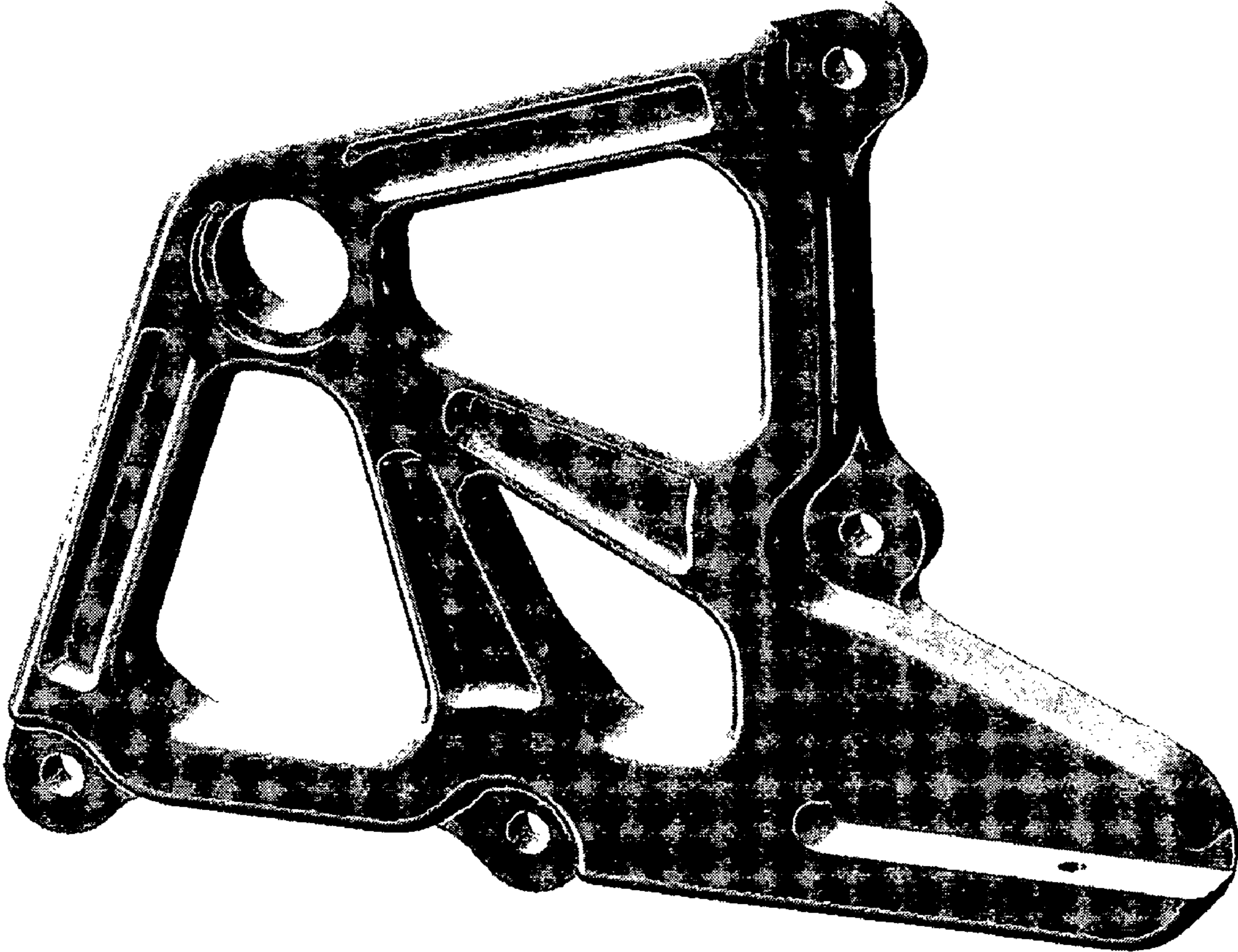


FIG. 1

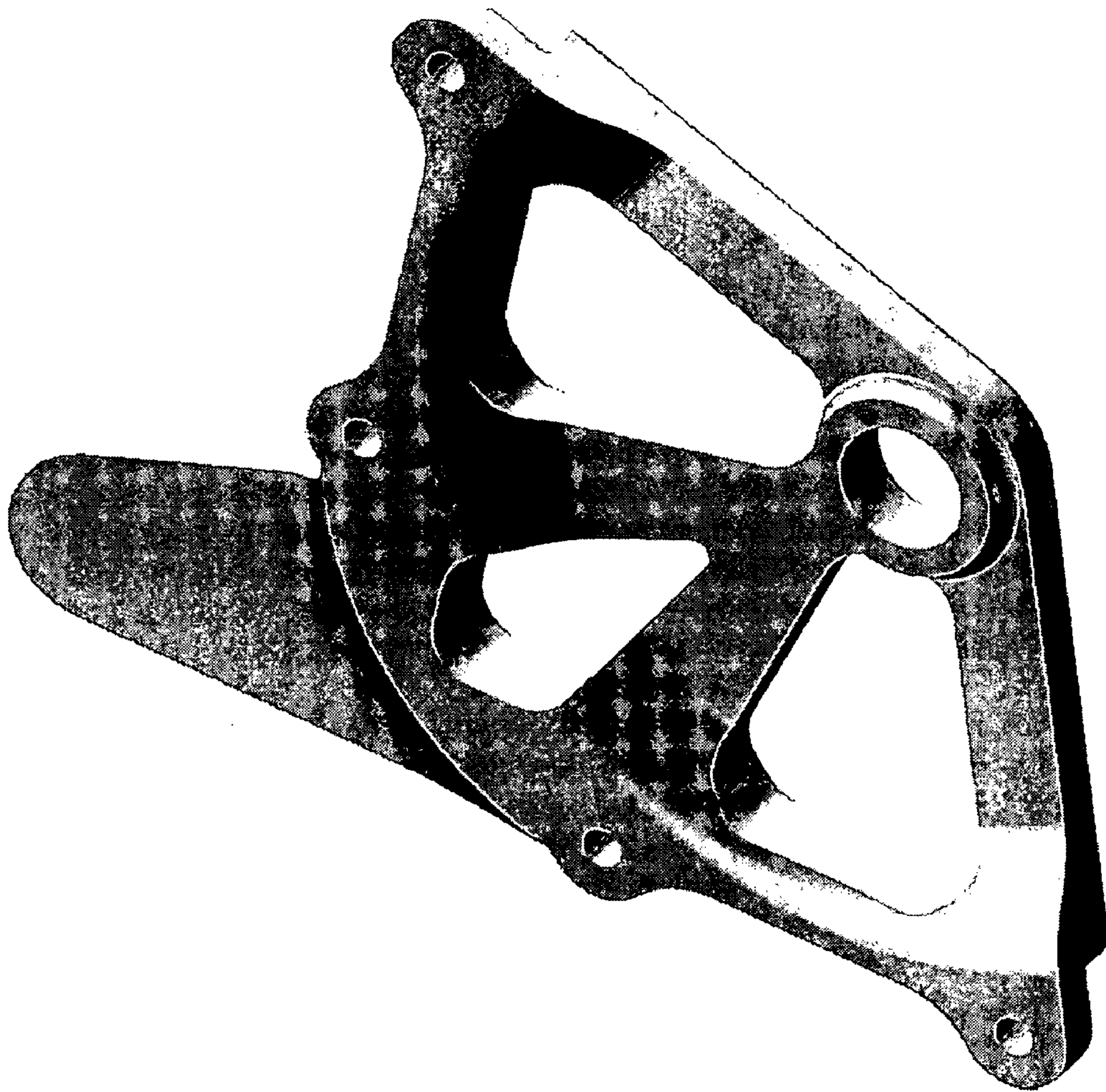


FIG. 2

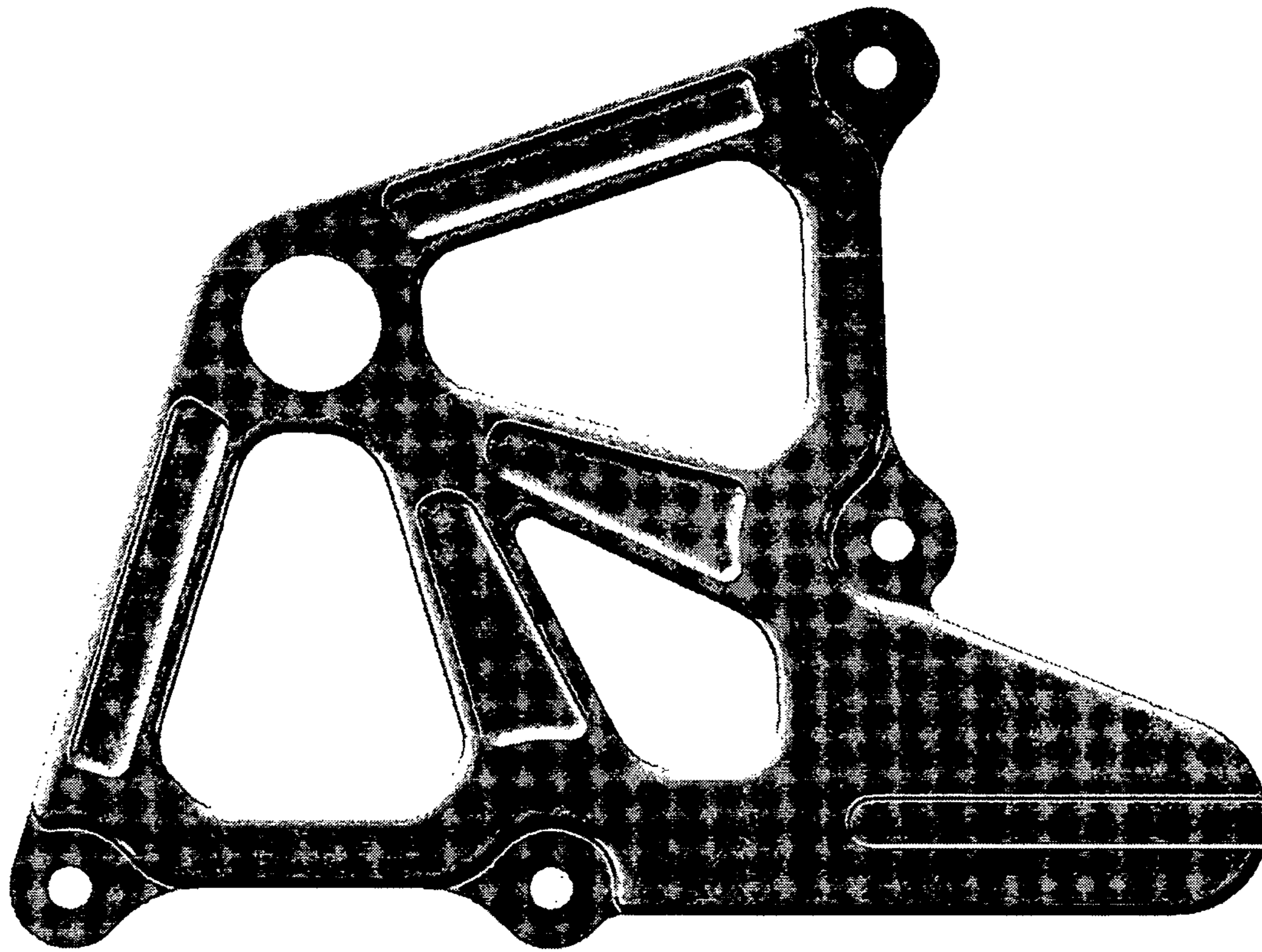


FIG. 3

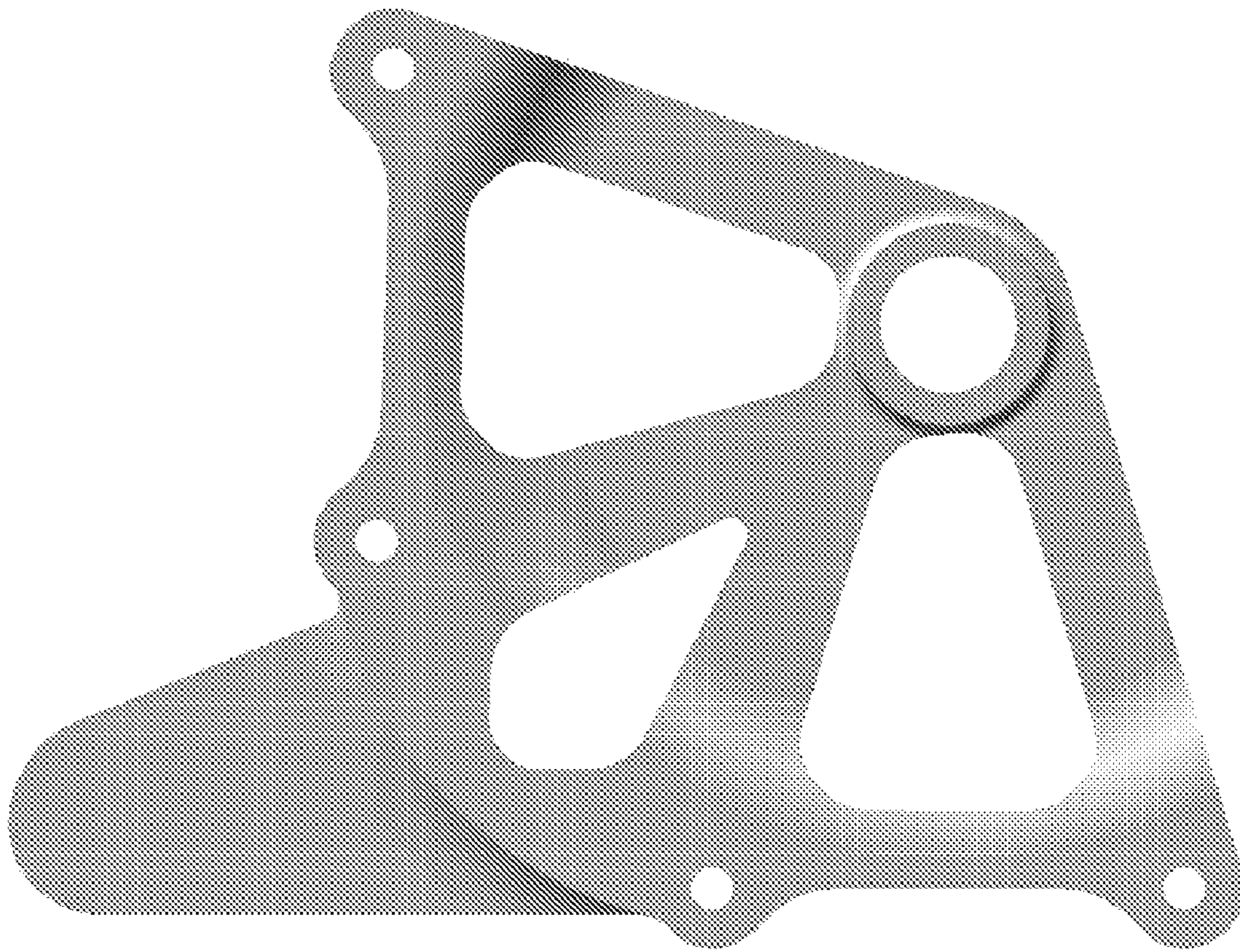


FIG. 4



FIG. 5

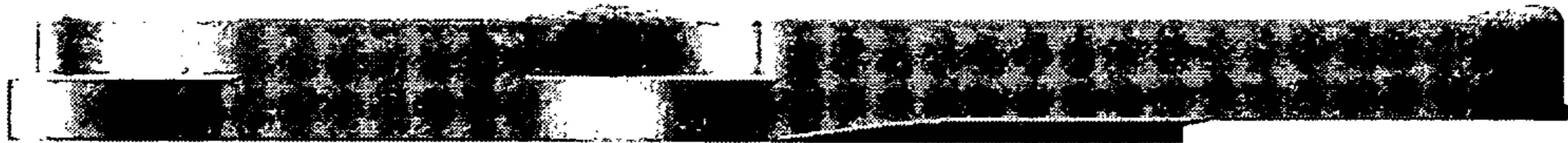


FIG. 6

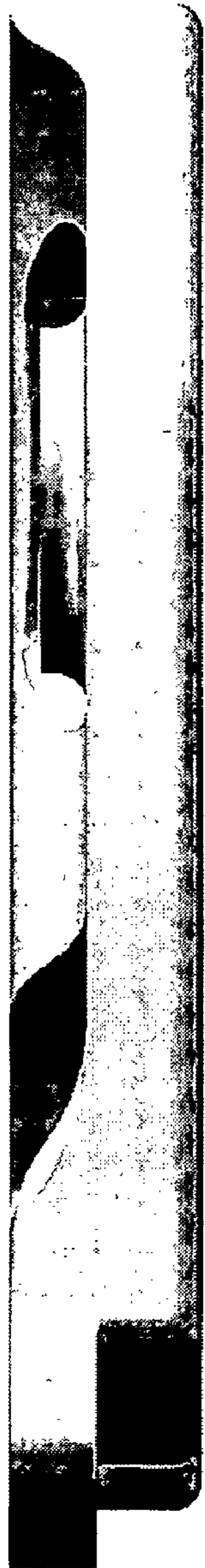


FIG. 7



FIG. 8