



US00D601931S

(12) **United States Design Patent**  
**Files**

(10) **Patent No.:** **US D601,931 S**  
(45) **Date of Patent:** **\*\* Oct. 13, 2009**

(54) **AUDIO DOCKING STATION FOR A MOTORCYCLE**

D263,577 S \* 3/1982 Hoese ..... D12/114  
D474,998 S \* 5/2003 Green ..... D12/114  
6,647,121 B2 \* 11/2003 Stanberry et al. .... 381/86  
D535,288 S 1/2007 Files

(76) Inventor: **Edward M. Files**, 4818 NE. Pebble Beach St., Lee's Summit, MO (US) 64064

\* cited by examiner

(\*\*) Term: **14 Years**

*Primary Examiner*—Cathron C Brooks

*Assistant Examiner*—Linda Brooks

(21) Appl. No.: **29/324,781**

(74) *Attorney, Agent, or Firm*—Erickson, Kernell, Derousseau & Kleypas, LLC

(22) Filed: **Sep. 19, 2008**

(57) **CLAIM**

(51) **LOC (9) Cl.** ..... **12-11**

The ornamental design for an audio docking station for a motorcycle, as shown and described.

(52) **U.S. Cl.** ..... **D12/114**

(58) **Field of Classification Search** ..... D12/114,  
D12/110, 415, 126, 178; 200/61.27, 61.54,  
200/61.85, 61.87, 293.1; 74/551.8; 280/288.4;  
180/219, 90; D14/157, 210, 215, 204; 381/86,  
381/300, 302, 334-336, 365, 366, 389; 296/37.1,  
296/70; 312/7.1; 224/413; 455/345; 181/143,  
181/144, 148, 198, 199

See application file for complete search history.

**DESCRIPTION**

FIG. 1 is a perspective view of an audio docking station for a motorcycle according to the present invention;

FIG. 2 is a rear elevational view thereof;

FIG. 3 is a front elevational view thereof;

FIG. 4 is a left side elevational view thereof;

FIG. 5 is a right side elevational view thereof;

FIG. 6 is a top plan view thereof; and,

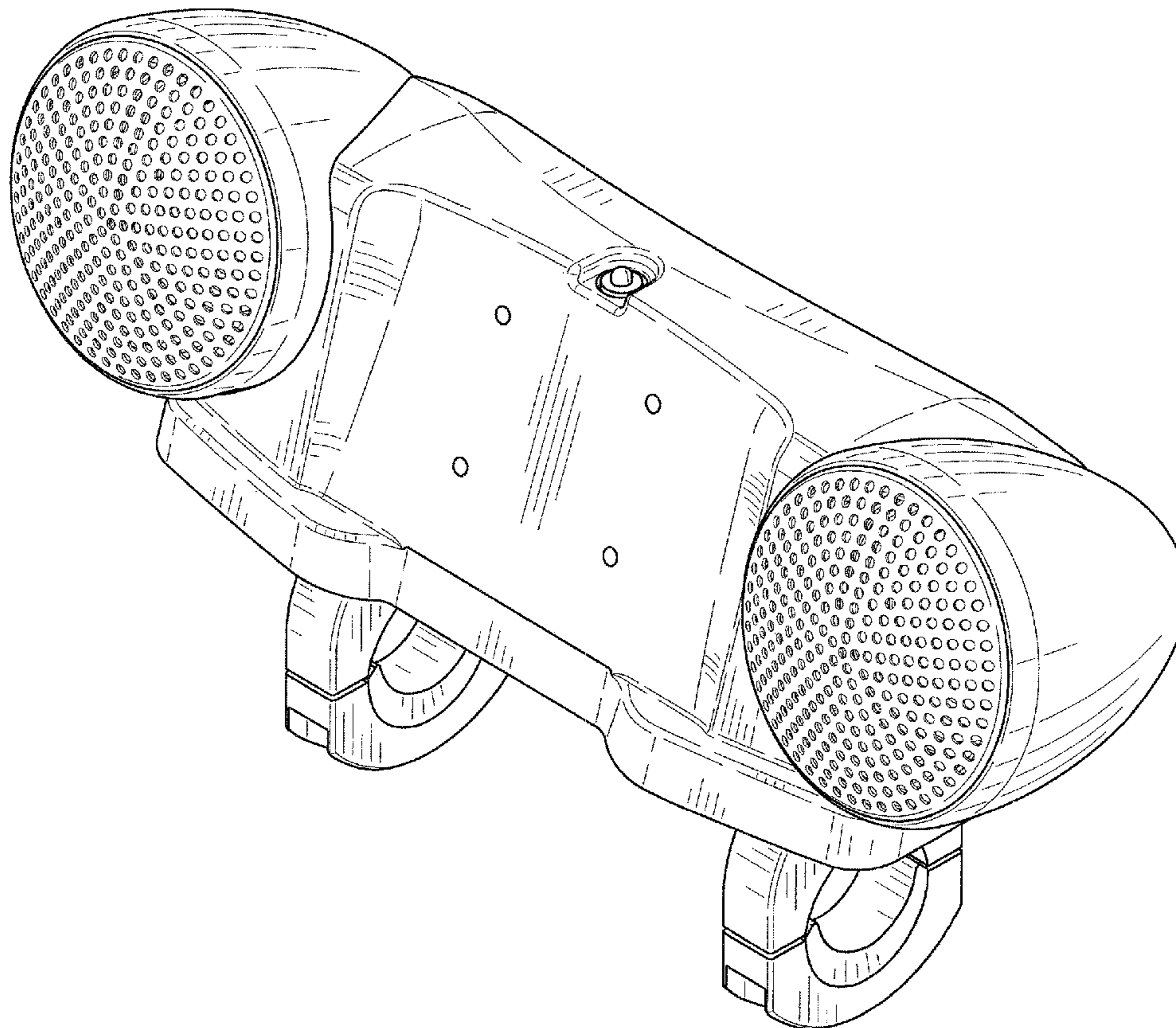
FIG. 7 is a bottom plan view thereof. The broken lines illustrate elements that form no part of the claimed design.

(56) **References Cited**

**U.S. PATENT DOCUMENTS**

D251,120 S \* 2/1979 Hoese ..... D14/157  
D257,967 S \* 1/1981 Hoese ..... D12/114  
D257,971 S \* 1/1981 Hoese ..... D12/114

**1 Claim, 6 Drawing Sheets**



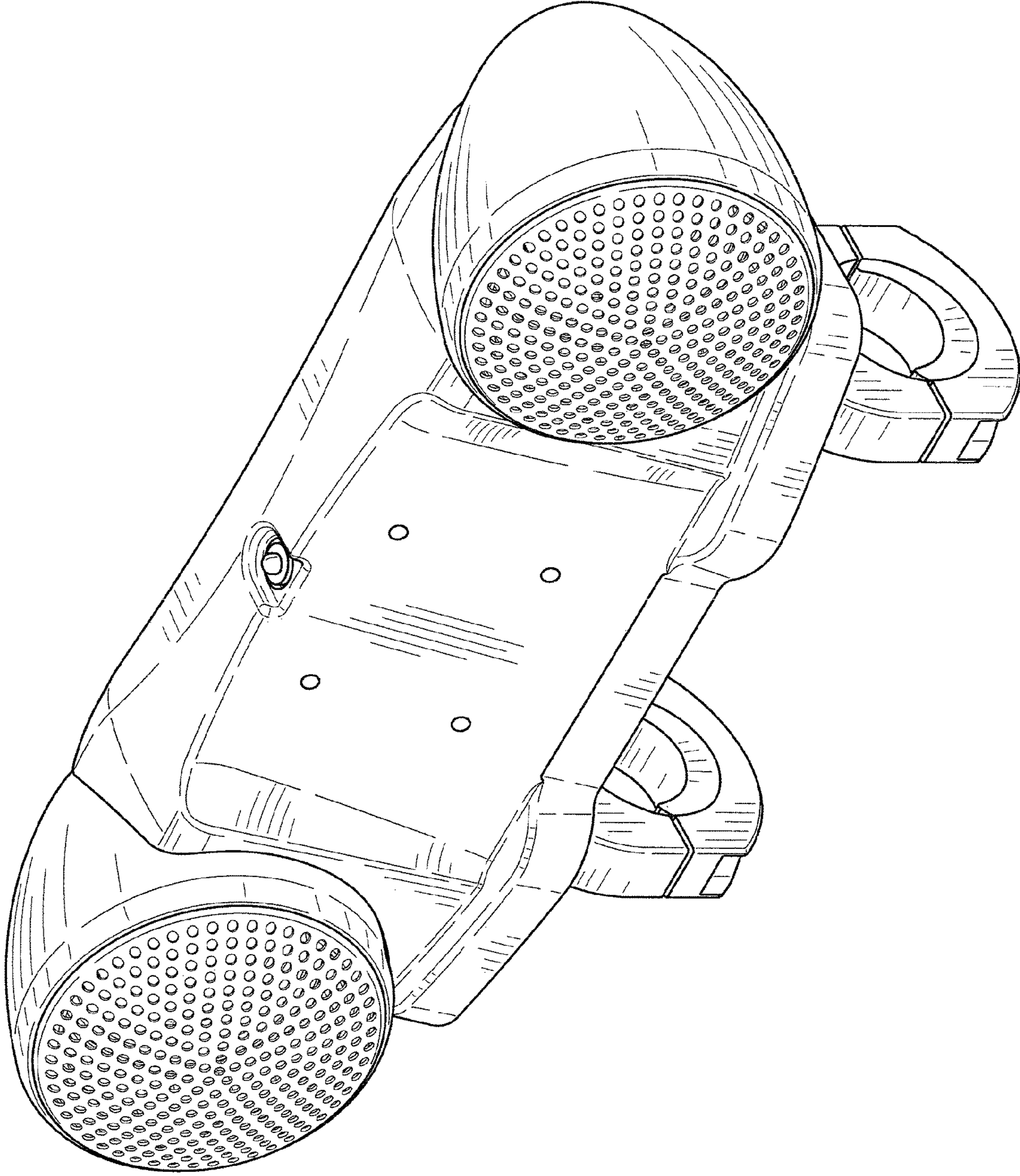


FIG. 1

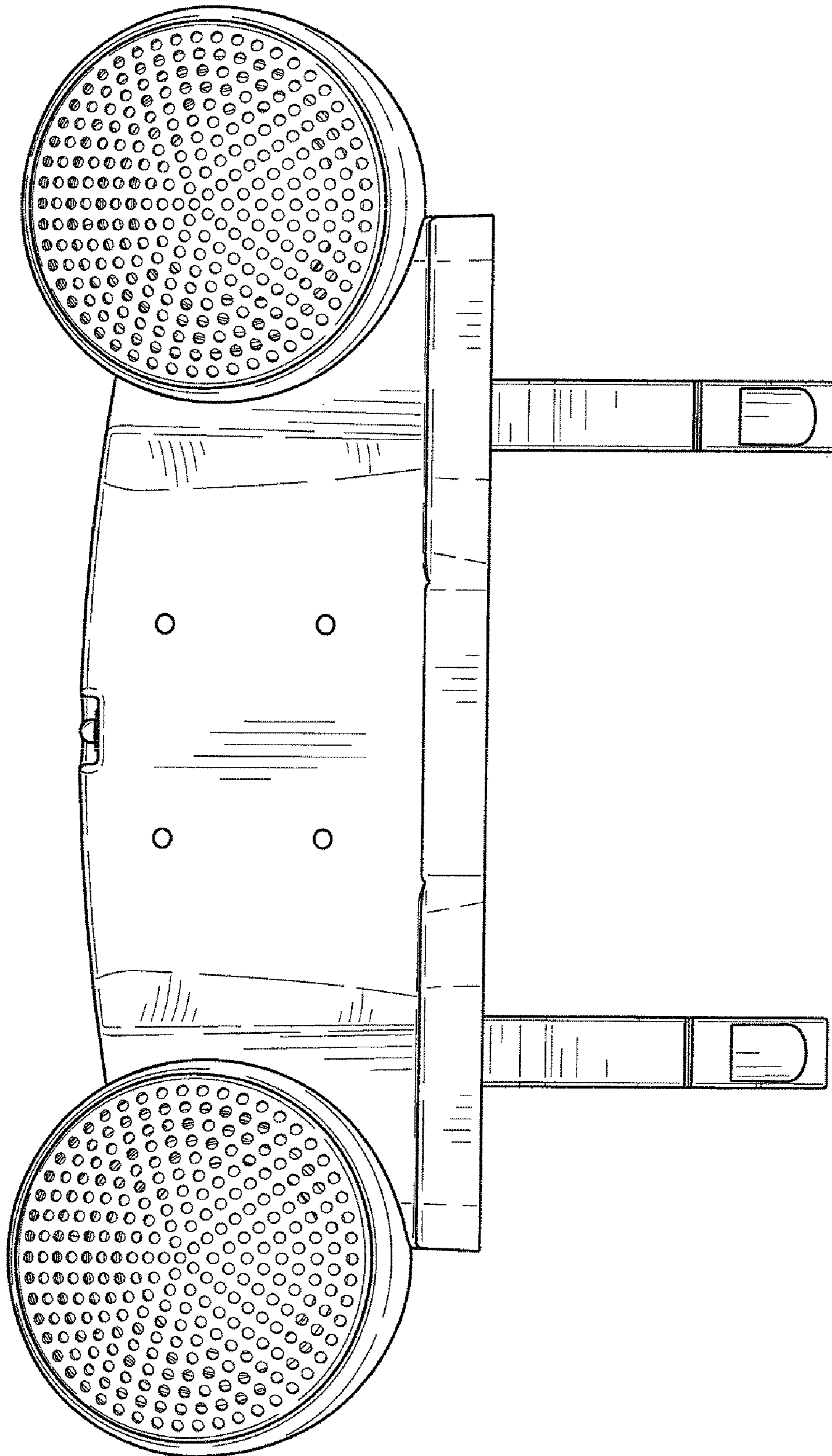


FIG. 2

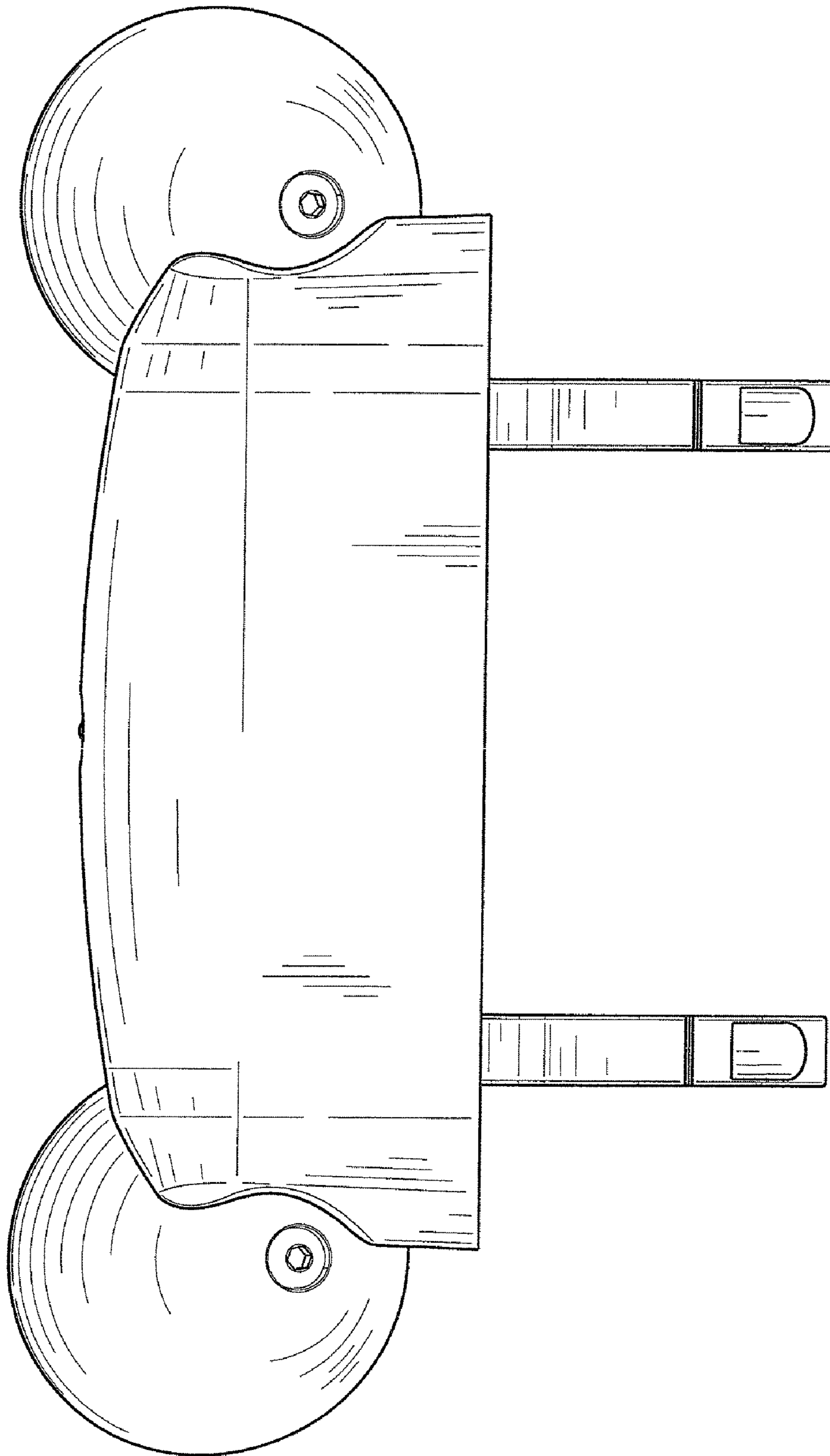


FIG. 3

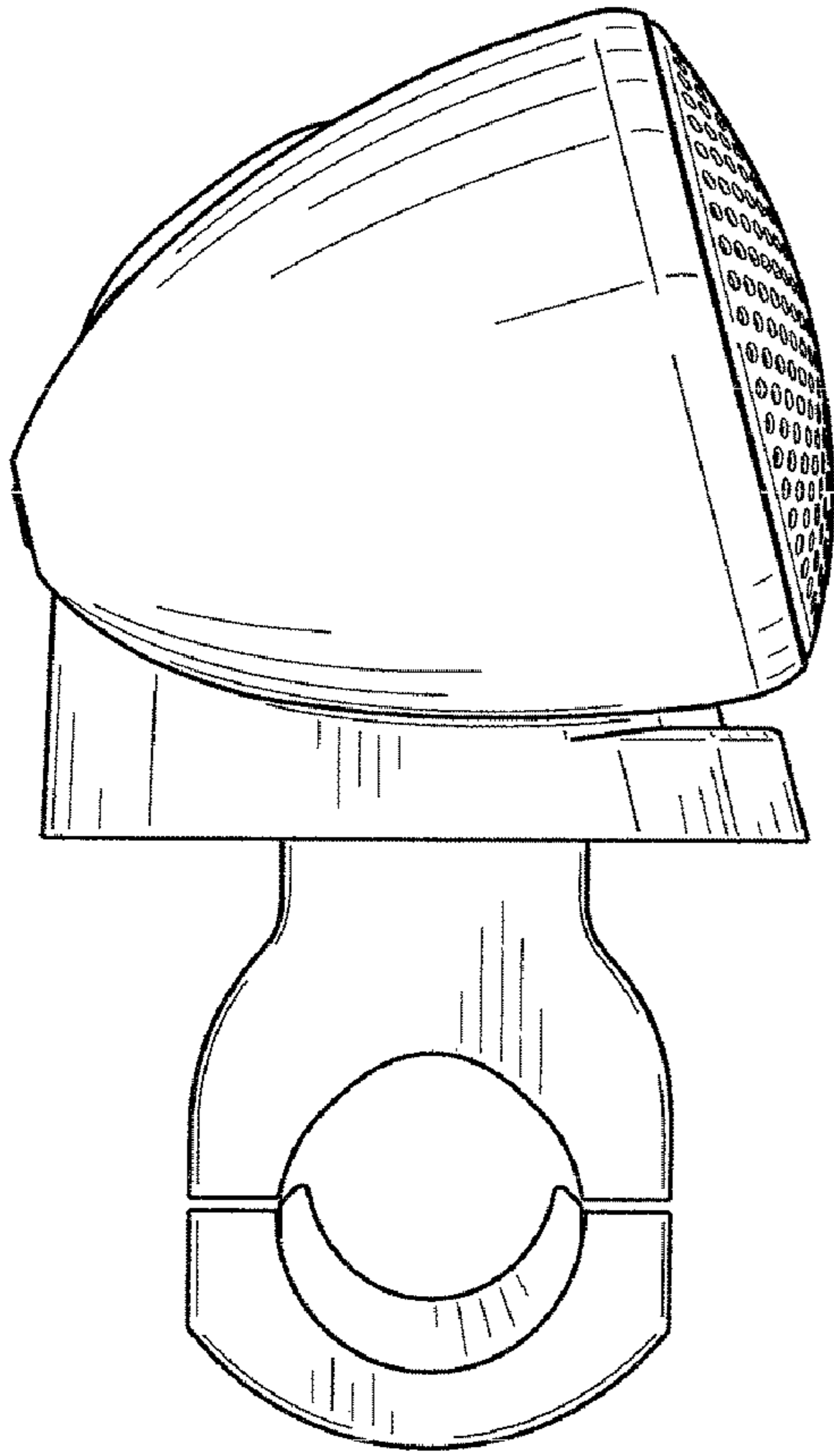


FIG. 4

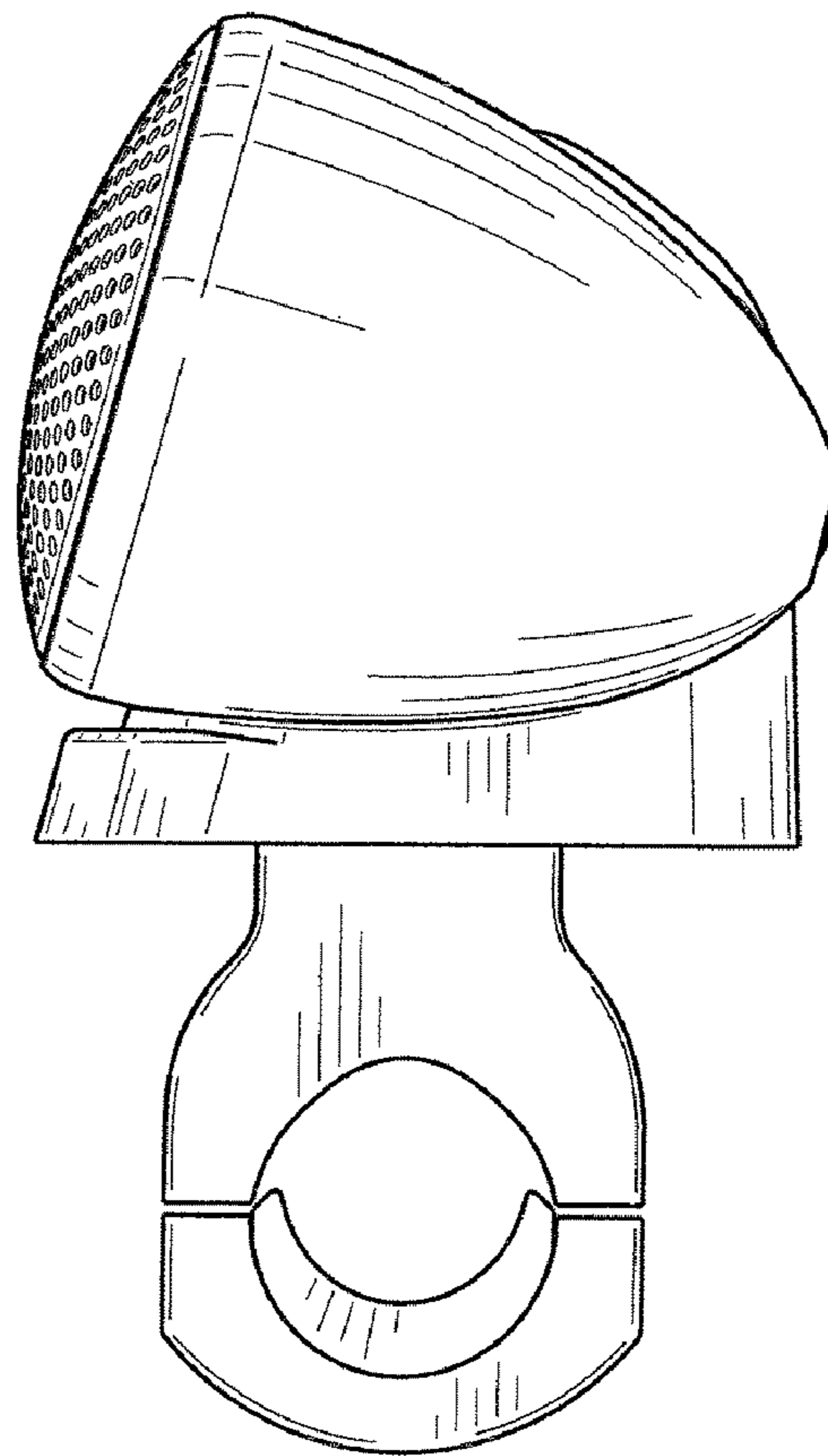


FIG. 5

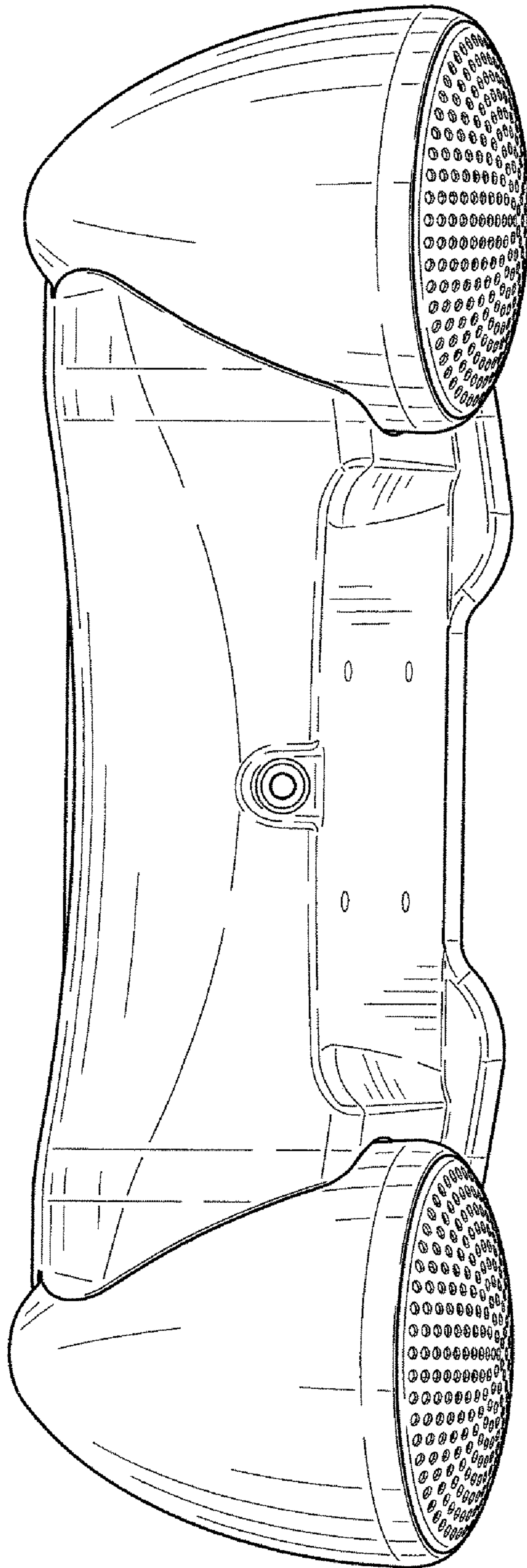


FIG. 6

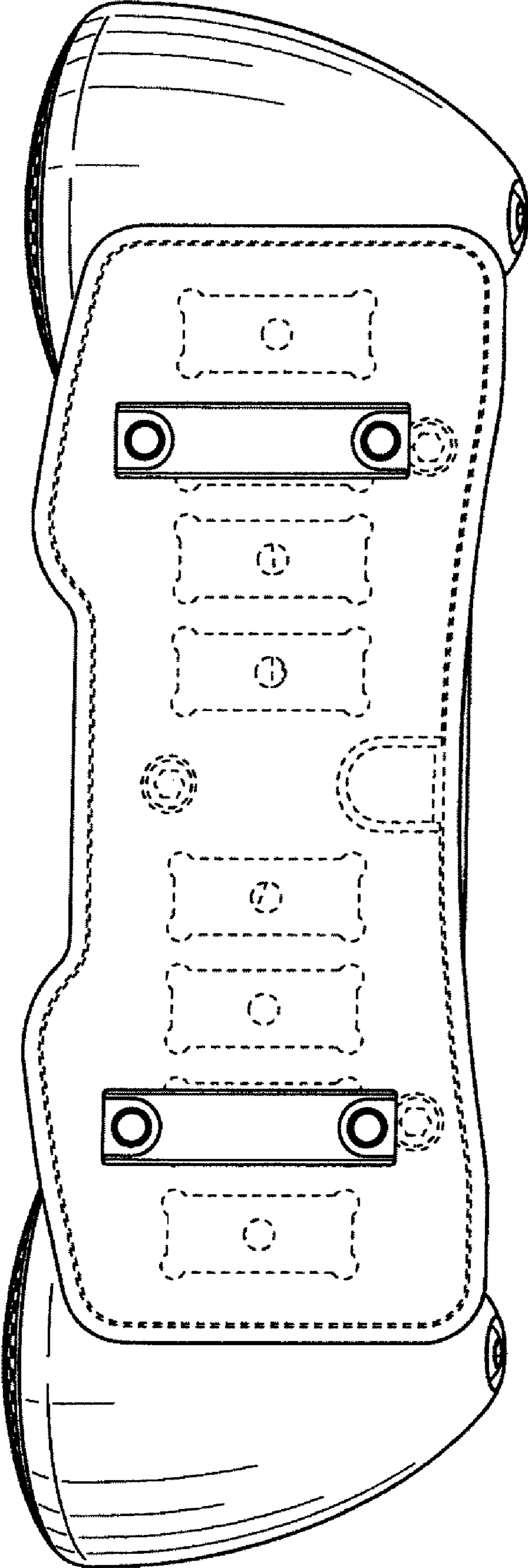


FIG. 7