



US00D601929S

(12) **United States Design Patent**
Bailey

(10) **Patent No.:** **US D601,929 S**
(45) **Date of Patent:** **** Oct. 13, 2009**

(54) **BICYCLE FRAME**

D490,027 S * 5/2004 Martin
Gonzalez-Quevedo D12/111

(75) Inventor: **John Michael Bailey**, Norfolk (GB)

* cited by examiner

(73) Assignee: **Beru F1 Systems Limited**, Norfolk (GB)

Primary Examiner—Robin V Webster

Assistant Examiner—Linda Brooks

(**) Term: **14 Years**

(74) *Attorney, Agent, or Firm*—Workman Nydegger

(21) Appl. No.: **29/330,442**

(57) **CLAIM**

(22) Filed: **Jan. 7, 2009**

The ornamental design for a bicycle frame, as shown and described.

(30) **Foreign Application Priority Data**

DESCRIPTION

Jul. 11, 2008 (EM) 969456-0001

FIG. 1 is a perspective view of a bicycle frame showing my new design;

(51) **LOC (9) Cl.** **12-11**

FIG. 2 is a front elevational view thereof;

(52) **U.S. Cl.** **D12/111**

FIG. 3 is a top plan view thereof;

(58) **Field of Classification Search** D12/111,

FIG. 4 is a rear elevational view thereof;

D12/117; 280/274, 281.1, 275–280, 288

FIG. 5 is a bottom plan view thereof;

See application file for complete search history.

FIG. 6 is a right side elevational view thereof; and,

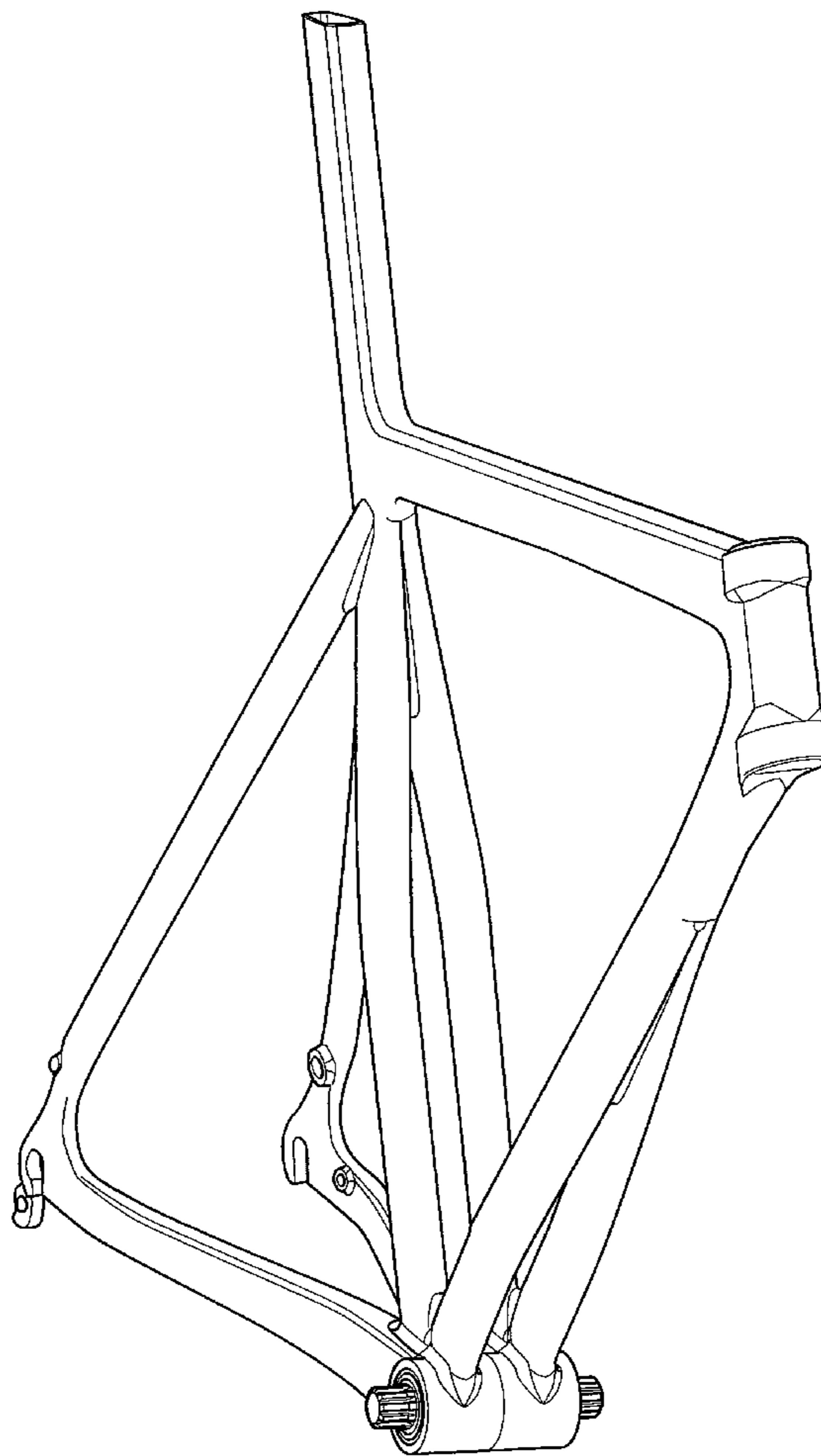
(56) **References Cited**

FIG. 7 is a left side elevational view thereof.

U.S. PATENT DOCUMENTS

541,811 A * 6/1895 Graham 280/281.1

1 Claim, 7 Drawing Sheets



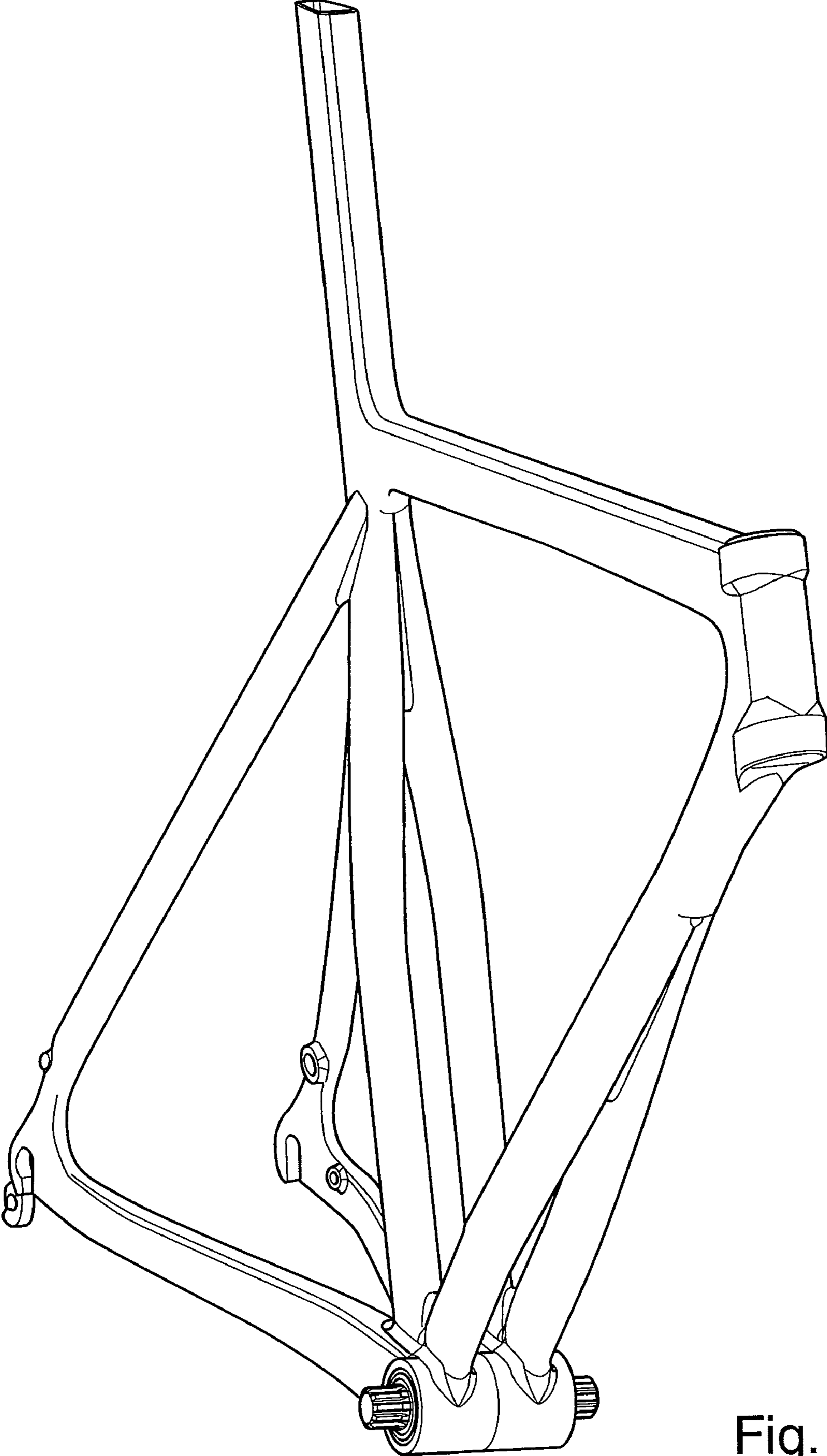


Fig. 1

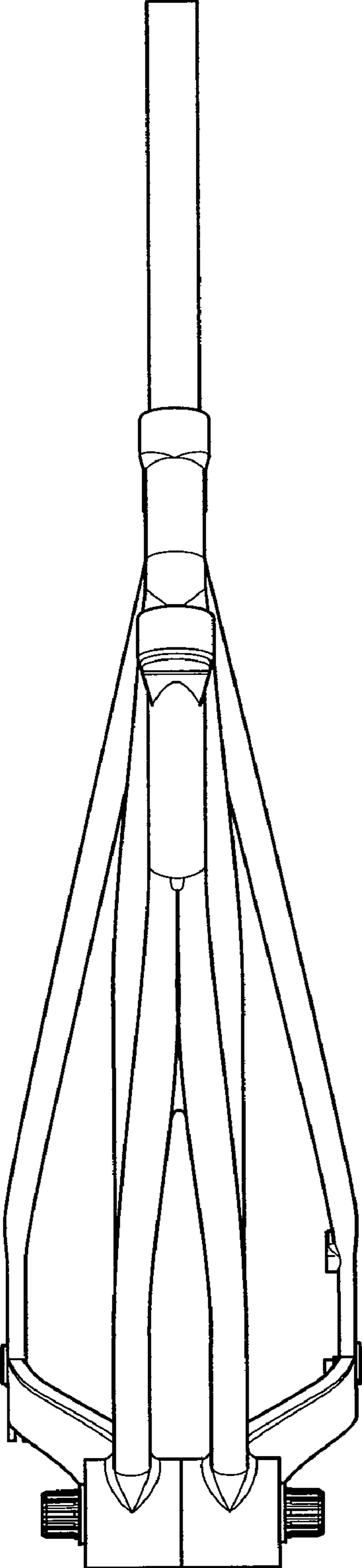


Fig. 2

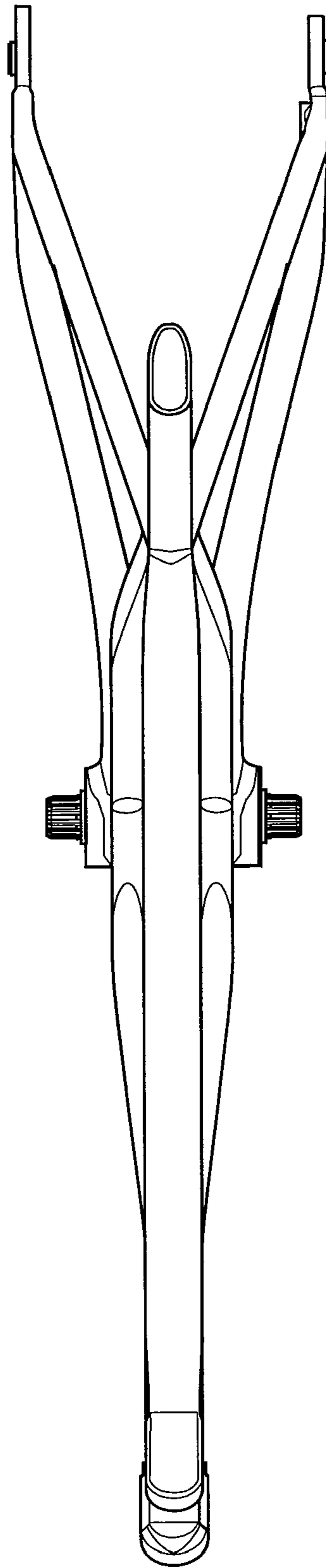


Fig. 3

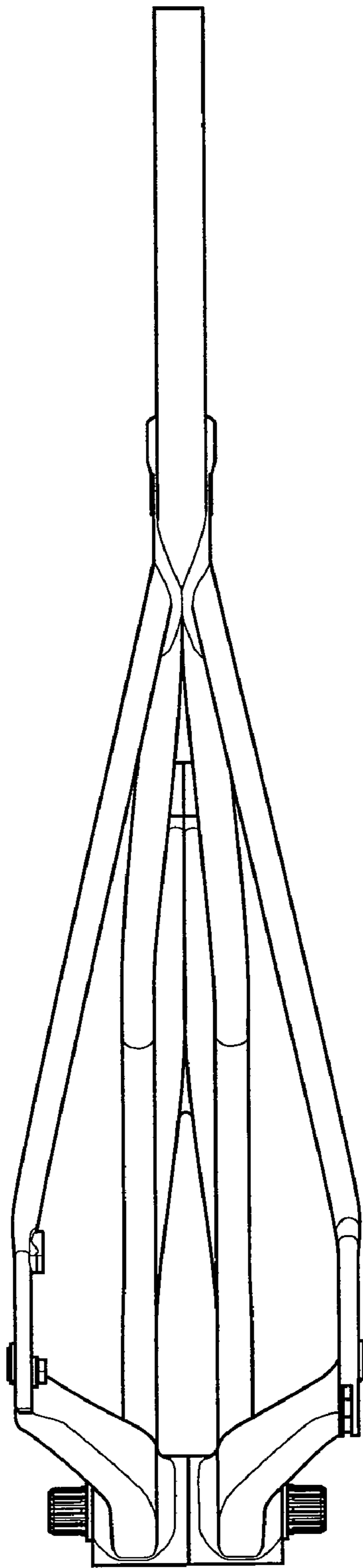


Fig. 4

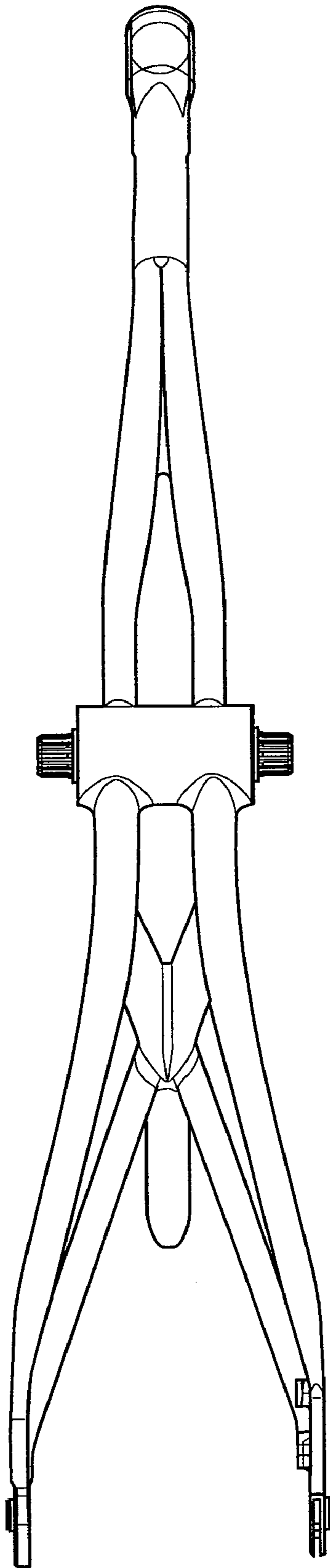


Fig. 5

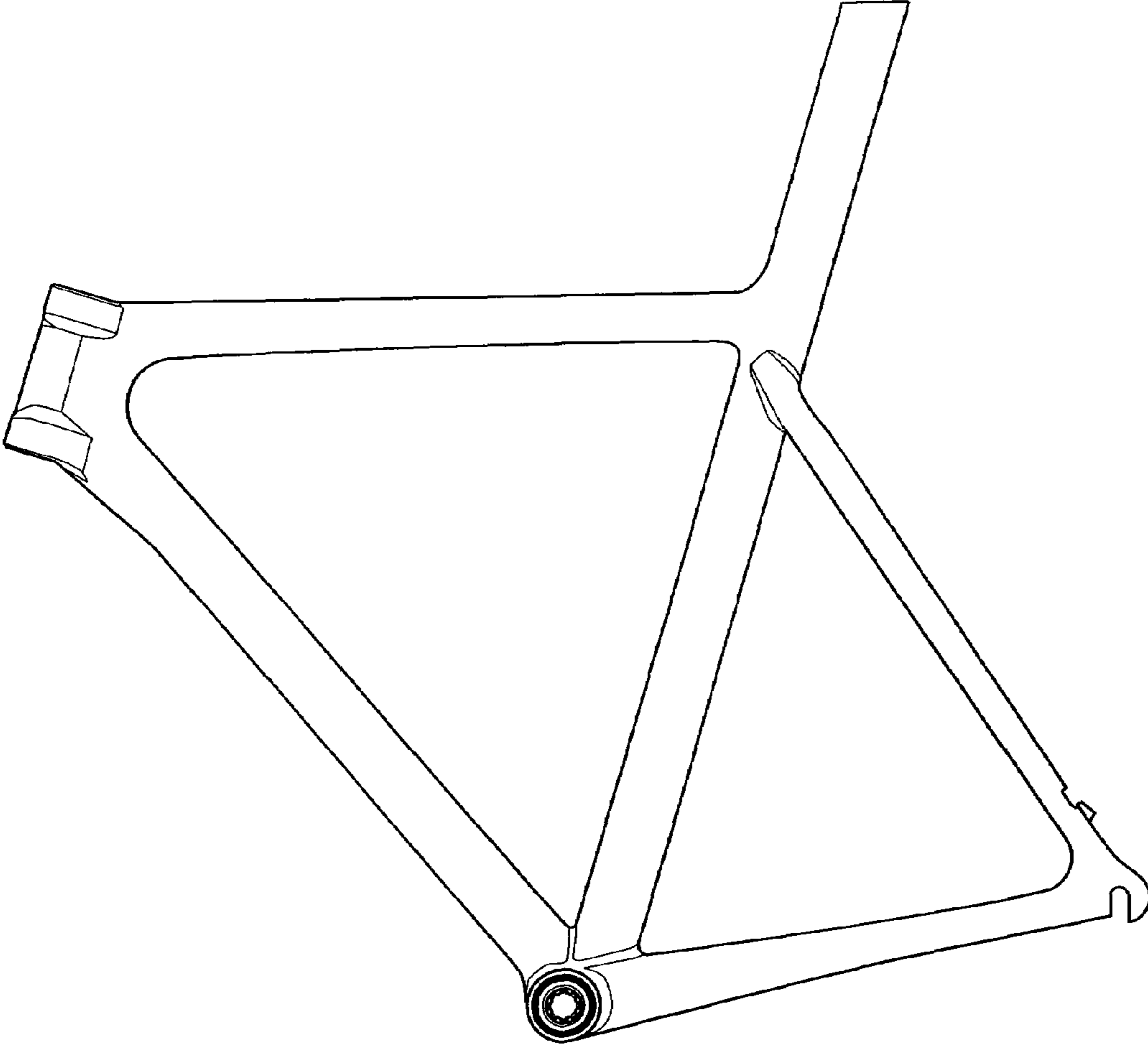


Fig. 6

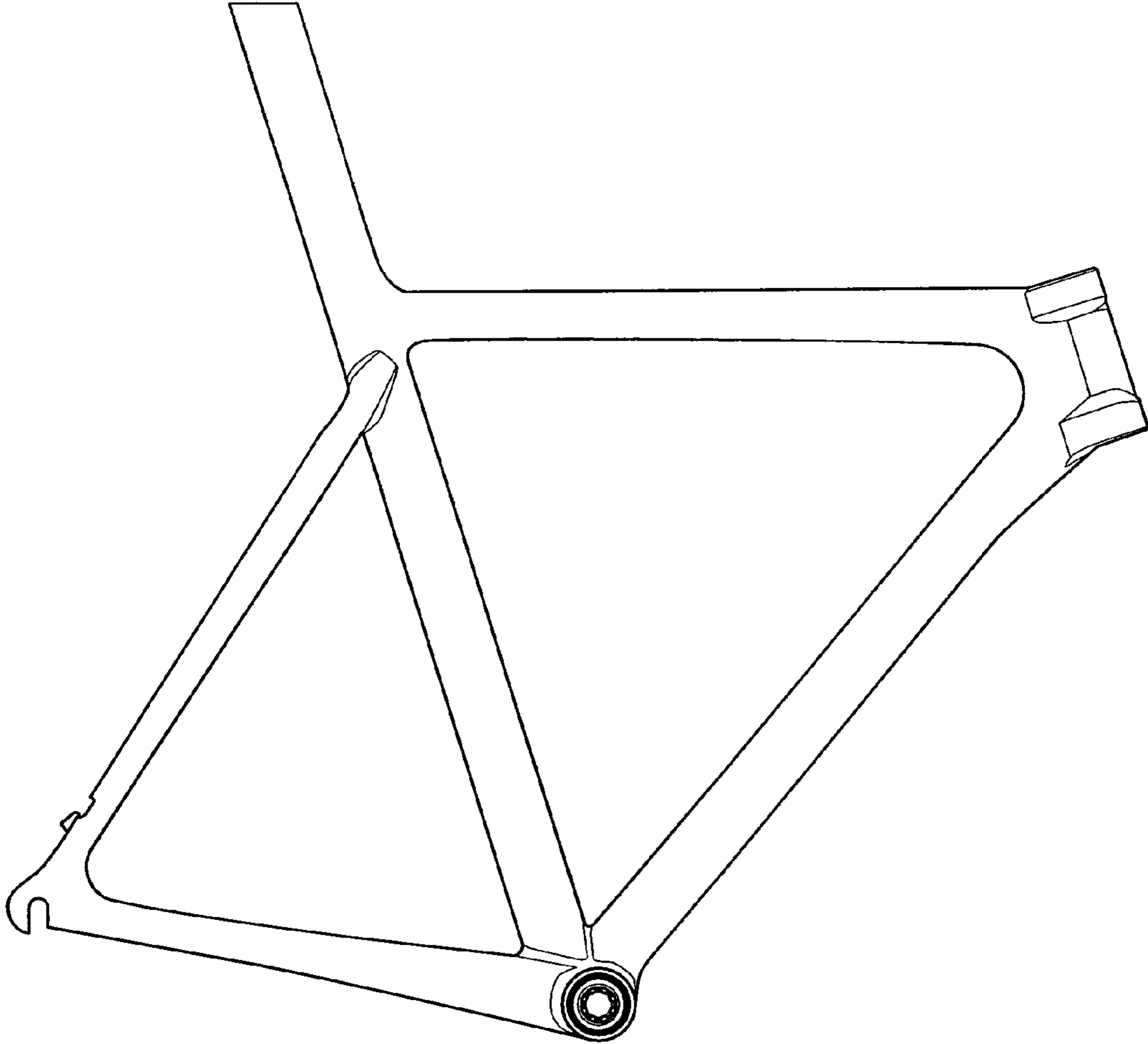


Fig. 7