



US00D601928S

(12) **United States Design Patent**  
**Chen et al.**

(10) **Patent No.:** **US D601,928 S**  
(45) **Date of Patent:** **\*\* Oct. 13, 2009**

(54) **MOTORCYCLE**

(75) Inventors: **Chia-Ching Chen**, Kaohsiung County (TW); **Cheng-Wei Lin**, Kaohsiung (TW); **Kuo-Feng Huang**, Kaohsiung (TW)

(73) Assignee: **Kwang Yang Motor Co., Ltd**, Sanmin District, Kaohsiung (TW)

(\*\*) Term: **14 Years**

(21) Appl. No.: **29/332,829**

(22) Filed: **Feb. 26, 2009**

(30) **Foreign Application Priority Data**

Sep. 29, 2008 (TW) ..... 97305601

(51) **LOC (9) Cl.** ..... **12-11**

(52) **U.S. Cl.** ..... **D12/110**

(58) **Field of Classification Search** ..... D12/110;  
180/219, 220

See application file for complete search history.

(56) **References Cited**

**U.S. PATENT DOCUMENTS**

D399,174 S \* 10/1998 Takeshita et al. .... D12/110

D443,849 S \* 6/2001 Chen ..... D12/110  
D493,122 S \* 7/2004 Huang et al. .... D12/110  
D586,700 S \* 2/2009 Chiu et al. .... D12/110  
D593,909 S \* 6/2009 Chiu et al. .... D12/110

\* cited by examiner

*Primary Examiner*—Cathron C Brooks

*Assistant Examiner*—Linda G. Brooks

(74) *Attorney, Agent, or Firm*—Vedder Price P.C.

(57) **CLAIM**

The ornamental design for a motorcycle, as shown and described.

**DESCRIPTION**

FIG. 1 is a perspective view of a motorcycle showing my new design;

FIG. 2 is a front elevational view thereof;

FIG. 3 is a rear elevational view thereof;

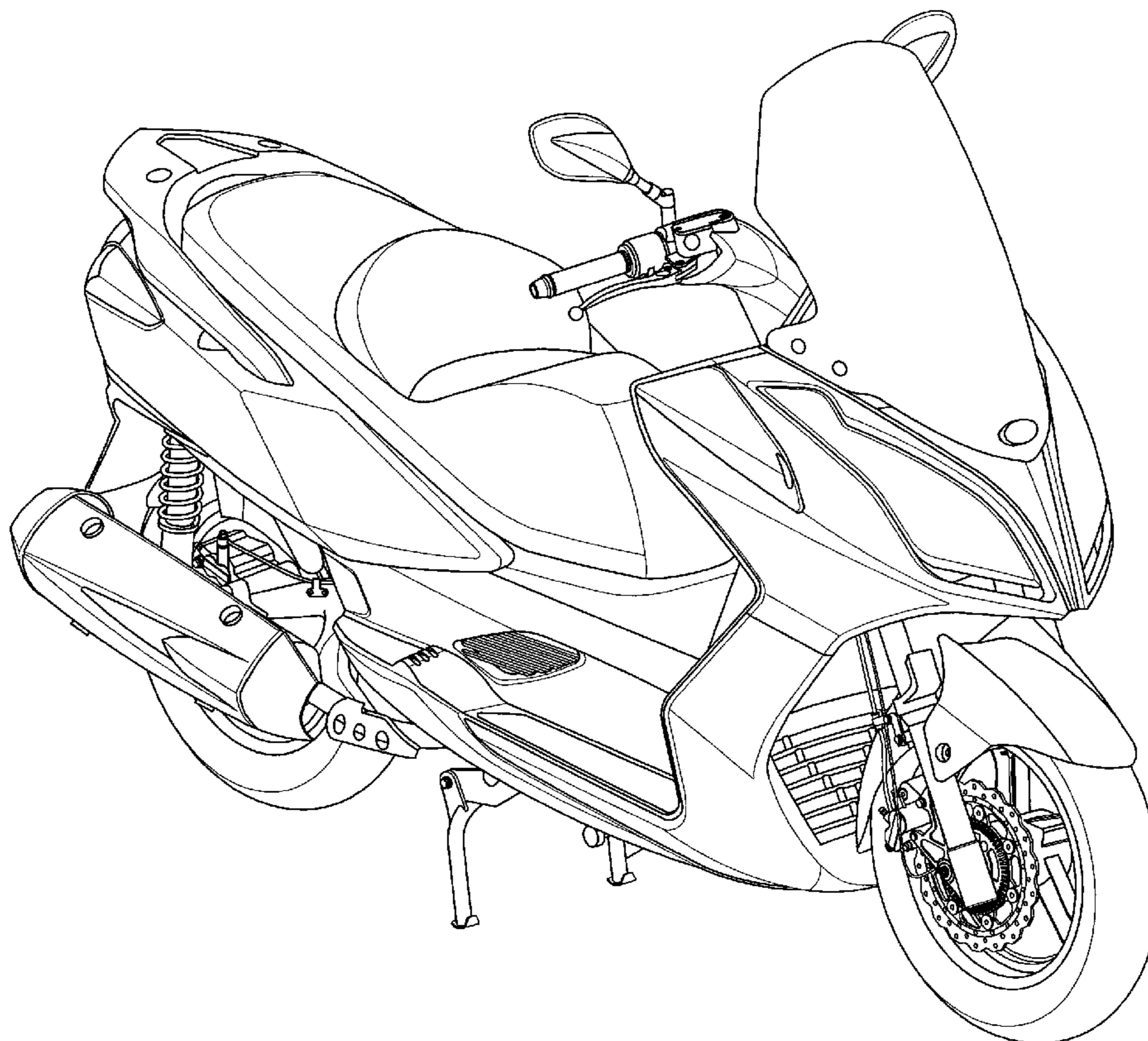
FIG. 4 is a left side elevational view thereof;

FIG. 5 is a right side elevational view thereof;

FIG. 6 is a top plan view thereof; and,

FIG. 7 is a bottom plan view thereof.

**1 Claim, 6 Drawing Sheets**



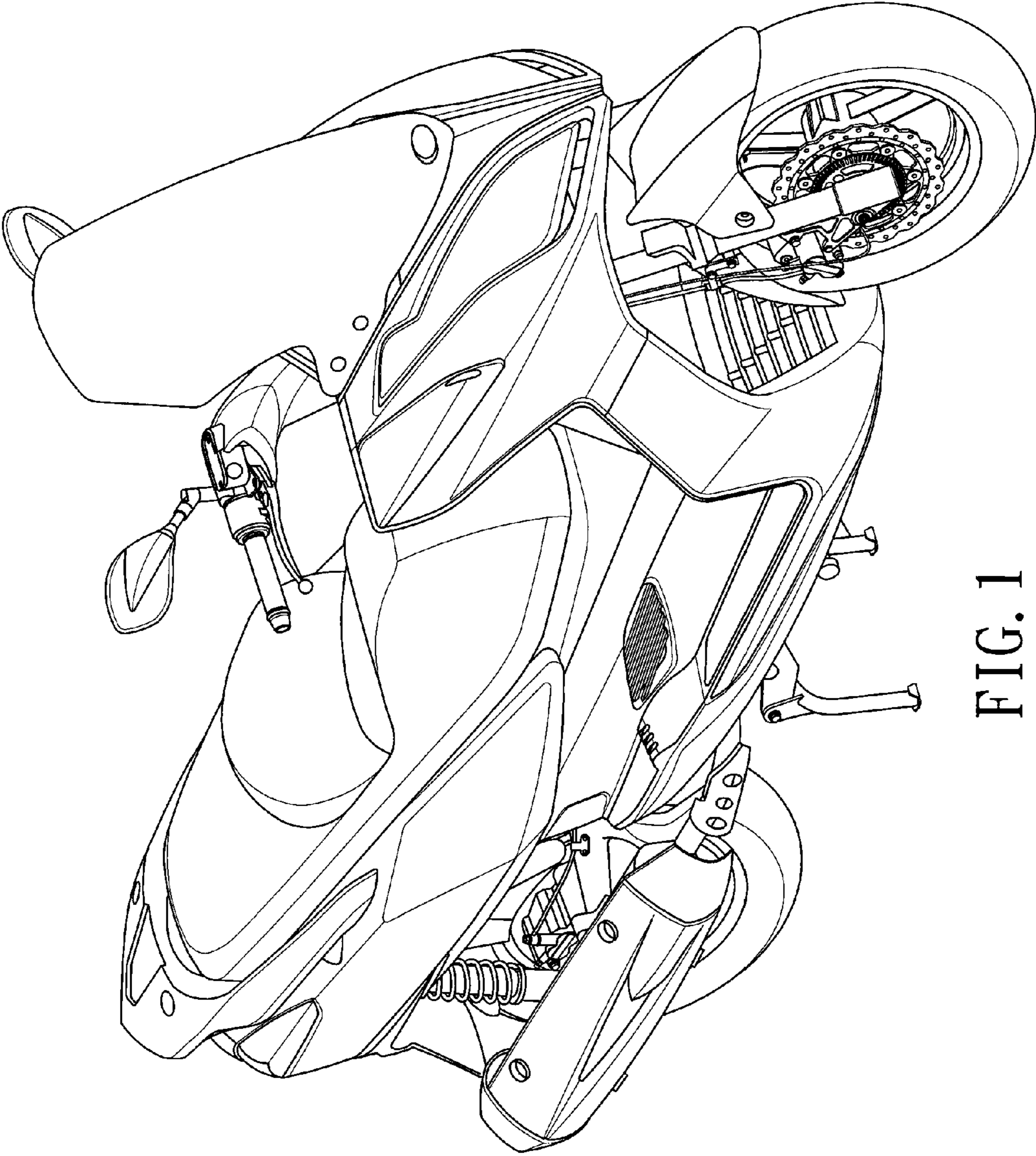


FIG. 1

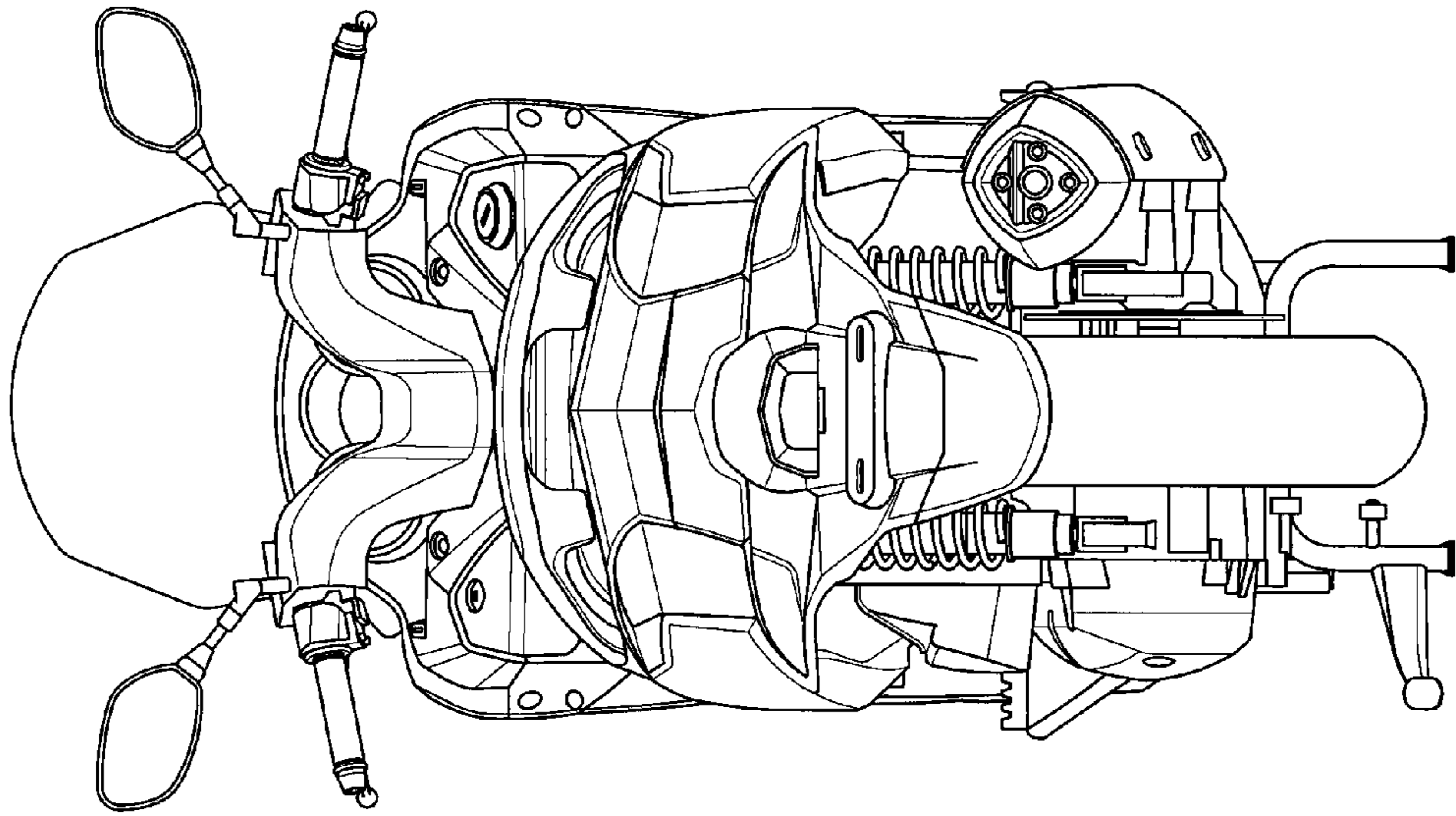


FIG. 3

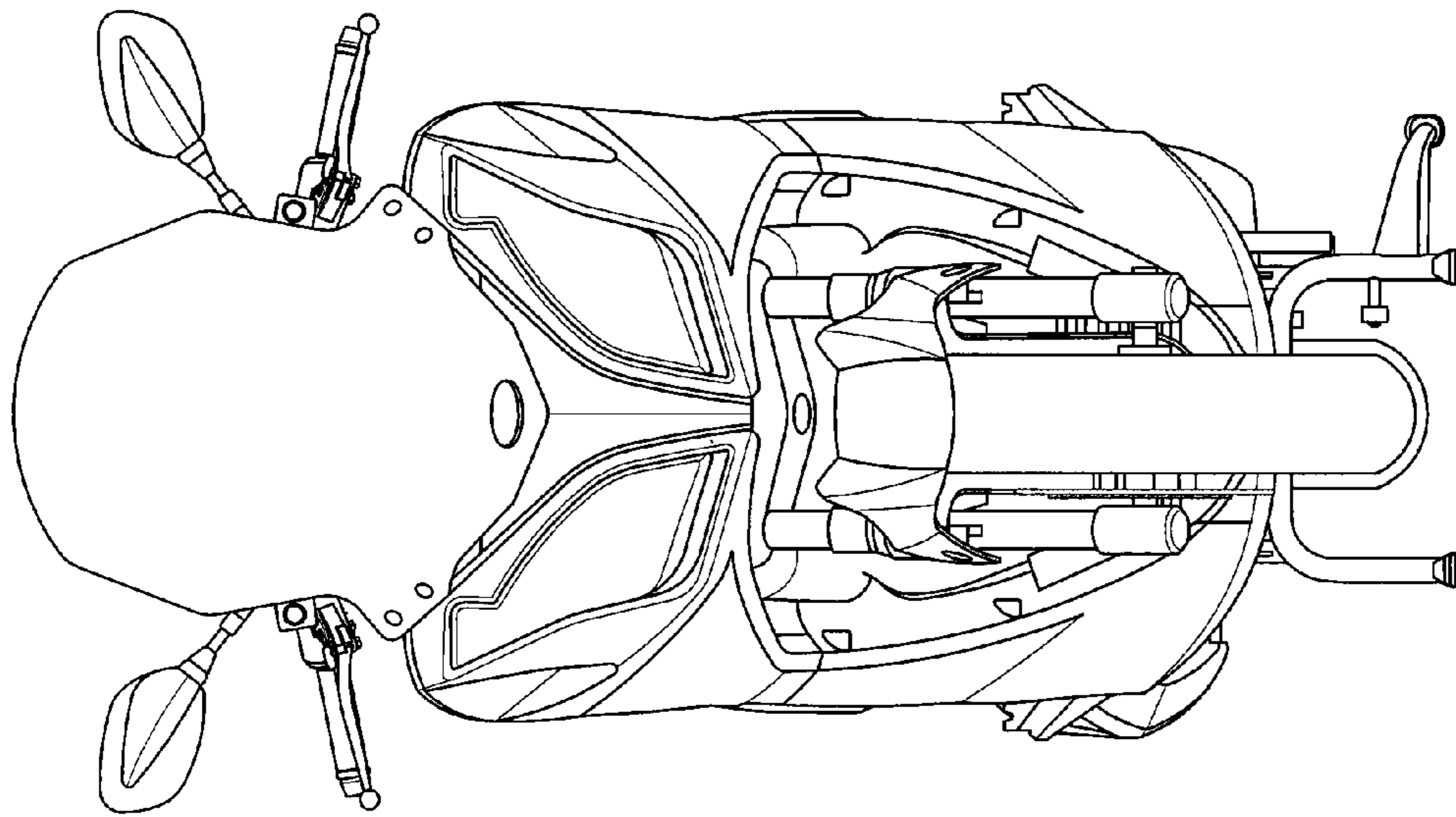


FIG. 2

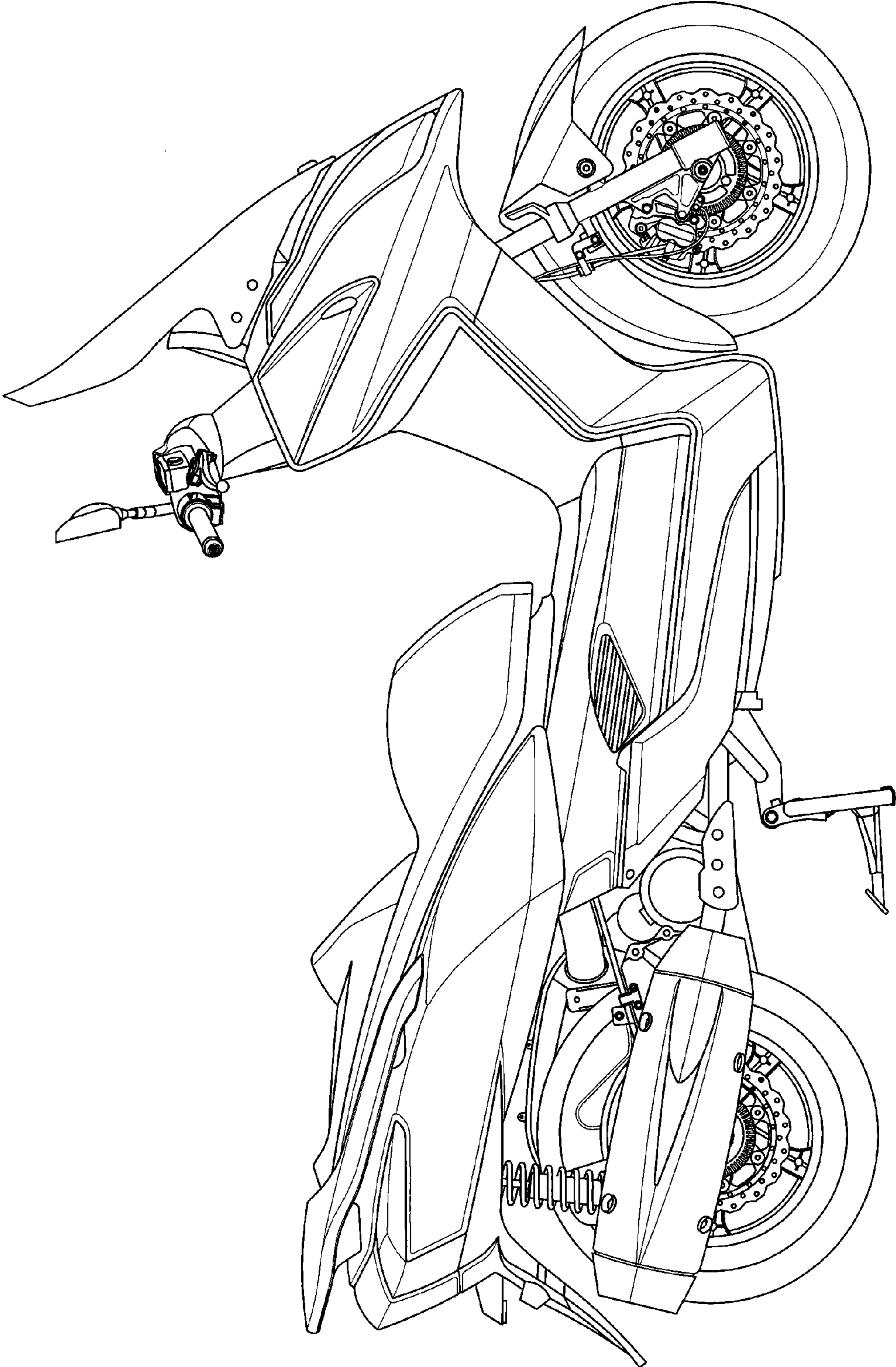


FIG. 4

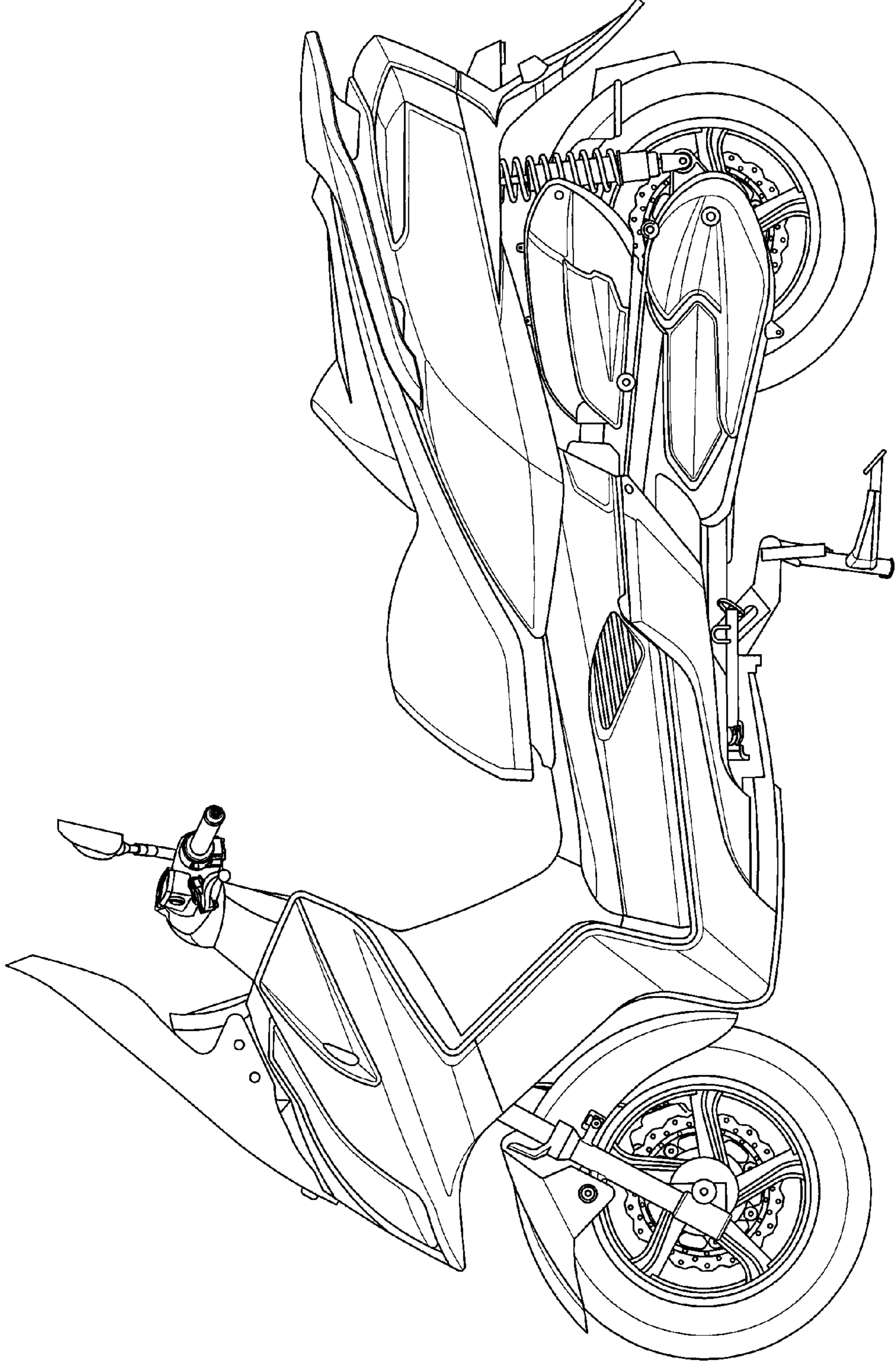


FIG. 5

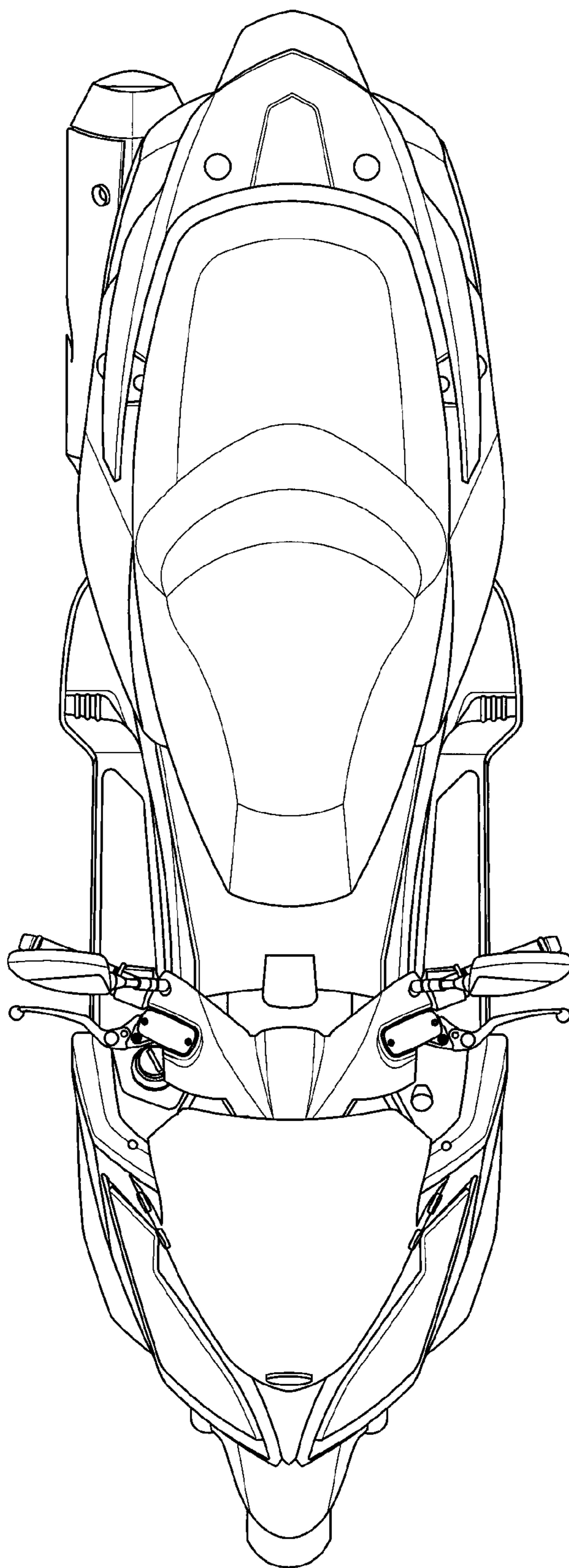


FIG. 6

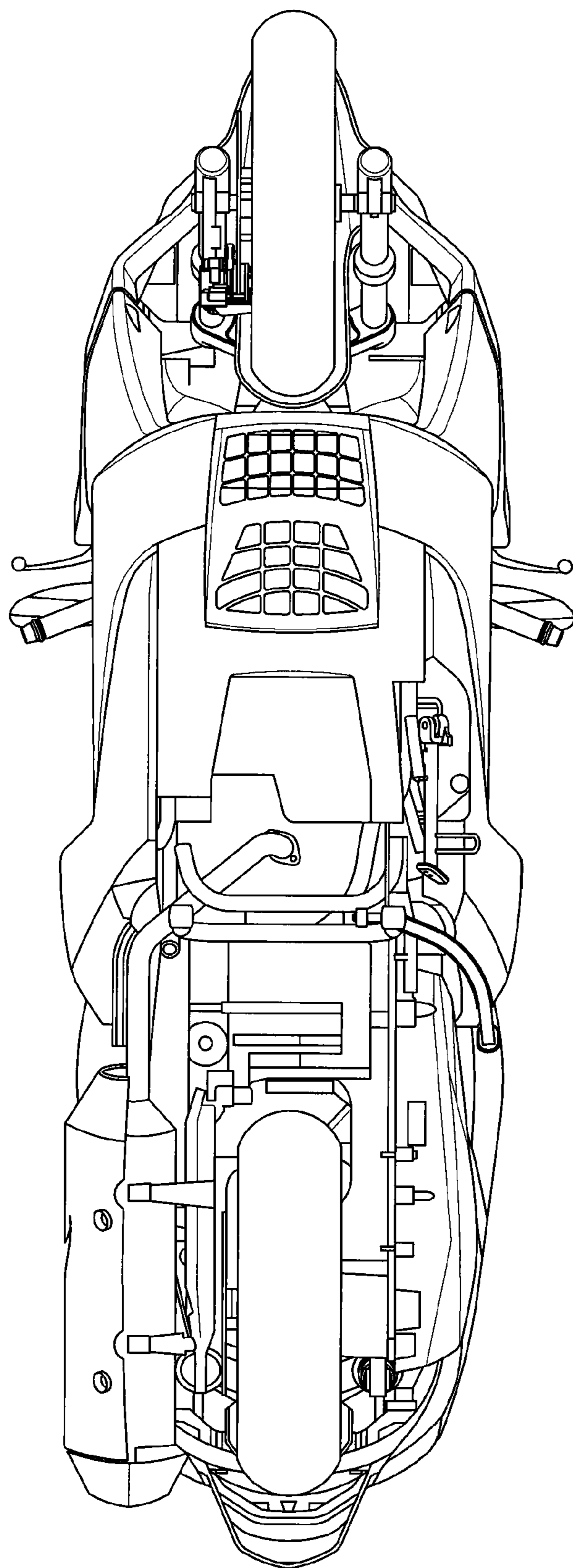


FIG. 7