



US00D601926S

(12) **United States Design Patent**  
**Kingsbury**

(10) **Patent No.:** **US D601,926 S**

(45) **Date of Patent:** **\*\* Oct. 13, 2009**

(54) **MOTORCYCLE FRAME**

(76) Inventor: **Stephen A. Kingsbury**, 34,378 310th St., Lanesboro, MN (US) 55949

(\*\*) Term: **14 Years**

(21) Appl. No.: **29/313,272**

(22) Filed: **Dec. 22, 2008**

(51) **LOC (9) Cl.** ..... **12-11**

(52) **U.S. Cl.** ..... **D12/110**

(58) **Field of Classification Search** ..... D12/110,  
D12/117; 180/219, 311, 312; 280/274, 278,  
280/281.1, 287, 288.1-288.3

See application file for complete search history.

(56) **References Cited**

**U.S. PATENT DOCUMENTS**

D512,345 S \* 12/2005 Beich ..... D12/110  
D517,451 S \* 3/2006 Alsop ..... D12/110

**OTHER PUBLICATIONS**

Mitchel, Doug. Choppers and Custom Motorcycles. IL., Publications International, Ltd. © 2005. 'Old Skool Chopper' on p. 48 and 'Chopper, Baby' on p. 243.\*

\* cited by examiner

*Primary Examiner*—Robin V Webster

*Assistant Examiner*—Linda G. Brooks

(74) *Attorney, Agent, or Firm*—bobharter.com; Robert J. Harter

(57) **CLAIM**

I claim the ornamental design for a motorcycle frame, as shown and described.

**DESCRIPTION**

FIG. 1 is a perspective view of the motorcycle frame showing my new design;

FIG. 2 is a right side view thereof;

FIG. 3 is a left side view thereof;

FIG. 4 is a front view thereof;

FIG. 5 is a back view thereof;

FIG. 6 is a top view thereof; and,

FIG. 7 is a bottom view thereof.

**1 Claim, 4 Drawing Sheets**

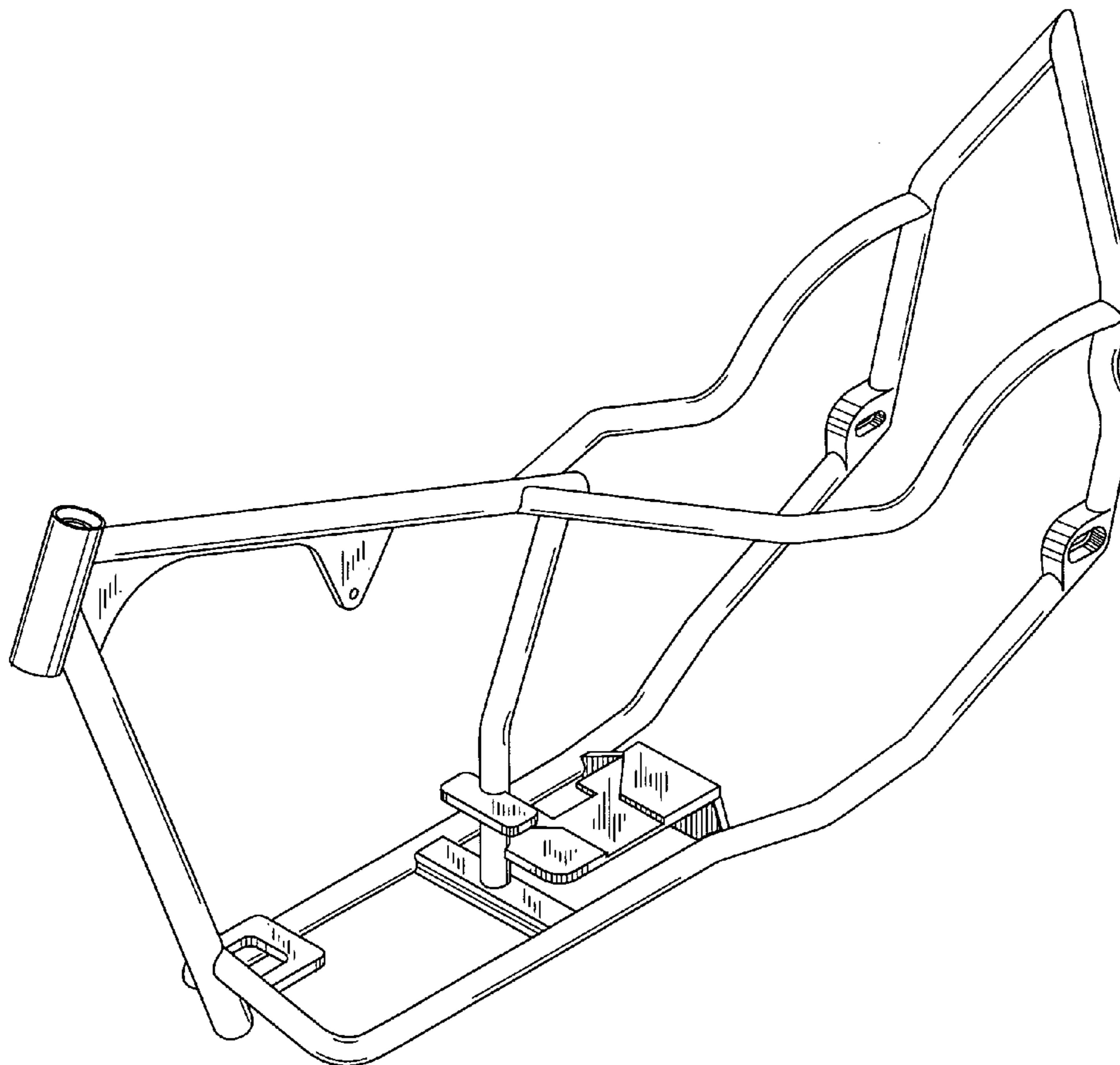


FIG. 1

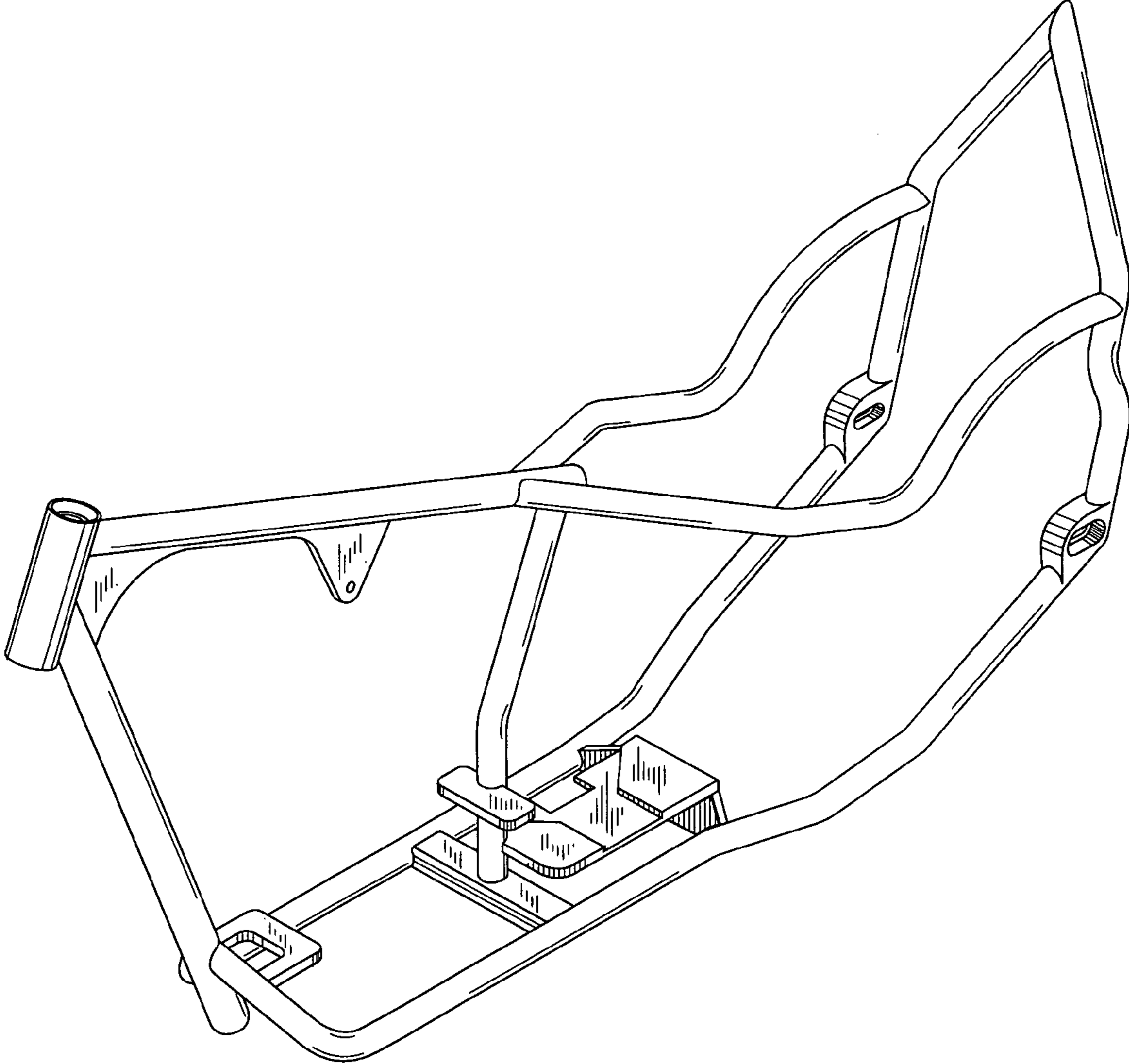


FIG. 2

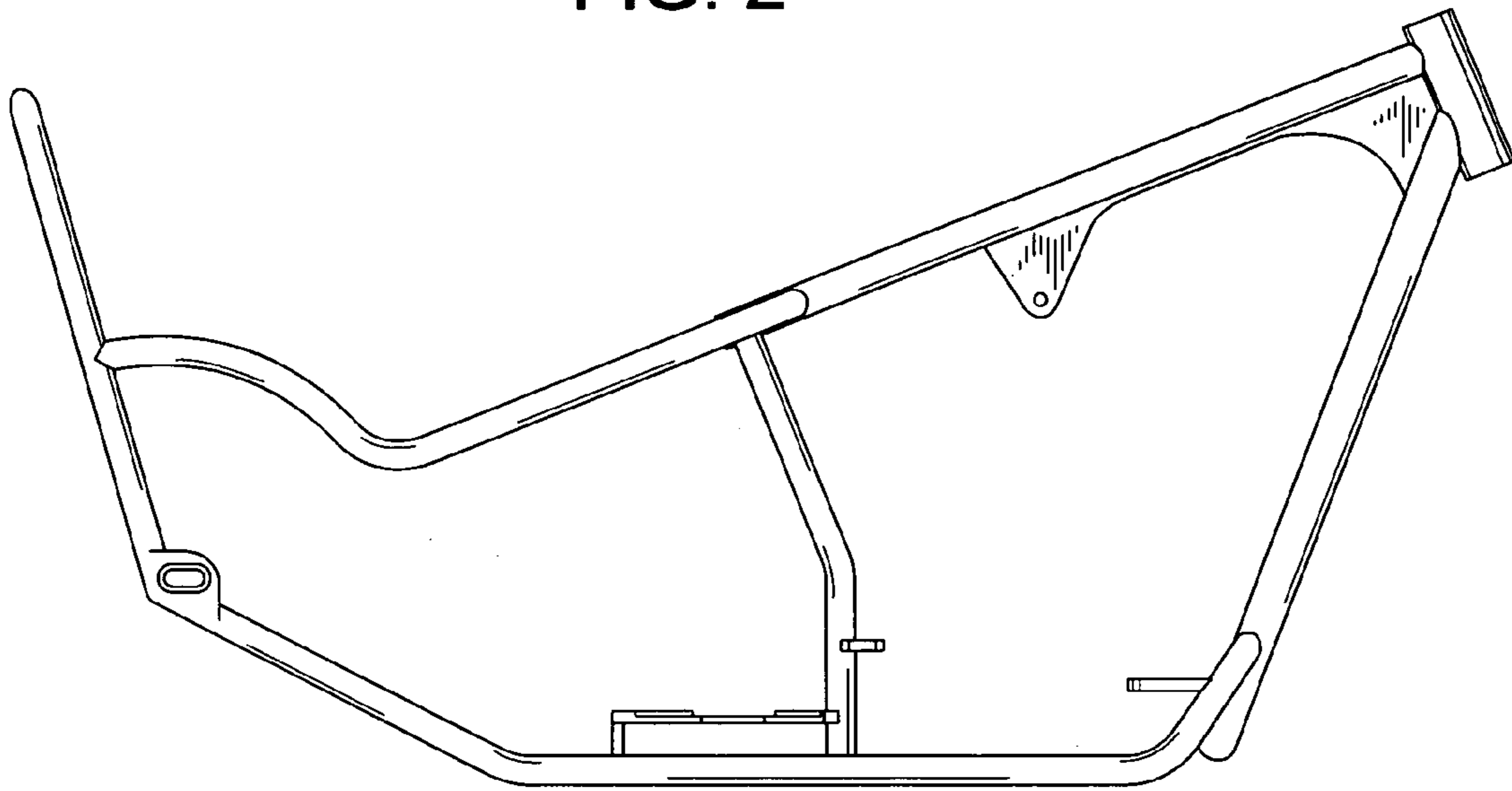


FIG. 3

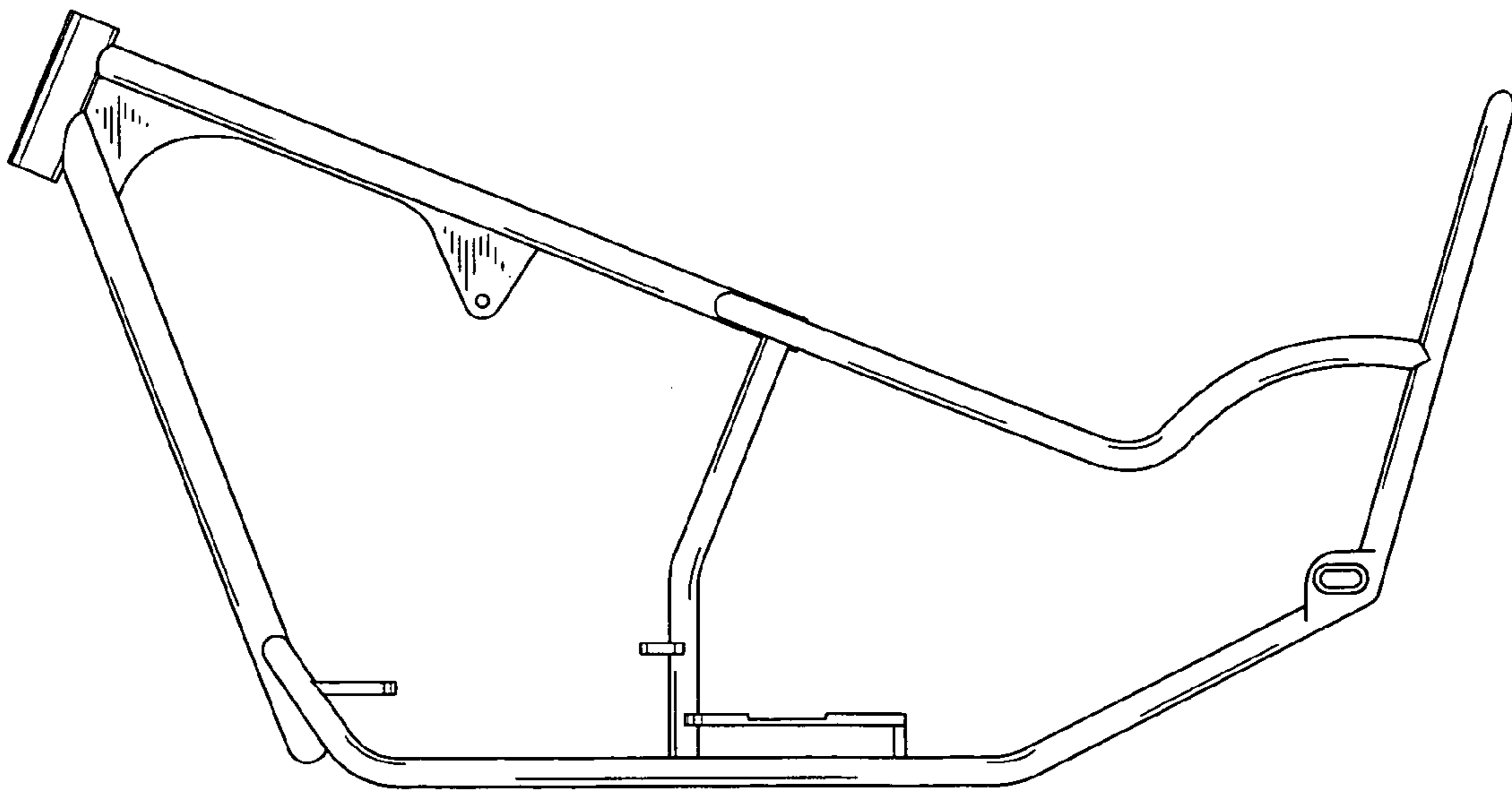


FIG. 4

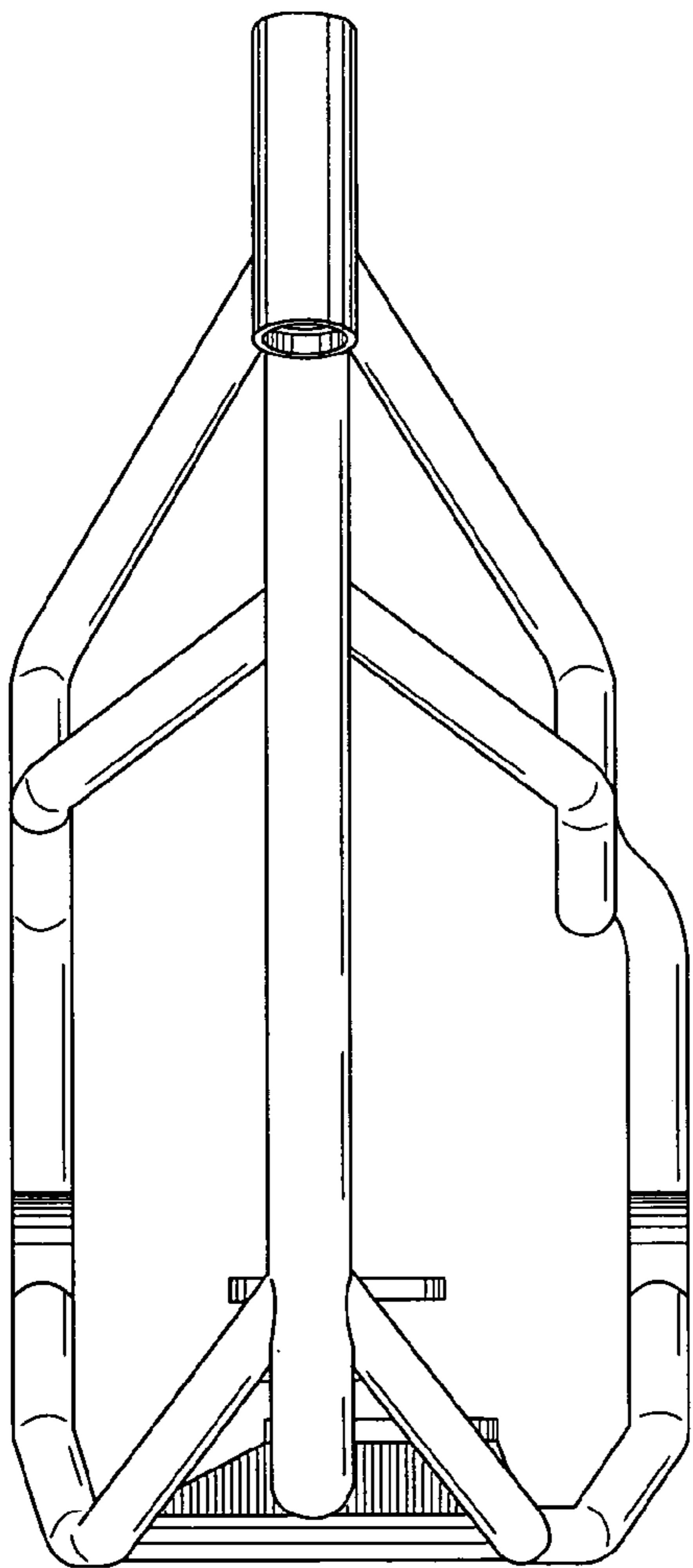


FIG. 5

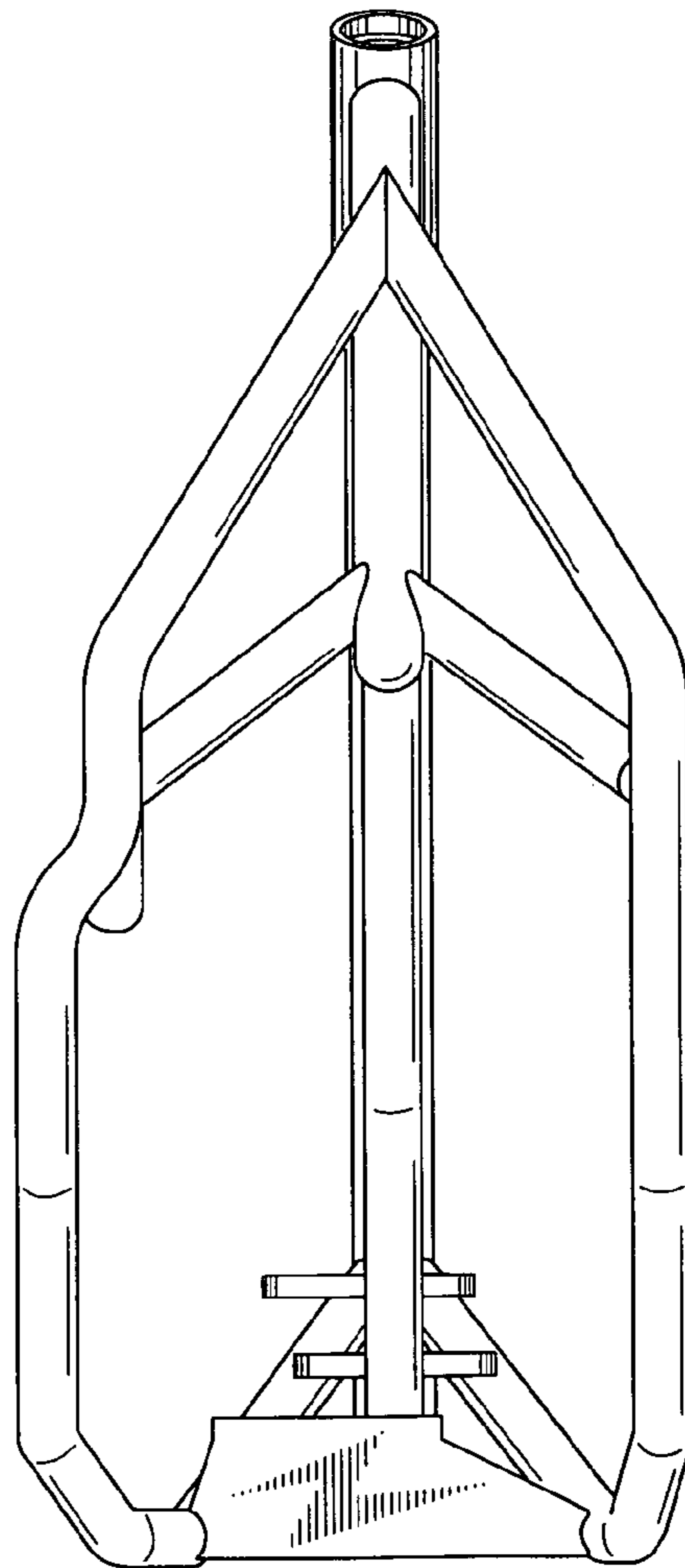


FIG. 6

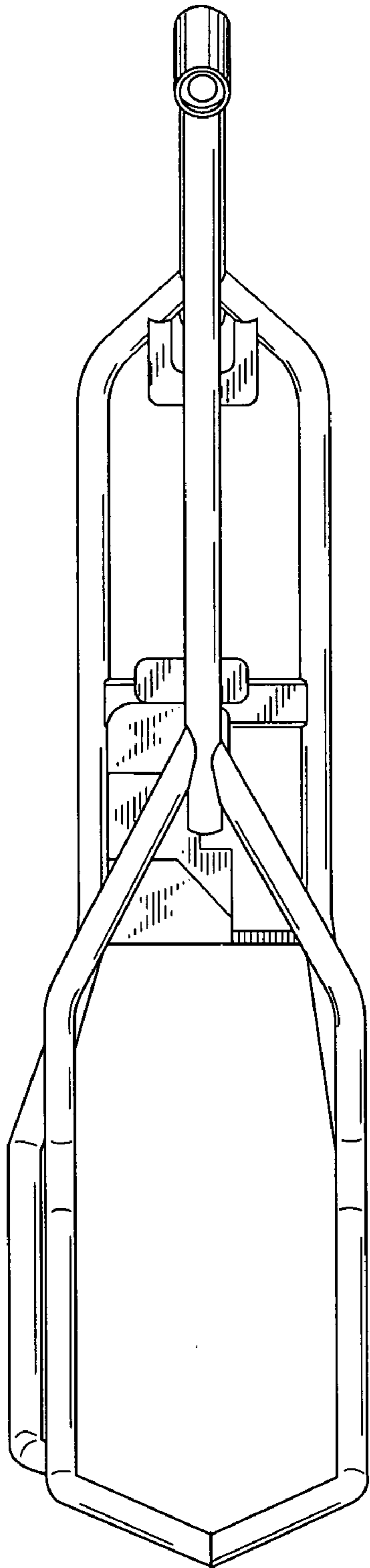


FIG. 7

