



US00D601916S

(12) **United States Design Patent**
Moss

(10) **Patent No.:** **US D601,916 S**
(45) **Date of Patent:** **** Oct. 13, 2009**

(54) **JEWELRY FASTENER**

(76) Inventor: **Kimball Moss**, 441 B Goldenrod Ave.,
Corona Del Mar, CA (US) 92625

(**) Term: **14 Years**

(21) Appl. No.: **29/317,718**

(22) Filed: **May 5, 2008**

Related U.S. Application Data

(63) Continuation of application No. 29/265,766, filed on
Sep. 8, 2006, now abandoned.

(51) **LOC (9) Cl.** **11-01**

(52) **U.S. Cl.** **D11/87**

(58) **Field of Classification Search** D11/1-2,
D11/200-201, 208-210, 212-218, 220, 230-234,
D11/236-237, 86-87, 94; 24/307, 625, 616,
24/200, 196, 637, 171, 169, 112, 614, 615,
24/373; 63/3.1, 35

See application file for complete search history.

(56) **References Cited**

U.S. PATENT DOCUMENTS

D82,429 S	11/1930	Lucomlin
D93,340 S	9/1934	Furtsch
3,129,477 A	4/1964	Mizuno
D208,454 S	9/1967	Welch
3,967,351 A	7/1976	Rosenberg et al.
4,024,607 A	5/1977	Rosenberg et al.
4,188,688 A	2/1980	D'Orgelys
4,245,377 A	1/1981	Soltes
4,281,441 A	8/1981	Rasner
4,655,054 A	4/1987	Roesch
4,781,037 A	11/1988	Willibald
5,018,250 A	5/1991	Shroder
5,050,276 A	9/1991	Pemberton
5,197,168 A	3/1993	Levy
5,245,732 A	9/1993	Johnston
5,351,505 A	10/1994	Febrer
5,367,891 A	11/1994	Furuyama
5,410,784 A	5/1995	Katz
5,412,850 A	5/1995	Miranda

5,432,986 A	7/1995	Sexton	
5,457,860 A	10/1995	Miranda	
D366,007 S *	1/1996	Colpo D11/87
5,689,867 A	11/1997	Katz	
5,845,373 A	12/1998	Langer	
D405,352 S	2/1999	Rosenbauer	
5,921,110 A	7/1999	Middendorff et al.	
6,640,398 B2	11/2003	Hoffman	
6,810,685 B2	11/2004	Esposito, Jr.	
6,981,391 B2	1/2006	Suzuki	
D514,474 S	2/2006	Neri	
D561,636 S	2/2008	Khubani	
D567,704 S *	4/2008	Martin D11/87
2003/0005558 A1	1/2003	Wong	

OTHER PUBLICATIONS

“Magnetic Lasp Converter (Gold)”, available at <http://www.dynamic-living.com/magnetic-claps.htm>, last accessed May 18, 2006.
Top view of magnetic claps, http://bookofioe.typepad.com/photos.uncategorized/p69367b_1.jpg, last accessed May 18, 2006.
“Magnetic Necklace Claps”, available at http://www.bookojoe.com/2006/04/magnetic_neckla.html, last accessed May 18, 2006.

(Continued)

Primary Examiner—R. Seifert

(74) *Attorney, Agent, or Firm*—Knobbe Martens Olsen & Bear LLP

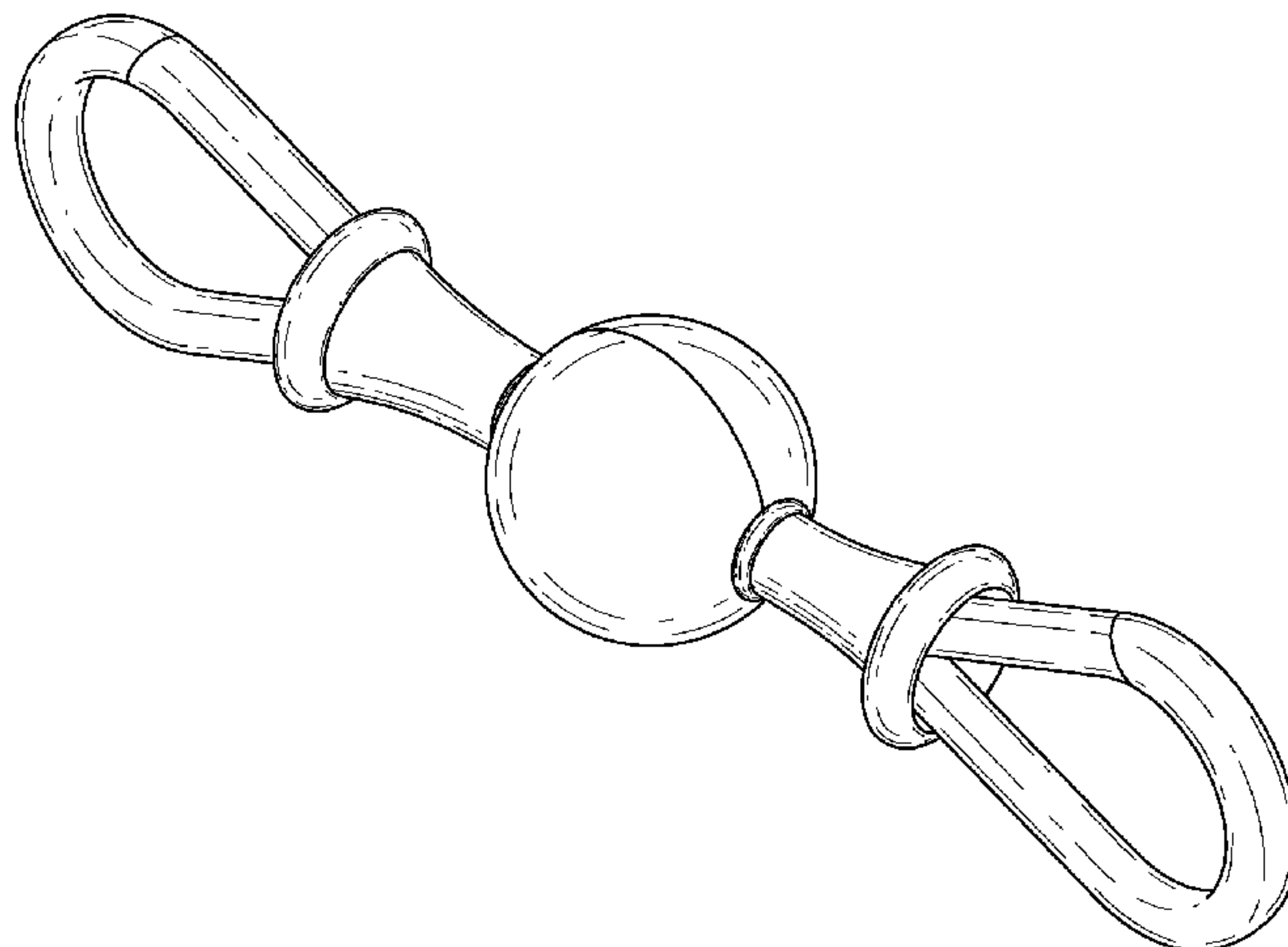
(57) **CLAIM**

The ornamental design for a jewelry fastener, as shown.

DESCRIPTION

FIG. 1 is a perspective view of a jewelry fastener configured in accordance with an embodiment of the present invention; FIG. 2 is a top plan view of the jewelry fastener of FIG. 1; FIG. 3 is a front elevational view of the jewelry fastener of FIG. 1; FIG. 4 is a rear elevational view of the jewelry fastener of FIG. 1; and, FIG. 5 is a side elevational view of the jewelry fastener of FIG. 1.

1 Claim, 2 Drawing Sheets



OTHER PUBLICATIONS

“Magnetic Clasp Converter, Silver Plated Magnetic Clasp Converter”, available at <http://www.pinkwindow.com/clasp031s.htm>, last accessed May 18, 2006.

“Magnetic Jewelry Converters”, available at http://www.bizrate.com/oid395508019_nwylf.html. last accessed May 18, 2006.
Jules Borel & Company. Findings Catalog, Clasps, pp. 88-95, 2000.
Side and top views of magnetic clasp, Unknown Source.

* cited by examiner

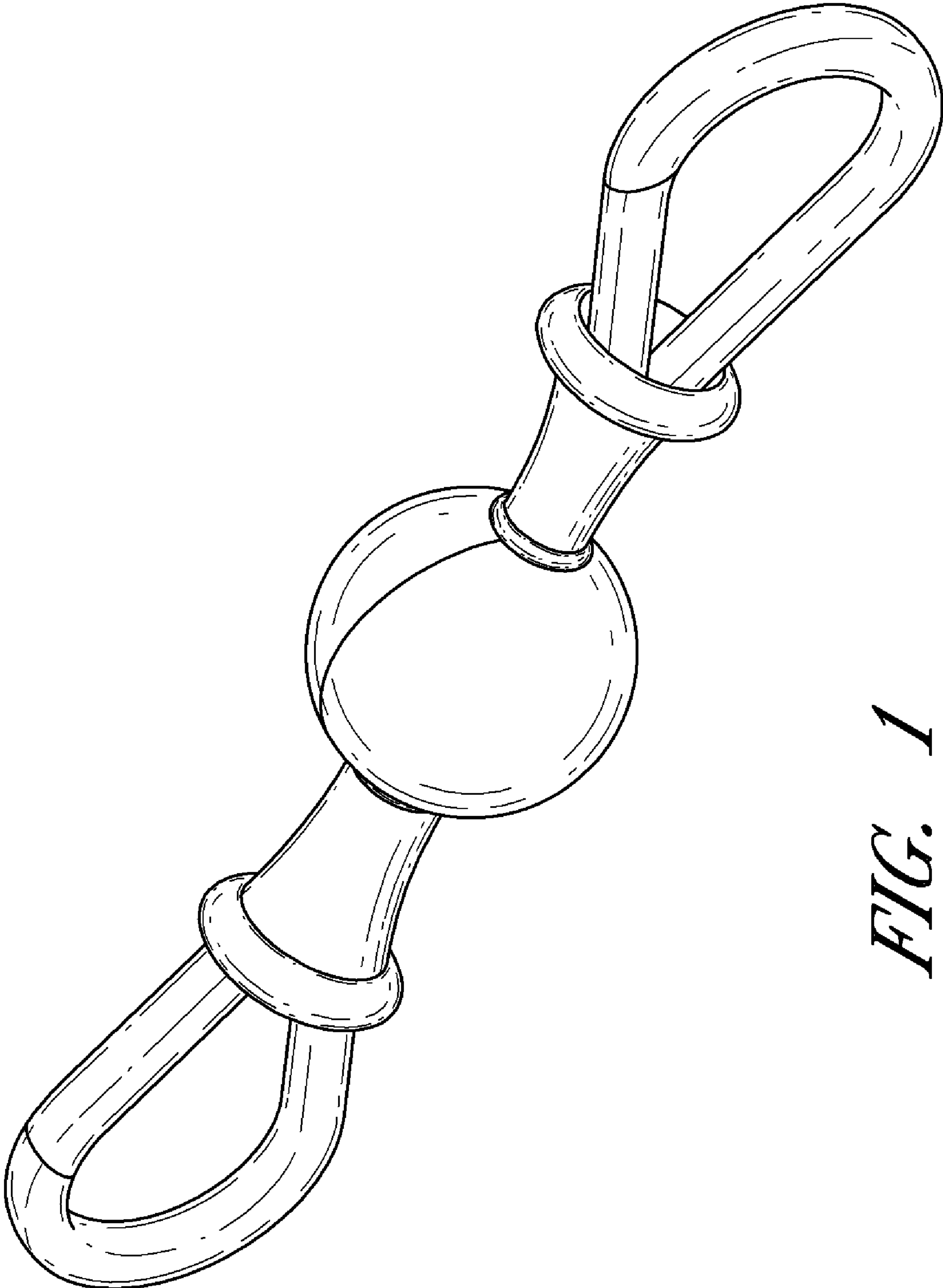


FIG. 1

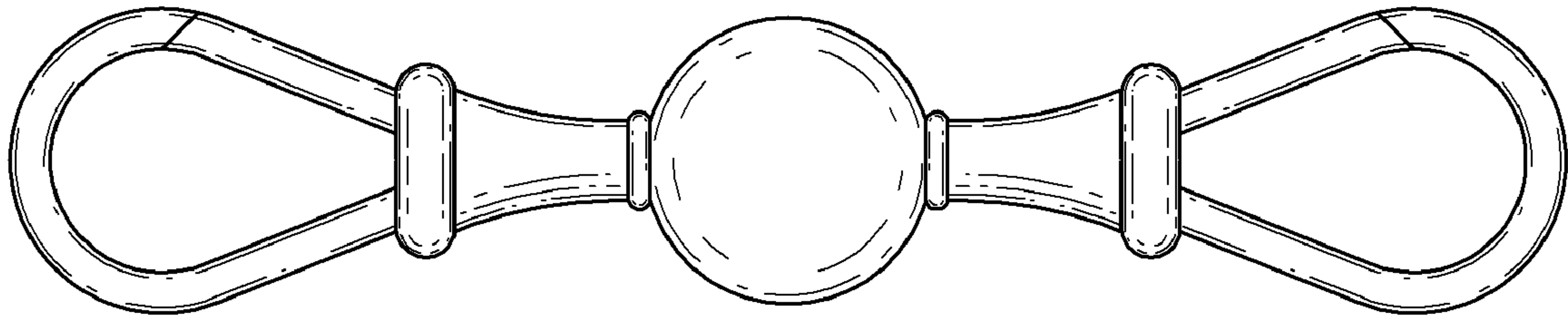


FIG. 2

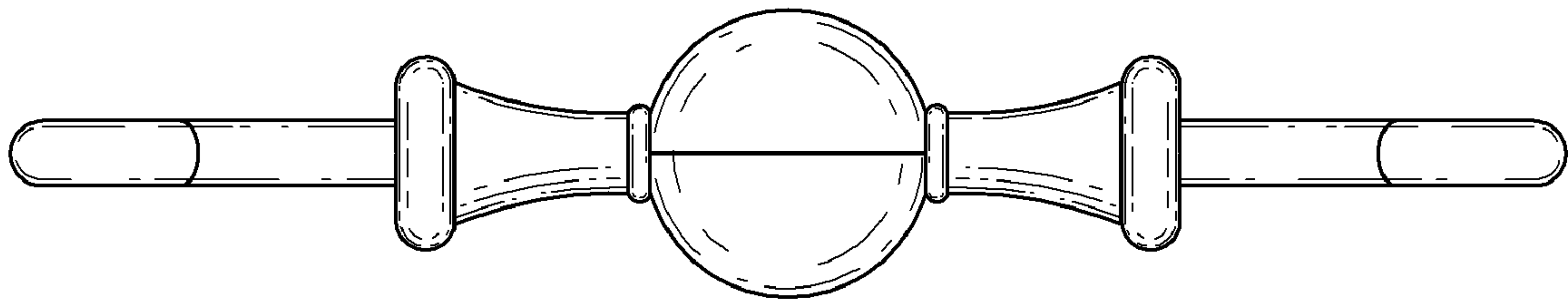


FIG. 3

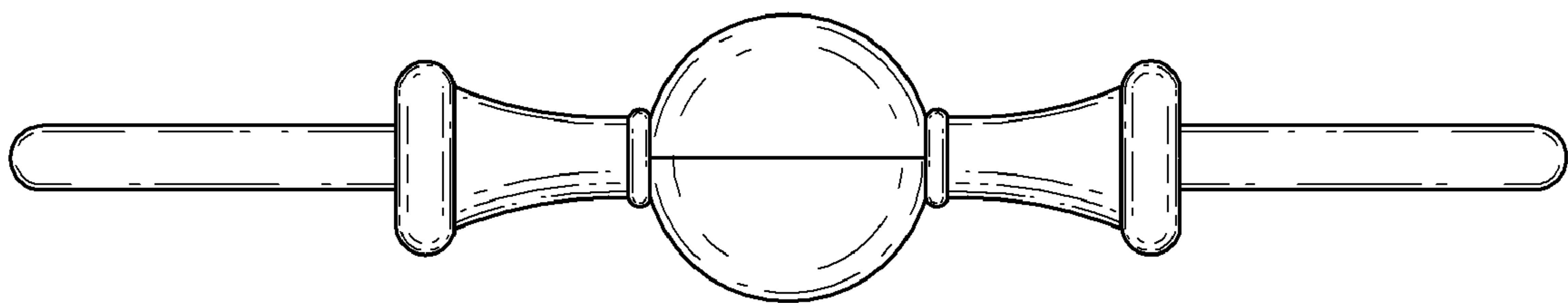


FIG. 4

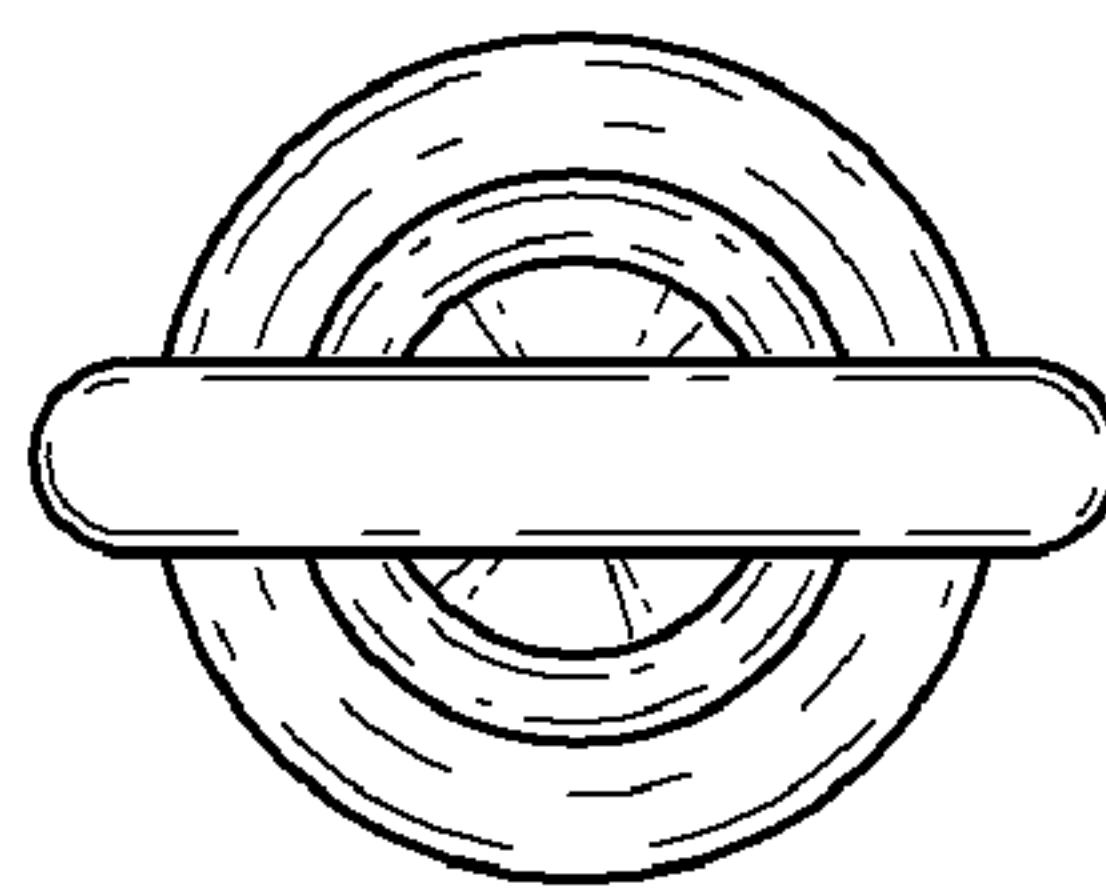


FIG. 5