



US00D601915S

(12) **United States Design Patent**
Heroux

(10) **Patent No.:** **US D601,915 S**

(45) **Date of Patent:** **** Oct. 13, 2009**

(54) **TWIST AND LOCK CLASP**

(75) Inventor: **Steve Heroux**, South Burlington, VT
(US)

(73) Assignee: **HIP Innovations, LLC**, Williston, VT
(US)

(**) Term: **14 Years**

(21) Appl. No.: **29/308,921**

(22) Filed: **Jul. 15, 2008**

(51) **LOC (9) Cl.** **11-01**

(52) **U.S. Cl.** **D11/87**

(58) **Field of Classification Search** D11/1-2,
D11/200-201, 203-206, 210, 212, 214-219,
D11/222, 224, 226; 24/163 R, 169-171,
24/173, 177-179, 191, 194-195, 197, 200
See application file for complete search history.

(56) **References Cited**

U.S. PATENT DOCUMENTS

3,129,477 A * 4/1964 Mizuno 24/303

D464,903 S * 10/2002 Kahan D11/87
D514,474 S * 2/2006 Neri D11/200
D561,636 S * 2/2008 Khubani et al. D11/87

* cited by examiner

Primary Examiner—R. Seifert

(57) **CLAIM**

The ornamental design for a twist and lock clasp, as shown and described.

DESCRIPTION

FIG. 1 is a closed perspective view thereof;

FIG. 2 is a closed front view thereof;

FIG. 3 is a closed top view thereof;

FIG. 4 is a closed side view thereof;

FIG. 5 is an open perspective right view thereof;

FIG. 6 is an open perspective left view thereof;

FIG. 7 is an open front view thereof; and,

FIG. 8 is an open top view thereof.

1 Claim, 8 Drawing Sheets

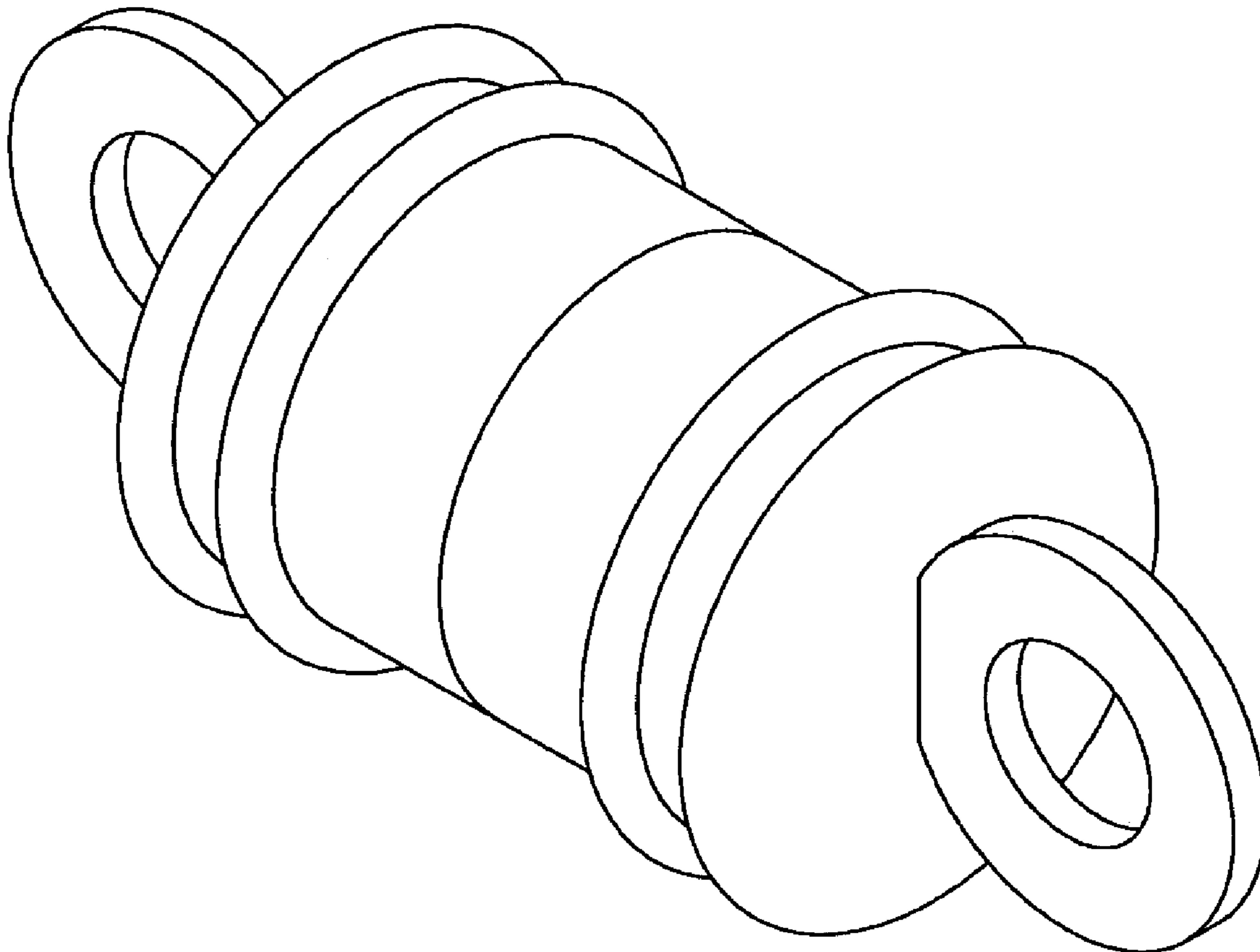


FIG. 1

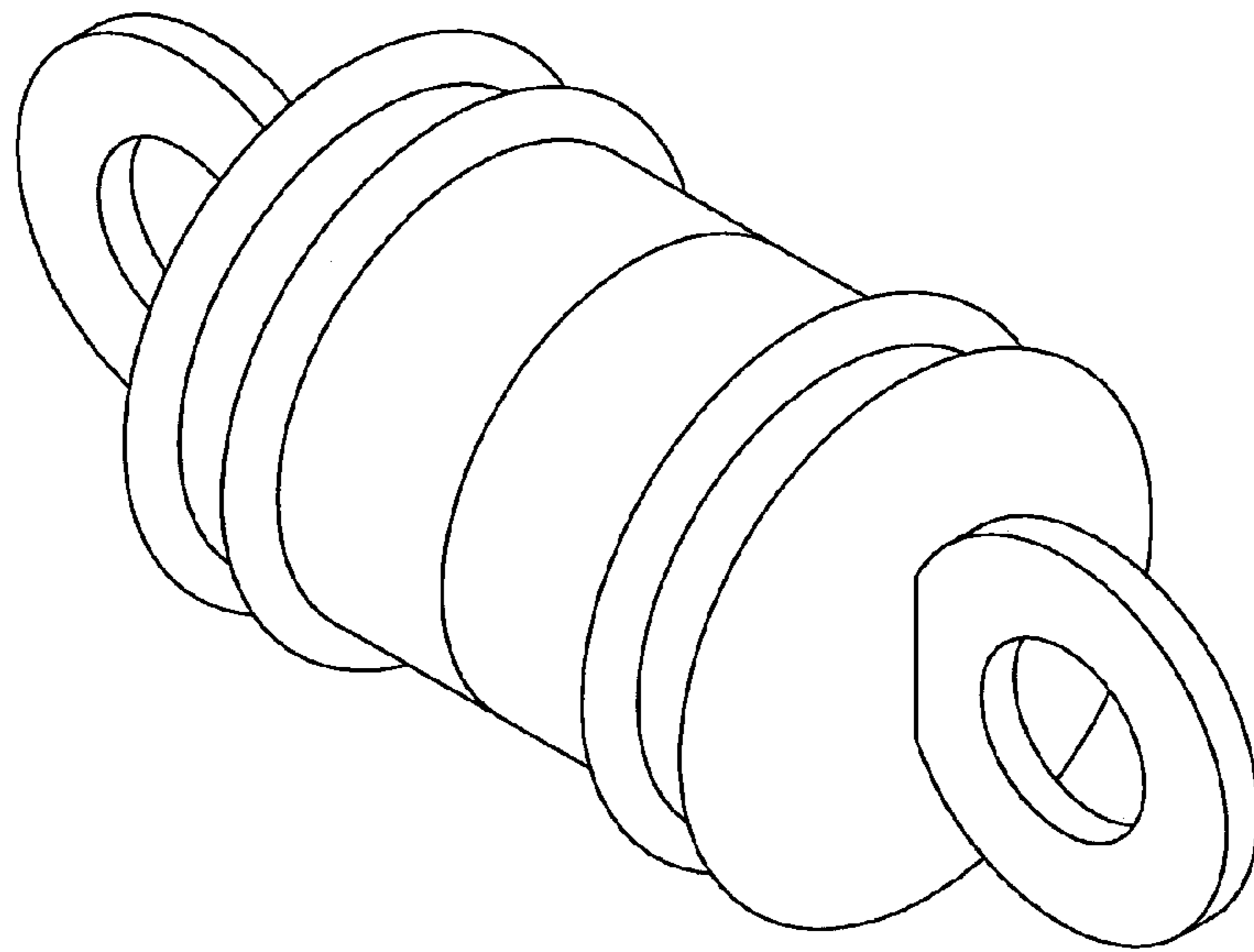


FIG. 2

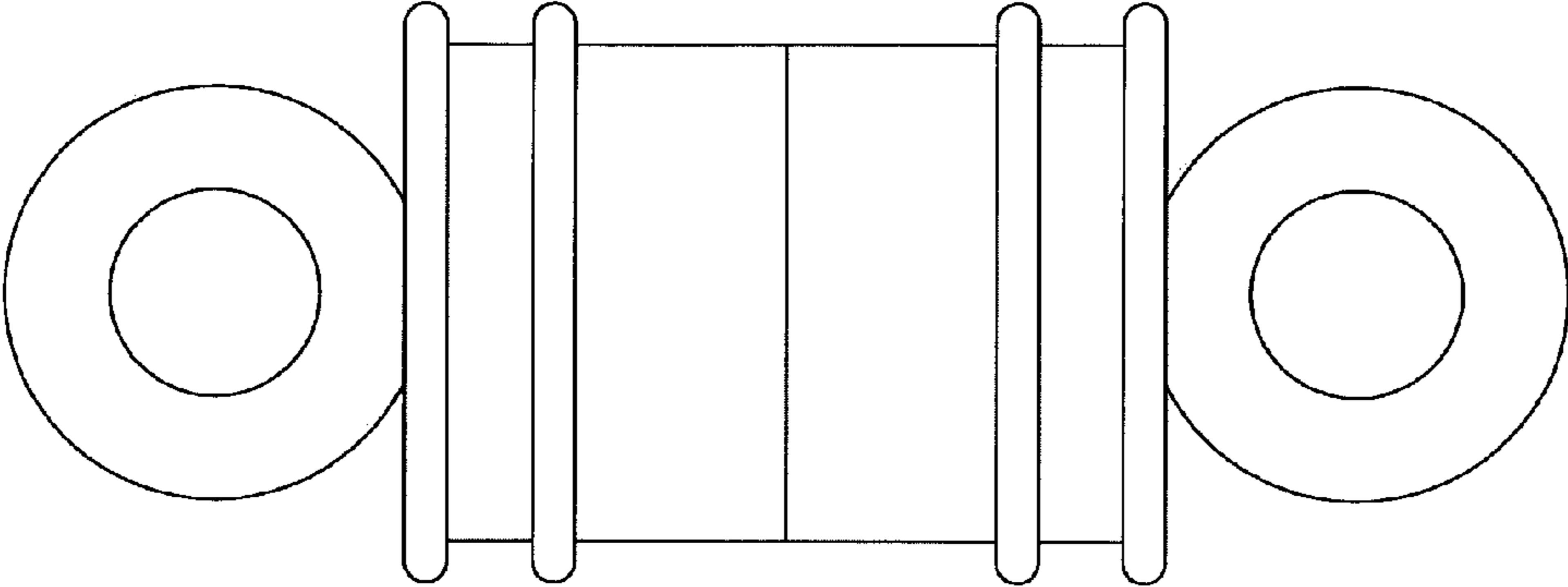


FIG. 3

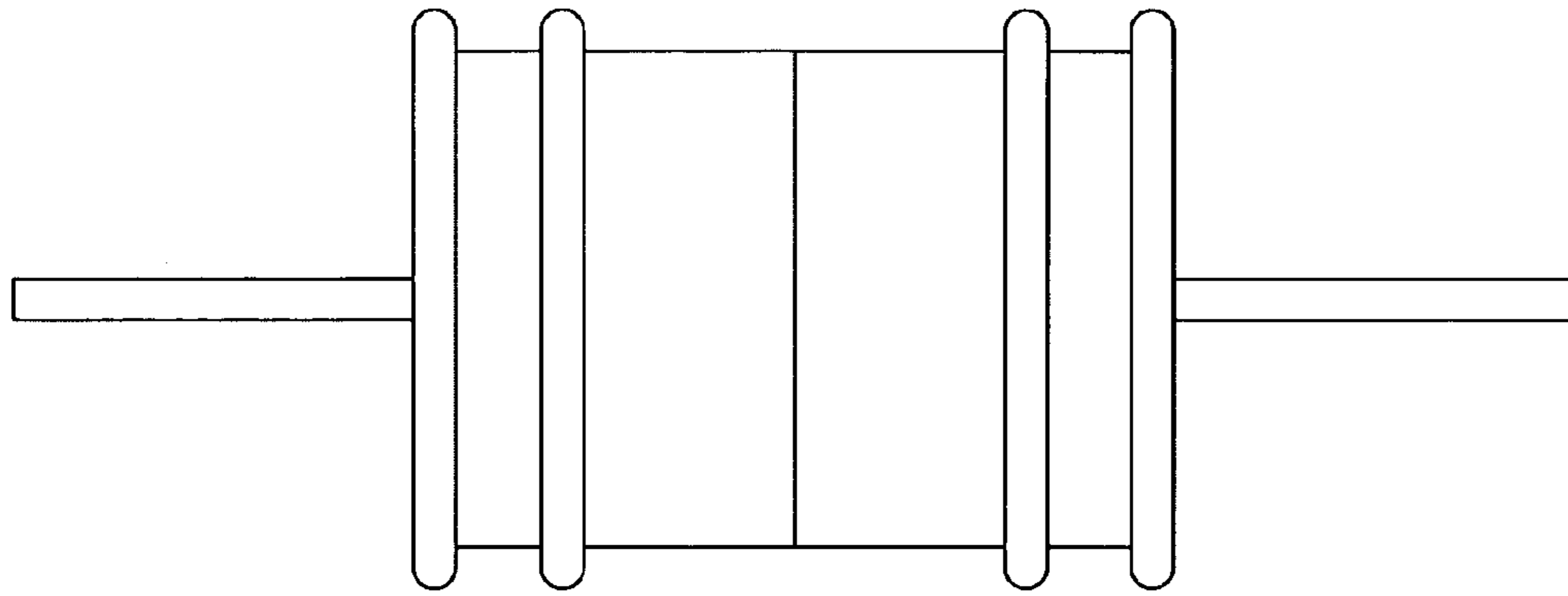


FIG. 4

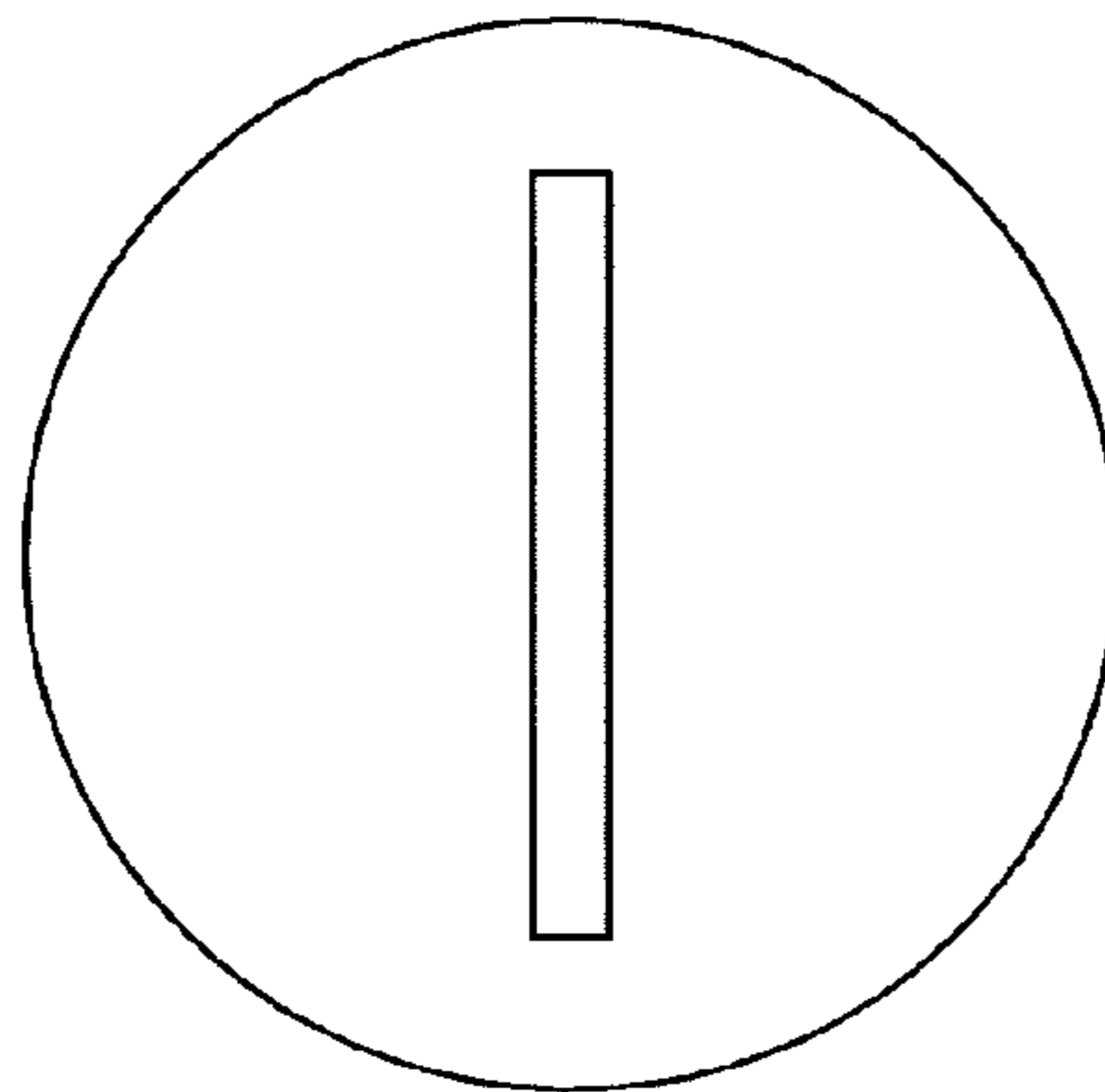


Fig 5

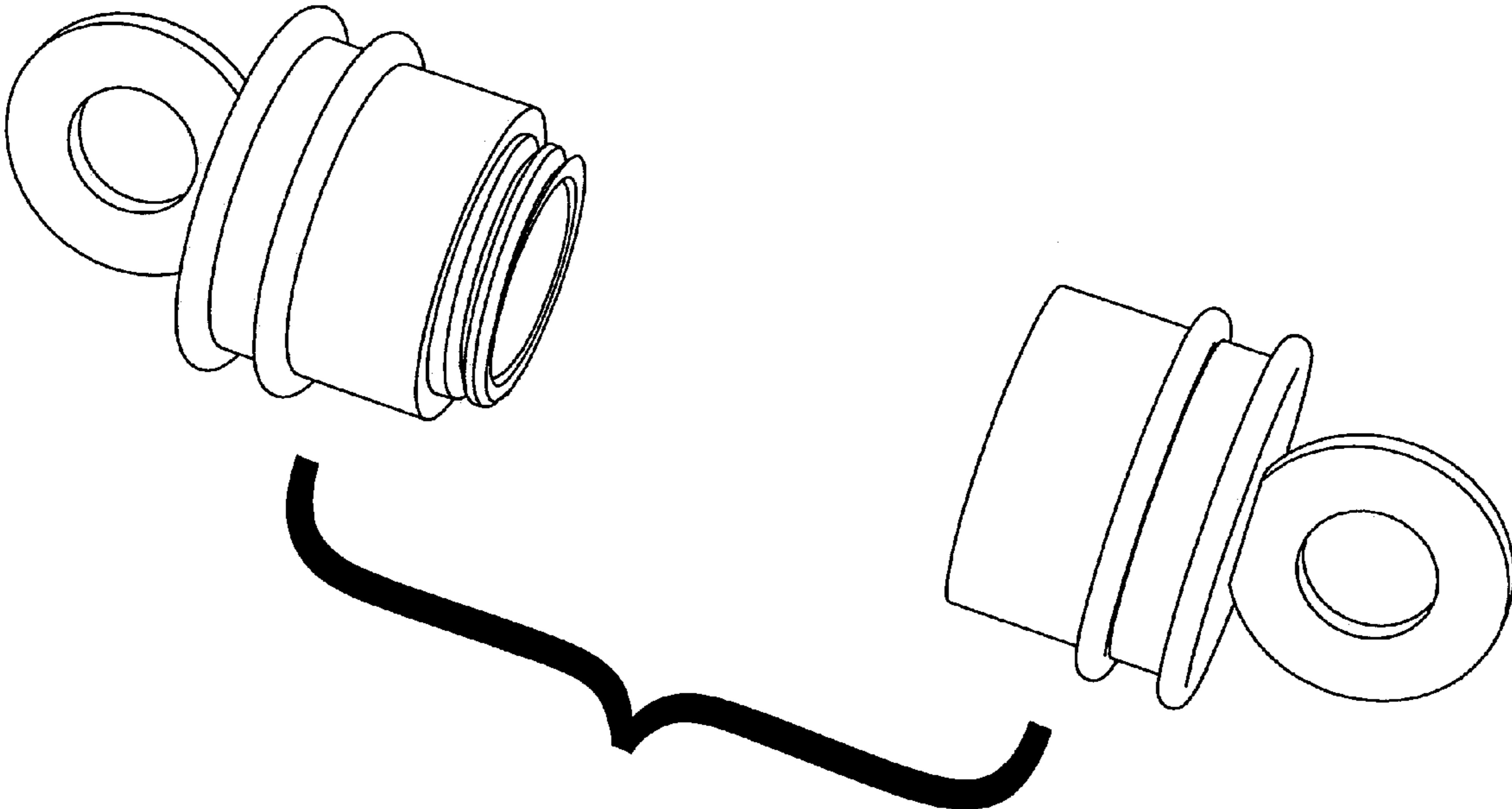


Fig 6

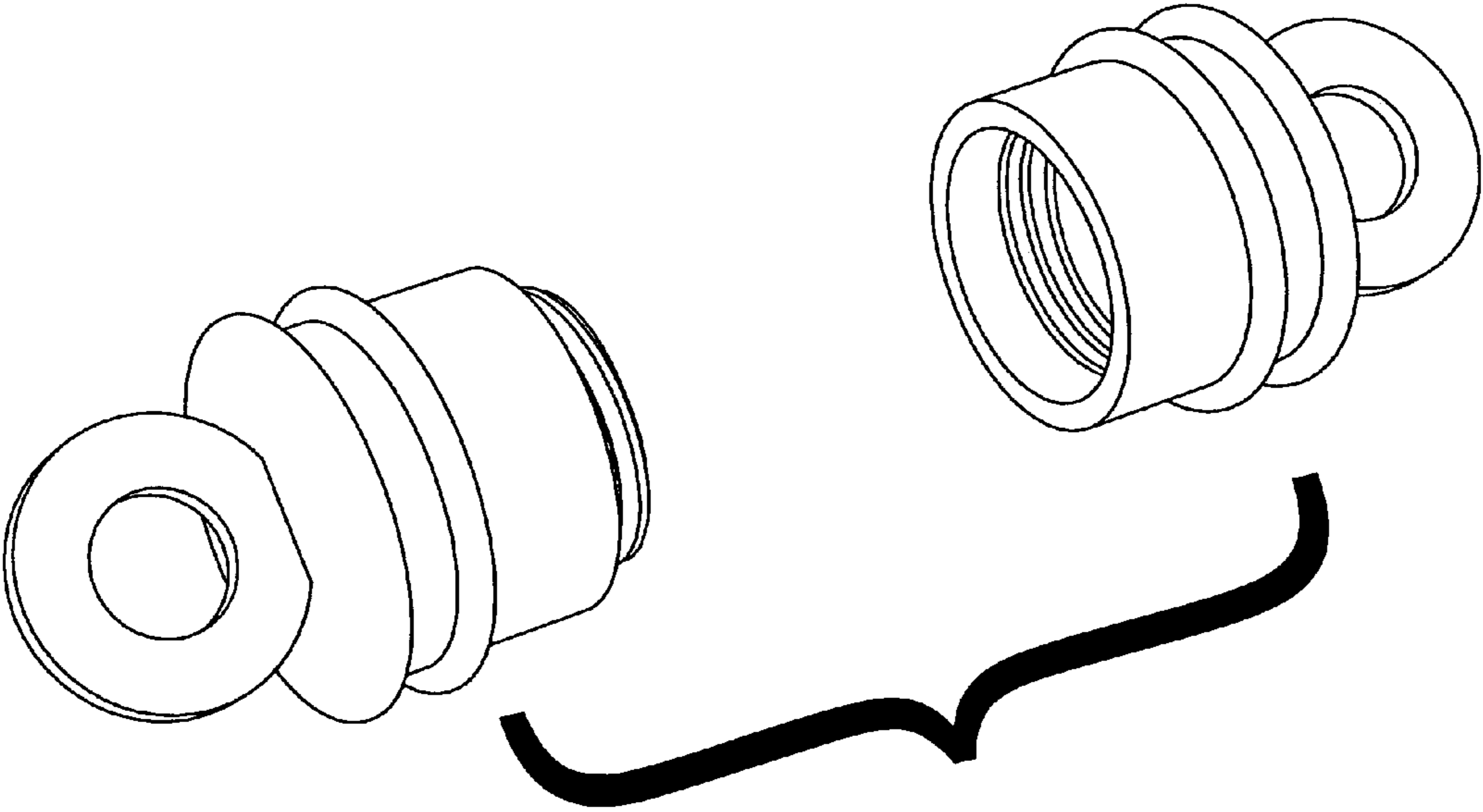


Fig 7

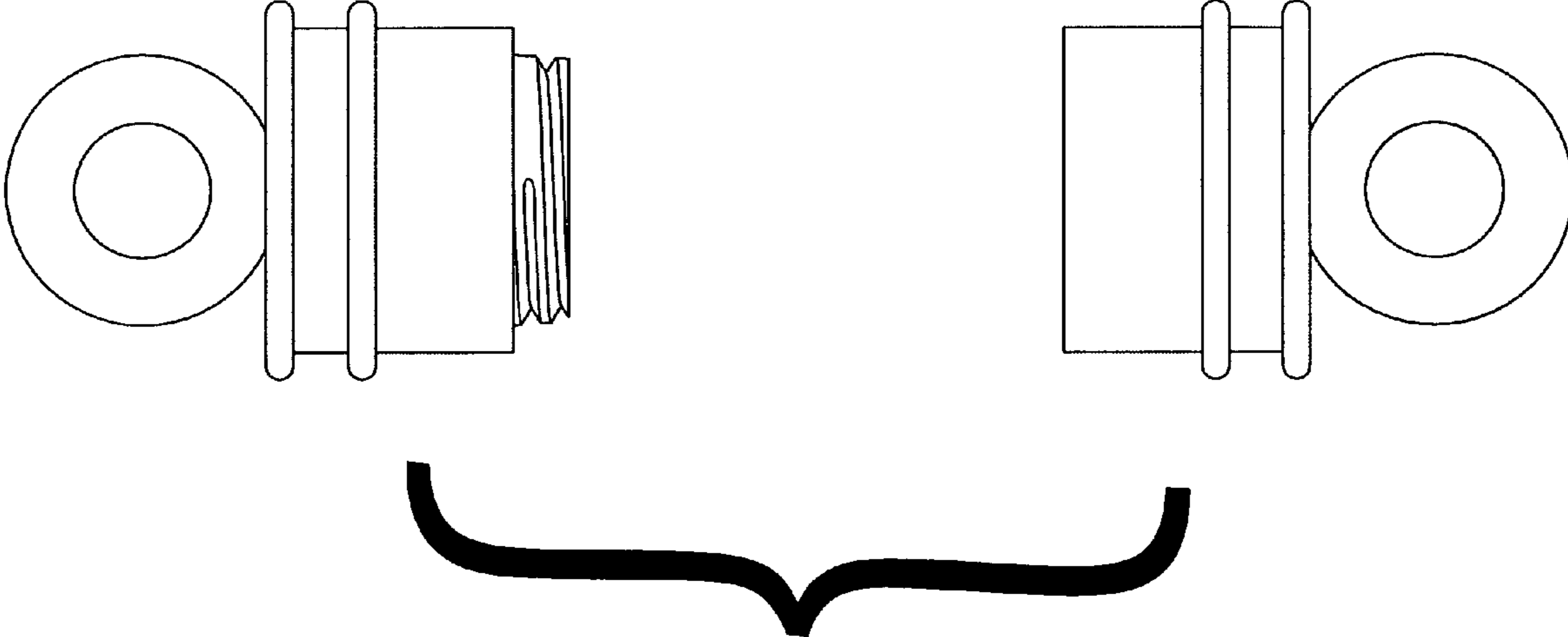


Fig 8

