

US00D601912S

(12) **United States Design Patent**
Gebauer et al.

(10) **Patent No.:** **US D601,912 S**
(45) **Date of Patent:** **** Oct. 13, 2009**

(54) **CHROMATOGRAPHY COLUMN**

(75) Inventors: **Klaus Gebauer**, Uppsala (SE); **Sven Wounder**, Uppsala (SE); **Stefan d'Argy**, Uppsala (SE); **Dan Hermansson**, Uppsala (SE); **Roger Lundqvist**, Uppsala (SE)

(73) Assignee: **GE Healthcare Bio-Sciences AB**, Uppsala (SE)

(**) Term: **14 Years**

(21) Appl. No.: **29/276,107**

(22) Filed: **Jan. 16, 2007**

(30) **Foreign Application Priority Data**

Jul. 19, 2006 (GB) 3025427

(51) **LOC (9) Cl.** **10-04**

(52) **U.S. Cl.** **D10/81**

(58) **Field of Classification Search** D10/81;
29/896.6; 73/61.53; 210/198.2; 422/70
See application file for complete search history.

(56) **References Cited**

U.S. PATENT DOCUMENTS

4,557,830 A * 12/1985 Onitsuka et al. 210/198.2
D320,949 S * 10/1991 Kopf D10/81
D417,408 S * 12/1999 Rigoli D10/81
D426,165 S * 6/2000 Tuvim et al. D10/81

D500,856 S * 1/2005 Hellstrom D10/81
7,534,346 B2 * 5/2009 Dunkley et al. 210/198.2
2007/0029241 A1 * 2/2007 Willis et al. 210/198.2
2008/0290016 A1 * 11/2008 Bailey et al. 210/198.2

* cited by examiner

Primary Examiner—Antoine D Davis

(74) *Attorney, Agent, or Firm*—Yonggang Ji

(57) **CLAIM**

The ornamental design for a chromatography column, as shown and described.

DESCRIPTION

FIG. 1 is a perspective view of the first embodiment of a chromatography column.

FIG. 2 is a front view of the chromatography column of FIG. 1

FIG. 3 is a back view of the chromatography column of FIG. 1.

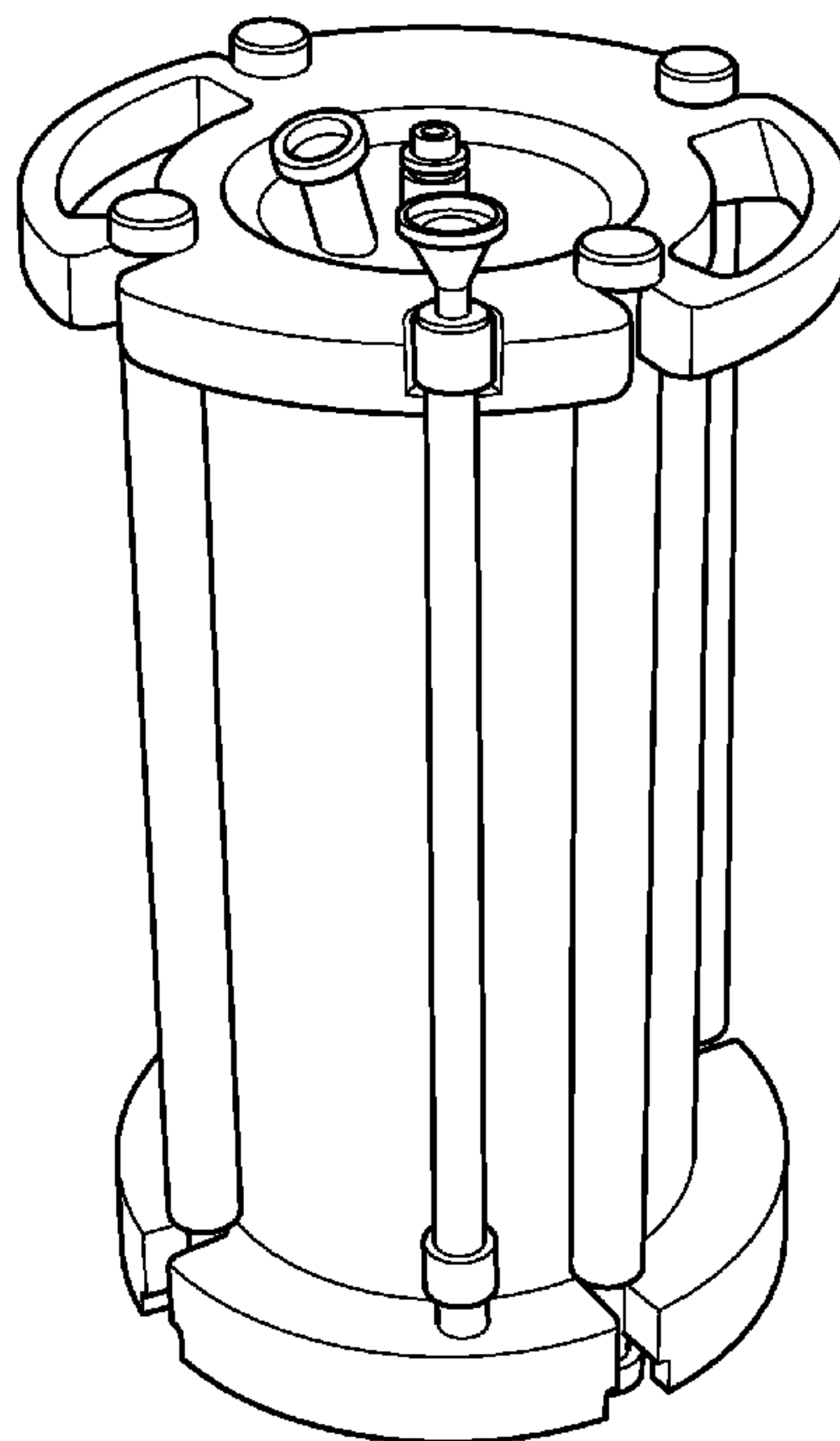
FIG. 4 is a left side view of the chromatography column of FIG. 1.

FIG. 5 is a right side view of the chromatography column of FIG. 1.

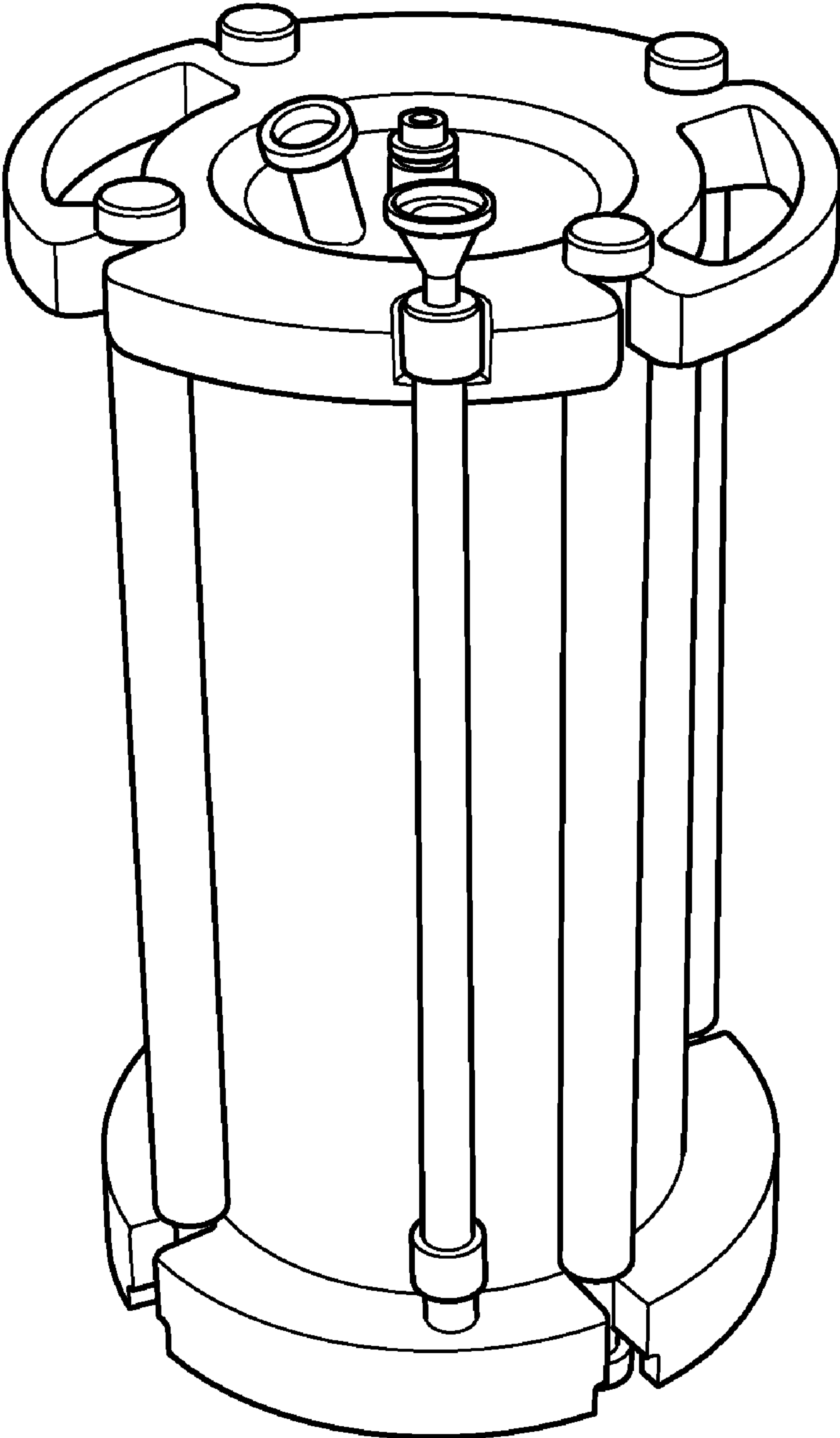
FIG. 6 is a top plan view of the chromatography column of FIG. 1; and,

FIG. 7 is a bottom plan view of the chromatography column of FIG. 1.

1 Claim, 7 Drawing Sheets

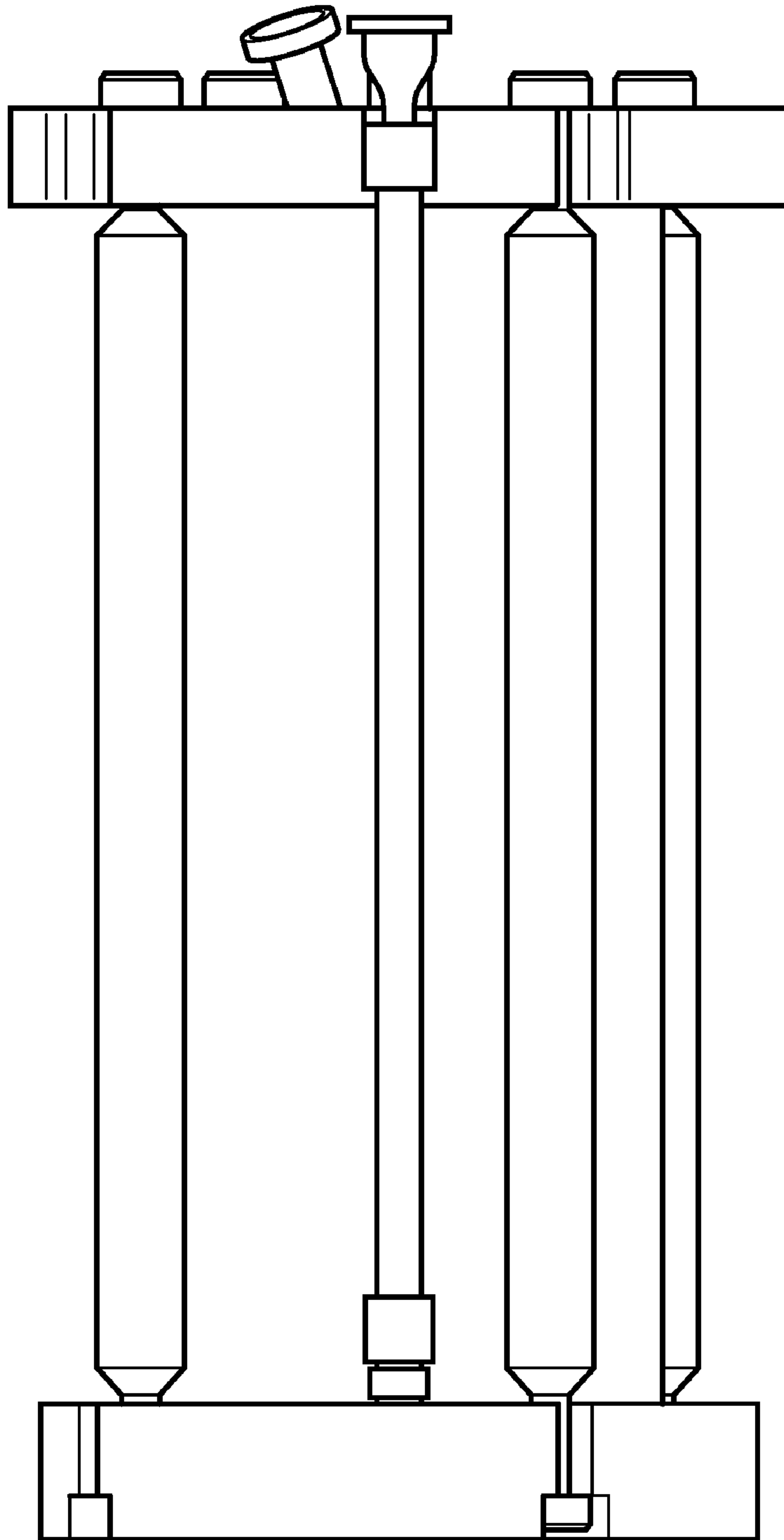


Perspective view from front



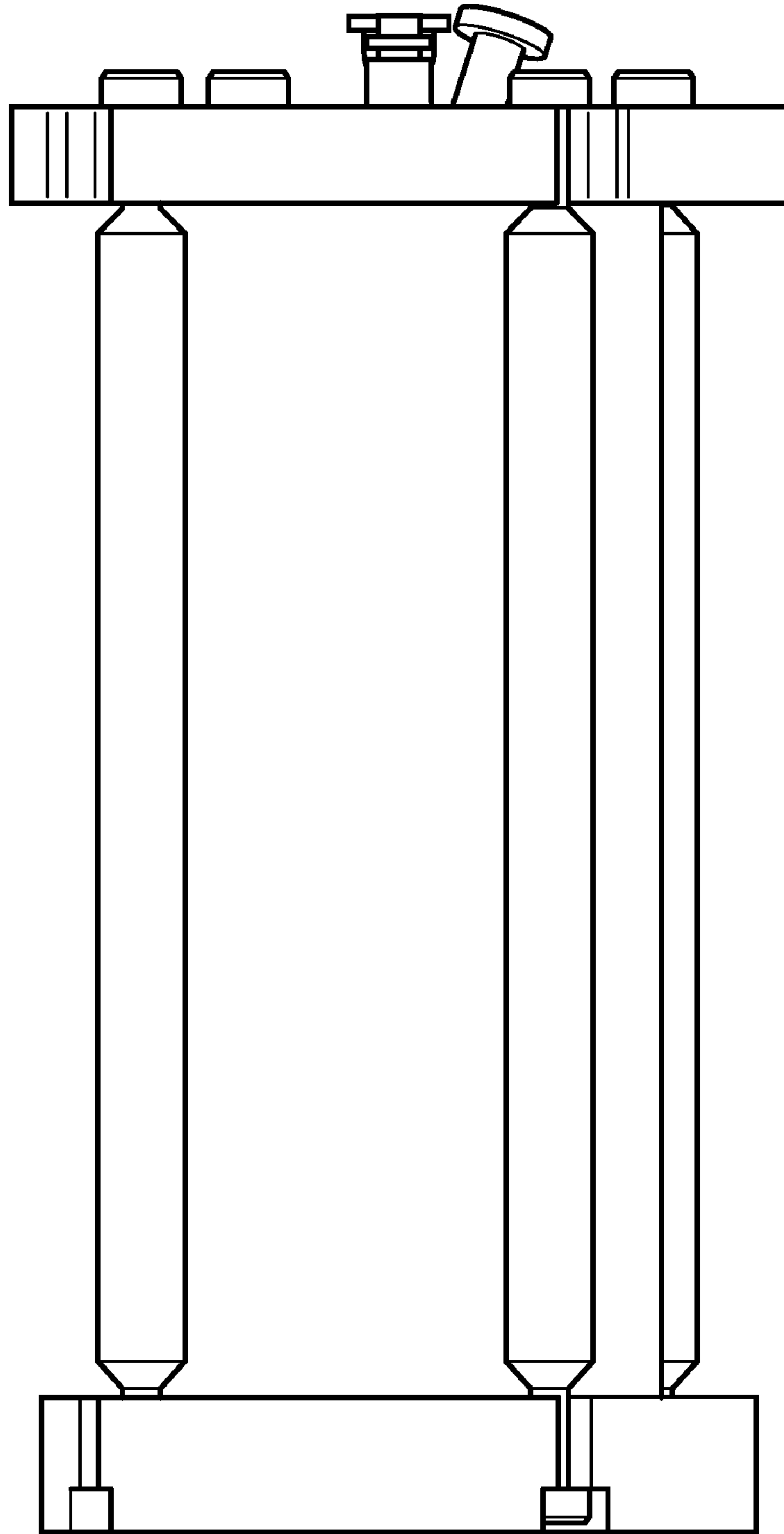
Perspective view from front

Figure 1



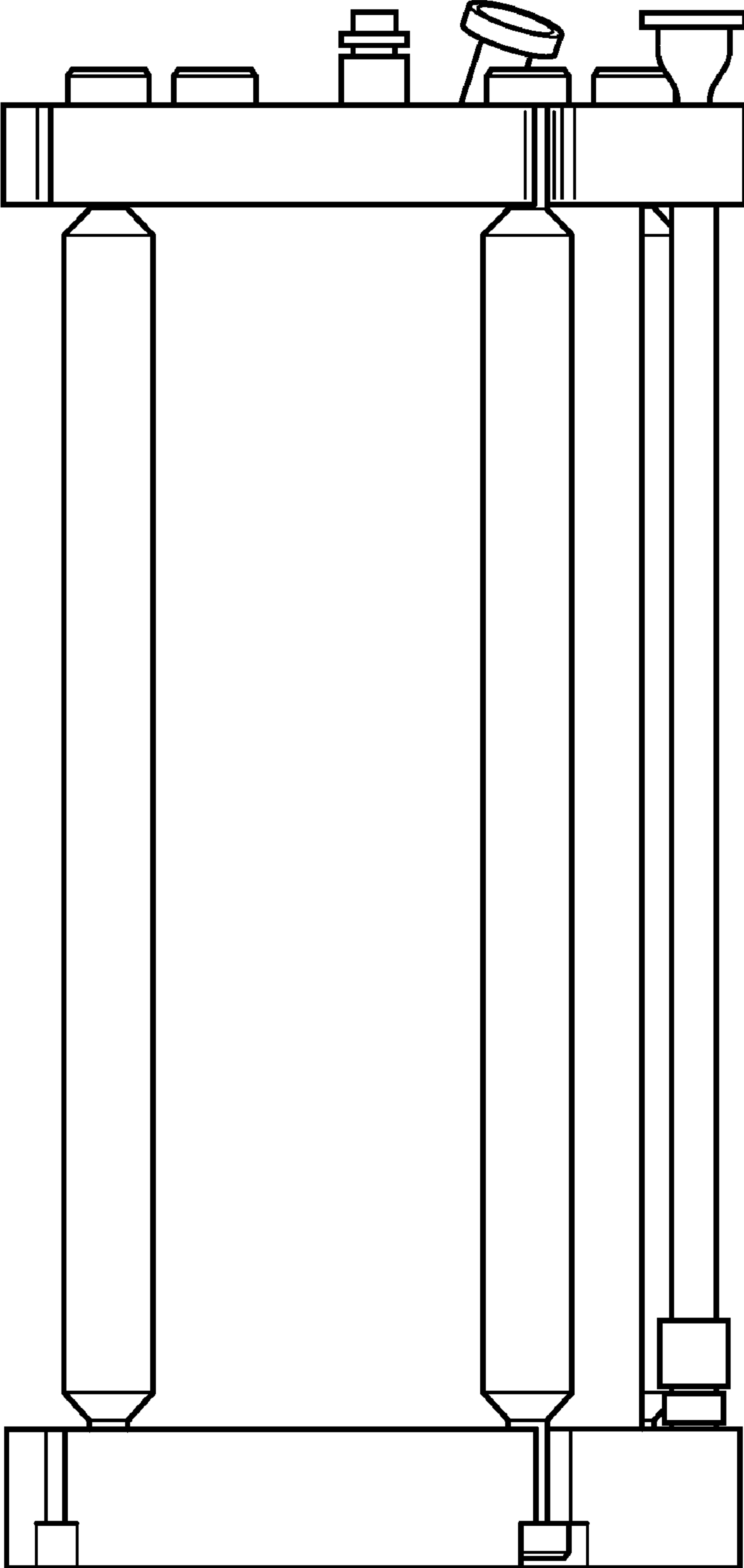
Front view

Figure 2



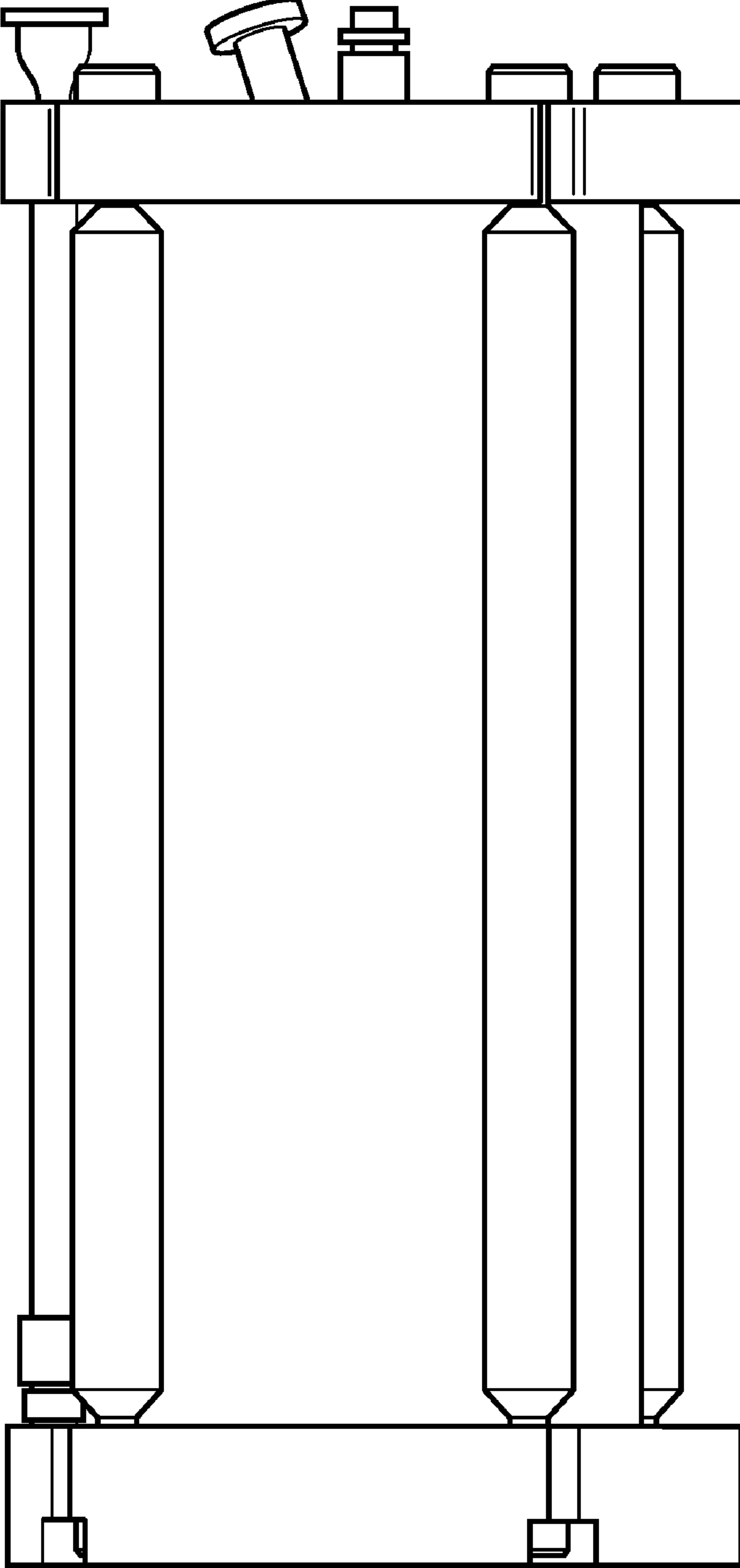
Back view

Figure 3



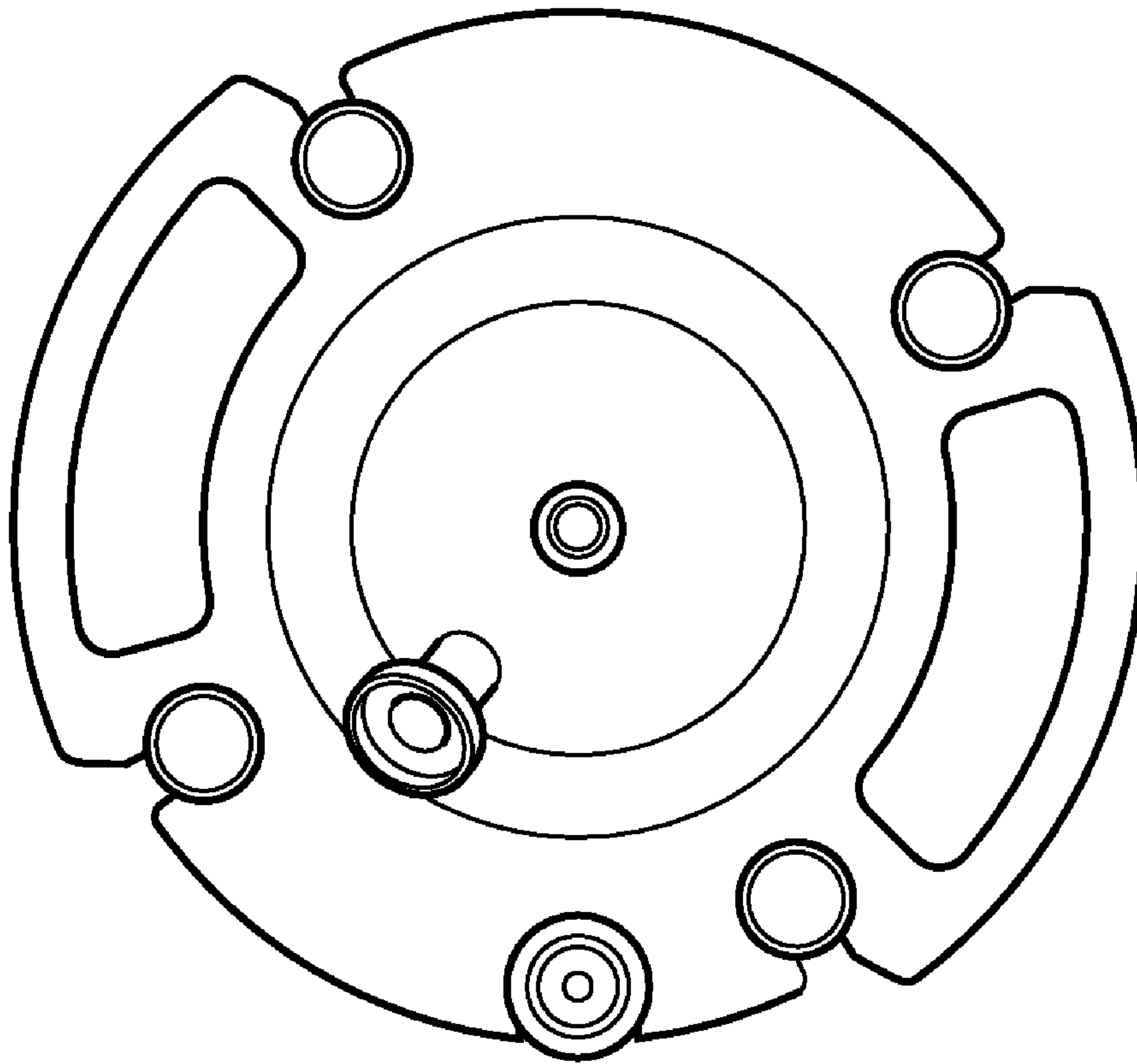
Left side view

Figure 4



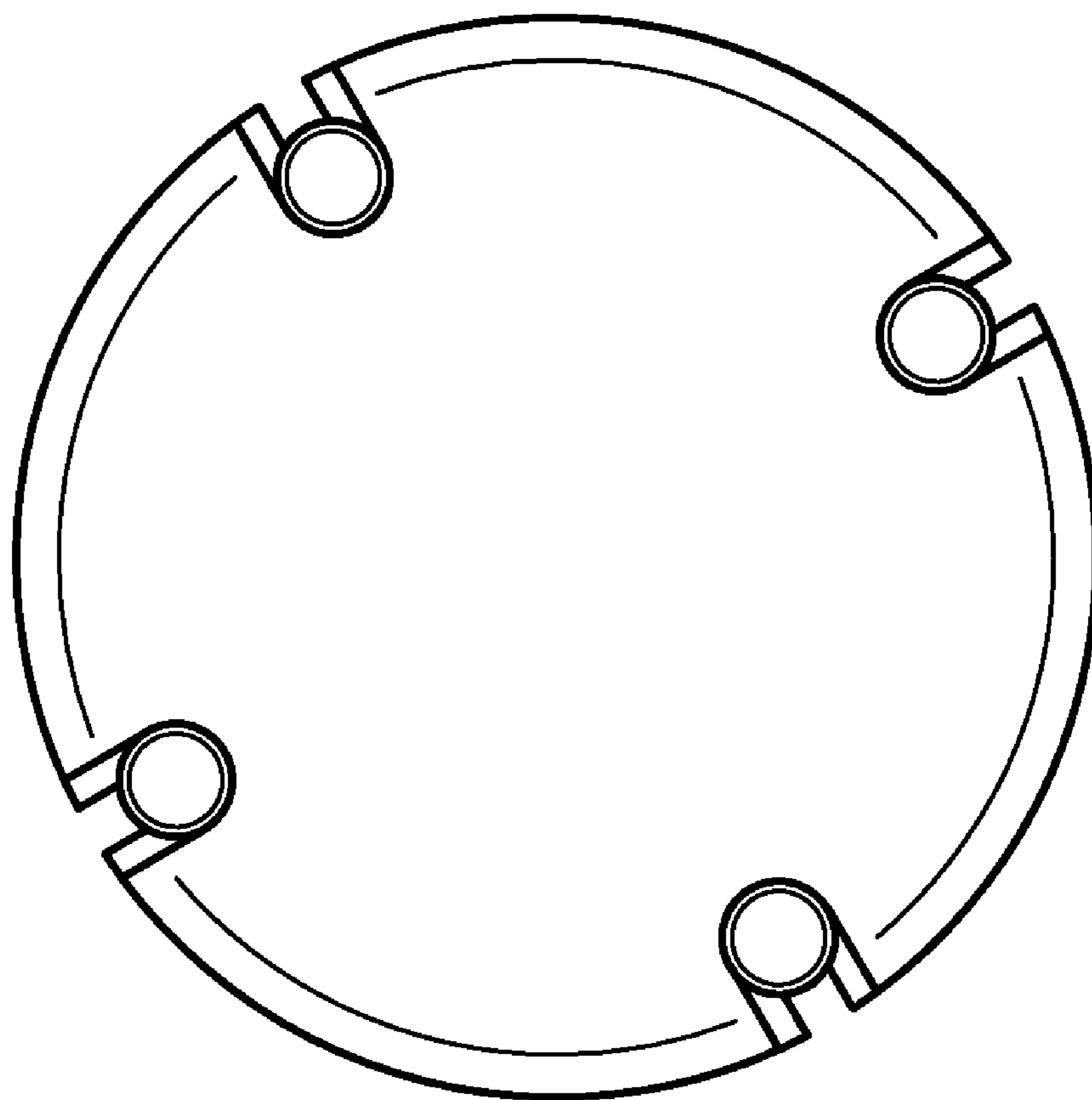
Right side view

Figure 5



Top plan view

Figure 6



Bottom plan view

Figure 7