



US00D601911S

(12) **United States Design Patent**  
**Moerman**

(10) **Patent No.:** **US D601,911 S**  
(45) **Date of Patent:** **\*\* Oct. 13, 2009**

(54) **CALOMETRIC WATTMETER**

(76) **Inventor:** **Paul G. Moerman**, P.O. Box 3053, San Luis Obispo, CA (US) 93403

(\*\*) **Term:** **14 Years**

(21) **Appl. No.:** **29/310,861**

(22) **Filed:** **Sep. 15, 2008**

(51) **LOC (9) Cl.** ..... **10-04**

(52) **U.S. Cl.** ..... **D10/57; D10/97**

(58) **Field of Classification Search** ..... **D10/57, D10/97; 374/32, E17.001; 324/95**  
See application file for complete search history.

(56) **References Cited**

**U.S. PATENT DOCUMENTS**

612,518 A	10/1898	Herbener
2,261,826 A	11/1941	Brown
2,408,198 A	9/1946	Coltman
2,451,724 A	10/1948	Evans
2,648,047 A	8/1953	Hollingsworth
2,846,647 A	8/1958	Macpherson
2,848,683 A	8/1958	Jones
2,866,950 A	12/1958	Smits
3,040,252 A	6/1962	Novak
3,670,570 A	6/1972	Briones
3,748,424 A	7/1973	Fitzmayer
4,529,855 A	7/1985	Fleck
4,656,325 A	4/1987	Keefer
4,740,763 A	4/1988	Wilhelm et al.

4,916,386 A	4/1990	Schulz
4,968,150 A	11/1990	Mathews et al.
5,015,943 A	5/1991	Mako et al.
5,318,515 A	6/1994	Wilk
D391,502 S *	3/1998	Moerman ..... D10/75
5,749,654 A	5/1998	Gibson, Jr.
5,779,362 A	7/1998	Lightfoot
6,017,147 A	1/2000	Gibson, Jr.
2006/0070669 A1	4/2006	Mabry

**FOREIGN PATENT DOCUMENTS**

GB 1009163 11/1965

\* cited by examiner

*Primary Examiner*—Antoine D Davis  
(74) *Attorney, Agent, or Firm*—Stetina Brunda Garred & Brucker

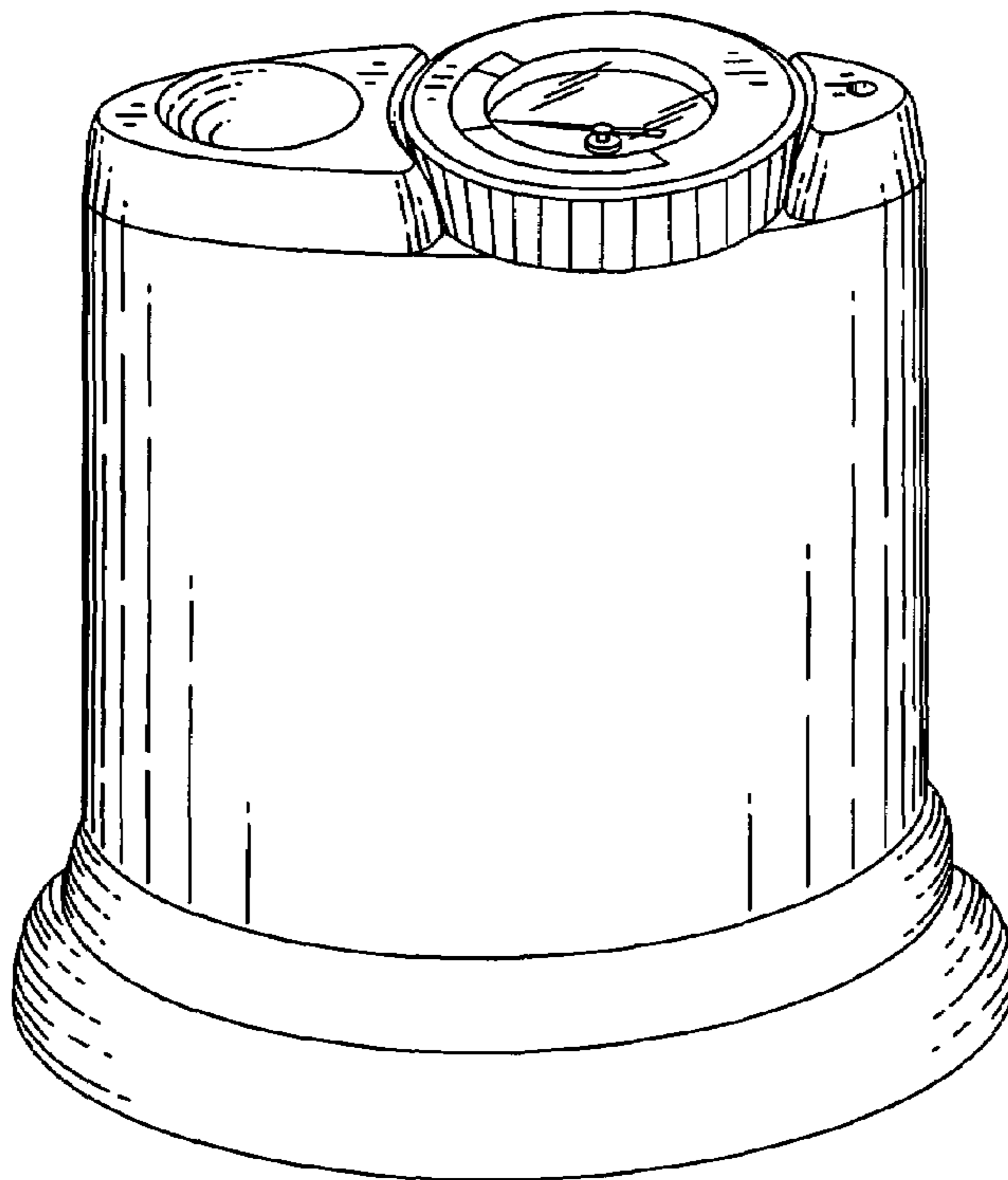
(57) **CLAIM**

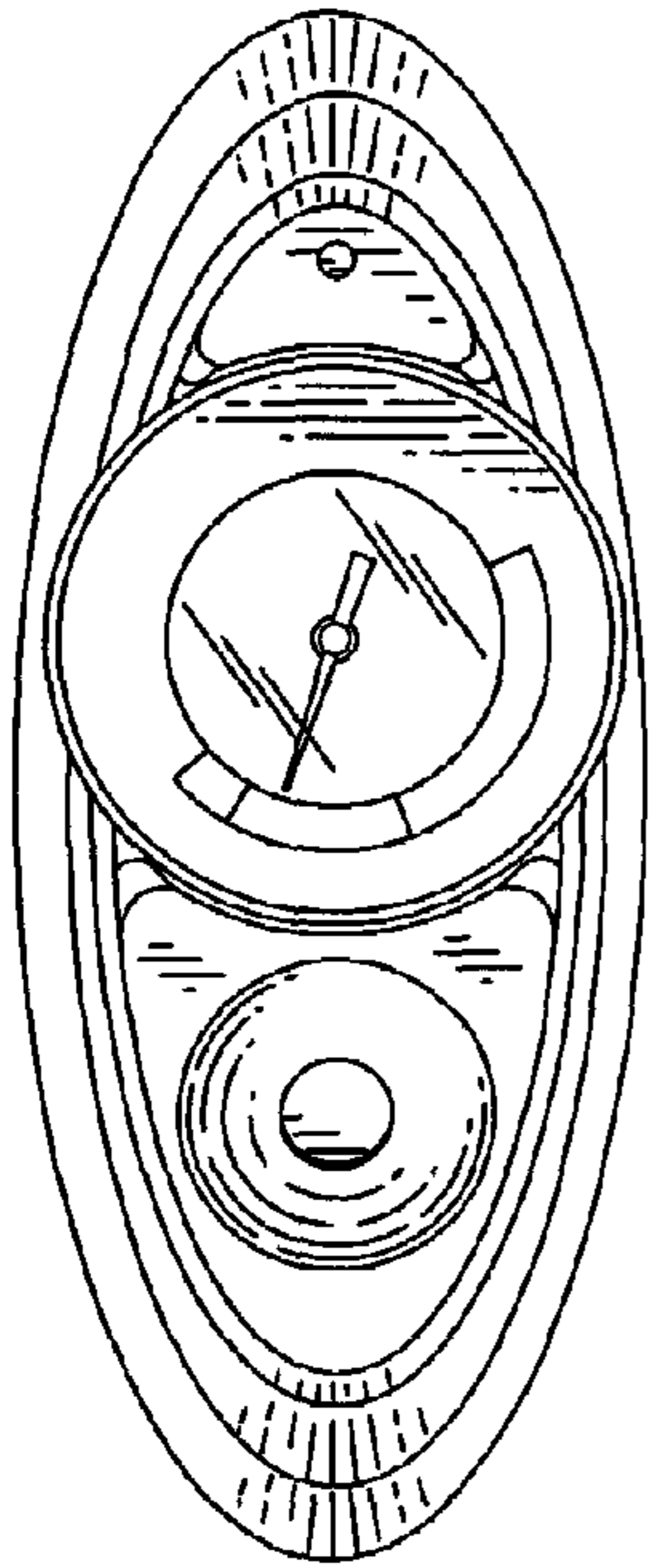
The ornamental design for a calometric wattmeter, as shown and described.

**DESCRIPTION**

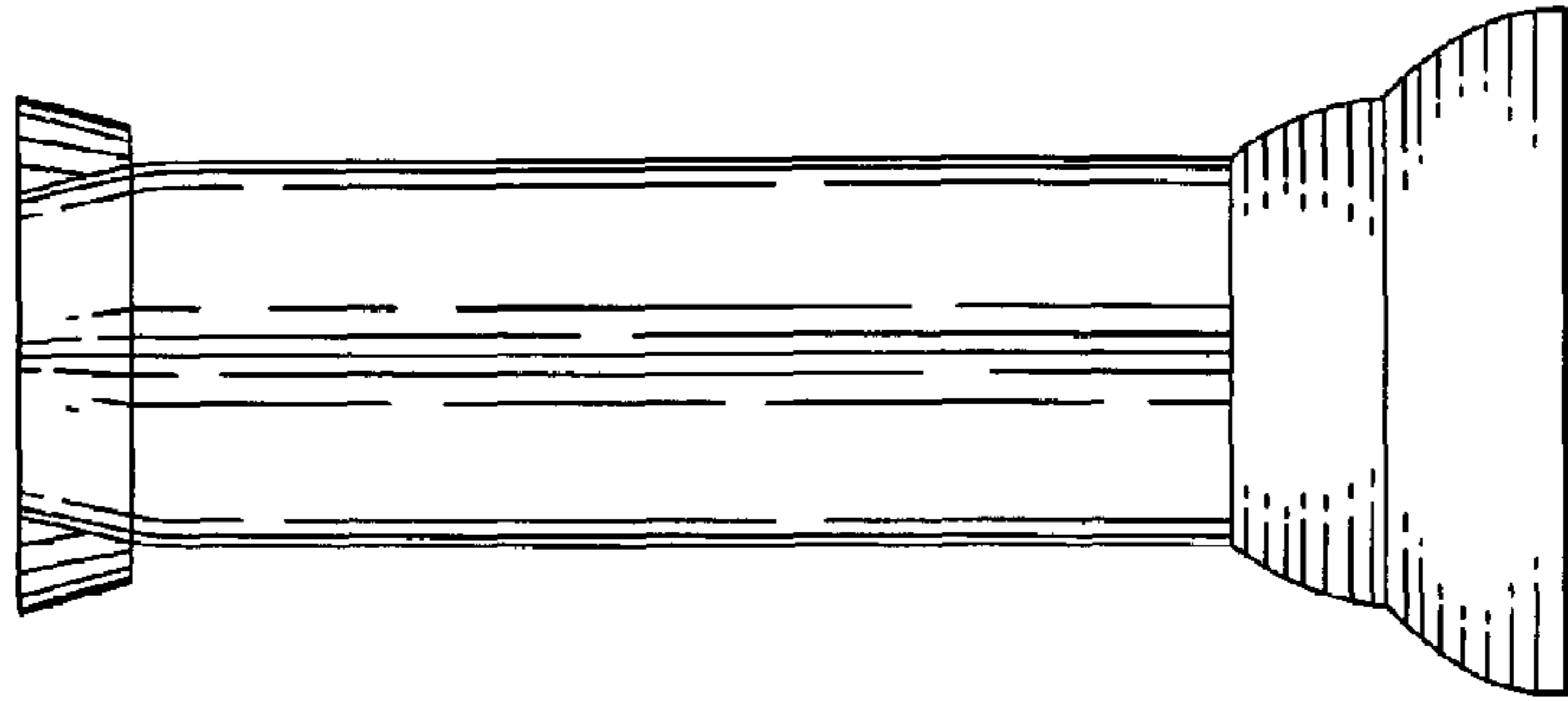
FIG. 1 is a perspective view of the calometric wattmeter of the present invention showing my new design;  
FIG. 2 is a top plan view thereof;  
FIG. 3 is a front elevational view thereof with the rear elevational view being a mere image thereof; and,  
FIG. 4 is a side elevational view thereof.

**1 Claim, 1 Drawing Sheet**

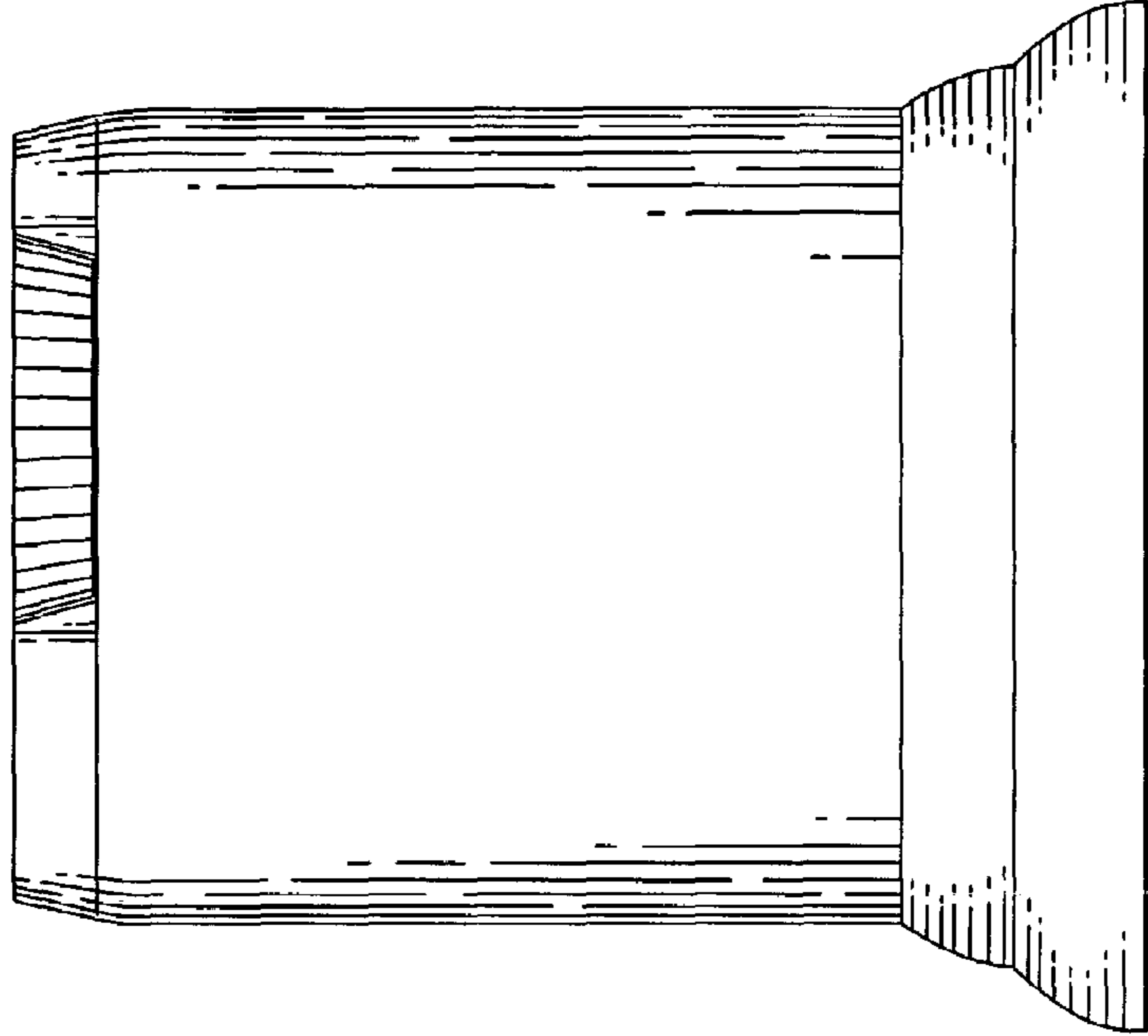




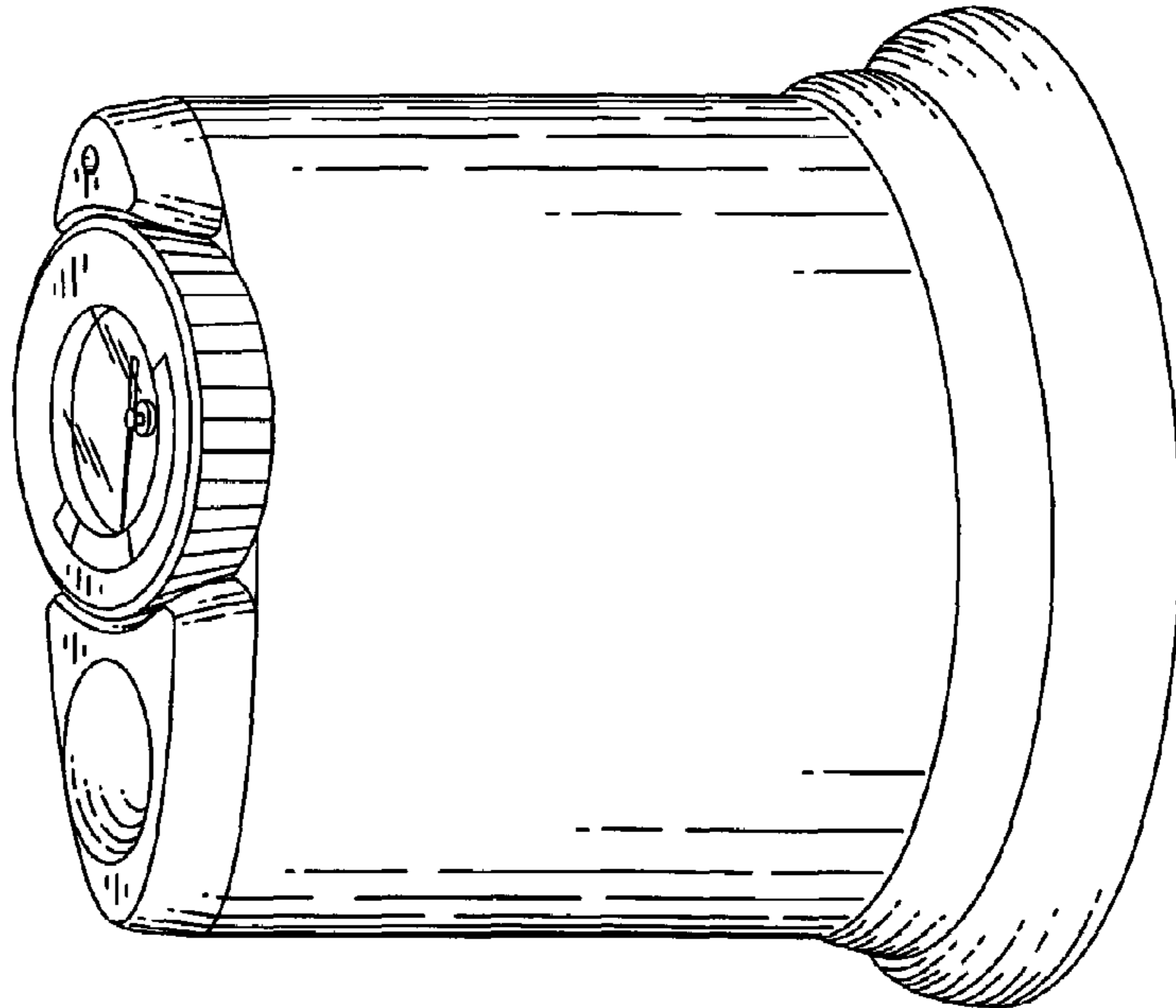
*Fig. 2*



*Fig. 4*



*Fig. 3*



*Fig. 1*