



US00D601905S

(12) **United States Design Patent**  
**Bourne**

(10) **Patent No.:** **US D601,905 S**  
(45) **Date of Patent:** **\*\* Oct. 13, 2009**

(54) **BOTTLE**

(75) Inventor: **Damien Bourne**, Le Havre Cedex (FR)

(73) Assignee: **Sidel Participations**, Octeville sur Mer (FR)

(\*\*) Term: **14 Years**

(21) Appl. No.: **29/290,214**

(22) Filed: **Nov. 5, 2007**

(30) **Foreign Application Priority Data**

Jun. 25, 2007 (EM) ..... 000746110

(51) **LOC (9) Cl.** ..... **09-01**

(52) **U.S. Cl.** ..... **D9/556; D9/557; D9/571**

(58) **Field of Classification Search** ..... D9/502,  
D9/516, 690-692, 537-540, 549, 552, 556-557,  
D9/565, 571, 574-575, 772-776; 215/382-384;  
220/660, 669, 675; D24/197  
See application file for complete search history.

(56) **References Cited**

**U.S. PATENT DOCUMENTS**

- D86,033 S \* 1/1932 Laliqne ..... D9/546
- 5,988,417 A \* 11/1999 Cheng et al. .... 215/383
- D425,424 S \* 5/2000 Cheng et al. .... D9/556 X
- D463,284 S \* 9/2002 Poisson et al. .... D9/549 X
- D463,292 S \* 9/2002 Del Bianco ..... D9/565 X
- D499,650 S \* 12/2004 Crawford et al. .... D9/502
- D550,088 S \* 9/2007 Lepoitevin ..... D9/552 X
- D552,477 S \* 10/2007 Hermel ..... D9/538

- D556,048 S \* 11/2007 Lepoitevin ..... D9/551
- D559,112 S \* 1/2008 Hyde et al. .... D9/538
- D561,596 S \* 2/2008 Hyde et al. .... D9/538
- D564,358 S \* 3/2008 Lepoitevin ..... D9/557 X
- D571,667 S \* 6/2008 Bourne ..... D9/539
- D572,135 S \* 7/2008 Lepoitevin ..... D9/502
- D574,718 S \* 8/2008 Lepoitevin ..... D9/539 X
- D580,772 S \* 11/2008 Lepoitevin ..... D9/561
- D582,287 S \* 12/2008 Lovelace et al. .... D9/538
- D582,288 S \* 12/2008 Lovelace et al. .... D9/538
- D586,224 S \* 2/2009 Darr et al. .... D9/538

\* cited by examiner

*Primary Examiner*—Carol Rademaker

(74) *Attorney, Agent, or Firm*—McKenna Long & Aldridge LLP

(57) **CLAIM**

The ornamental design for a bottle, as shown and described.

**DESCRIPTION**

FIG. 1 is a top, front, and right side perspective view of the bottle of the present invention;

FIG. 2 is a bottom, front, and right side perspective view thereof;

FIG. 3 is a right side elevational view thereof;

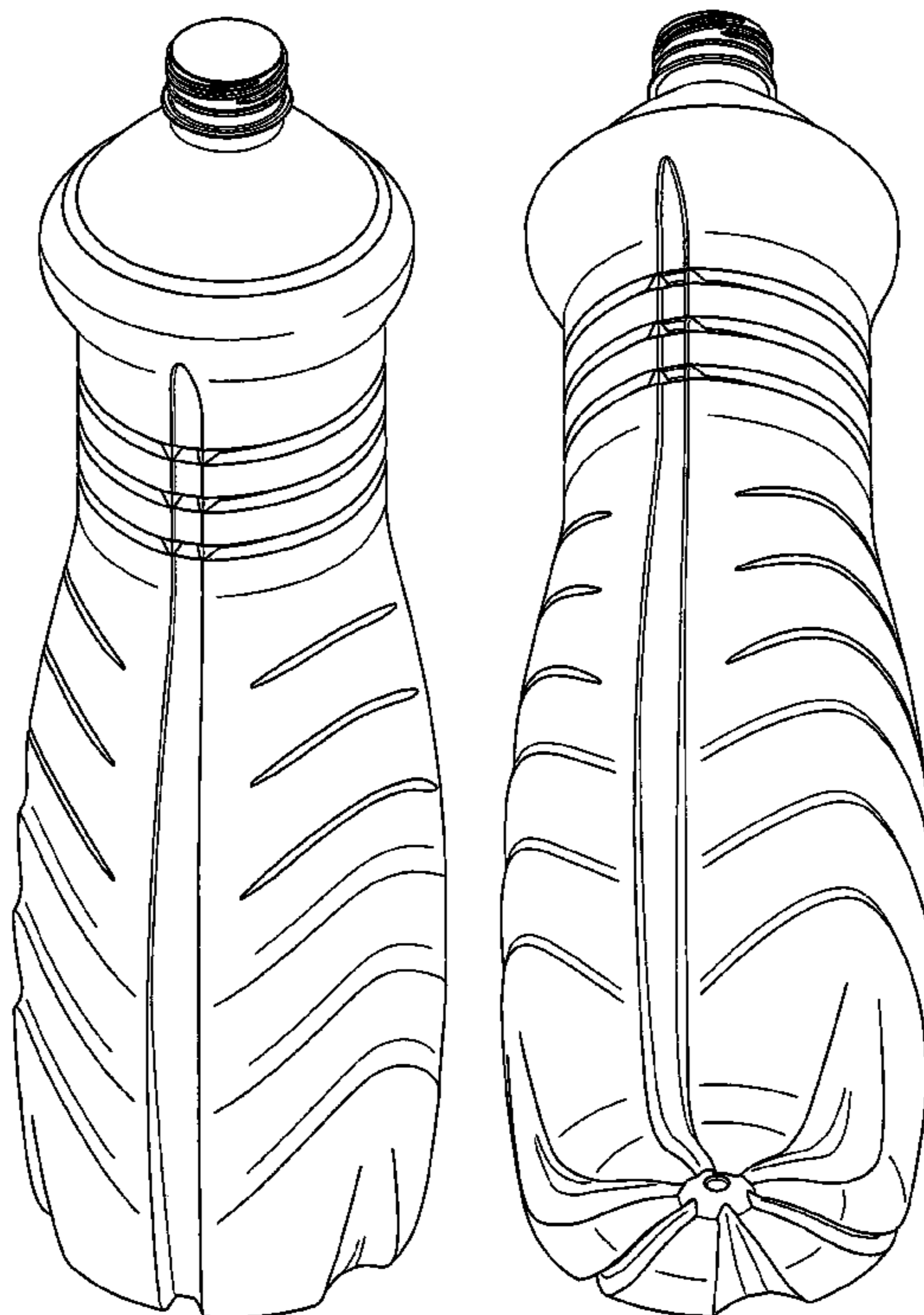
FIG. 4 is a front elevational view thereof;

FIG. 5 is a left side elevational view thereof;

FIG. 6 is a top plan view thereof; and,

FIG. 7 is a bottom plan view thereof.

**1 Claim, 7 Drawing Sheets**



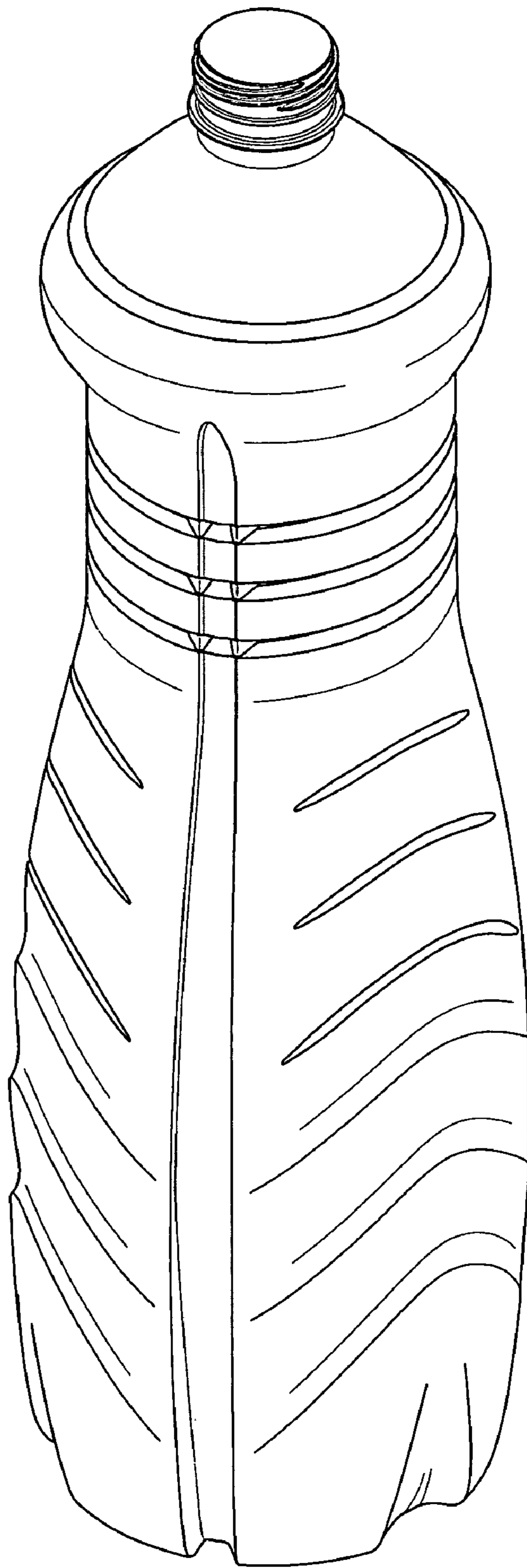


FIG. 1

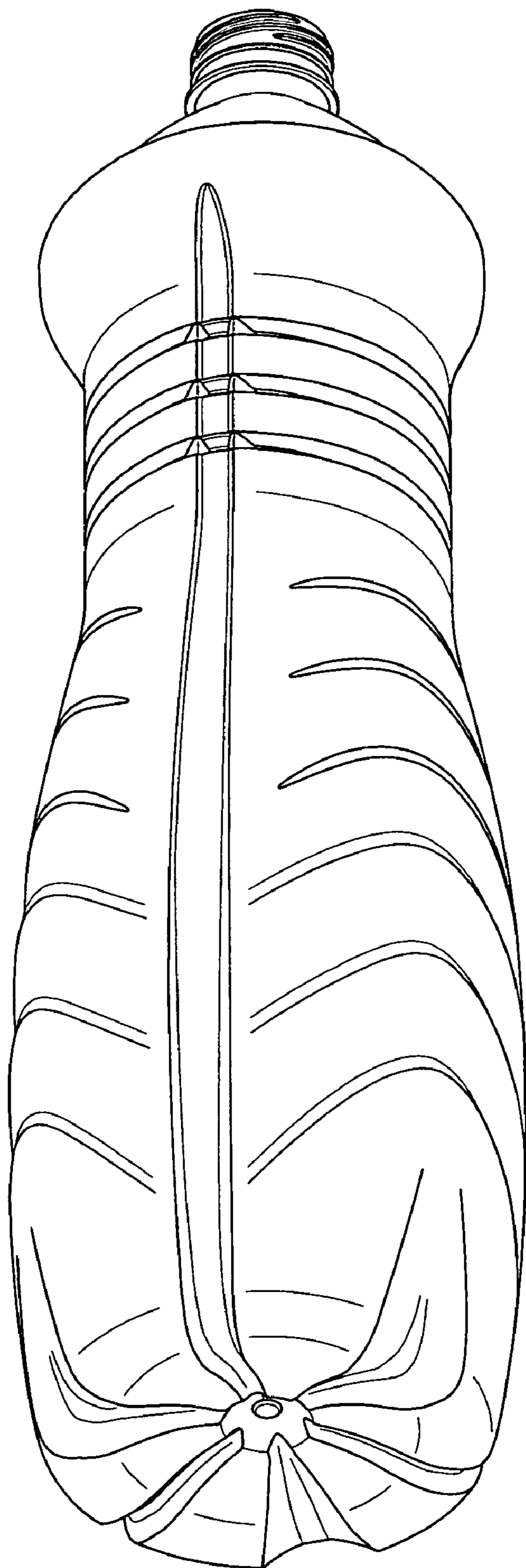


FIG. 2

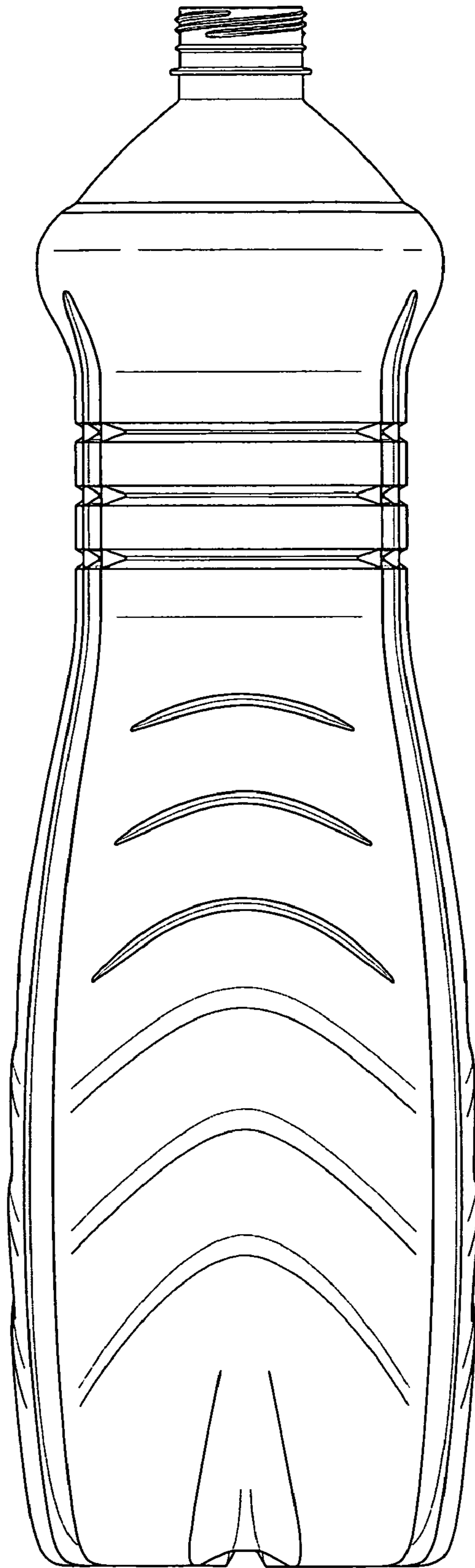


FIG. 3

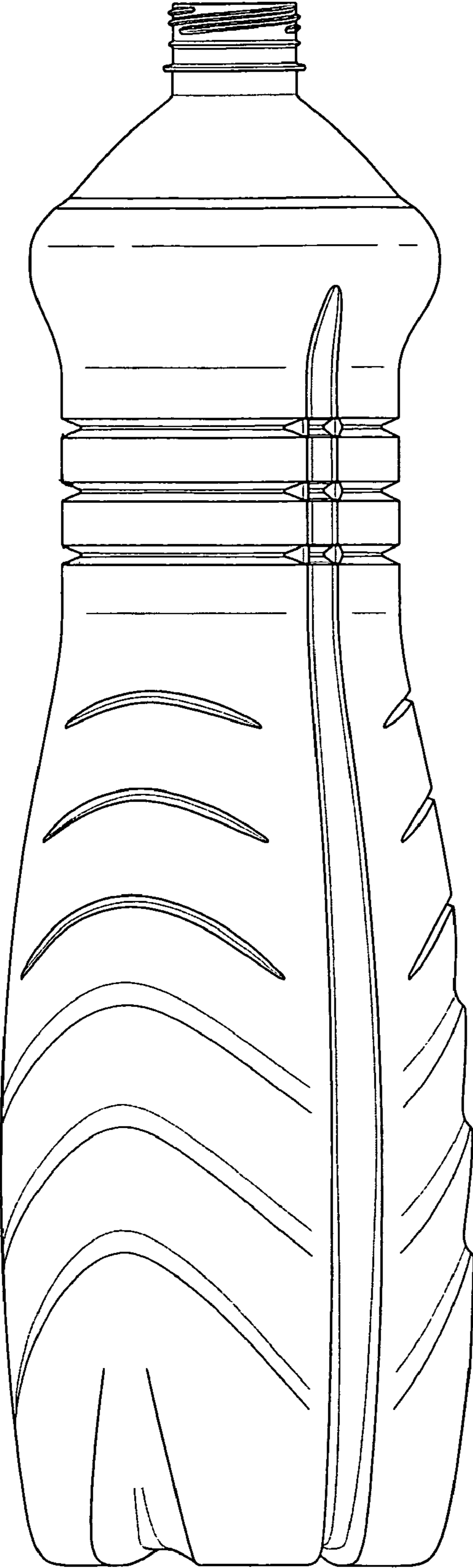


FIG. 4



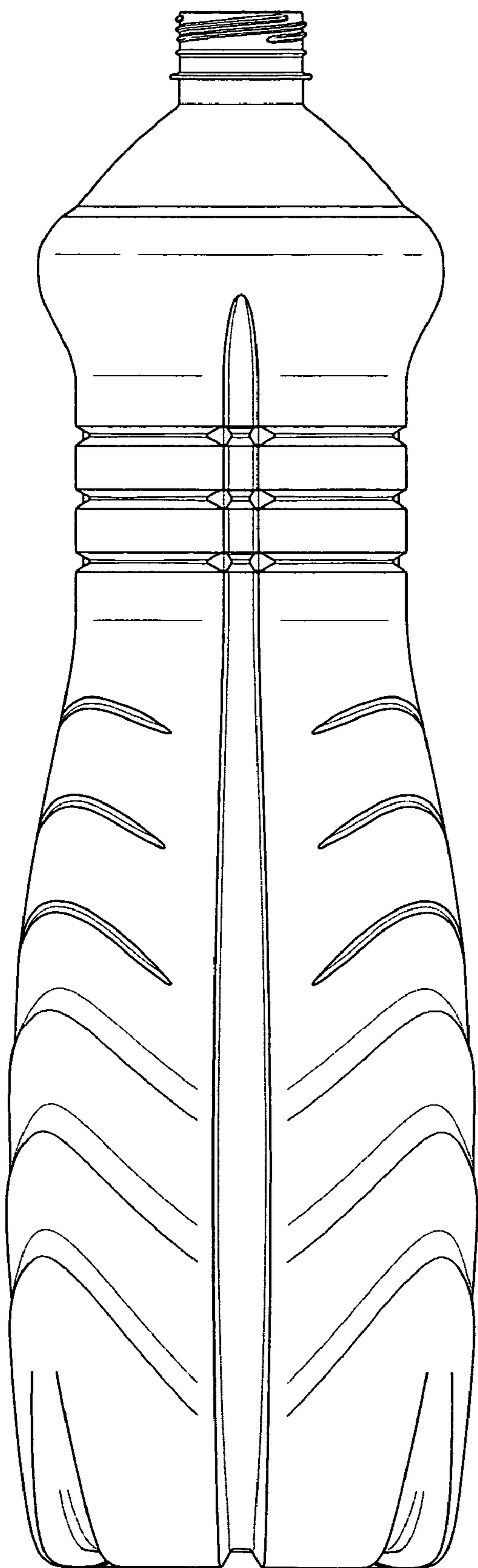


FIG. 5

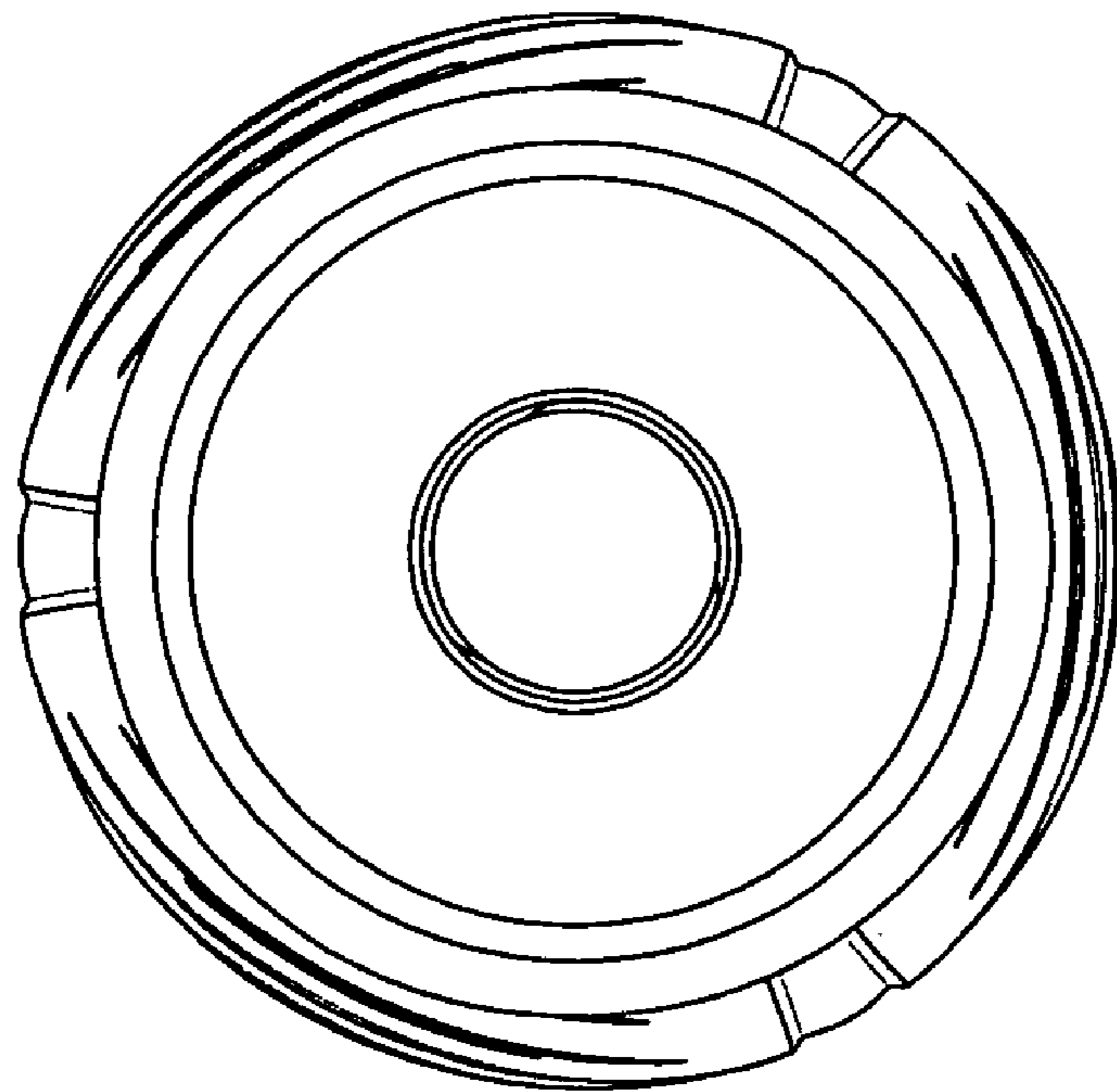


FIG. 6

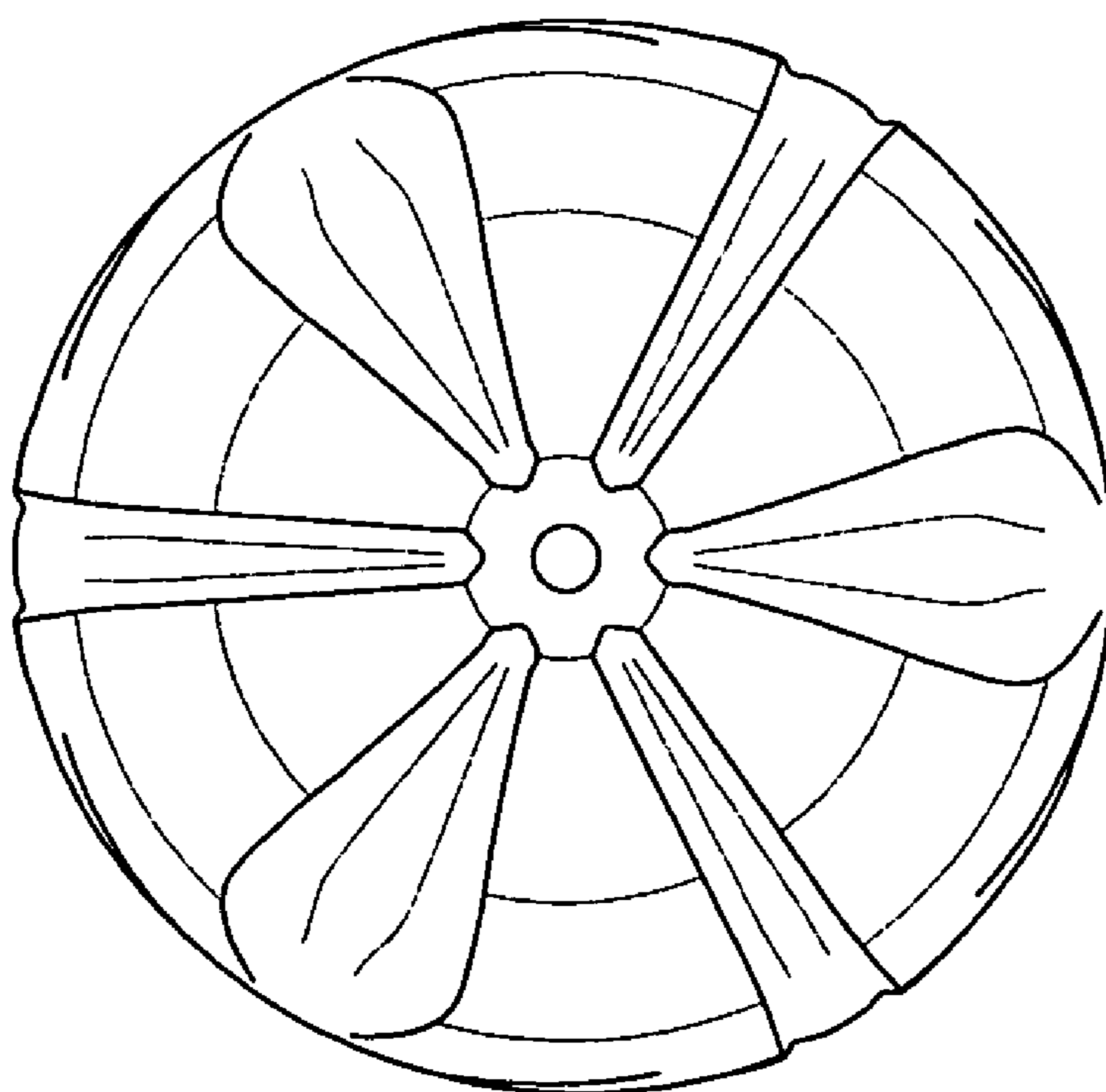


FIG. 7