



US00D601897S

(12) **United States Design Patent**
Contiero

(10) **Patent No.:** **US D601,897 S**

(45) **Date of Patent:** **** Oct. 13, 2009**

(54) **DISPENSING PUMP HEAD**

(75) Inventor: **Paolo Contiero**, Castellazzo Bormida (IT)

(73) Assignee: **Reckitt Benckiser Inc.**, Parsippany, NJ (US)

(**) Term: **14 Years**

(21) Appl. No.: **29/327,136**

(22) Filed: **Oct. 31, 2008**

(30) **Foreign Application Priority Data**

May 6, 2008 (EM) 000929955

(51) **LOC (9) Cl.** **09-07**

(52) **U.S. Cl.** **D9/448**

(58) **Field of Classification Search** D9/686,
D9/685, 682, 448, 435, 434; D8/51; D23/226,
D23/213; 417/411; 239/428.5, 343, 337,
239/333, 215, 120; 222/402.11, 383.3, 383.1,
222/323, 1

See application file for complete search history.

(56) **References Cited**

U.S. PATENT DOCUMENTS

D406,060 S * 2/1999 Dumont et al. D9/448
D433,943 S * 11/2000 Keung et al. D9/448
D494,866 S * 8/2004 Guala D9/448
D495,399 S * 8/2004 Guala D23/213

D578,888 S * 10/2008 Alluigi D9/448
D582,768 S * 12/2008 Cantoni et al. D9/448
D582,769 S * 12/2008 Turchi D9/448
D582,770 S * 12/2008 Turchi D9/448
D582,771 S * 12/2008 Cantoni D9/448
D583,233 S * 12/2008 Cantoni et al. D9/448
D587,574 S * 3/2009 Cantoni et al. D9/448

* cited by examiner

Primary Examiner—Susan Bennett Hattan

(74) *Attorney, Agent, or Firm*—Norris, McLaughlin & Marcus, P.A.

(57) **CLAIM**

The ornamental design for a dispensing pump head, as shown and described.

DESCRIPTION

FIG. 1 is a front perspective view of the dispensing pump head of the present invention;

FIG. 2 is an elevation view of the front thereof;

FIG. 3 is an elevation view of the rear thereof;

FIG. 4 is an elevation view of the right side thereof;

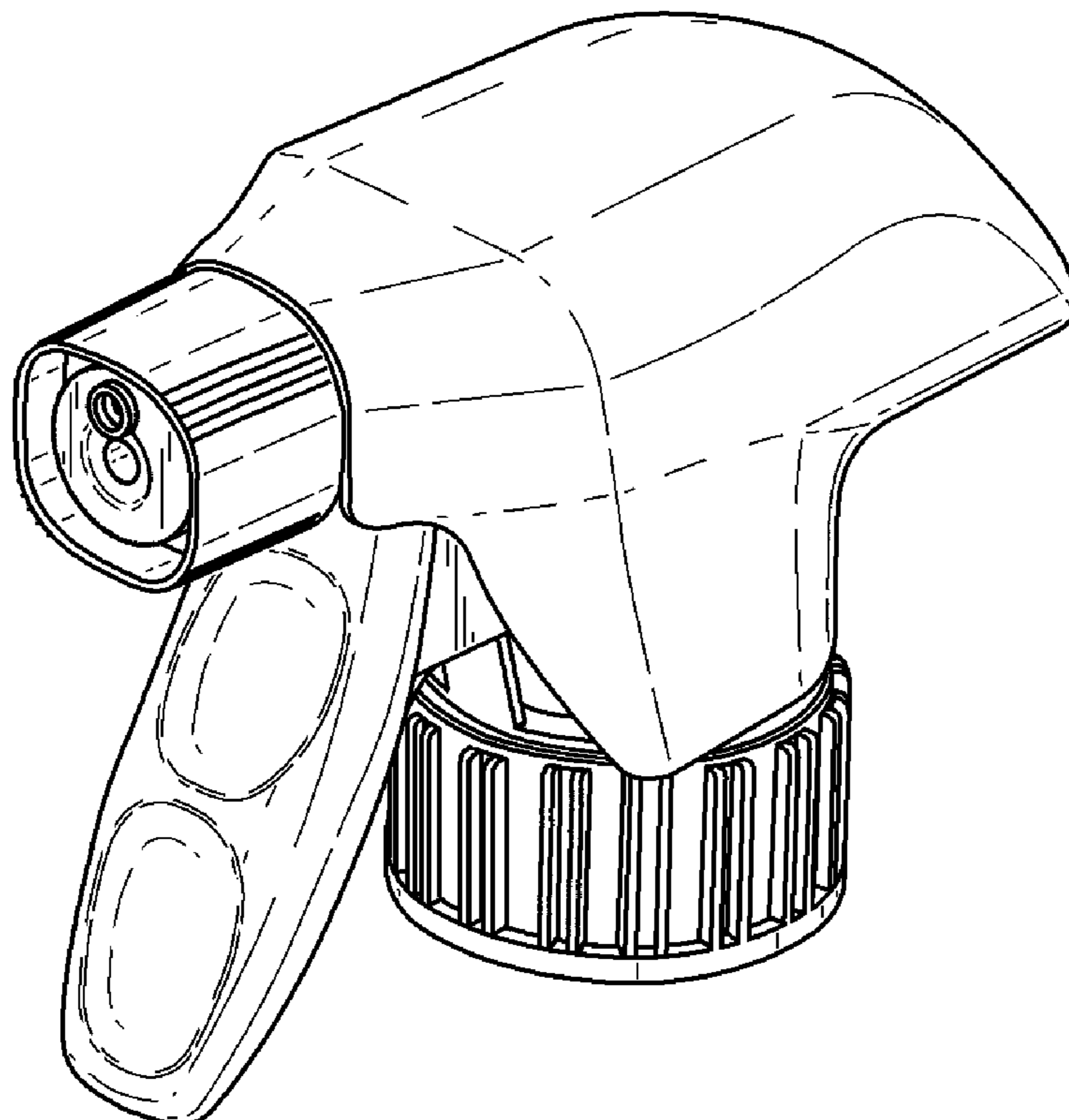
FIG. 5 is an elevation view of the left side thereof;

FIG. 6 is a plan view of the top thereof; and,

FIG. 7 is a plan view of the bottom thereof.

The broken lines shown are for illustrative purposes only and form no part of the claimed design.

1 Claim, 4 Drawing Sheets



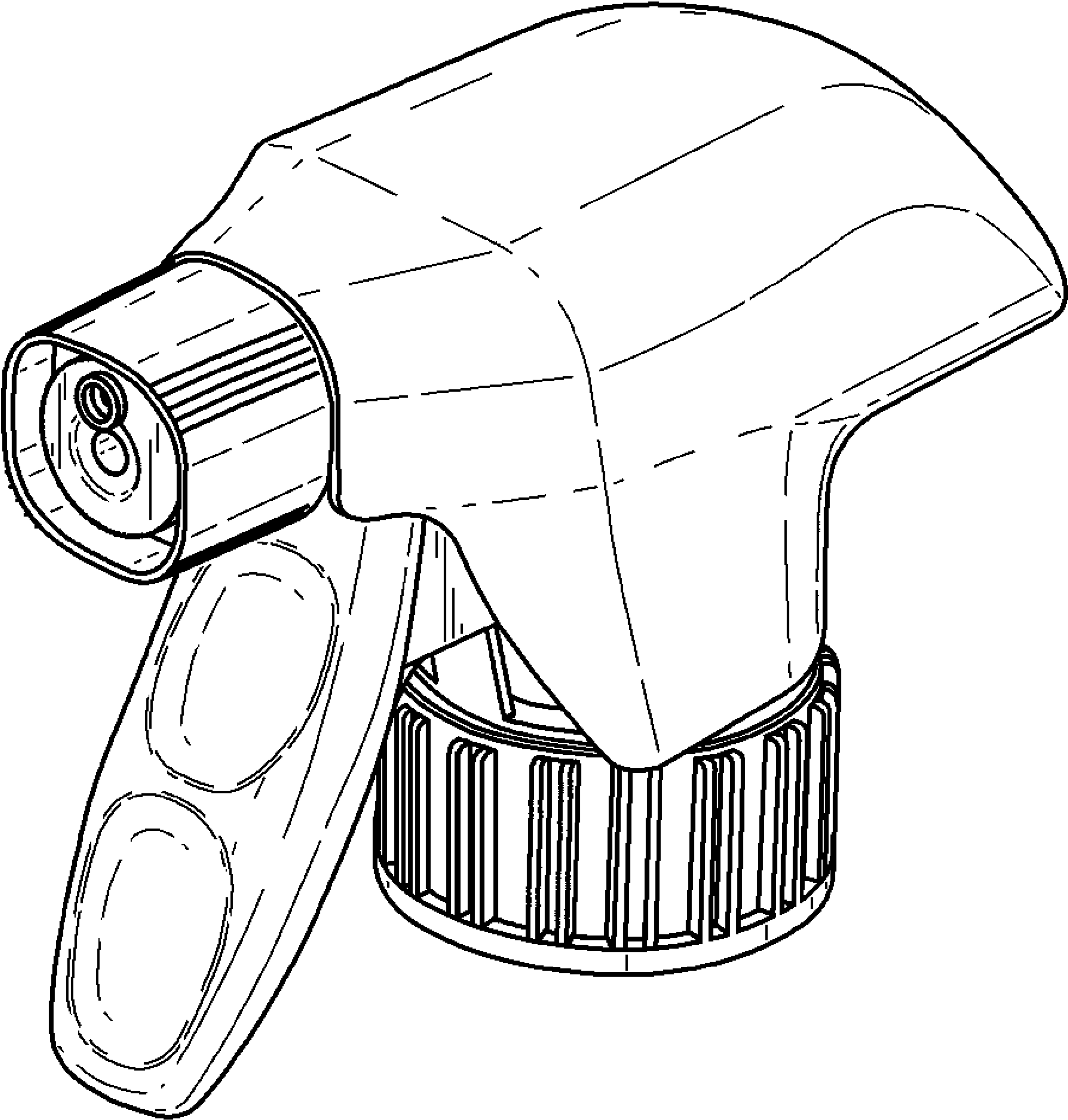


Fig. 1.

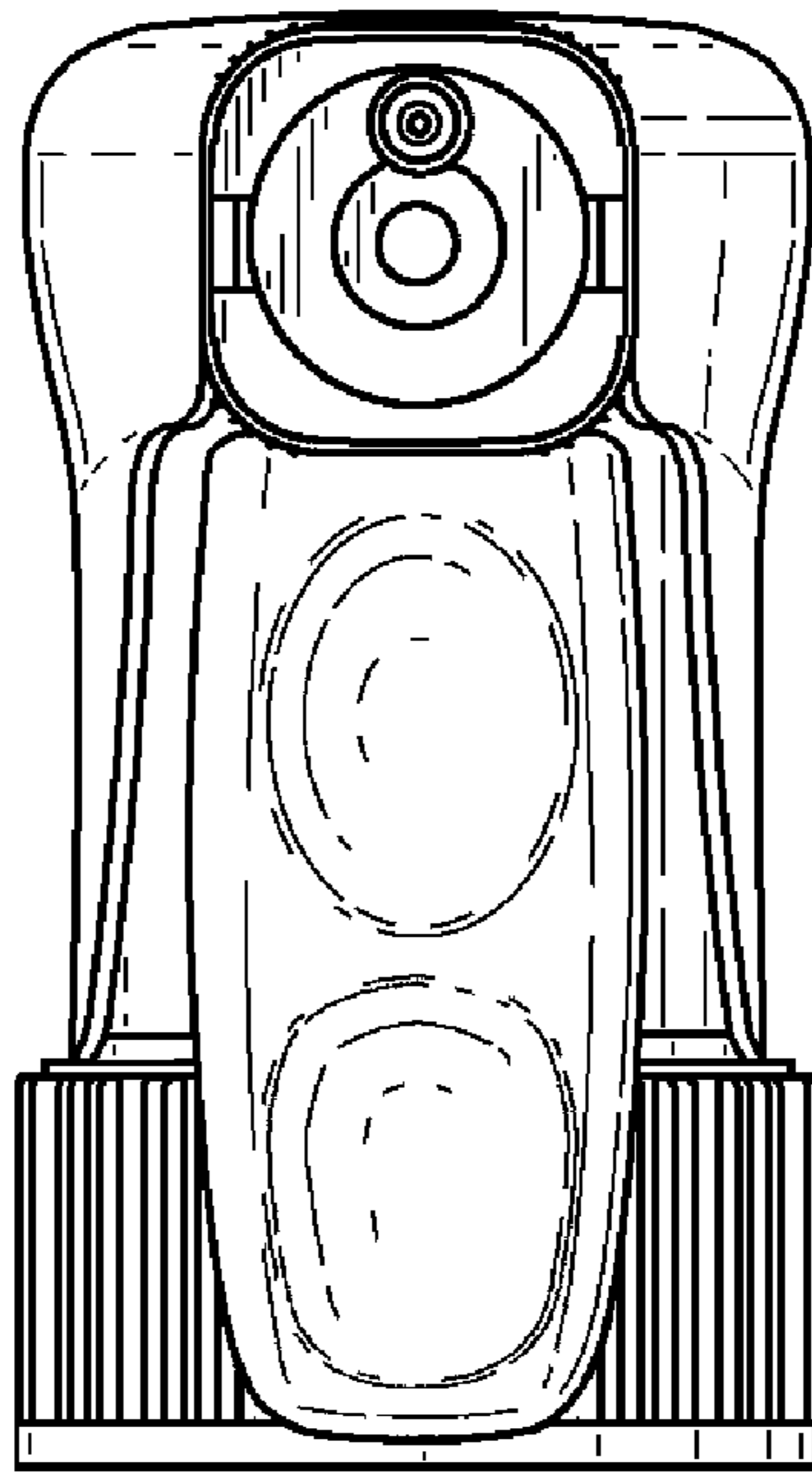


Fig.2.

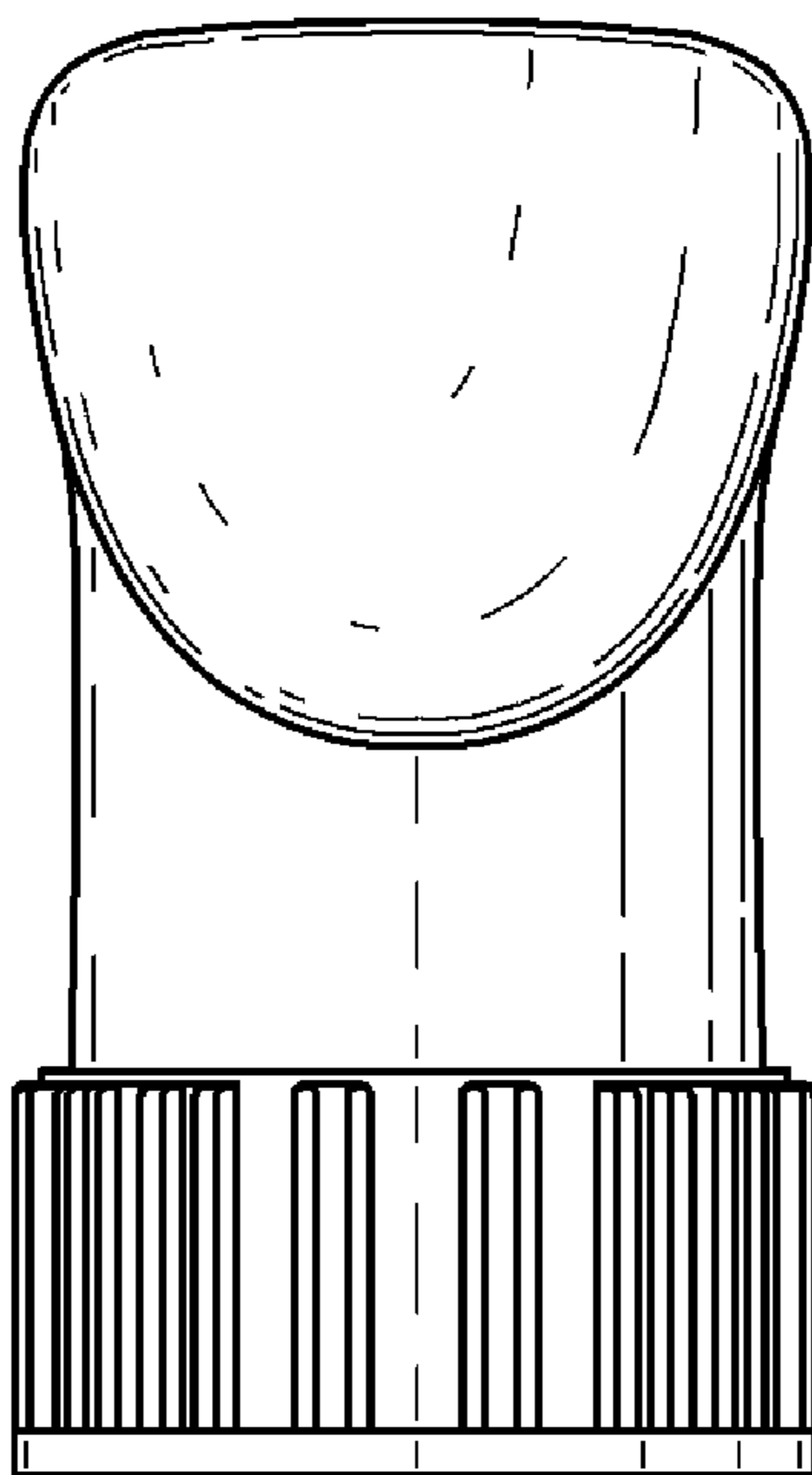


Fig.3.

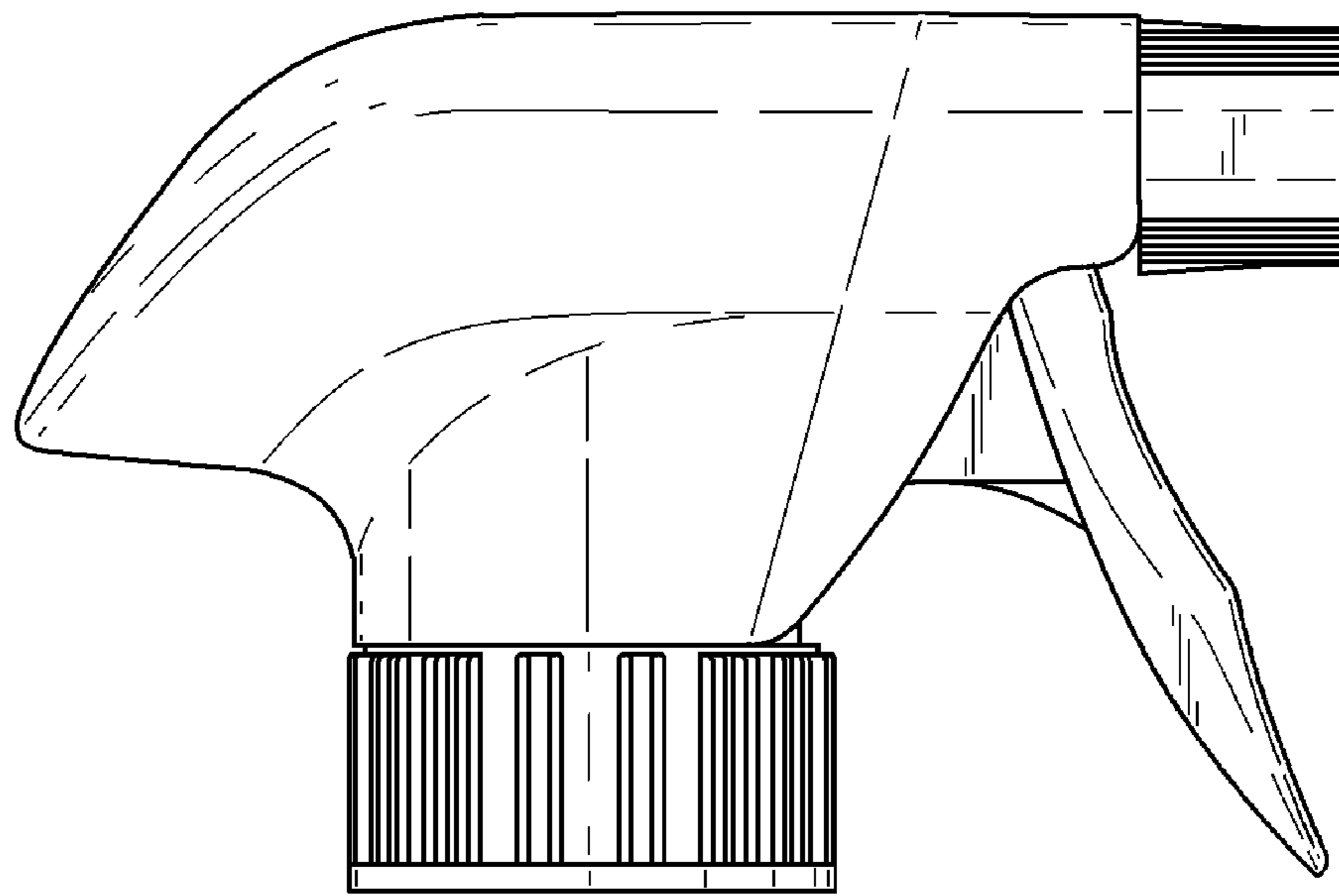


Fig.4.

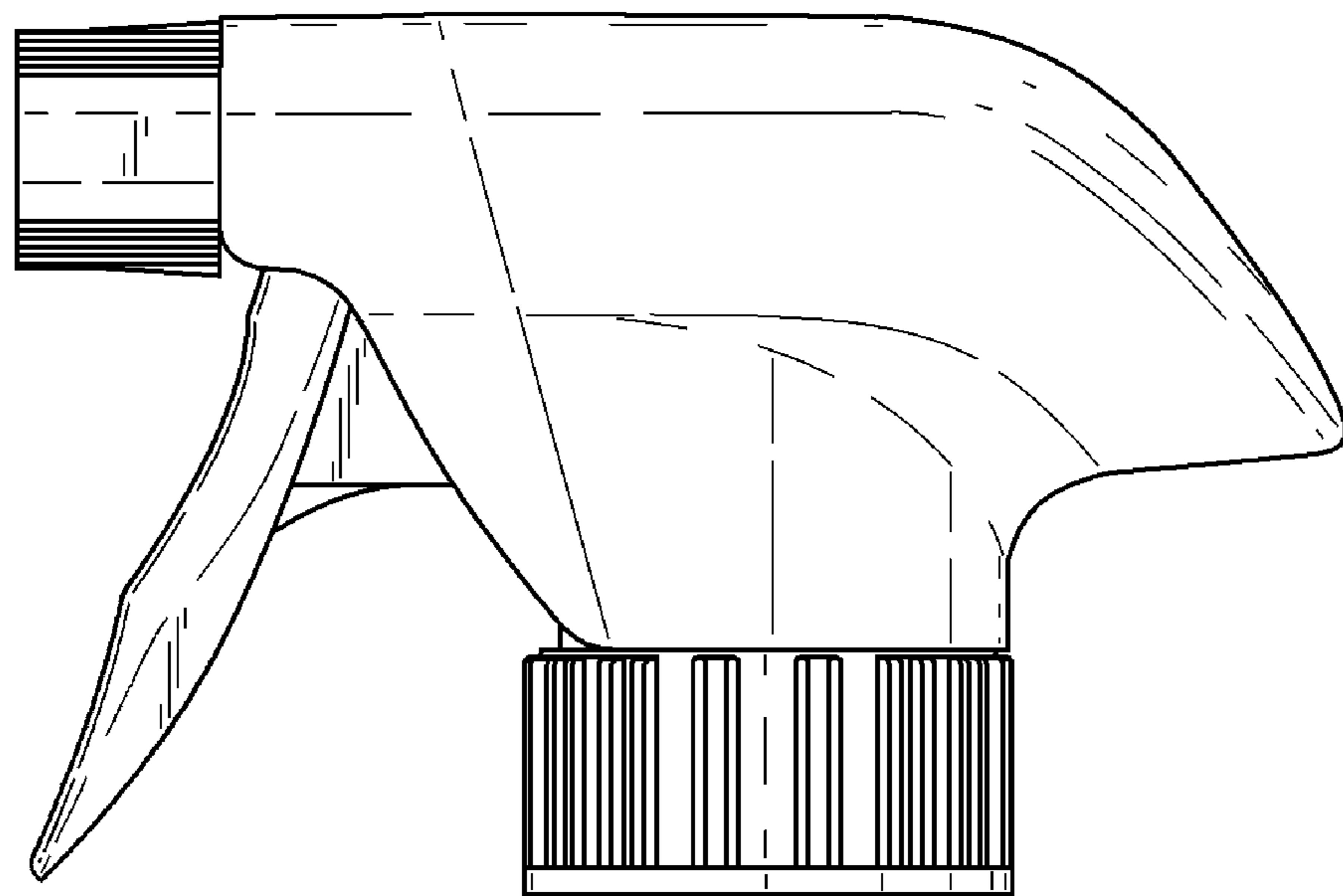


Fig.5.

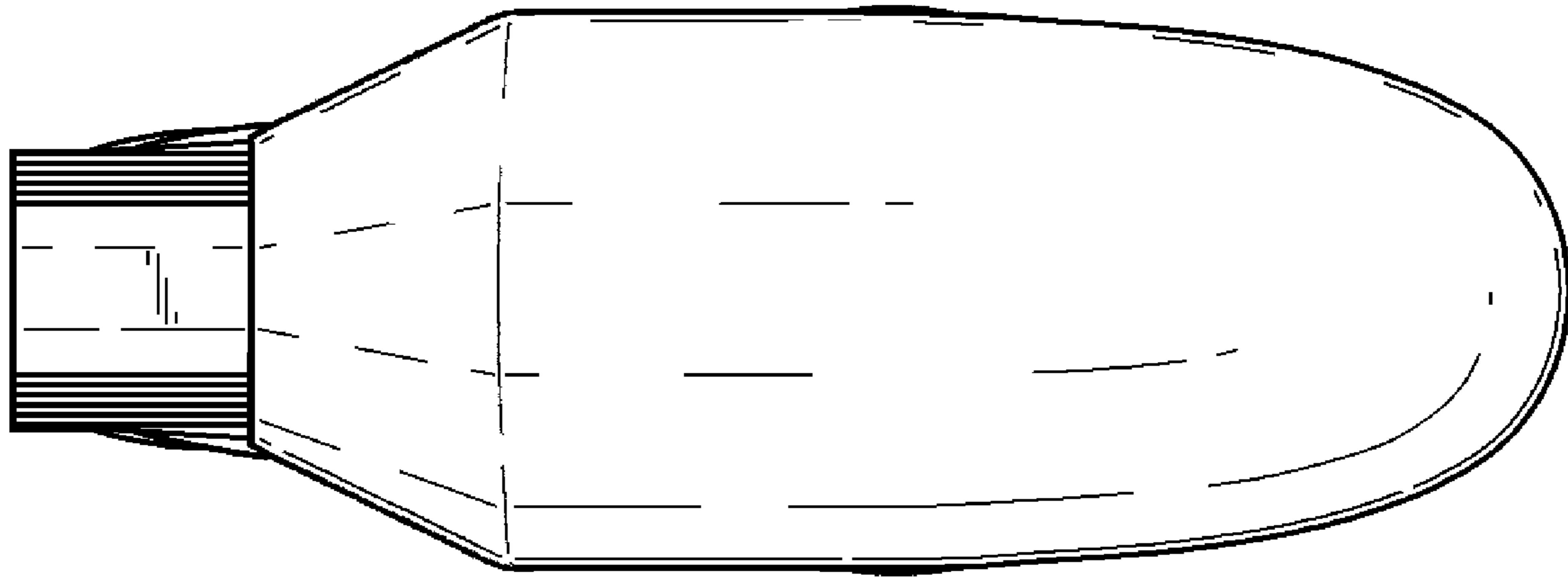


Fig. 6.

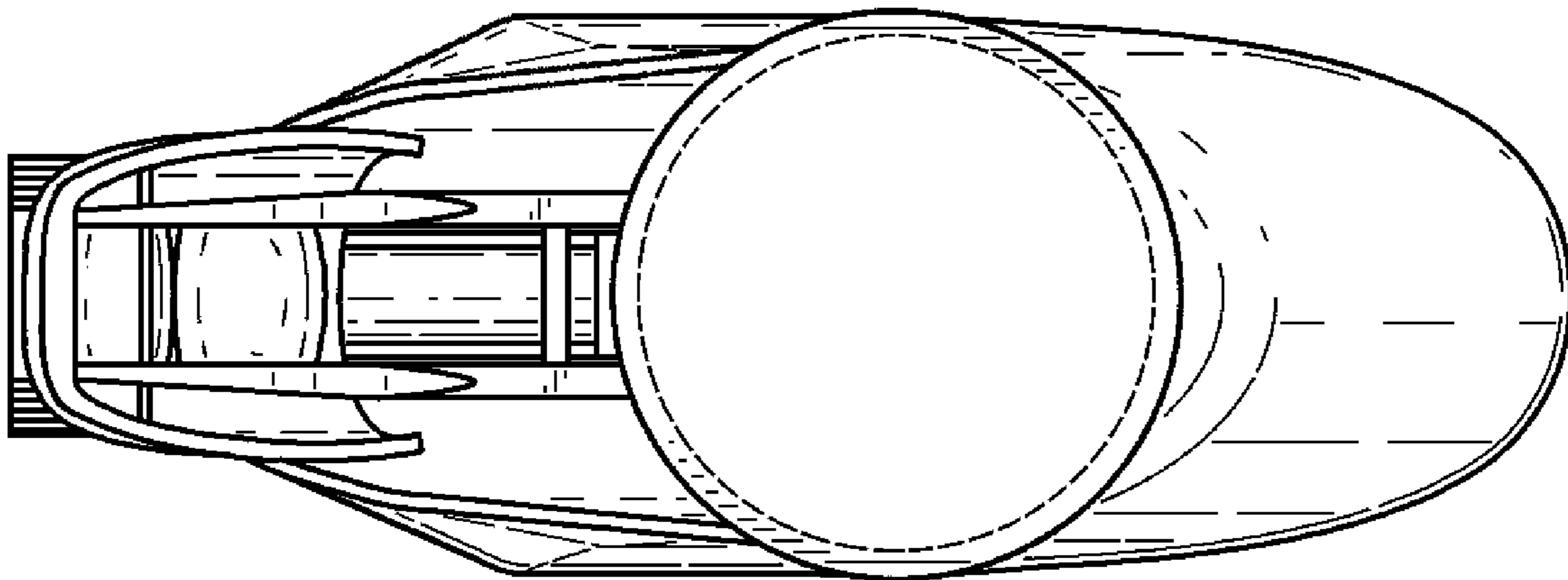


Fig. 7.