

US00D601882S

(12) **United States Design Patent**
Mirer et al.

(10) **Patent No.:** **US D601,882 S**

(45) **Date of Patent:** **** Oct. 13, 2009**

(54) **CONNECTING CLIP**

(76) Inventors: **Josef Mirer**, 33 Sylvan Ave., Riverdale,
NY (US) 10471; **Ognjen Pavic**, 319
Congress St., Saddle Brook, NJ (US)
07763; **Cristtian A. Cerna**, 87 S.
Bicycle Path, Selden, NY (US) 11784

(**) Term: **14 Years**

(21) Appl. No.: **29/319,876**

(22) Filed: **Jun. 17, 2008**

(51) **LOC (9) Cl.** **08-08**

(52) **U.S. Cl.** **D8/395**

(58) **Field of Classification Search** D8/356,
D8/371, 394-396; 24/570; 248/74.2, 215,
248/227.1, 49, 300, 301, 316.7, 51, 489;
D19/65, 56

See application file for complete search history.

(56) **References Cited**

U.S. PATENT DOCUMENTS

D49,616 S *	9/1916	McKee	D19/99
1,372,959 A *	3/1921	Klenck	24/10 A
2,682,385 A *	6/1954	Schluter	248/262
D256,258 S *	8/1980	Varrin	D20/43
D310,847 S *	9/1990	Dietz	D19/90
D363,453 S *	10/1995	Herdt	D11/78.1
D398,221 S *	9/1998	Weber et al.	D8/371
D530,599 S *	10/2006	Martin	D8/395

D553,969 S *	10/2007	Allsopp	D8/394
D553,970 S *	10/2007	Allsopp	D8/395
D572,128 S *	7/2008	Poulsen et al.	D8/395
D573,012 S *	7/2008	Godwin et al.	D8/395
D586,718 S *	2/2009	Morita et al.	D12/223
2008/0314175 A1 *	12/2008	Egle et al.	74/336 R

* cited by examiner

Primary Examiner—T. Chase Nelson
Assistant Examiner—John Windmuller

(74) *Attorney, Agent, or Firm*—Gottlieb, Rackman &
Reisman, P.C.

(57) **CLAIM**

An ornamental design for a connecting clip, as shown and described.

DESCRIPTION

FIG. 1 is a top, right side and front perspective view showing our new design;

FIG. 2 is a top plan view thereof;

FIG. 3 is a front view thereof;

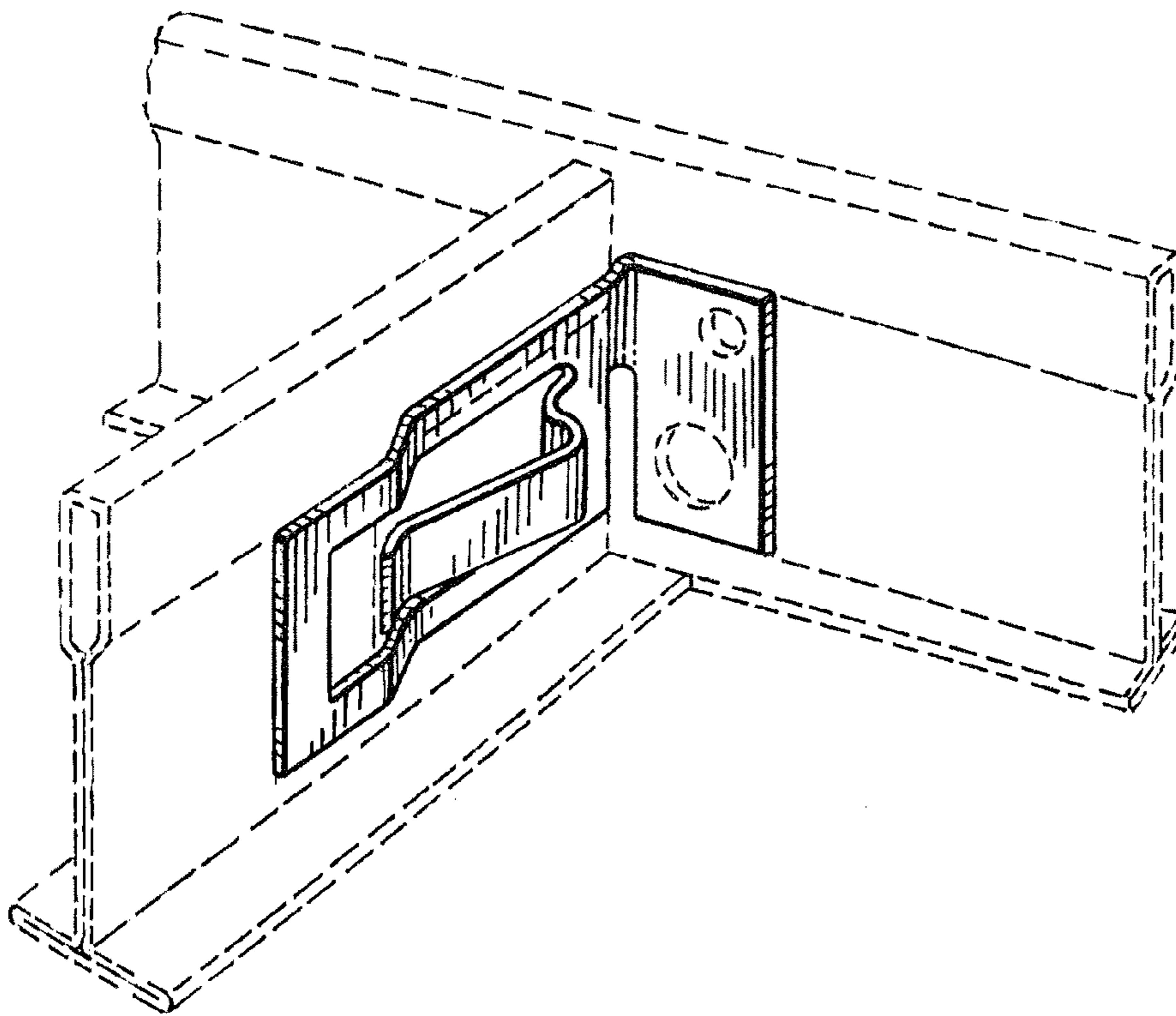
FIG. 4 is a rear view thereof;

FIG. 5 is a left side view thereof; and,

FIG. 6 is a bottom plan view thereof.

In the drawings, the broken lines depict environmental subject matter only and form no part of the claimed design.

1 Claim, 2 Drawing Sheets



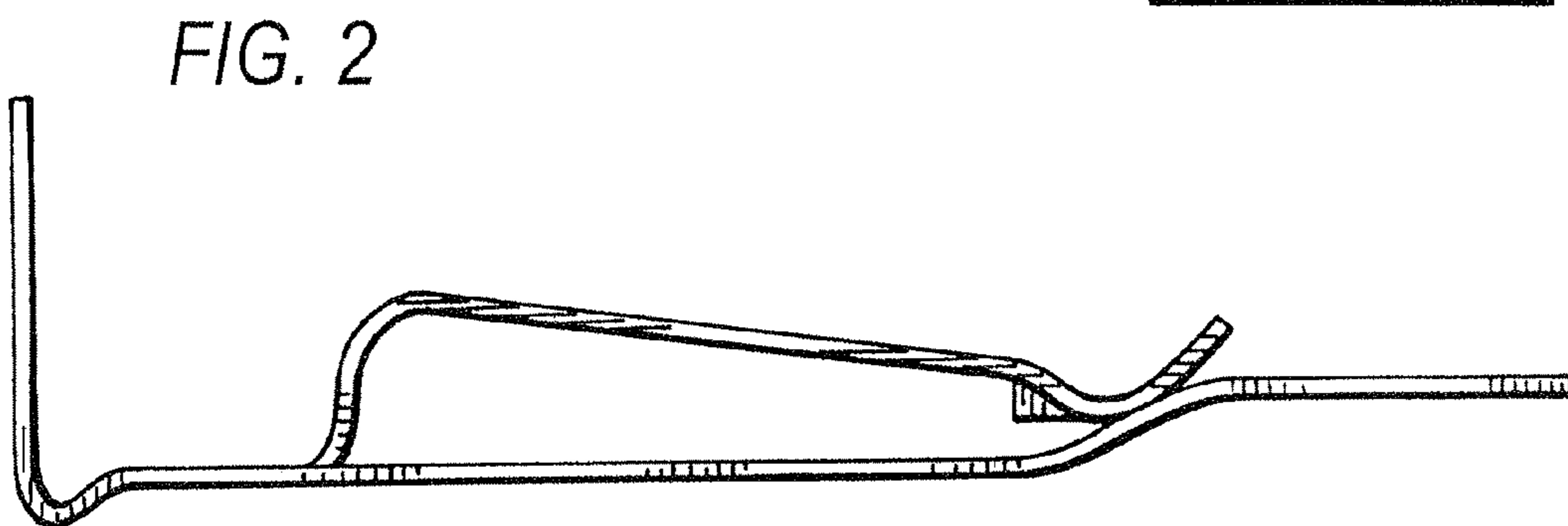
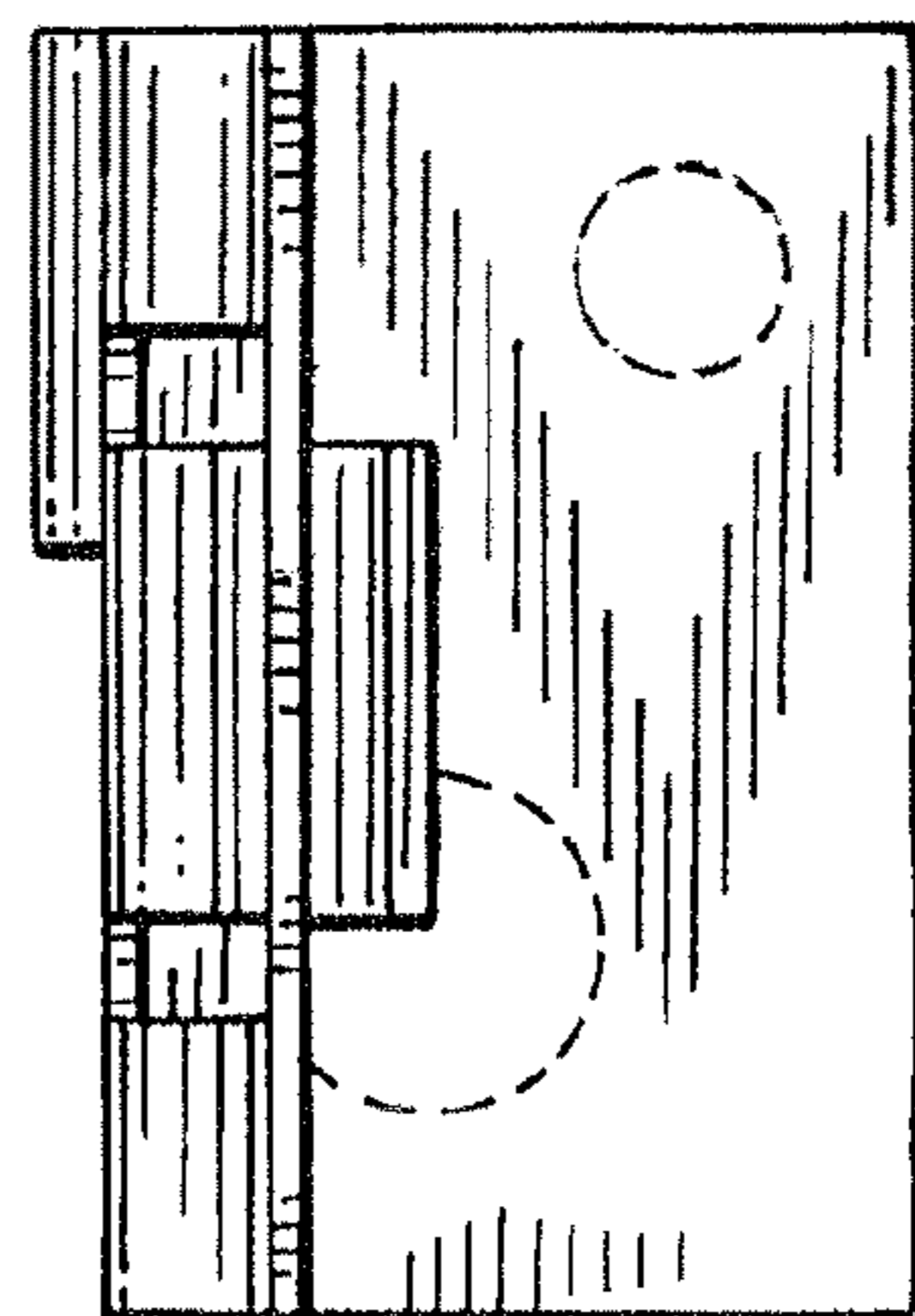
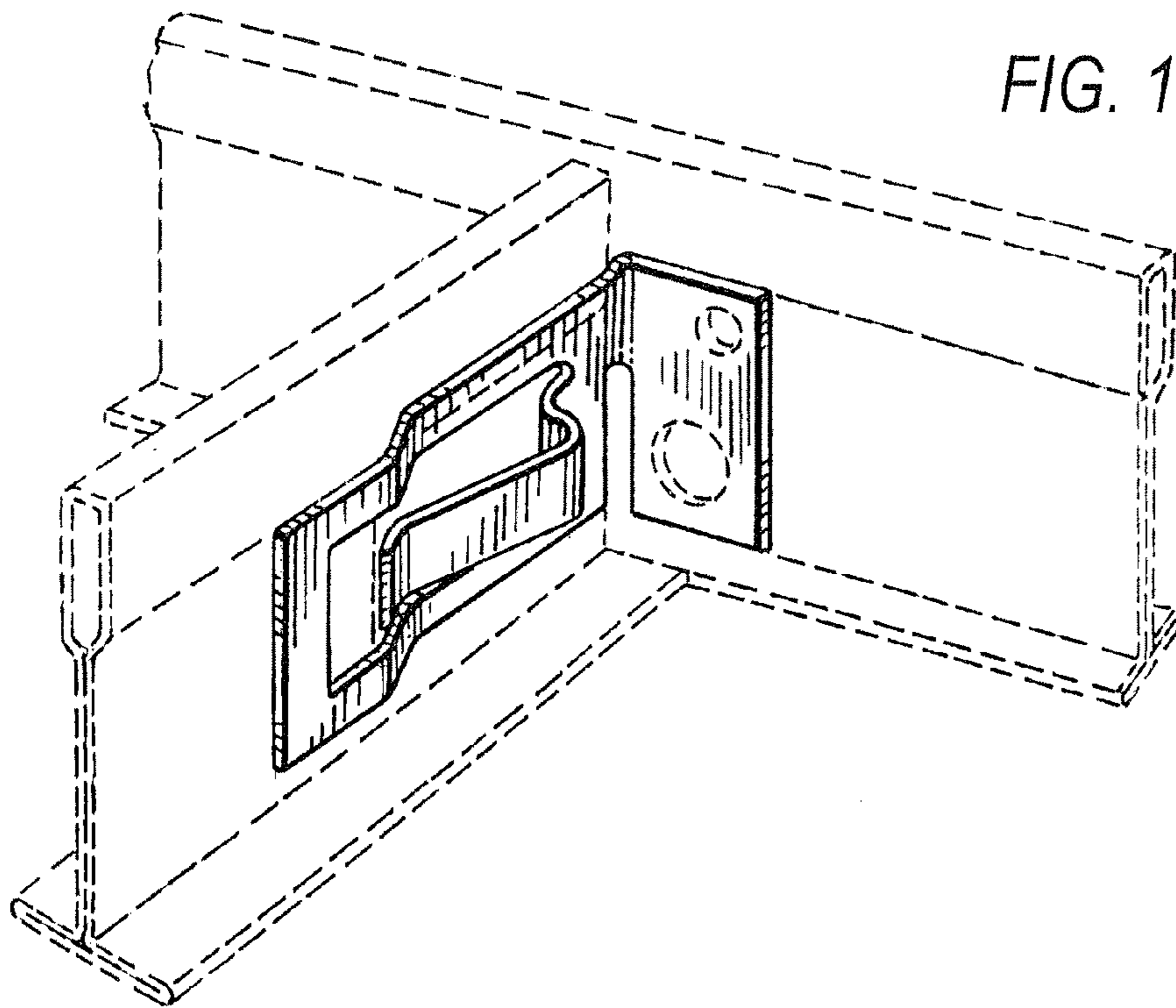


FIG. 4

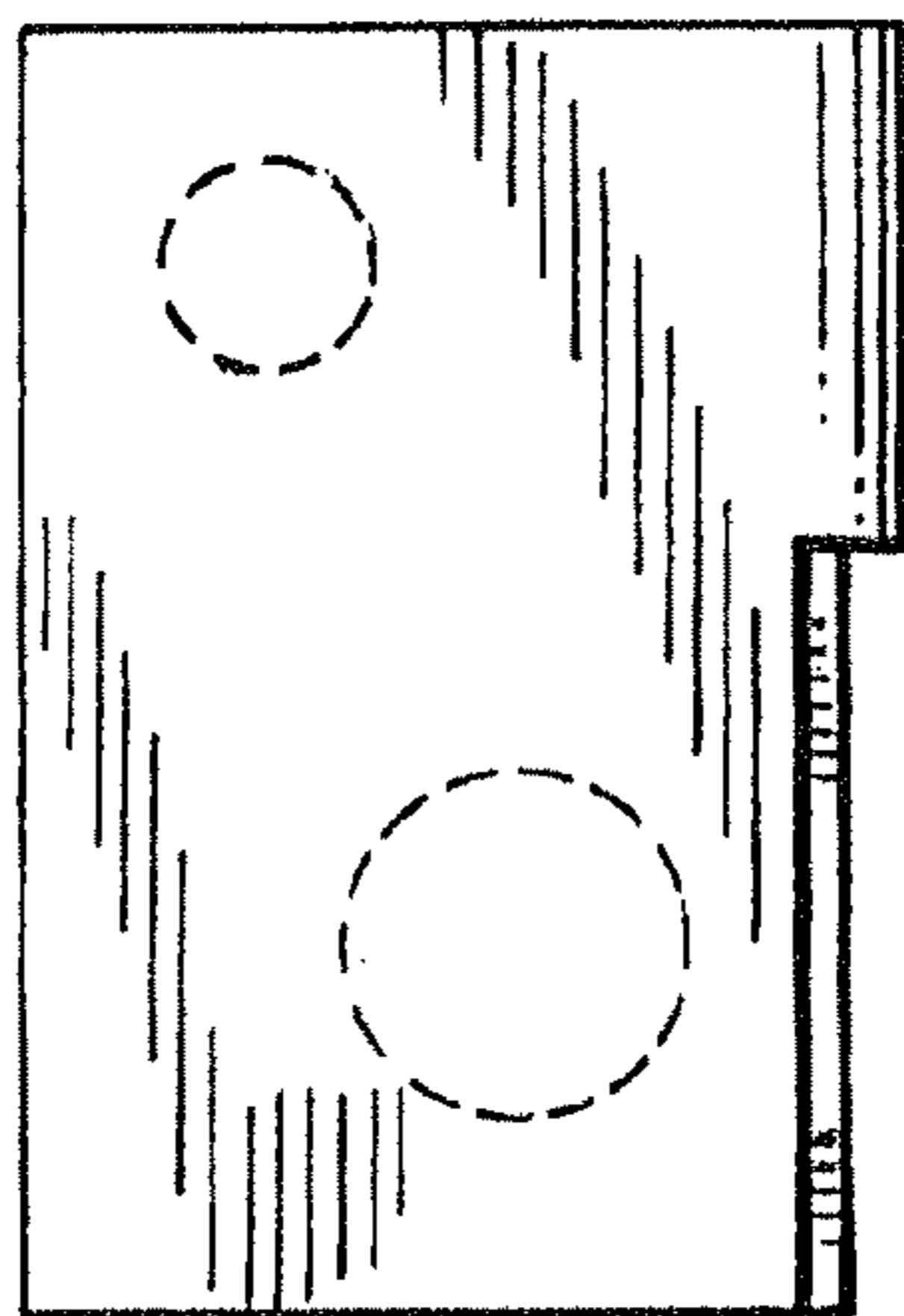


FIG. 5

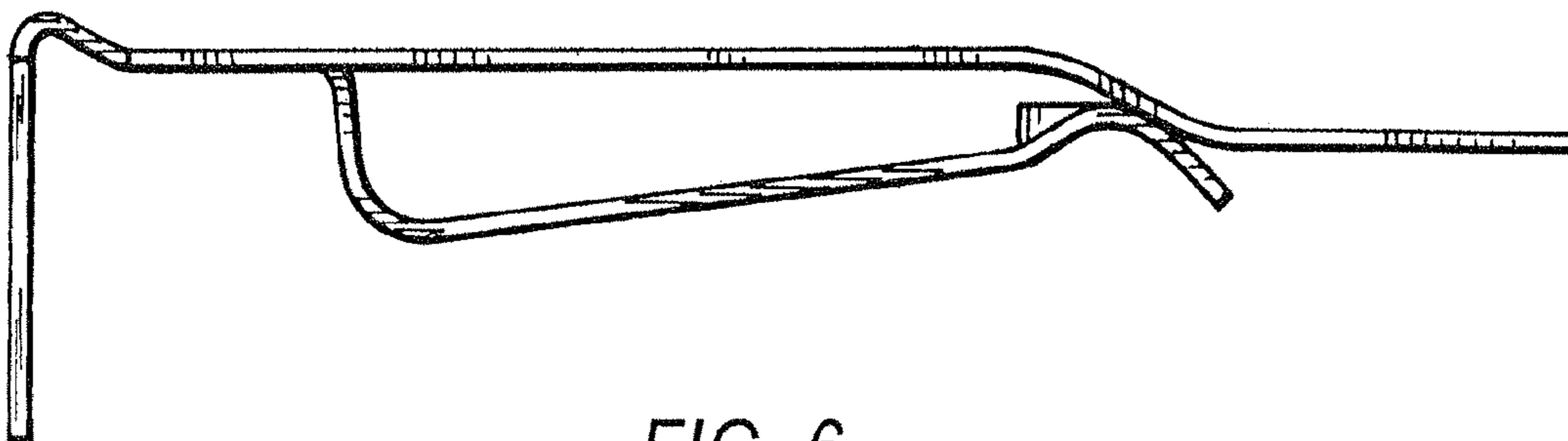
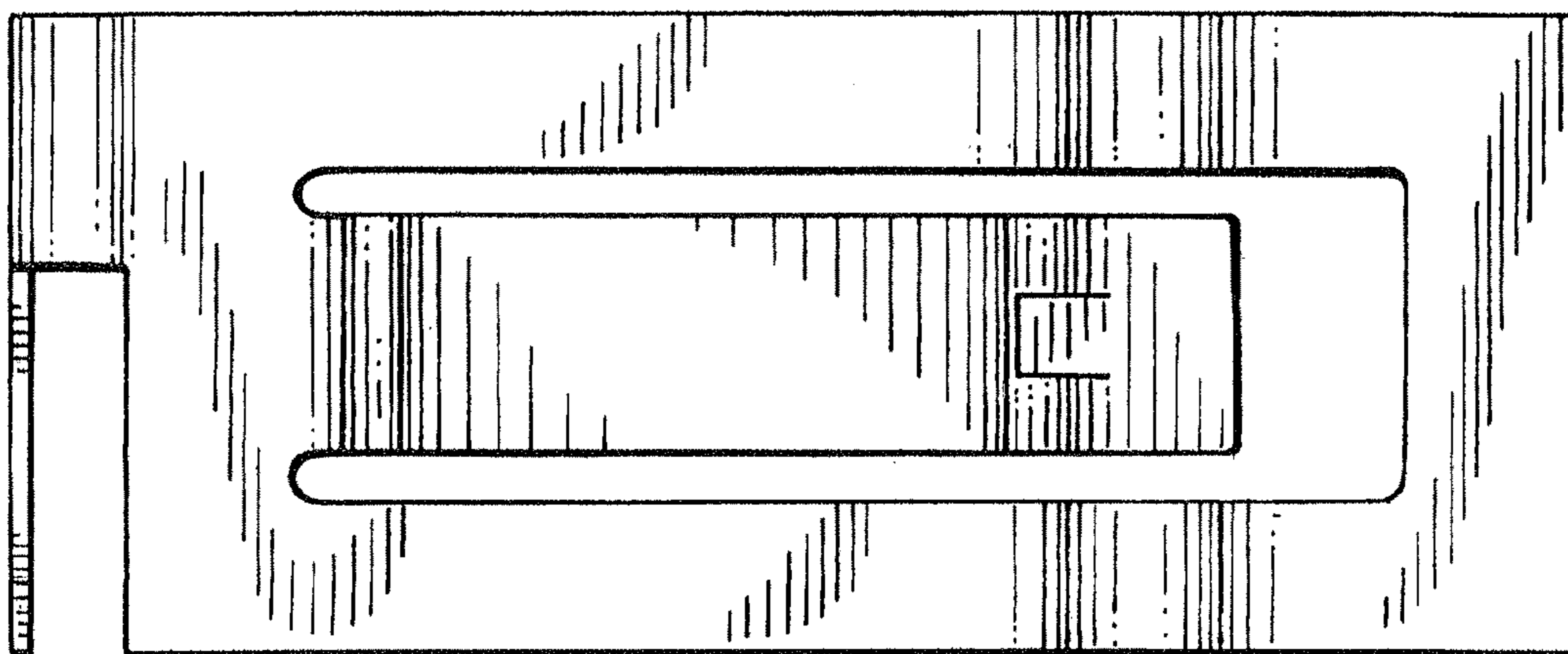


FIG. 6