



US00D601881S

(12) **United States Design Patent**
Aichmann

(10) **Patent No.:** **US D601,881 S**

(45) **Date of Patent:** **** Oct. 13, 2009**

(54) **FASTENING DEVICE FOR WATCH DISPLAY**

(75) Inventor: **Ortwin Aichmann**, Horn (CH)

(73) Assignee: **Swatch AG (Swatch SA) (Swatch Ltd.)**,
Biel / Bienne (CH)

(**) Term: **14 Years**

(21) Appl. No.: **29/320,868**

(22) Filed: **Jul. 7, 2008**

(30) **Foreign Application Priority Data**

Jan. 8, 2008 (WO) DM/069 641

(51) **LOC (9) Cl.** **08-08**

(52) **U.S. Cl.** **D8/382**

(58) **Field of Classification Search** D8/349,
D8/346, 355-356, 373, 380, 382; 24/305,
24/459, 704.1-704.2

See application file for complete search history.

(56) **References Cited**

U.S. PATENT DOCUMENTS

- D410,194 S * 5/1999 Hilton et al. D8/382
- D471,084 S * 3/2003 Nemoto D8/382
- D477,771 S * 7/2003 Nemoto D8/382
- D478,496 S * 8/2003 Gratiot D8/349
- D478,740 S * 8/2003 Kirshner D6/466
- 6,769,653 B2 * 8/2004 Au et al. 248/114
- D497,805 S * 11/2004 Gratiot D9/422

- D504,588 S * 5/2005 Mendini D6/553
- D566,424 S * 4/2008 Mendini D6/468
- D588,904 S * 3/2009 Chong et al. D8/356

* cited by examiner

Primary Examiner—Holly H Baynham

Assistant Examiner—Sheryl Lane

(74) *Attorney, Agent, or Firm*—Collen IP; Donald J. Ranft

(57) **CLAIM**

The ornamental design for a fastening device for watch display, as shown and described.

DESCRIPTION

FIG. 1 is a top view of my a new, original and ornamental design for a fastening device for watch display;

FIG. 2 is a bottom view thereof;

FIG. 3 is front view thereof;

FIG. 4 is a rear view thereof;

FIG. 5 is a right side view thereof;

FIG. 6 is a left side view thereof;

FIG. 7 is a top perspective view thereof;

FIG. 8 is a bottom perspective view thereof;

FIG. 9 is a top exploded perspective view of the two elements thereof; and,

FIG. 10 is a bottom exploded perspective view of the two elements thereof.

1 Claim, 2 Drawing Sheets

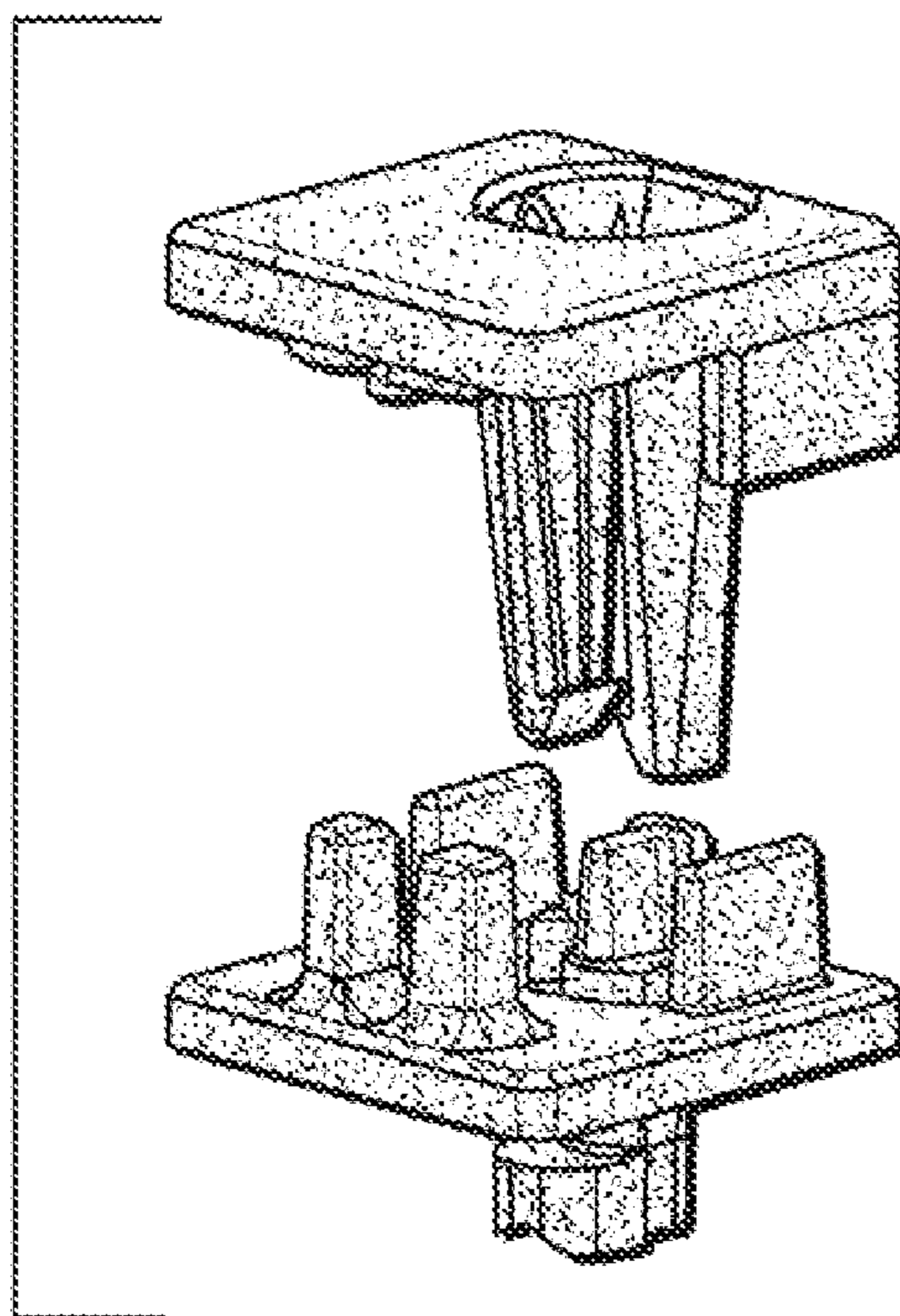


Fig. 1

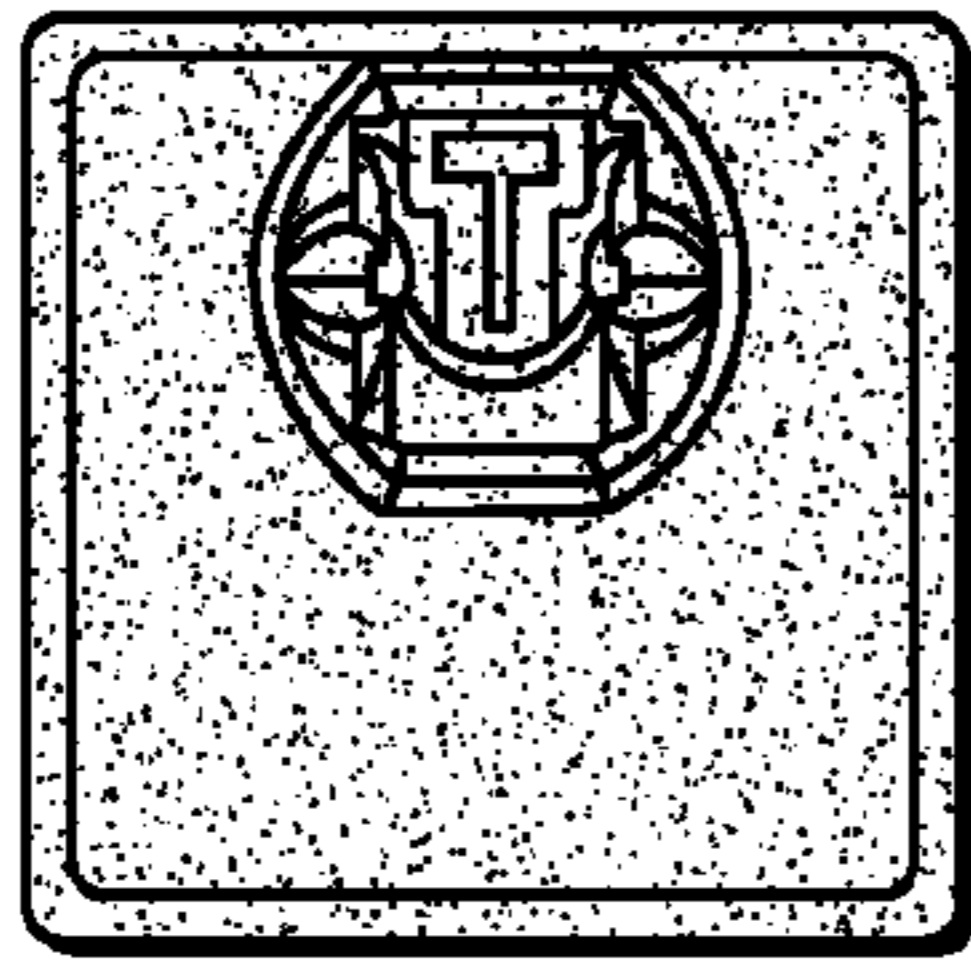


Fig. 2

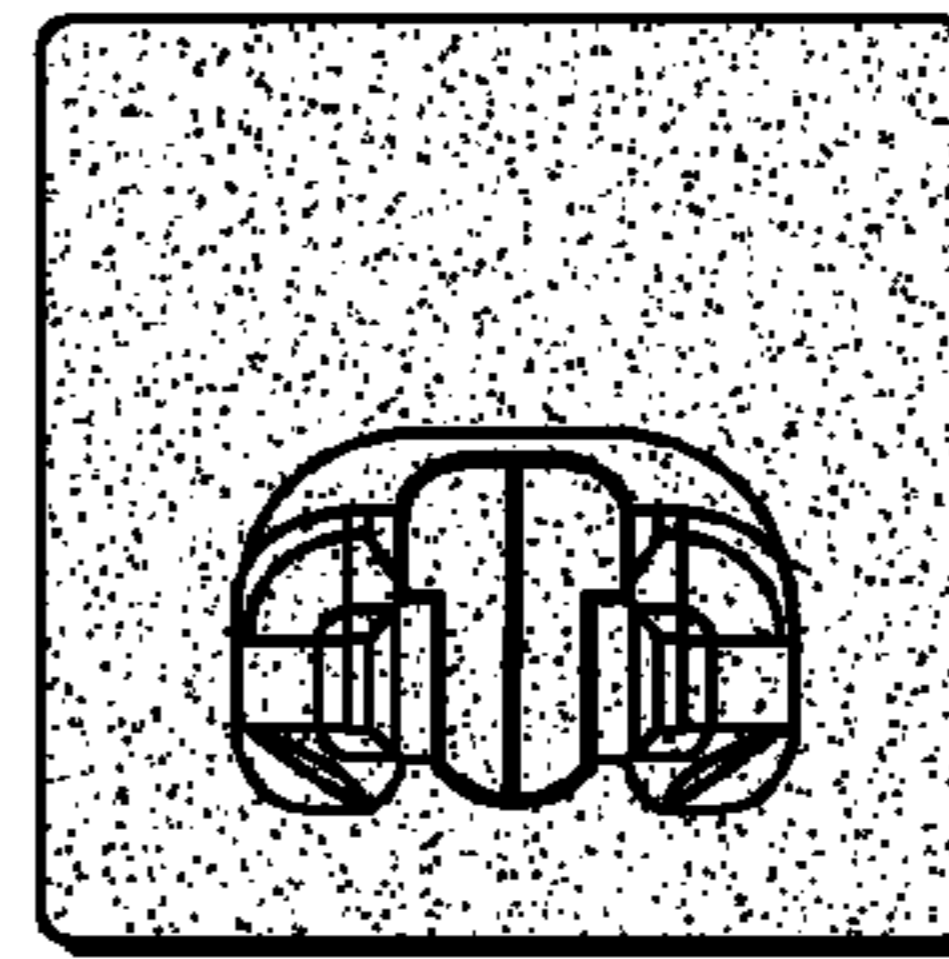


Fig. 3

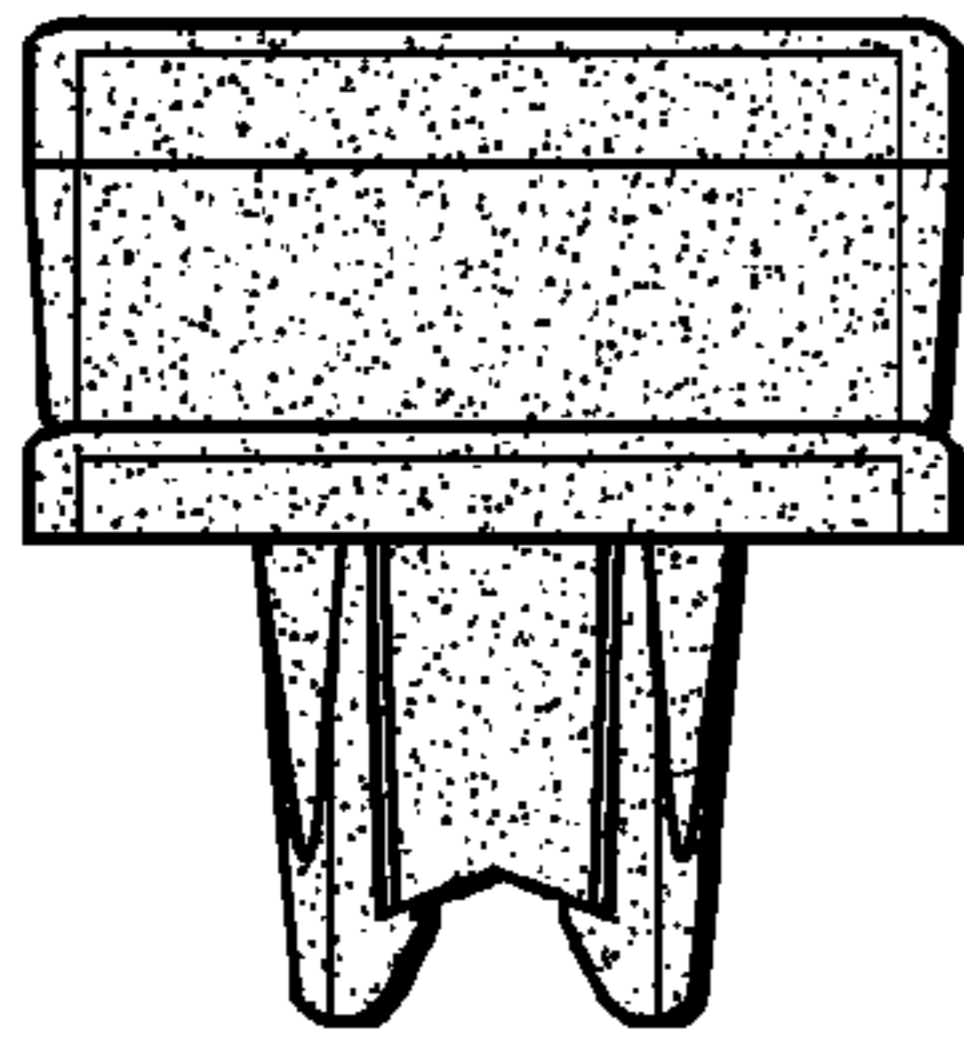


Fig. 4

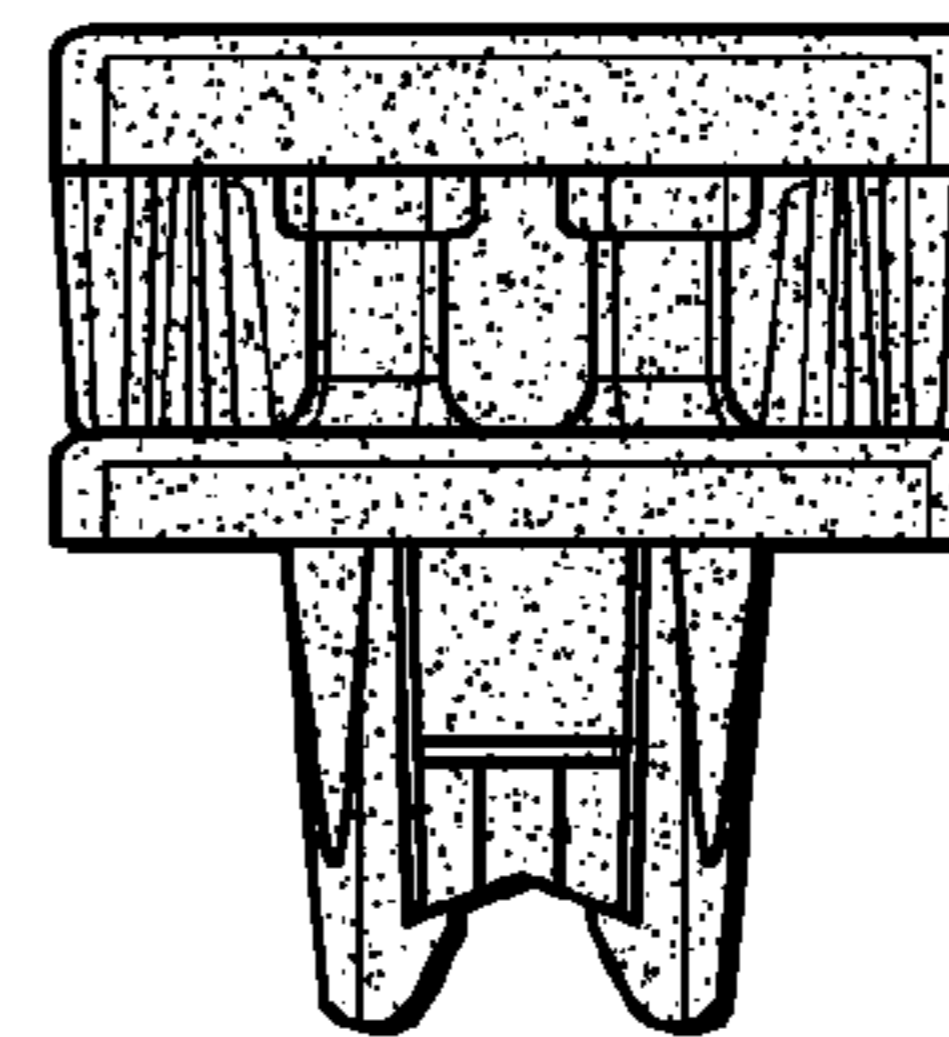


Fig. 5

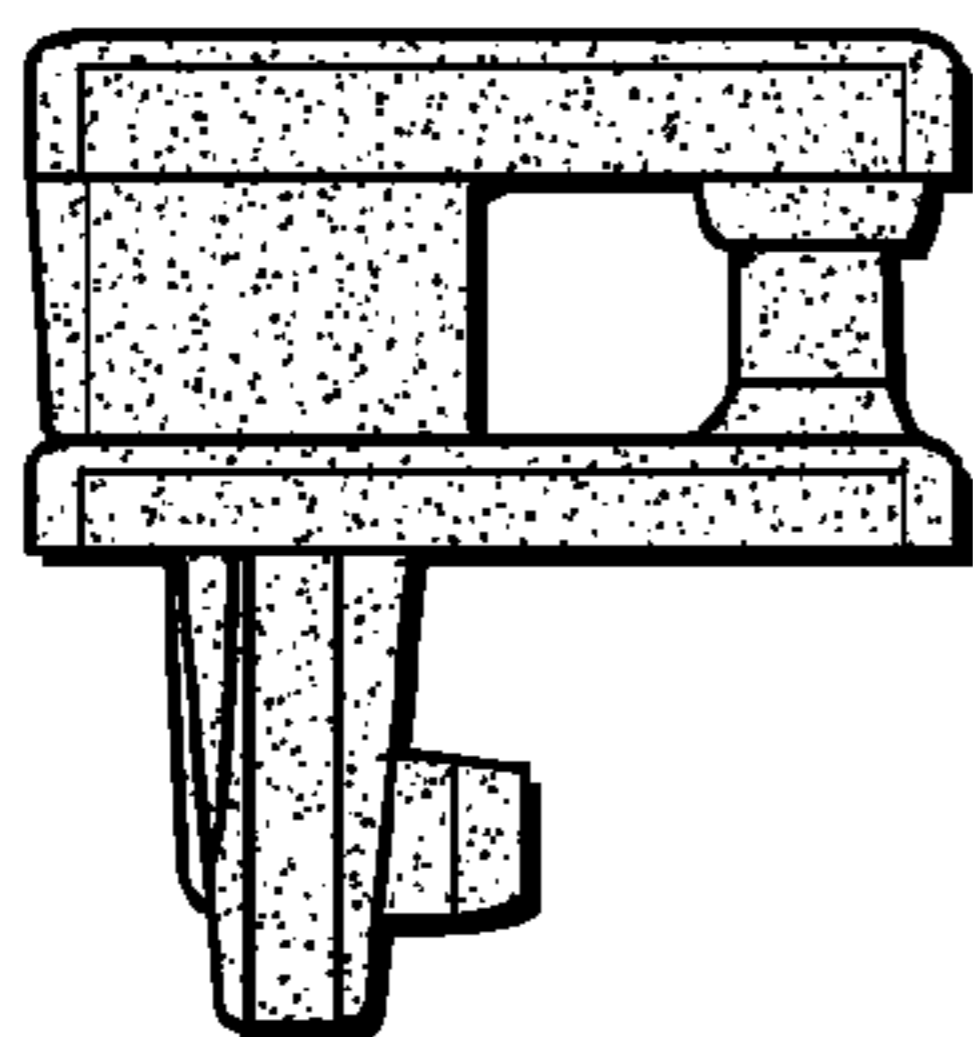


Fig. 6

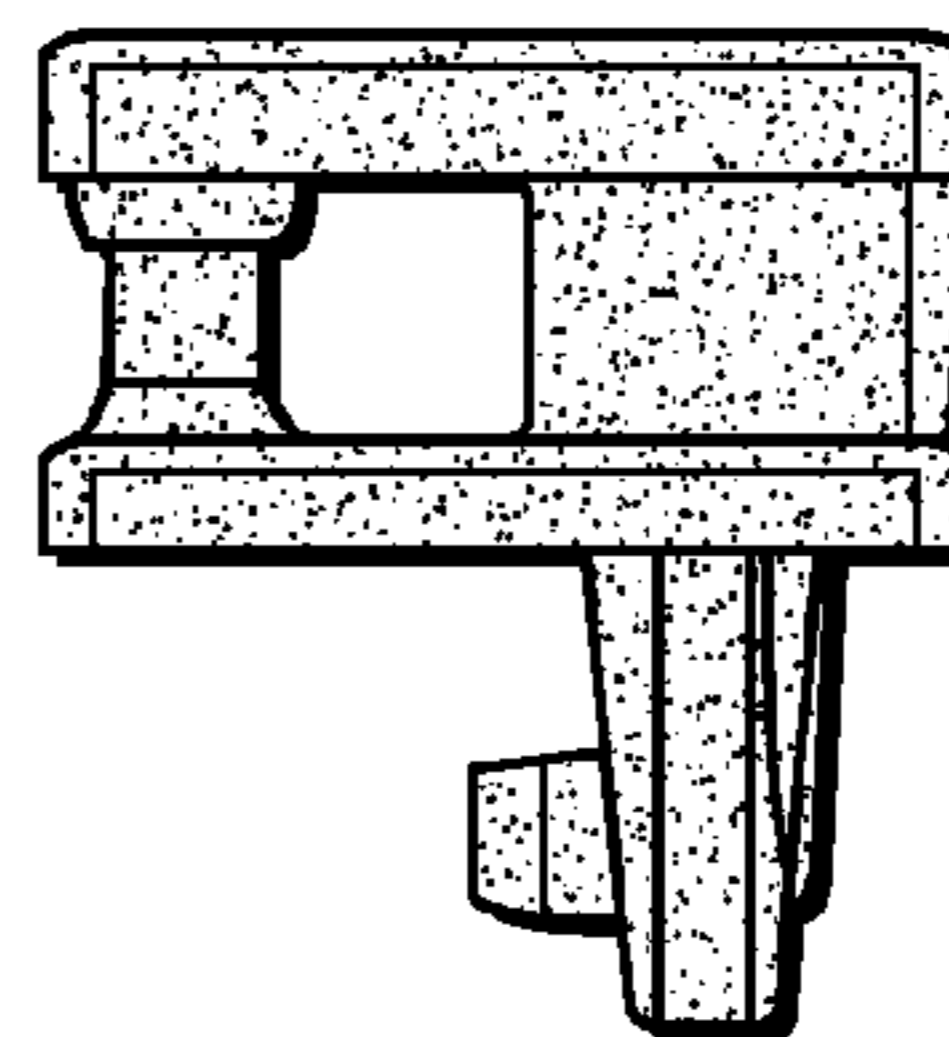


Fig. 7

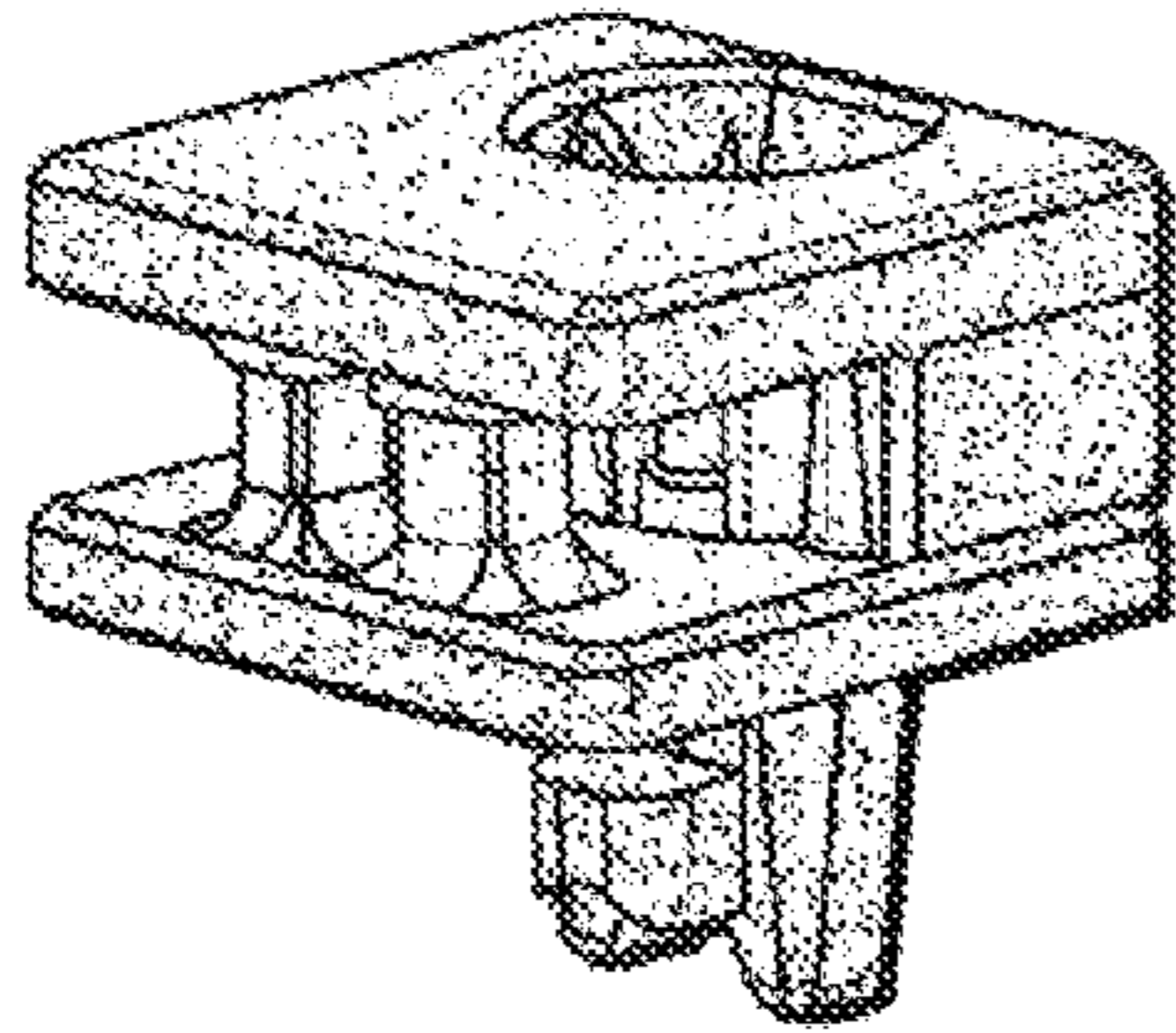


Fig. 8

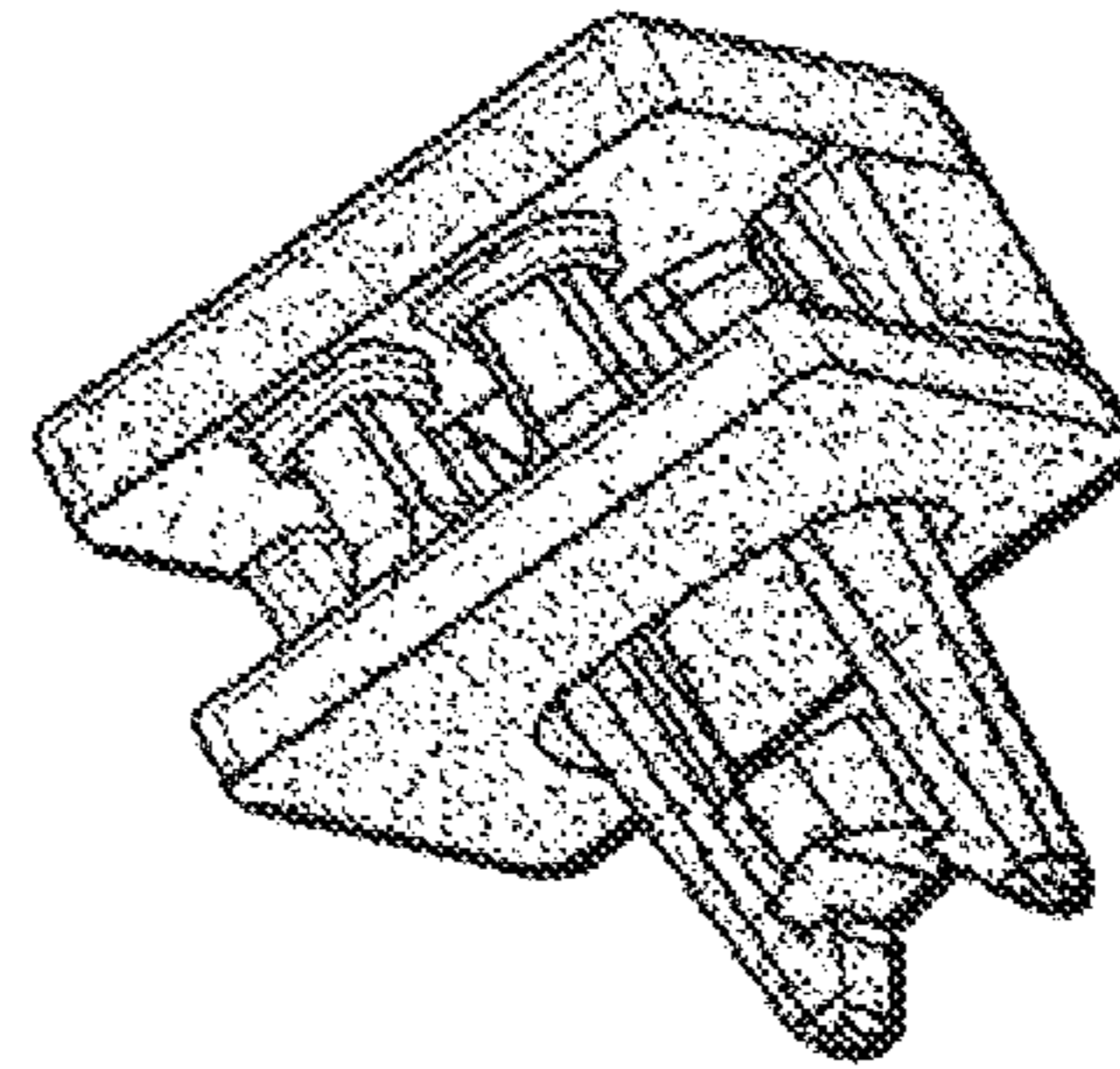


Fig. 9

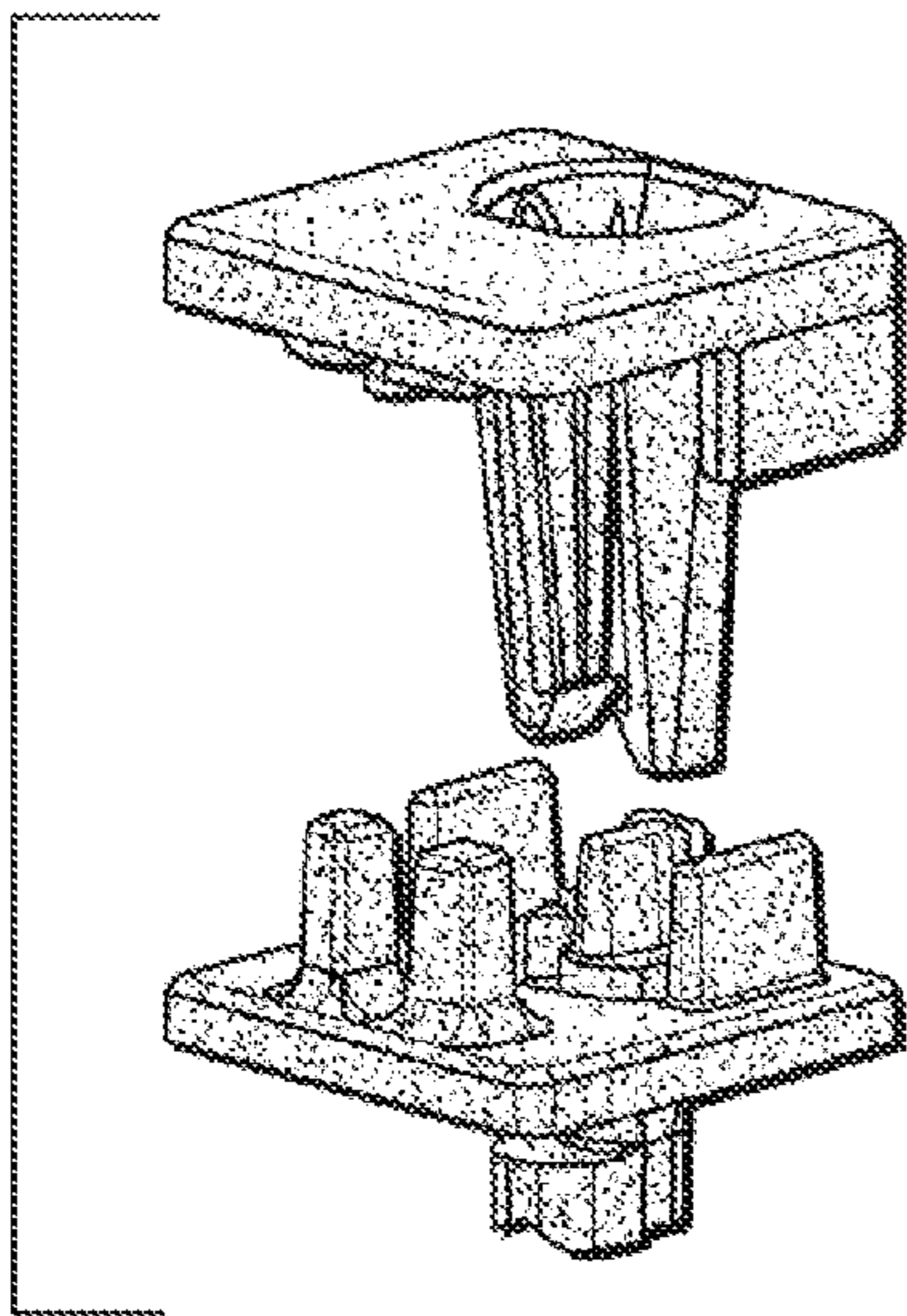


Fig. 10

