



US00D601880S

(12) **United States Design Patent**
Veilleux

(10) **Patent No.:** **US D601,880 S**
(45) **Date of Patent:** **** Oct. 13, 2009**

(54) **J-HOOK**

D597,400 S * 8/2009 Matejcik D8/367

(75) Inventor: **David Veilleux**, Stillwater, MN (US)

* cited by examiner

(73) Assignee: **152310 Canada**, Brossard (CA)

Primary Examiner—Robert M Spear

Assistant Examiner—Barbara B Lohr

(**) Term: **14 Years**

(74) *Attorney, Agent, or Firm*—James A. Italia; Italia IP

(21) Appl. No.: **29/337,893**

(57) **CLAIM**

(22) Filed: **Jun. 1, 2009**

The ornamental design for a J-hook, as shown and described.

(51) **LOC (9) Cl.** **08-05**

DESCRIPTION

(52) **U.S. Cl.** **D8/367**

(58) **Field of Classification Search** D8/367,
D8/371, 373, 382; 205/253; 24/265, 265 H,
24/298, 373, 598.4, 598.7, 599.1, 599.2,
24/599.5, 599.6, 599.7, 599.8, 599.4, 600.1,
24/601.2, 600.3, 600.9; 52/698; 248/328;
472/118; 482/91; 294/82.1, 82.11, 1; 114/249;
428/100

FIG. 1 is a perspective view of a J-hook, showing my new design;

FIG. 2 is a front elevational view of the invention;

FIG. 3 is a rear elevational view of the invention;

FIG. 4 is a left-side elevational view of the invention;

FIG. 5 is a right-side elevational view of the invention;

FIG. 6 is a top plan view of the invention;

FIG. 7 is a bottom plan view of the invention; and,

FIG. 8 is a perspective view, showing a further embodiment of the invention.

See application file for complete search history.

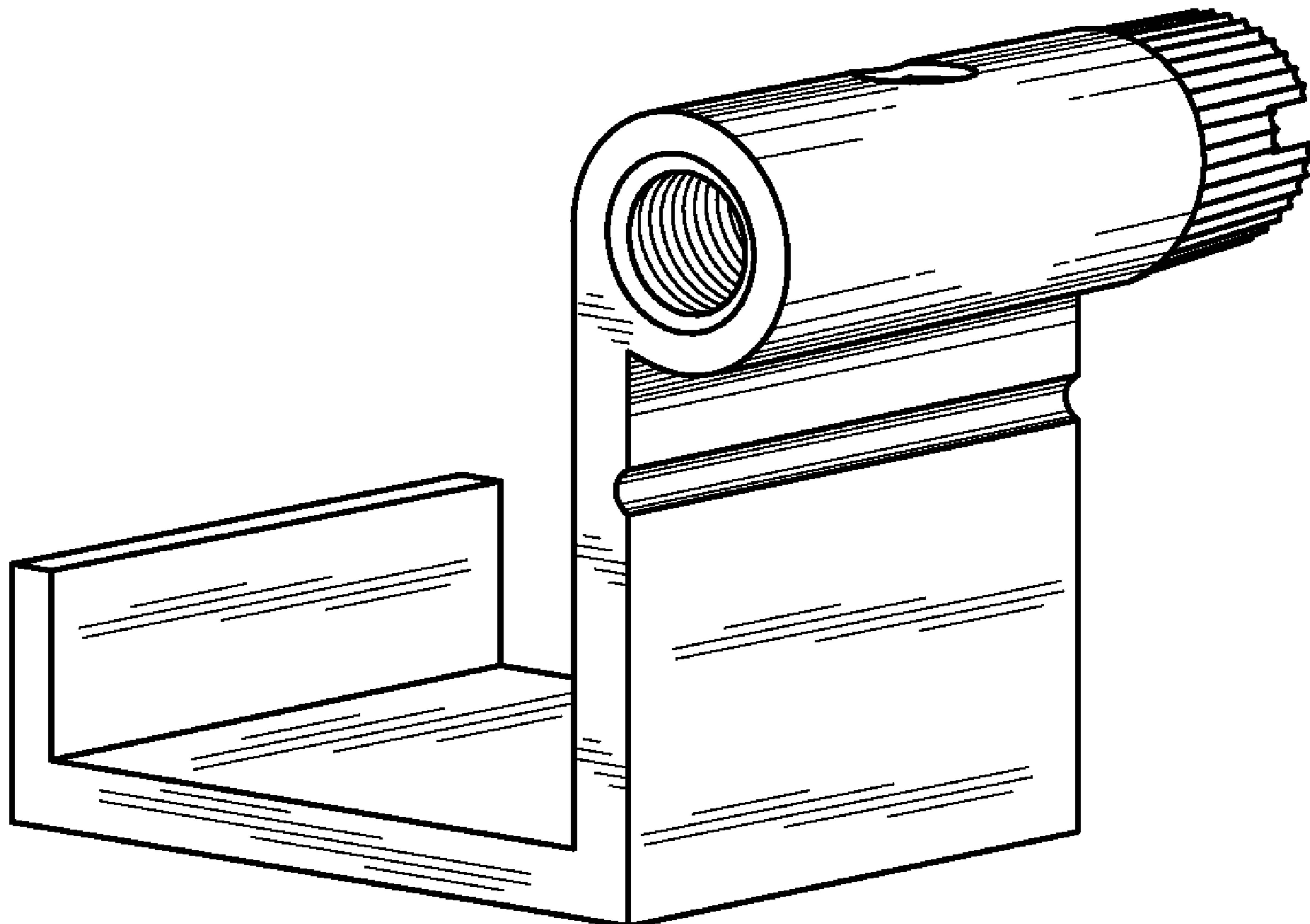
(56) **References Cited**

U.S. PATENT DOCUMENTS

D579,322 S * 10/2008 Newbould et al. D8/367

D584,939 S * 1/2009 Snell D8/367

1 Claim, 3 Drawing Sheets



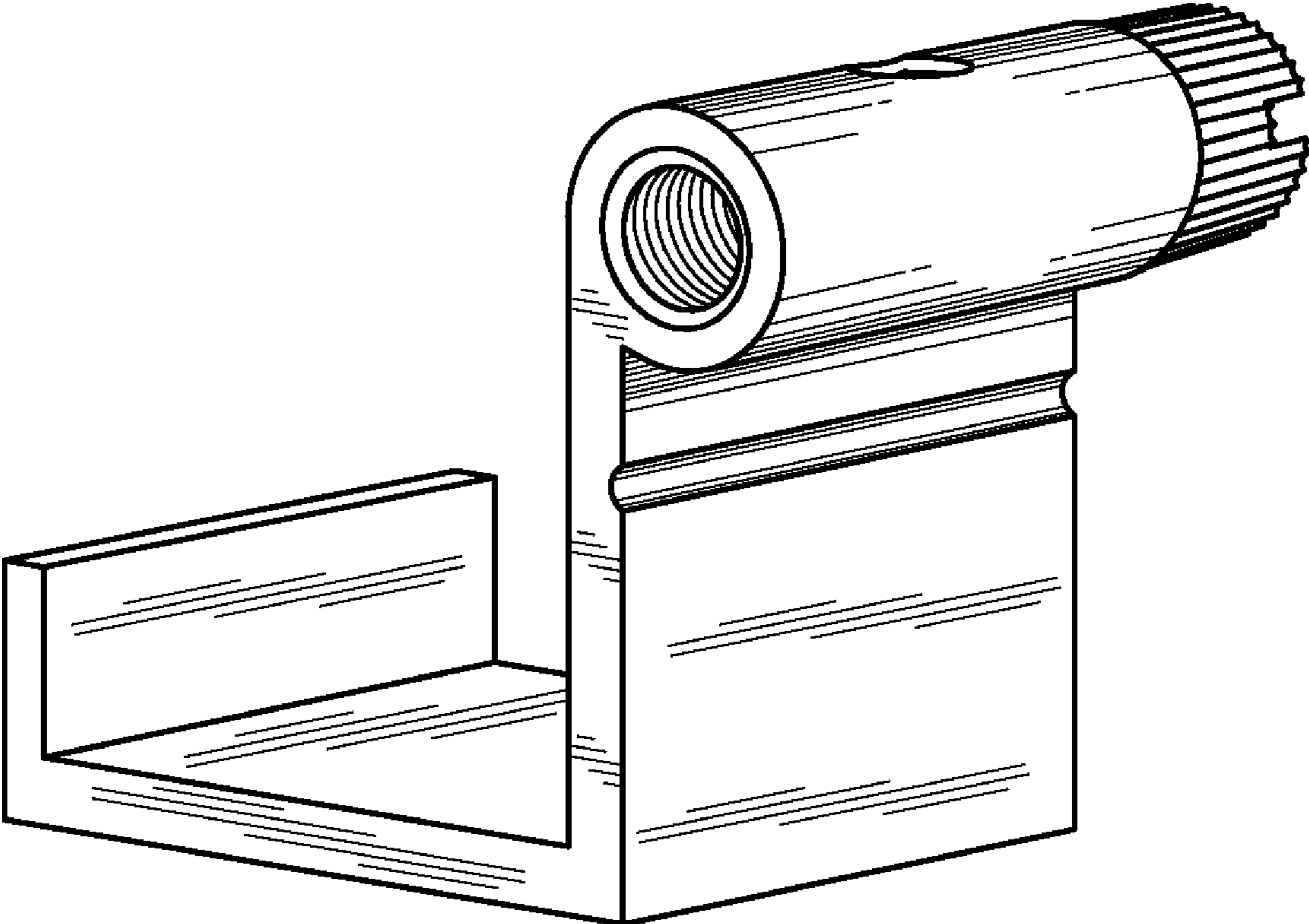


FIG. 1

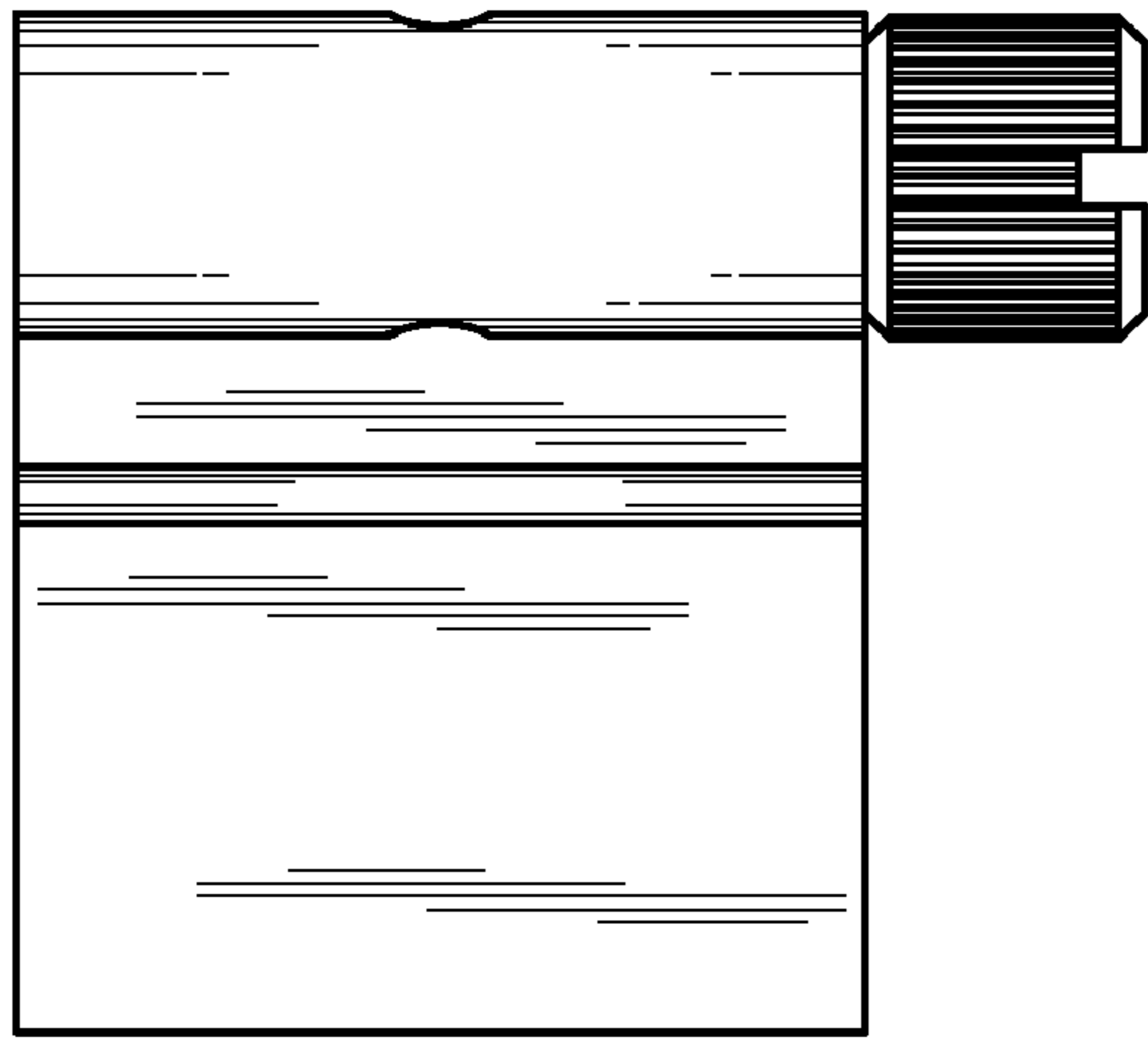


FIG. 2

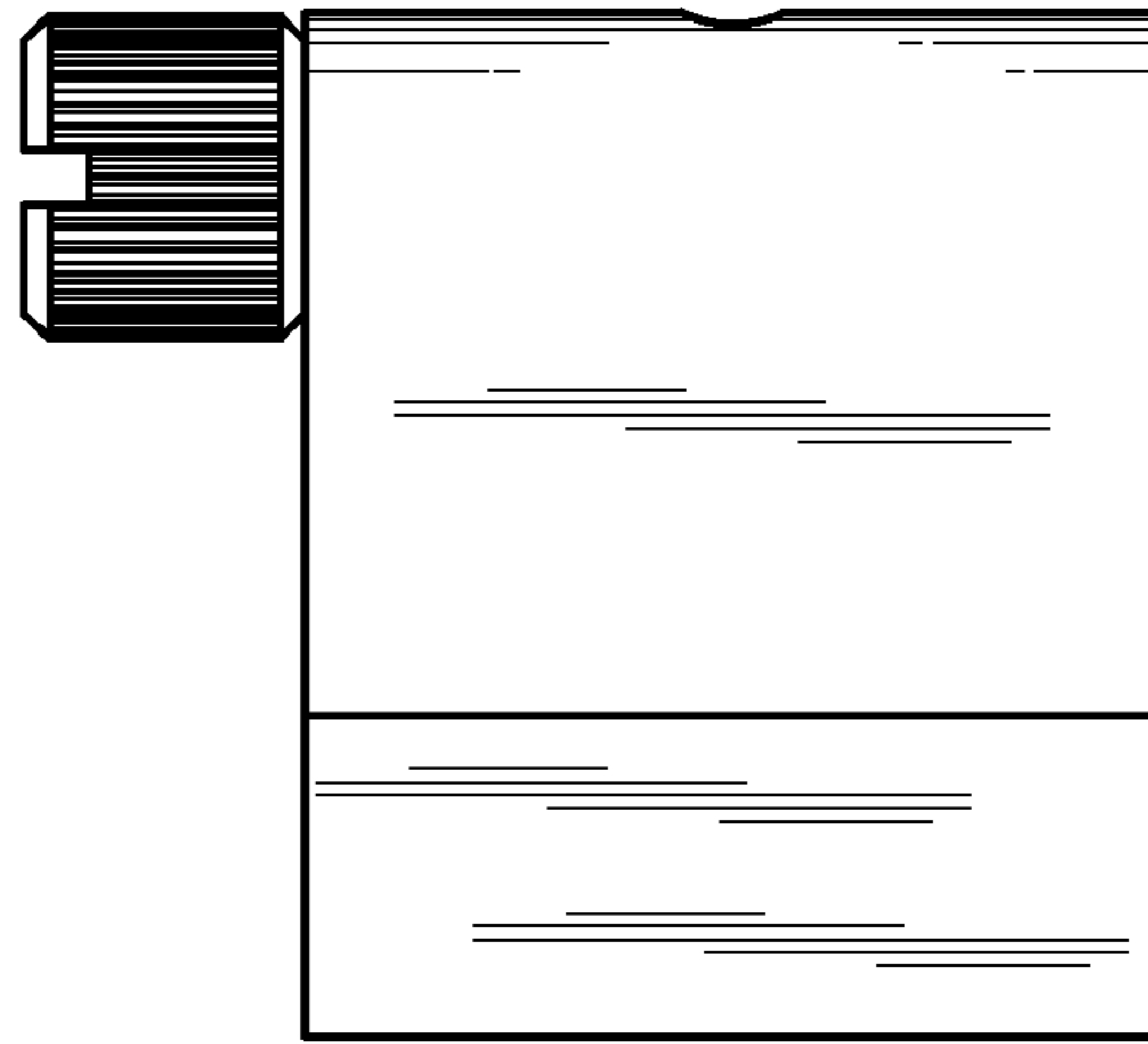


FIG. 3

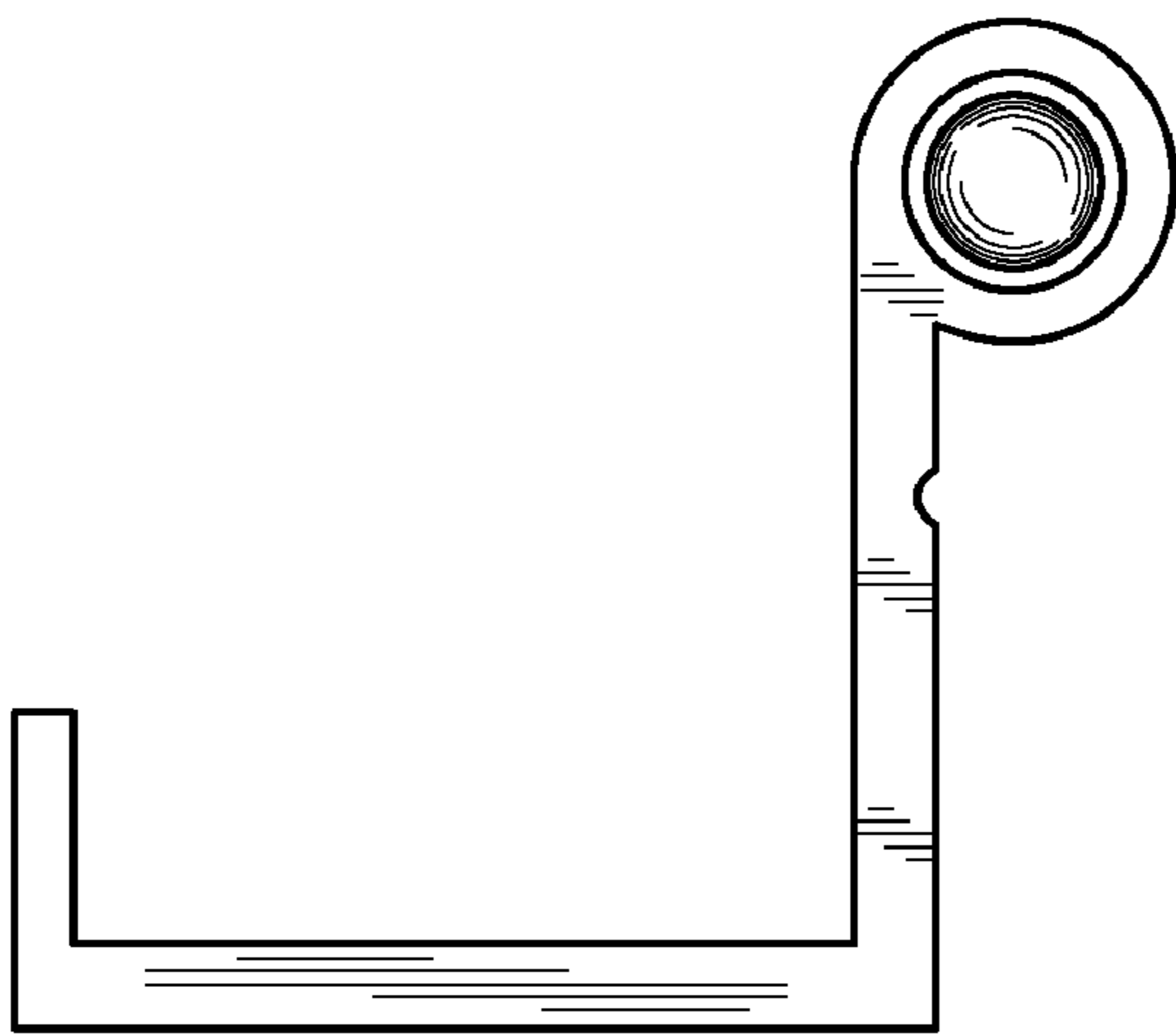


FIG. 4

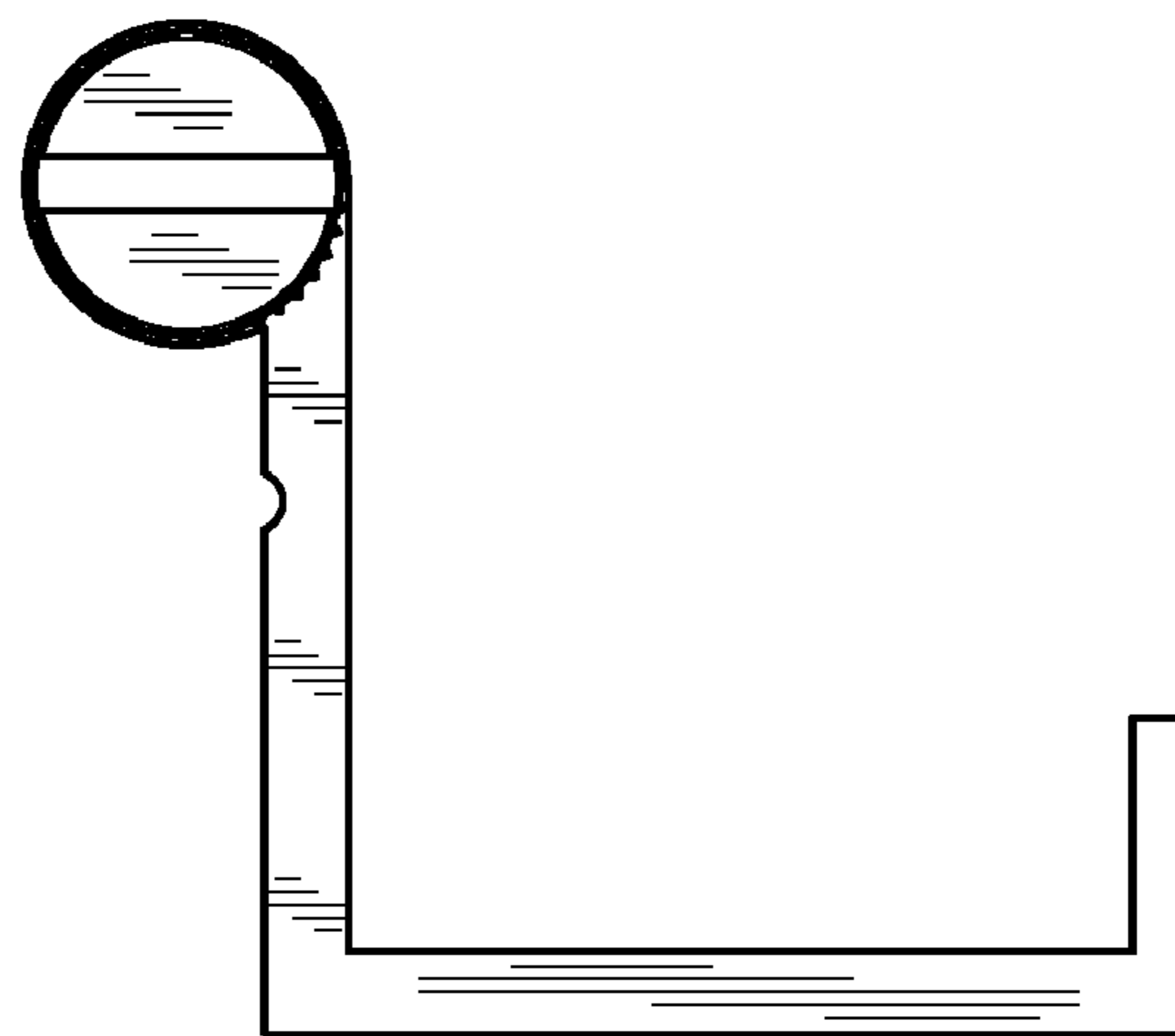


FIG. 5

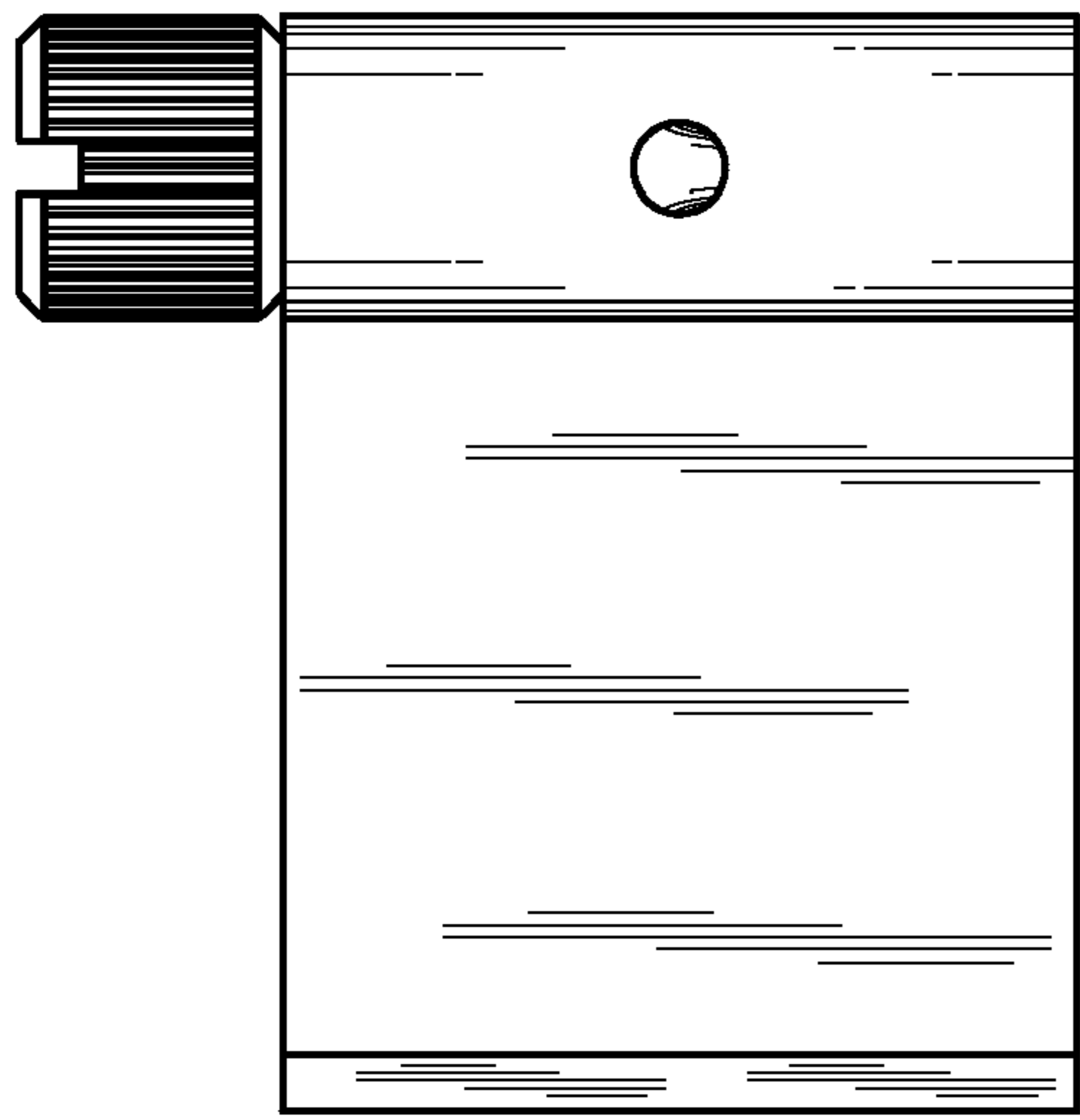


FIG. 6

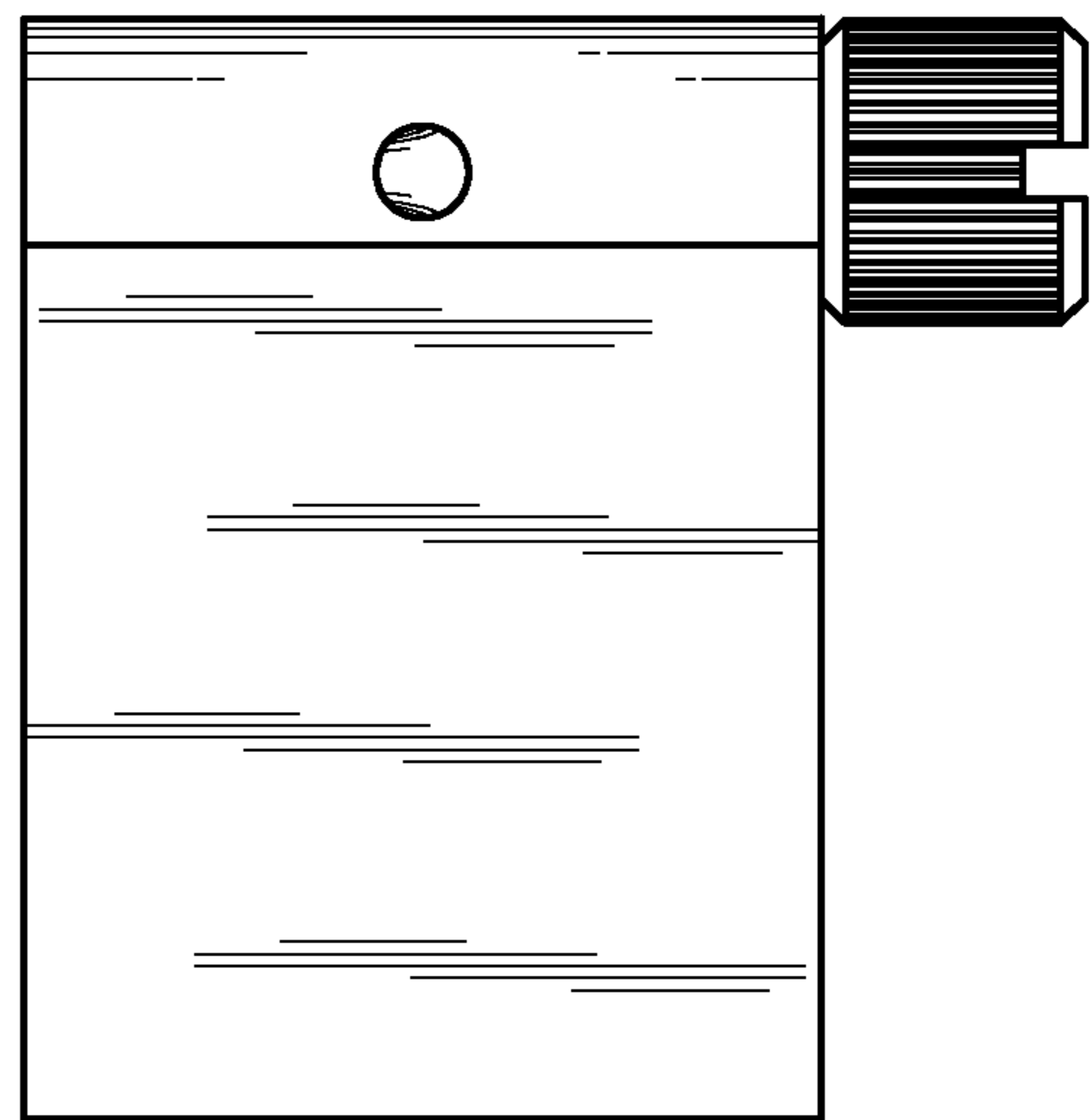


FIG. 7

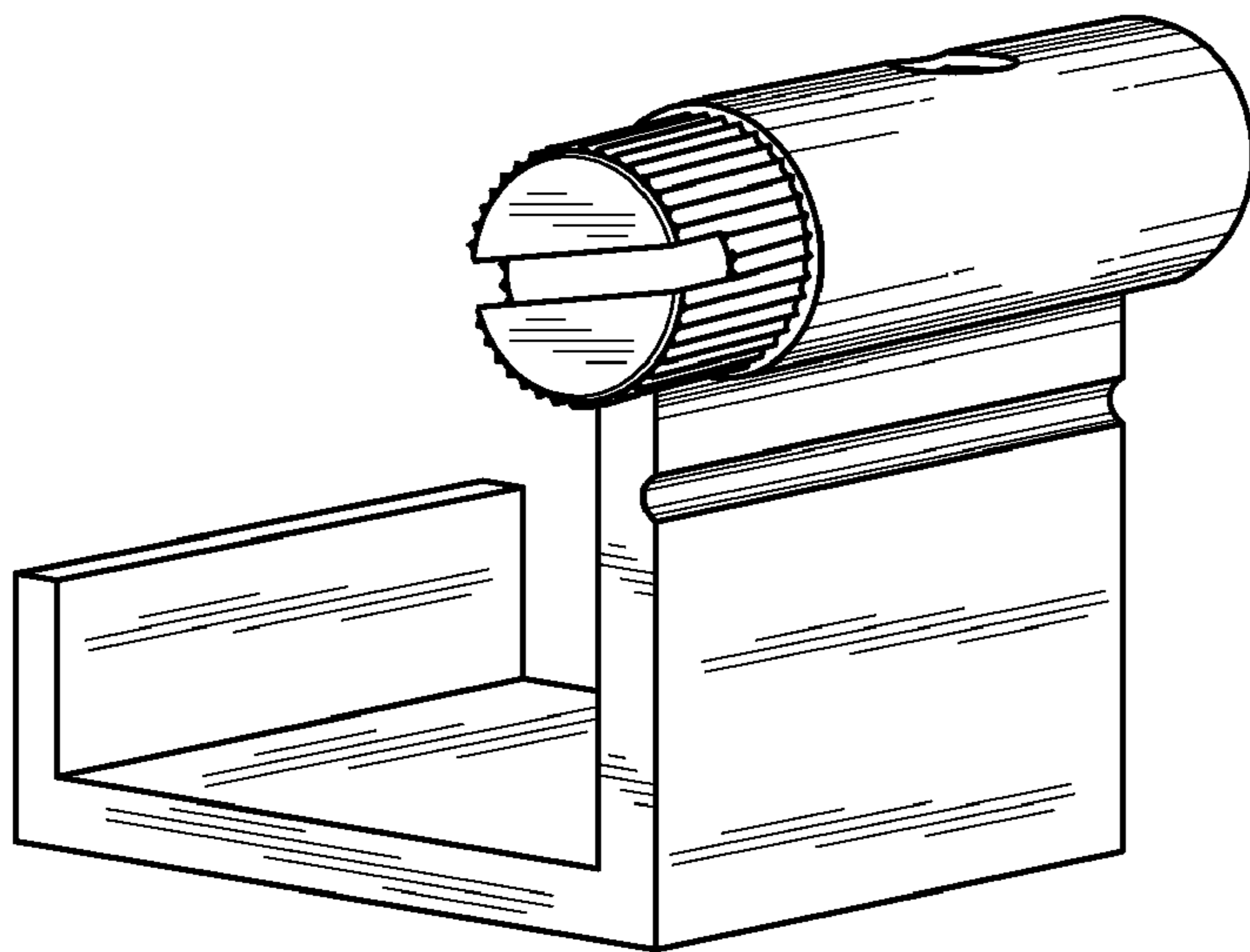


FIG. 8