



US00D601877S

(12) **United States Design Patent**  
**Mitchell et al.**

(10) **Patent No.:** **US D601,877 S**

(45) **Date of Patent:** **\*\* Oct. 13, 2009**

(54) **RADIO FREQUENCY IDENTIFICATION TRIM PIECE**

(75) Inventors: **Ernst K. Mitchell**, Sterling Heights, MI (US); **Glenn L. Peacock**, Farmington Hills, MI (US)

(73) Assignee: **Computerized Security Systems, Inc.**, Troy, MI (US)

(\*\*) Term: **14 Years**

(21) Appl. No.: **29/271,973**

(22) Filed: **Jan. 30, 2007**

(51) **LOC (9) Cl.** ..... **08-07**

(52) **U.S. Cl.** ..... **D8/343; D8/330**

(58) **Field of Classification Search** ..... D8/330, D8/331, 339-345; 70/91, 101, 102, 104, 70/106, 107, 158, 277-279, 287, 288, 218-220, 70/DIG. 67, 451; 282/169, 332, 333, 32, 282/14, 37; 235/449, 435, 475

See application file for complete search history.

(56) **References Cited**

U.S. PATENT DOCUMENTS

D288,899 S \* 3/1987 Floyd et al. .... D8/330  
5,475,996 A \* 12/1995 Chen ..... 70/279.1  
5,809,812 A \* 9/1998 Gallego ..... 70/107

D405,345 S \* 2/1999 Hankel et al. .... D8/331  
D484,389 S \* 12/2003 Evans ..... D8/331  
6,733,050 B1 \* 5/2004 Yao ..... 292/169  
6,759,070 B1 \* 7/2004 Narayanaswamy et al. . 426/128  
D501,131 S \* 1/2005 Oskamp et al. .... D8/331  
D569,221 S \* 5/2008 Mitchell et al. .... D8/330

\* cited by examiner

*Primary Examiner*—Prabhakar Deshmukh

(74) *Attorney, Agent, or Firm*—Carlson, Gaskey & Olds PC

(57) **CLAIM**

The ornamental design for radio frequency identification trim piece, as shown and described.

**DESCRIPTION**

FIG. 1 is a perspective view of a radio frequency identification trim piece showing our new design.

FIG. 2 is a top plan view thereof.

FIG. 3 is a bottom plan view thereof.

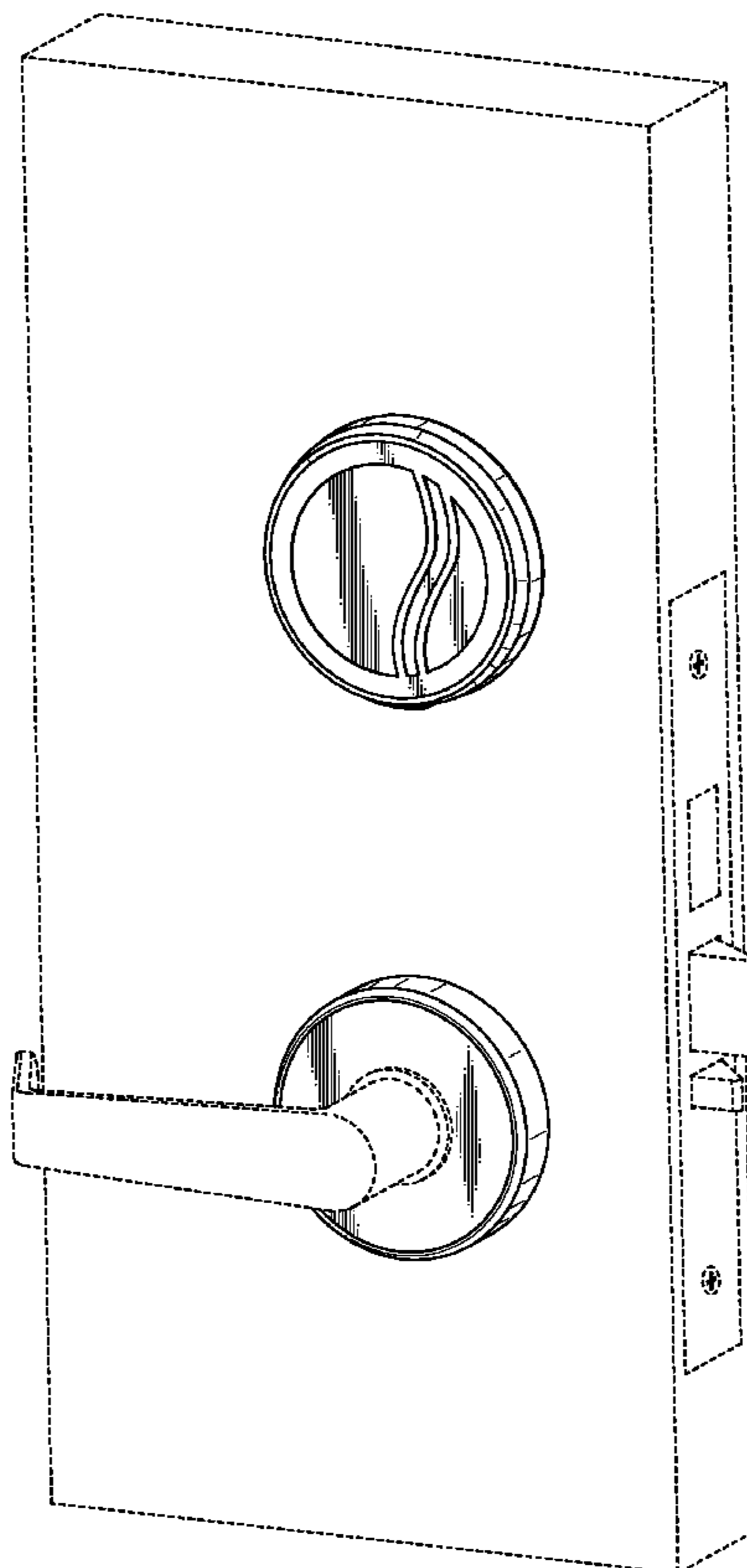
FIG. 4 is a left side elevational view thereof.

FIG. 5 is a front elevational view thereof; and,

FIG. 6 is a right side elevational view thereof.

The broken lines environment is for illustrative purpose only and forms no part of the claimed design.

**1 Claim, 6 Drawing Sheets**



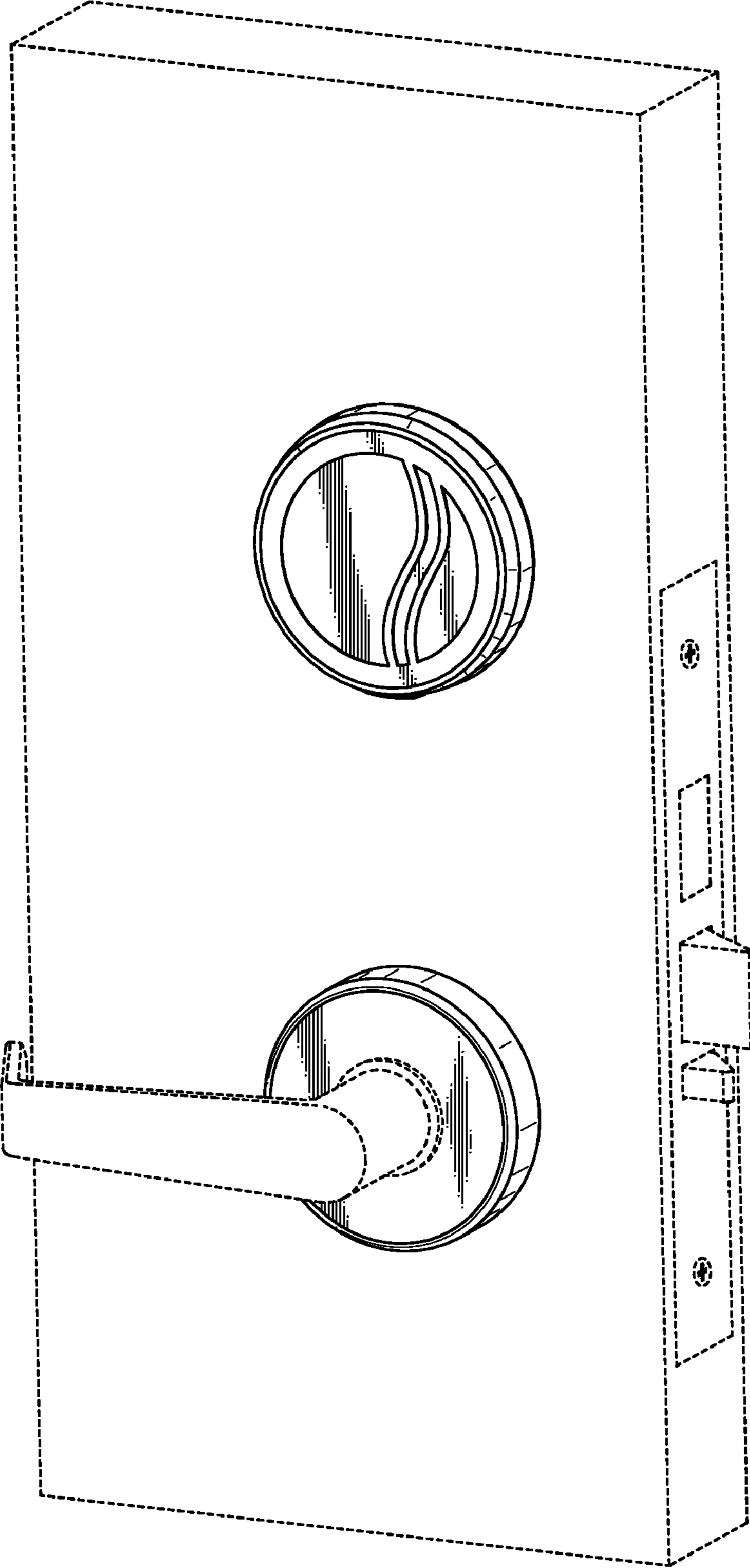


FIG.1

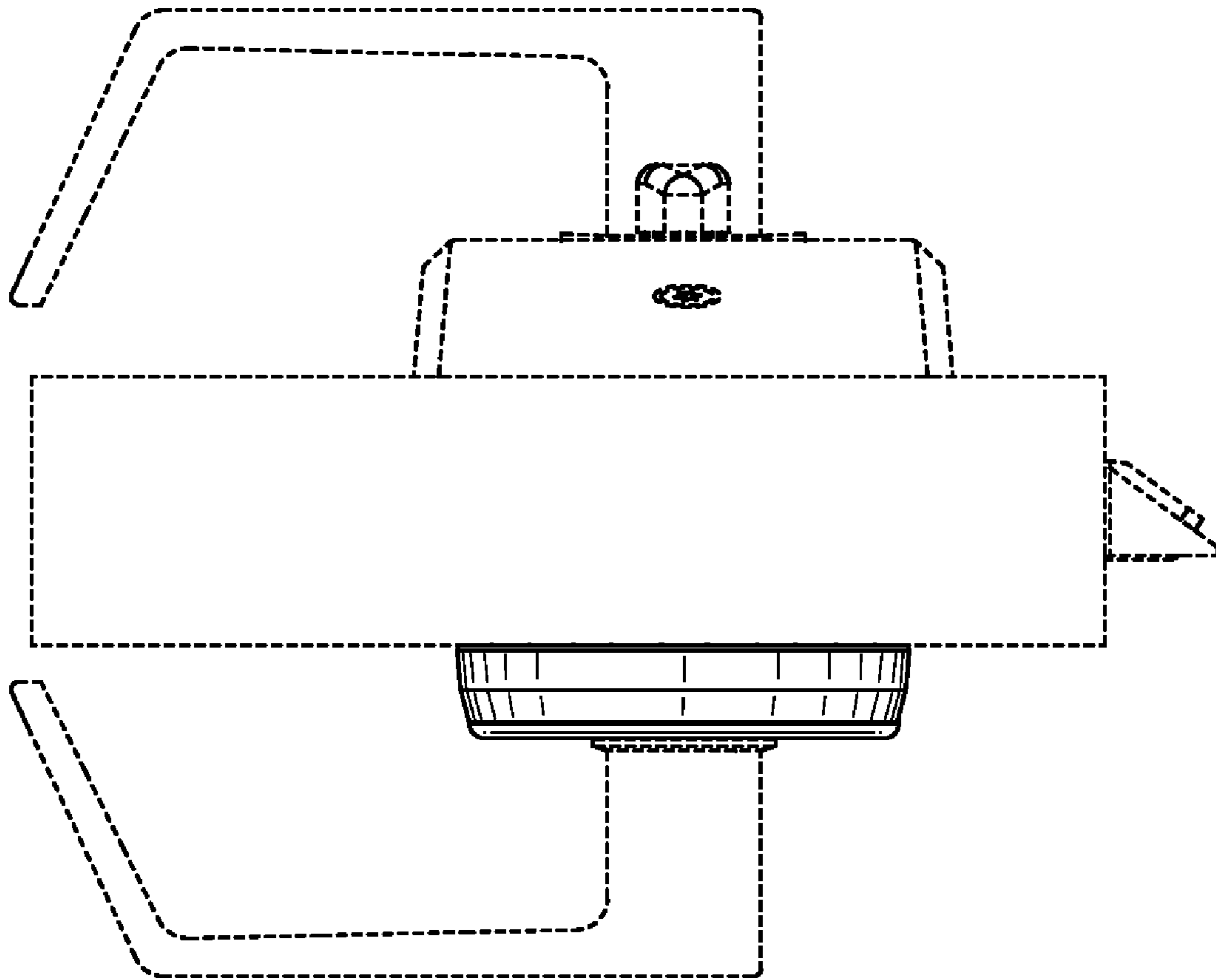


FIG. 2

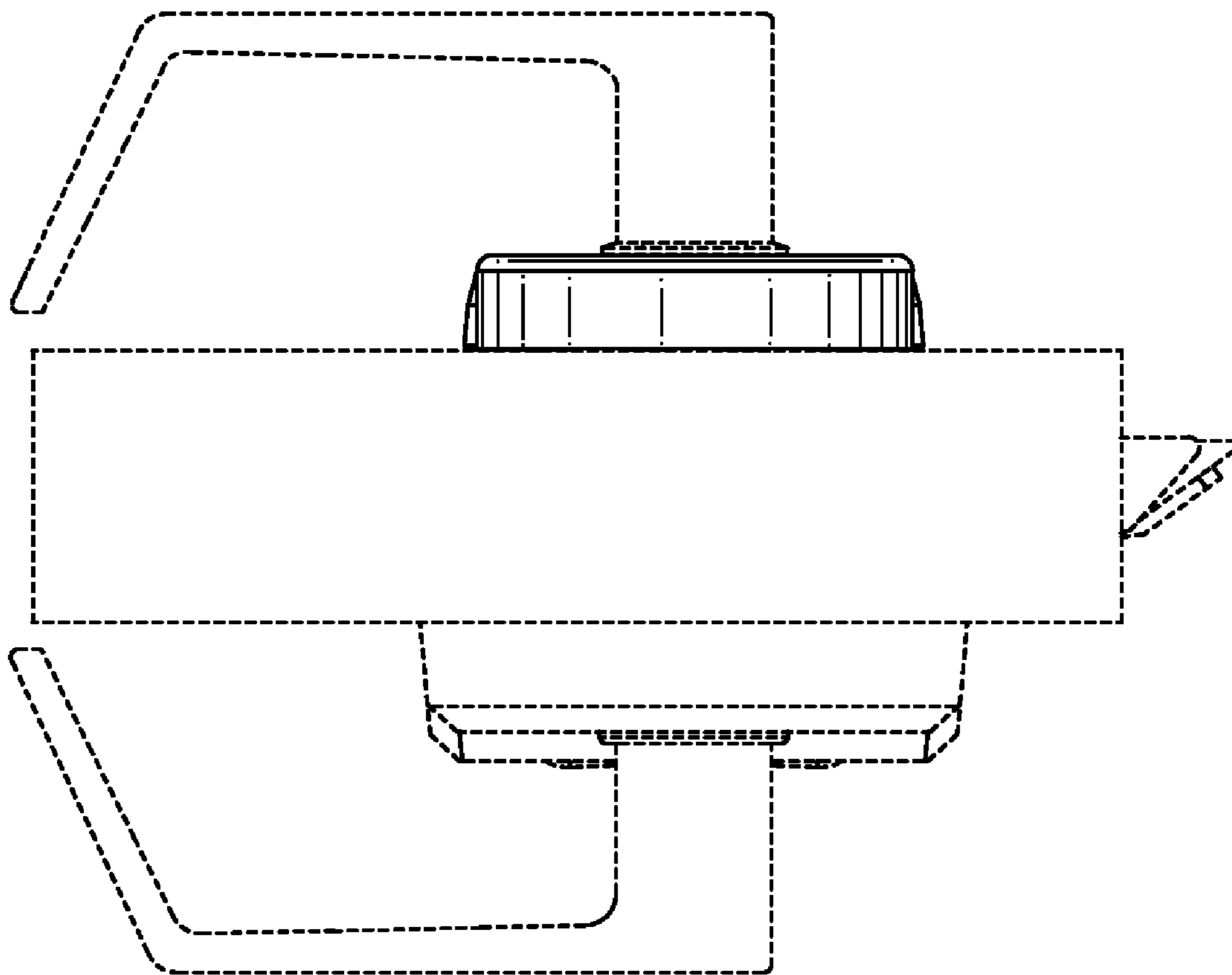


FIG.3

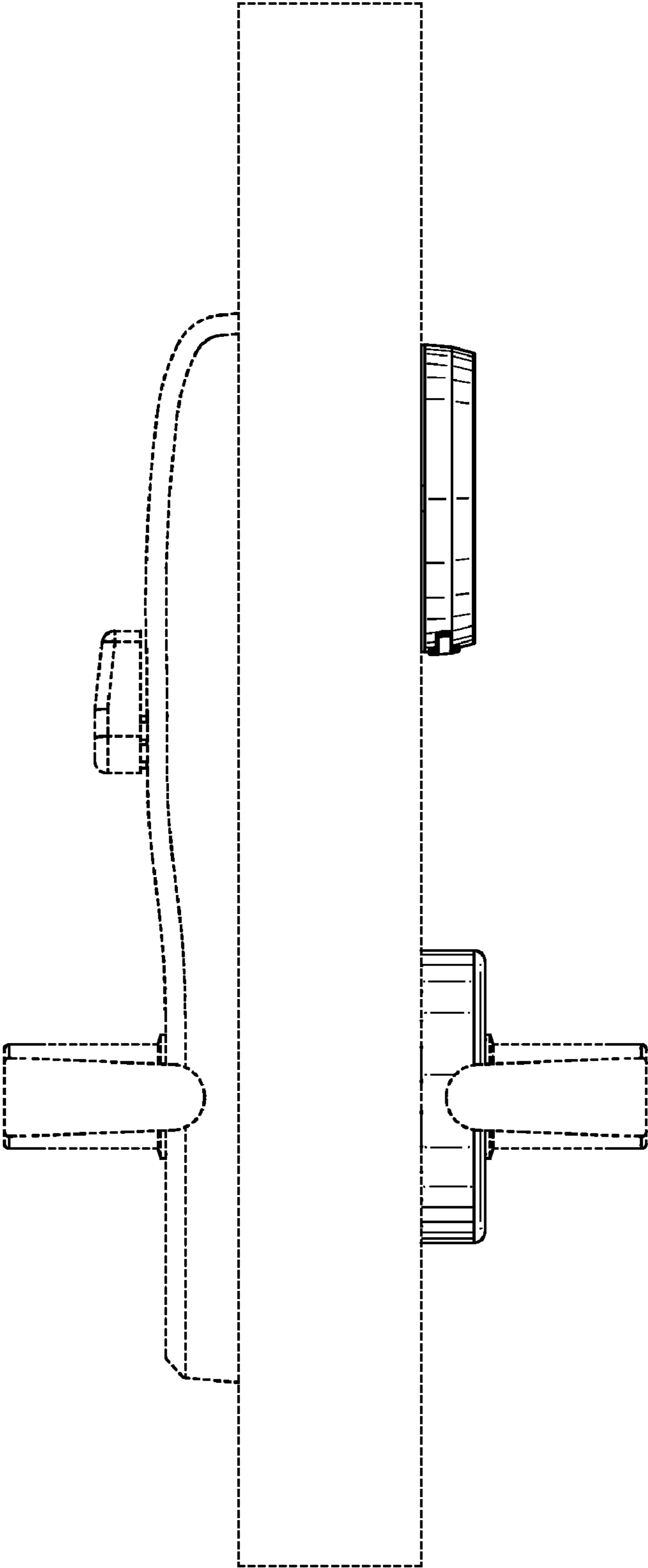


FIG.4

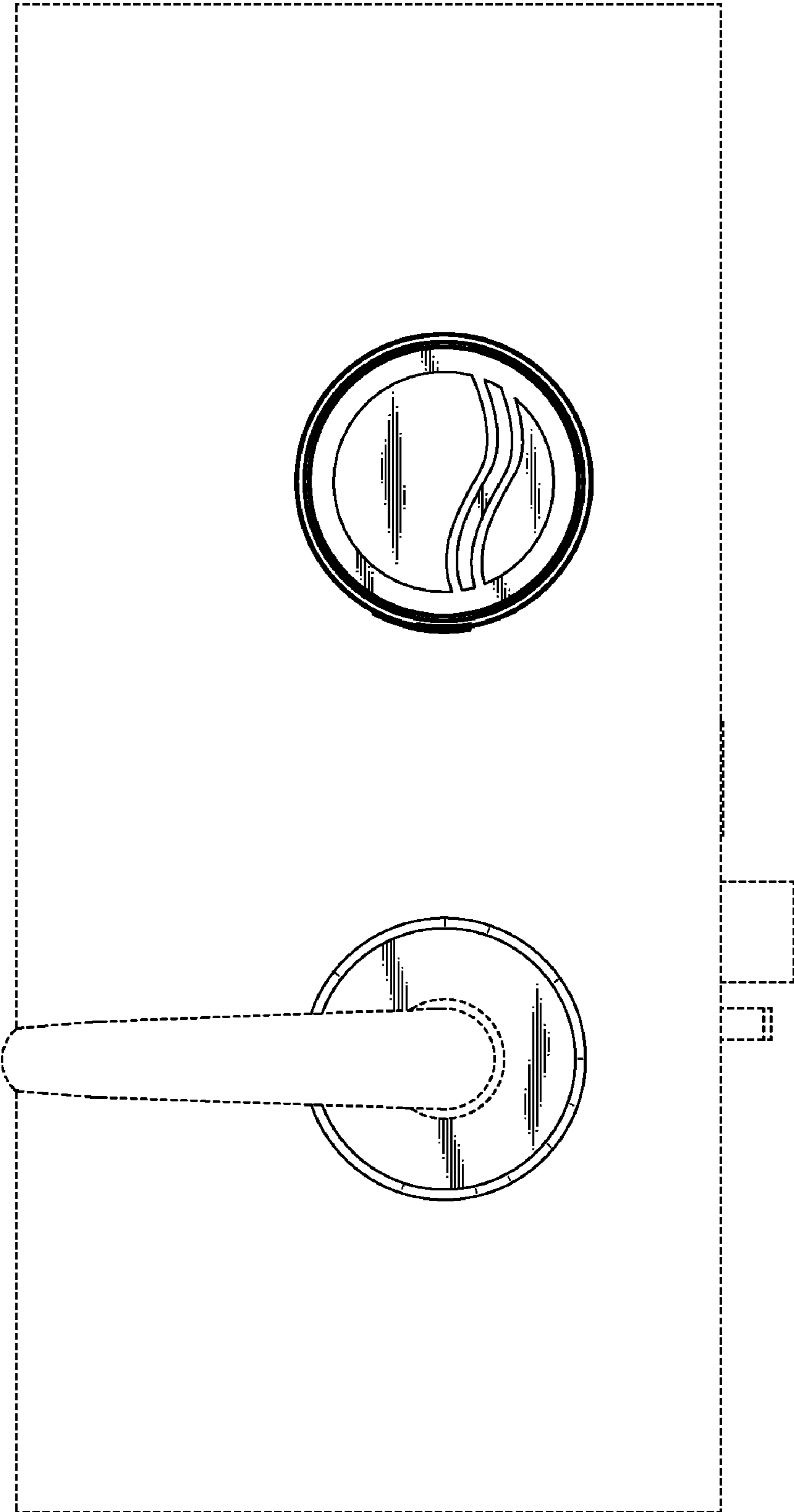
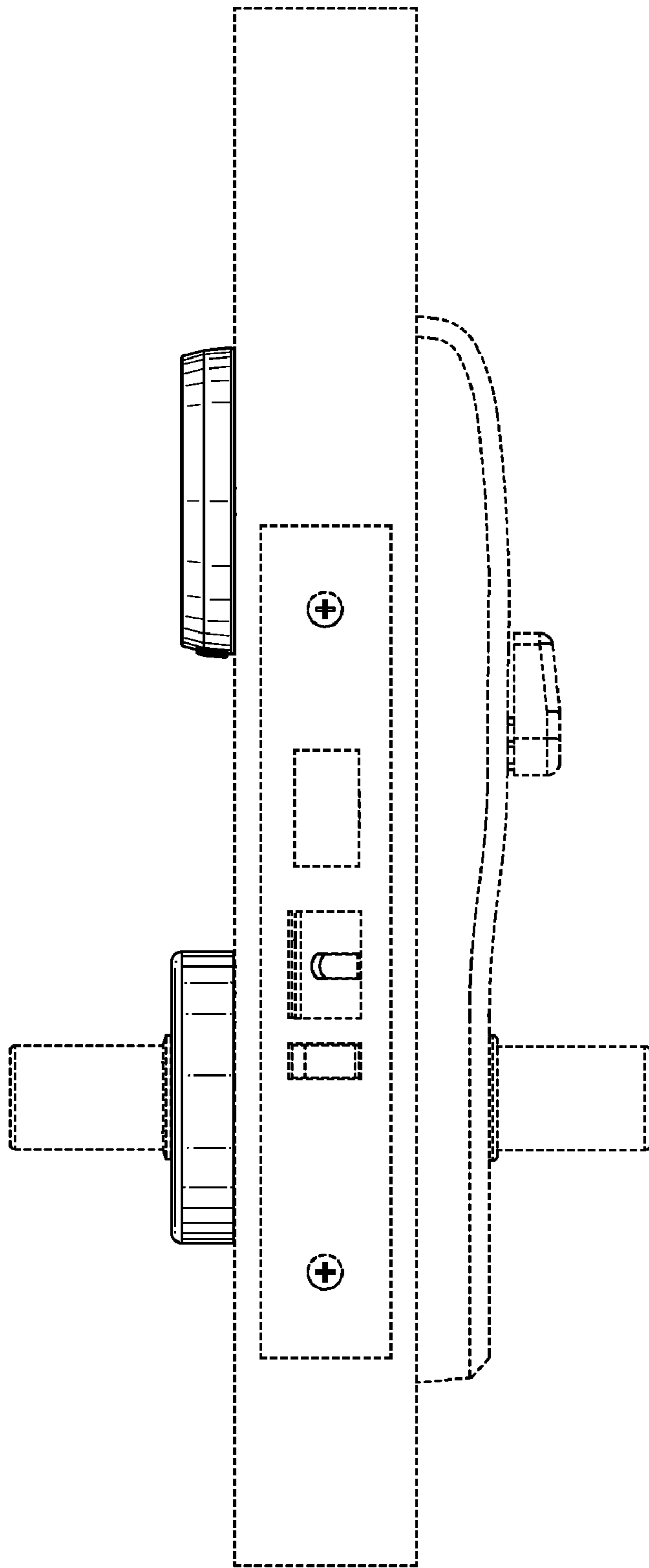


FIG.5



**FIG.6**

UNITED STATES PATENT AND TRADEMARK OFFICE  
**CERTIFICATE OF CORRECTION**

PATENT NO. : Des. 601,877 S  
APPLICATION NO. : 29/271973  
DATED : October 13, 2009  
INVENTOR(S) : Mitchell et al.

Page 1 of 1

It is certified that error appears in the above-identified patent and that said Letters Patent is hereby corrected as shown below:

Title page, item [54] and col. 1, line 5

The Title should read as follows:

RADIO FREQUENCY IDENTIFICATION TRIM PIECE FOR A DOOR

Signed and Sealed this

Twenty-second Day of December, 2009

A handwritten signature in black ink that reads "David J. Kappos". The signature is written in a cursive, slightly slanted style.

David J. Kappos  
*Director of the United States Patent and Trademark Office*