



US00D601874S

(12) **United States Design Patent**
Hayakawa et al.

(10) **Patent No.:** **US D601,874 S**
(45) **Date of Patent:** **** Oct. 13, 2009**

(54) **PORTABLE ELECTRIC PLANER**

(75) Inventors: **Naohiro Hayakawa**, Anjo (JP);
Masahiko Inai, Anjo (JP); **Masanori Hayashi**, Anjo (JP); **Yuki Wada**, Anjo (JP)

(73) Assignee: **Makita Corporation**, Anjo (JP)

(**) Term: **14 Years**

(21) Appl. No.: **29/338,731**

(22) Filed: **Jun. 17, 2009**

(30) **Foreign Application Priority Data**

Jan. 9, 2009 (JP) 2009-000327

(51) **LOC (9) Cl.** **08-01**

(52) **U.S. Cl.** **D8/62**

(58) **Field of Classification Search** D8/67,
D8/62, 61, 70; D32/15, 17, 19; D4/102;
451/456, 451, 359, 358, 357, 356, 355, 364,
451/344; 144/154.5, 373; 30/475

See application file for complete search history.

(56) **References Cited**

U.S. PATENT DOCUMENTS

| | | | | |
|-----------|------|---------|---------------------------|-----------|
| 4,442,878 | A * | 4/1984 | Moriguchi et al. | 30/475 |
| D282,236 | S * | 1/1986 | Shohoji et al. | D8/61 |
| 4,584,772 | A * | 4/1986 | Bergler | 30/475 |
| 5,094,000 | A * | 3/1992 | Becht et al. | 30/475 |
| 5,815,934 | A * | 10/1998 | Eichberger et al. | 30/475 |
| D413,779 | S * | 9/1999 | Hayakawa et al. | D8/62 |
| D475,594 | S * | 6/2003 | Bian | D8/62 |
| D478,261 | S * | 8/2003 | Sham | D8/62 |
| 6,612,089 | B1 * | 9/2003 | Mann | 52/749.1 |
| 6,688,349 | B2 * | 2/2004 | Roshilavati Razlan et al. | 144/154.5 |
| D492,563 | S * | 7/2004 | Wright | D8/62 |
| D495,574 | S * | 9/2004 | Schoen | D8/62 |
| D501,775 | S * | 2/2005 | Tillman et al. | D8/62 |
| D508,833 | S * | 8/2005 | Brazell et al. | D8/62 |
| D509,117 | S * | 9/2005 | Tillman et al. | D8/62 |

| | | | | |
|--------------|------|---------|-----------------|------------|
| D509,721 | S * | 9/2005 | Park | D8/62 |
| D512,619 | S * | 12/2005 | Aglassinger | D8/62 |
| D528,388 | S * | 9/2006 | Andriolo et al. | D8/62 |
| D529,357 | S * | 10/2006 | Qiu | D8/62 |
| D540,133 | S * | 4/2007 | Corcoran | D8/62 |
| 2003/0168122 | A1 * | 9/2003 | Razlan et al. | 144/154.5 |
| 2004/0068875 | A1 * | 4/2004 | Wang | 30/207 |
| 2004/0149351 | A1 * | 8/2004 | Thomas | 144/136.95 |
| 2005/0034782 | A1 * | 2/2005 | Park et al. | 144/154.5 |
| 2005/0274433 | A1 * | 12/2005 | Thomas | 144/252.1 |
| 2005/0284543 | A1 * | 12/2005 | Kaiser | 144/373 |

FOREIGN PATENT DOCUMENTS

JP S-1295790 3/2007

OTHER PUBLICATIONS

Makita's Planers Brochure; printed in Apr. 1976.

* cited by examiner

Primary Examiner—Cathron C Brooks

Assistant Examiner—Austin Murphy

(74) *Attorney, Agent, or Firm*—Oliff & Berridge, PLC

(57) **CLAIM**

The ornamental design for a portable electric planer, as shown and described.

DESCRIPTION

FIG. 1 is a perspective view of top, front and left side of a portable electric planer showing our new design;

FIG. 2 is a front view thereof;

FIG. 3 is a rear view thereof;

FIG. 4 is a top plan view thereof;

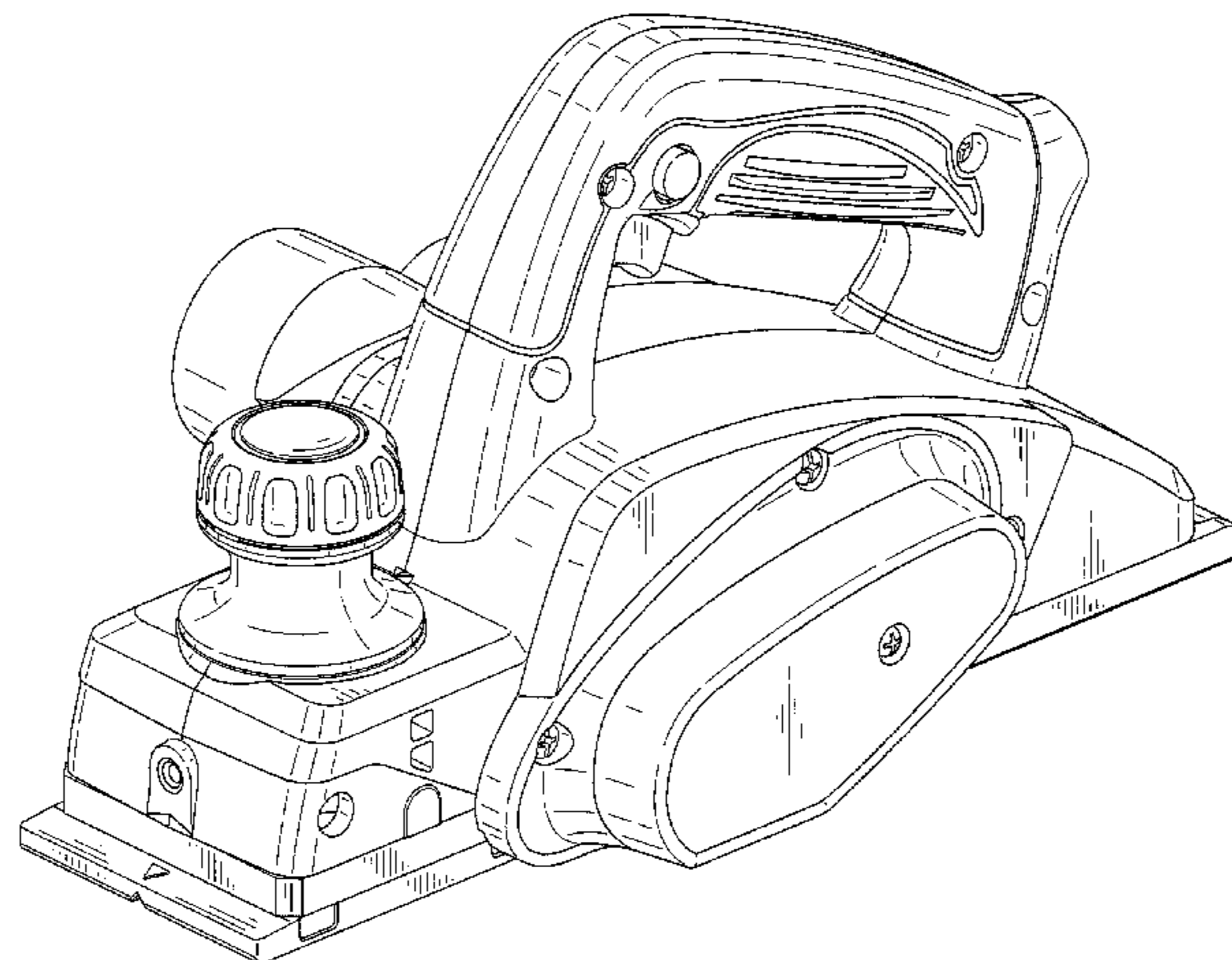
FIG. 5 is a bottom view thereof;

FIG. 6 is a left side view thereof; and,

FIG. 7 is a right side view thereof.

The portion of the article in broken lines are shown for illustrative purposes only and form no part of the claimed design.

1 Claim, 7 Drawing Sheets



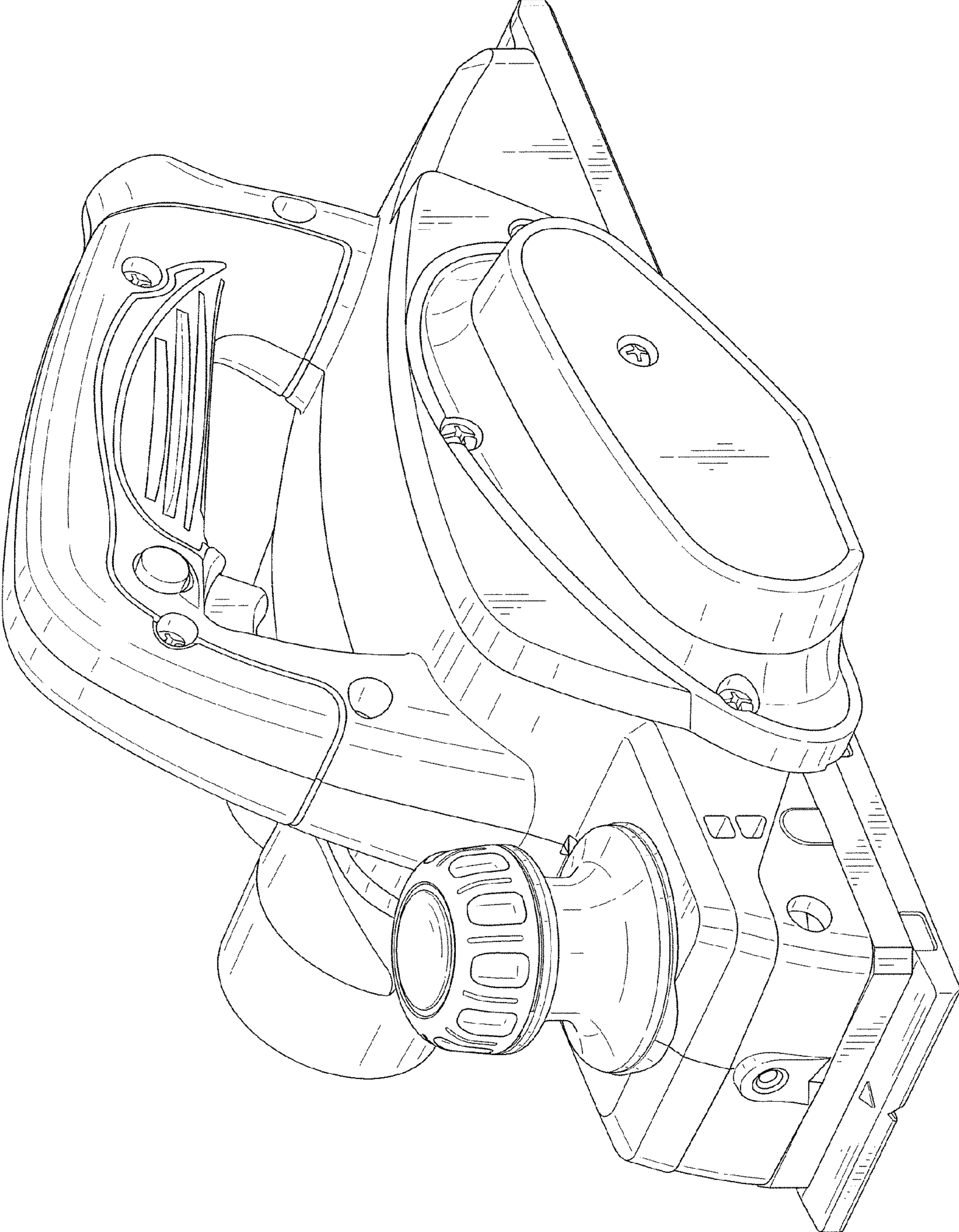


FIG. 1

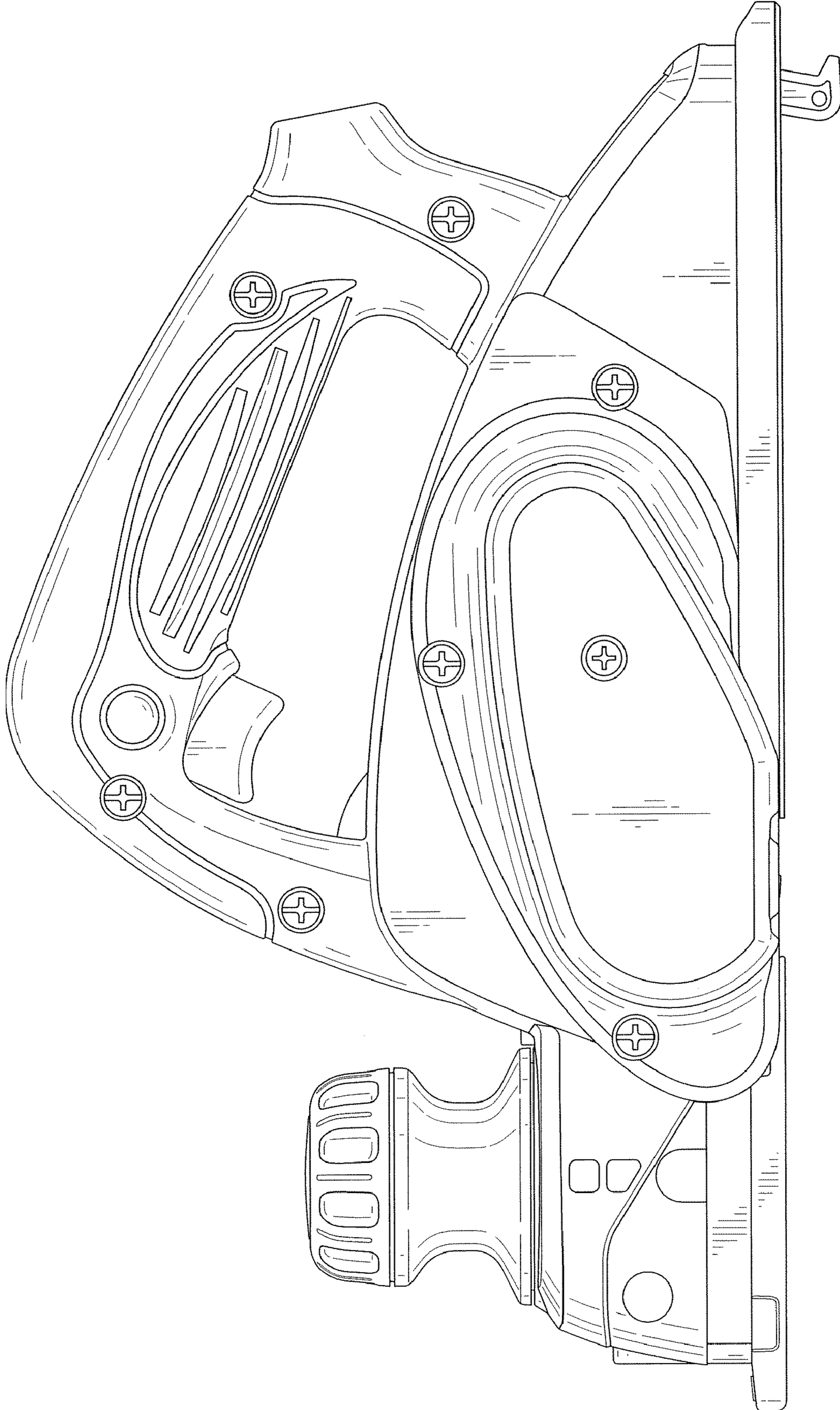


FIG. 2

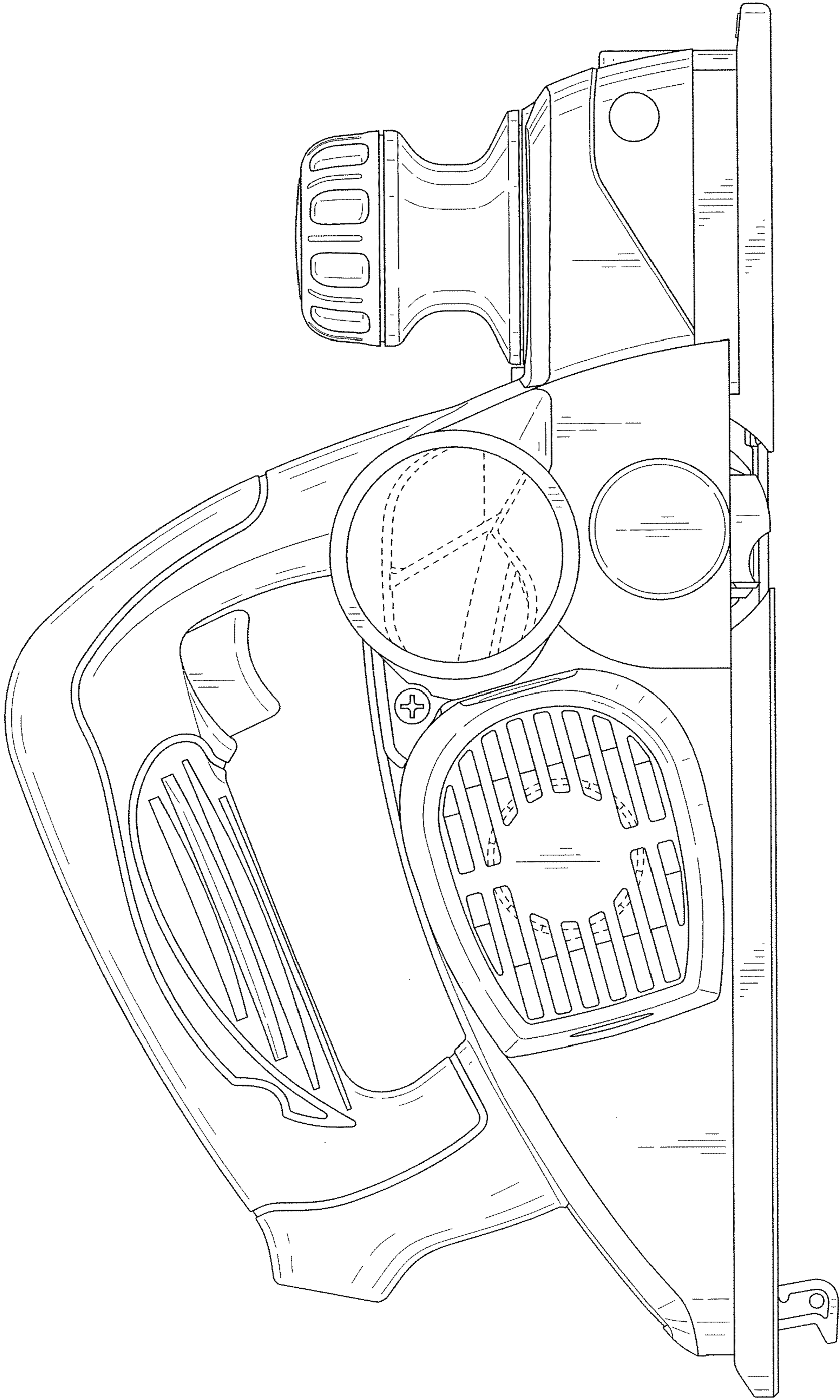


FIG. 3

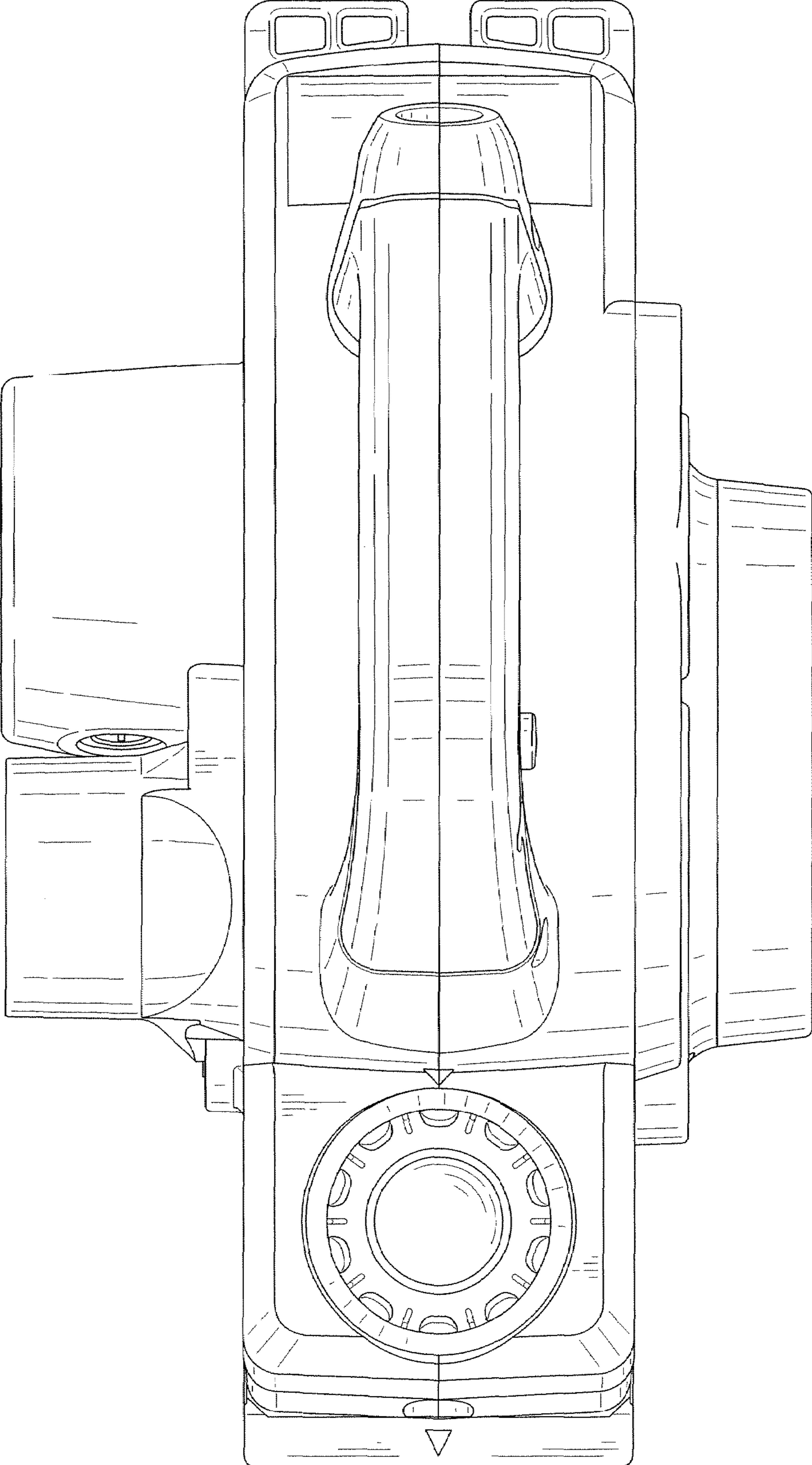


FIG. 4

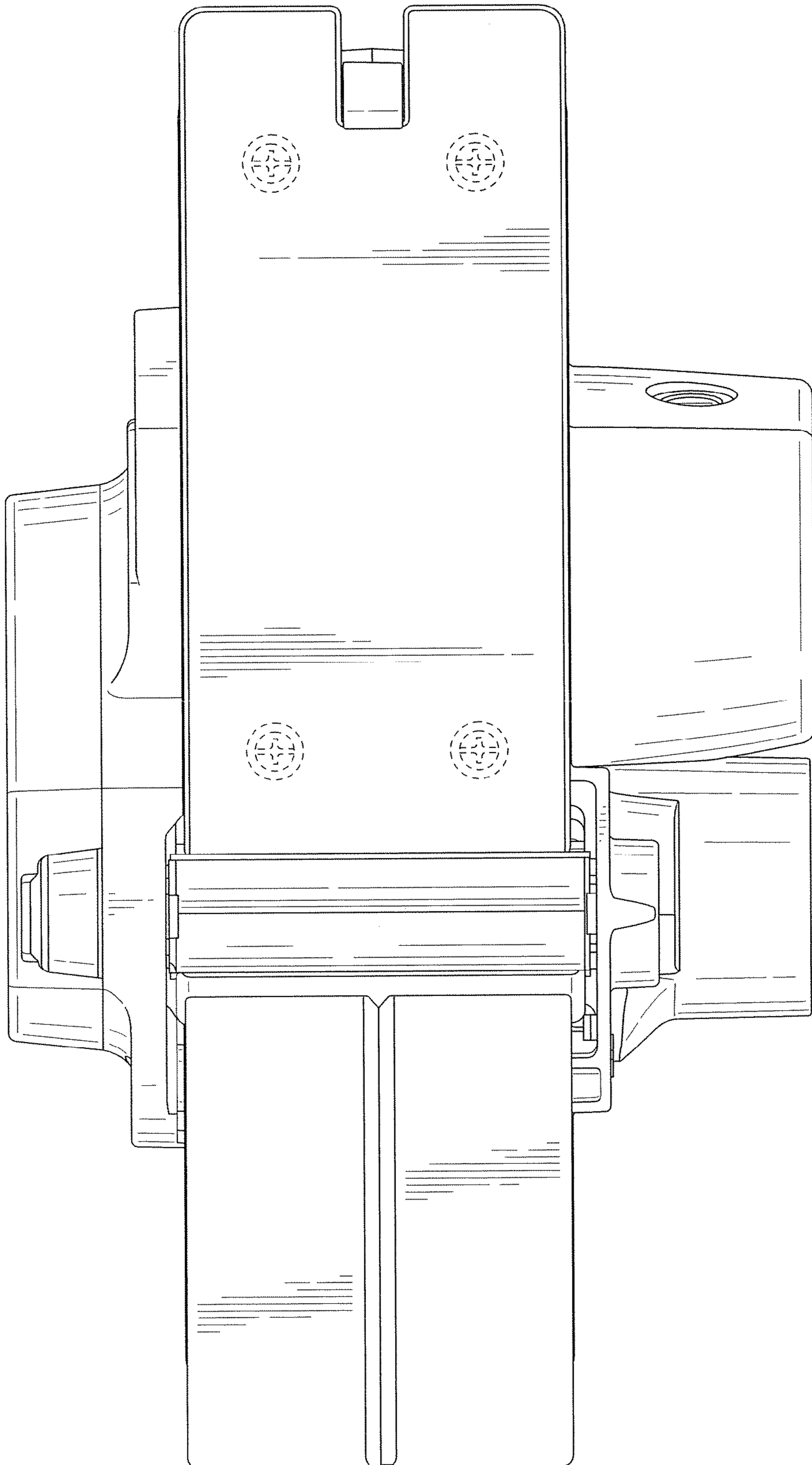


FIG. 5

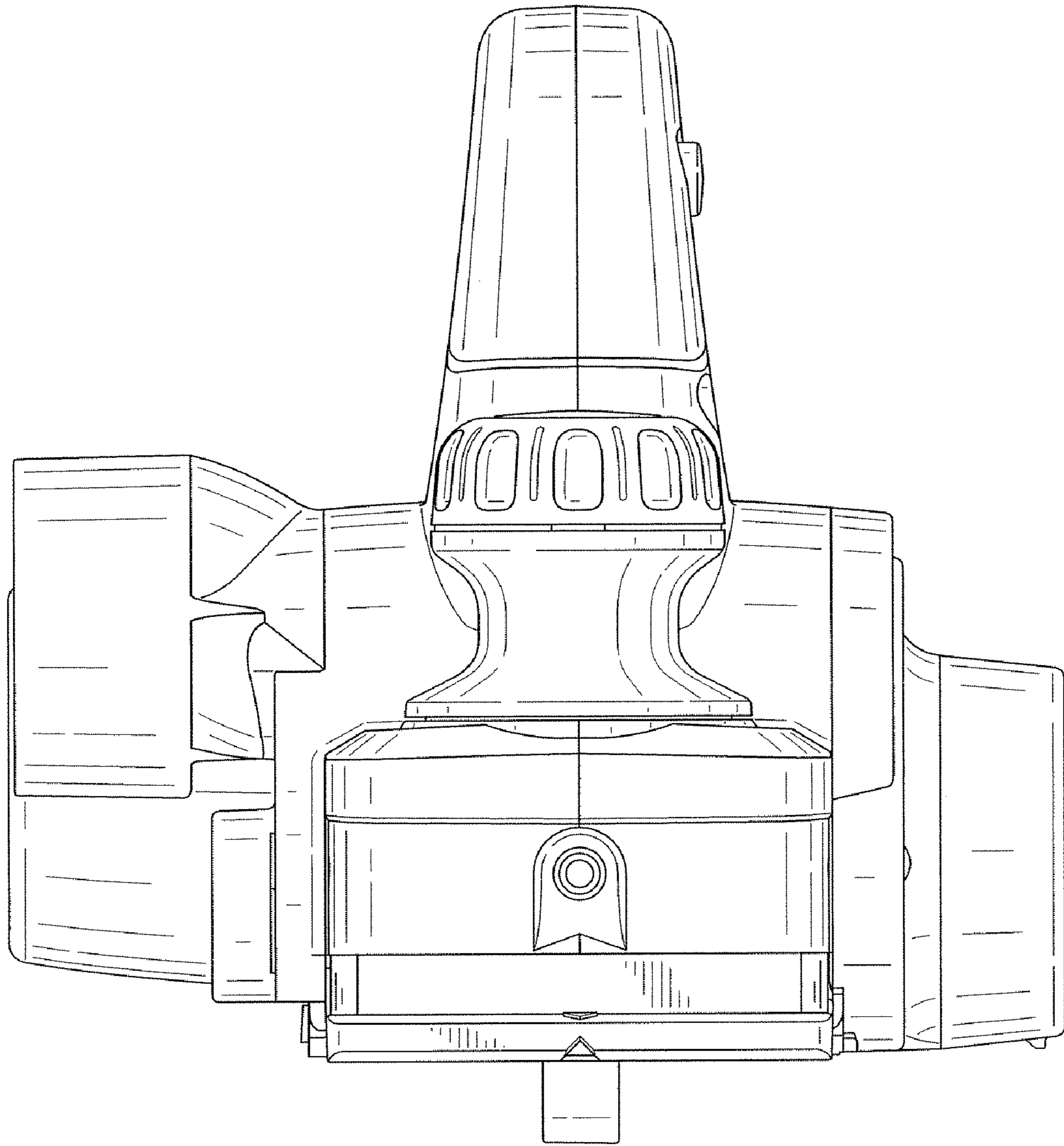


FIG. 6

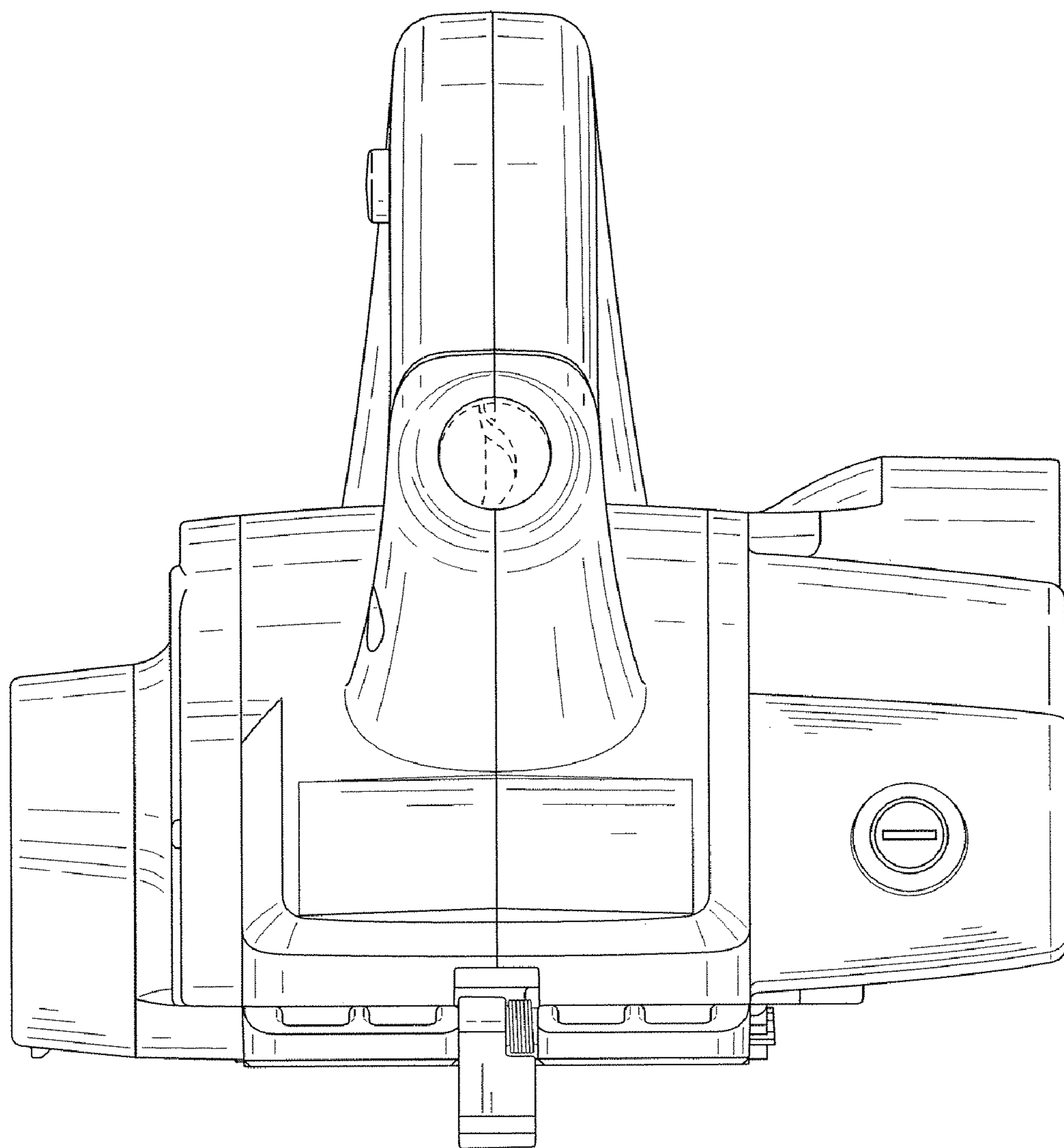


FIG. 7