



US00D601871S

(12) **United States Design Patent**  
**Murray**

(10) **Patent No.:** **US D601,871 S**  
(45) **Date of Patent:** **\*\* Oct. 13, 2009**

(54) **MULTI SOCKET WRENCH**

(75) Inventor: **Christopher J. Murray**, Baltimore, MD  
(US)

(73) Assignee: **Black & Decker Inc.**, Newark, DE (US)

(\*\*) Term: **14 Years**

(21) Appl. No.: **29/336,263**

(22) Filed: **Apr. 30, 2009**

(51) **LOC (9) Cl.** ..... **08-05**

(52) **U.S. Cl.** ..... **D8/28**

(58) **Field of Classification Search** ..... D8/17,  
D8/21-29, 354, 107; 81/60, 177.1, 177.85,  
81/121.1, 124.3, 165-170, 110.1, 176.2,  
81/124.6, 176.1, 176.15, 177.2, 186; 16/110.1;  
D15/144.1, 143; 219/75, 227, 229, 121.16,  
219/121.18

See application file for complete search history.

(56) **References Cited**

**U.S. PATENT DOCUMENTS**

1,571,148	A *	1/1926	Sisolak	.....	81/124.5
1,811,137	A *	6/1931	Kress	.....	81/124.3
4,960,016	A *	10/1990	Seals	.....	81/177.4
4,964,192	A *	10/1990	Marui	.....	16/421
D338,379	S *	8/1993	DePalo	.....	D8/28
D352,442	S *	11/1994	Lee-Chang	.....	D8/303
D429,990	S *	8/2000	Kunkler	.....	D8/303
D532,275	S *	11/2006	Lin	.....	D8/107

D551,525	S *	9/2007	Desbrunes	.....	D8/28
D573,866	S *	7/2008	Smith	.....	D8/107
D573,867	S *	7/2008	Laurino et al.	.....	D8/107

\* cited by examiner

*Primary Examiner*—Raphael Barkai

*Assistant Examiner*—Randall H Gholson

(74) *Attorney, Agent, or Firm*—Wesley W. Muller

(57) **CLAIM**

The ornamental design for a multi-socket wrench, as shown and described.

**DESCRIPTION**

FIG. 1 is a front perspective view of a multi-socket wrench according to the present invention;

FIG. 2 is a left side view of the multi-socket wrench of FIG. 1;

FIG. 3 is a right side view of the multi-socket wrench of FIG. 1;

FIG. 4 is a front view of the multi-socket wrench of FIG. 1;

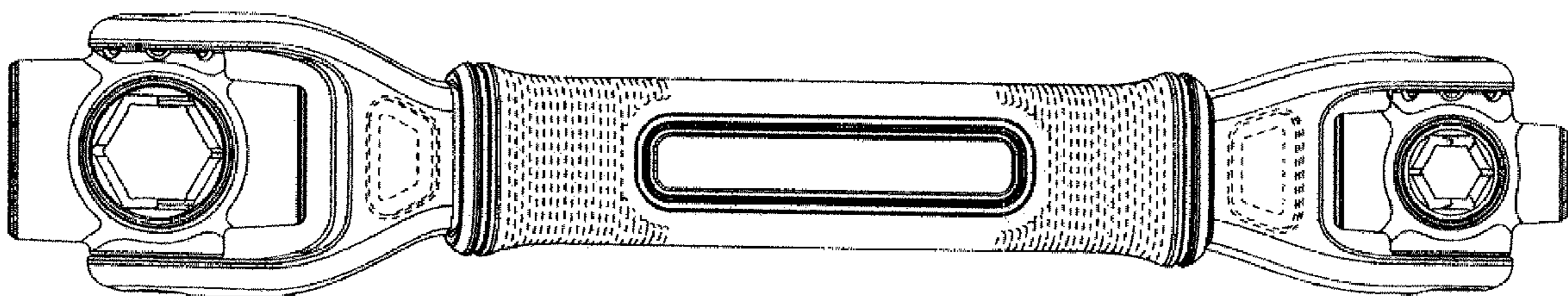
FIG. 5 is a back view of the multi-socket wrench of FIG. 1;

FIG. 6 is a top view of the multi-socket wrench of FIG. 1; and,

FIG. 7 is a bottom view of the multi-socket wrench of FIG. 1.

The broken lines showing elements on the multi-socket wrench is included for the purpose of illustration and forms no part of the claimed design.

**1 Claim, 7 Drawing Sheets**



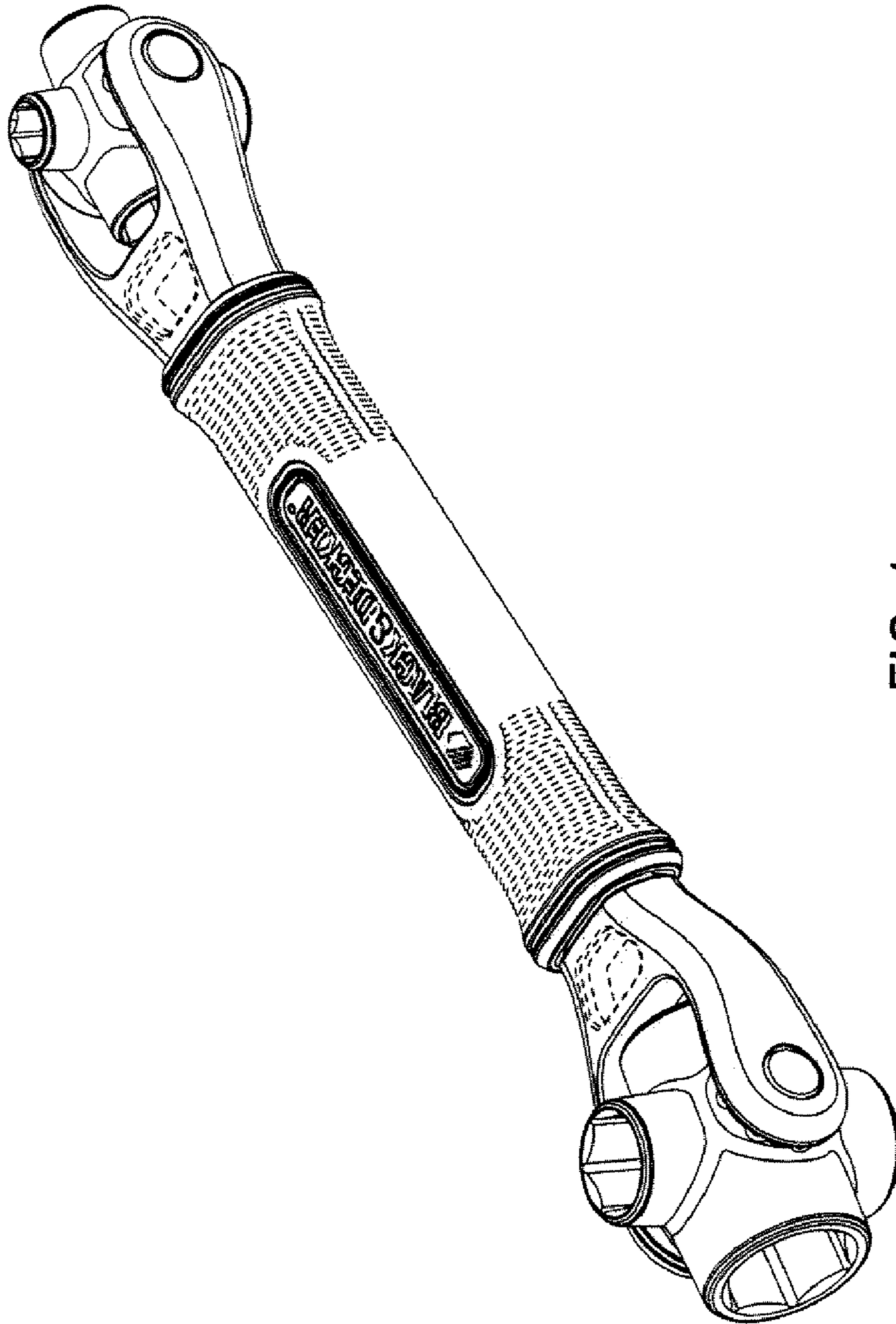


FIG. 1

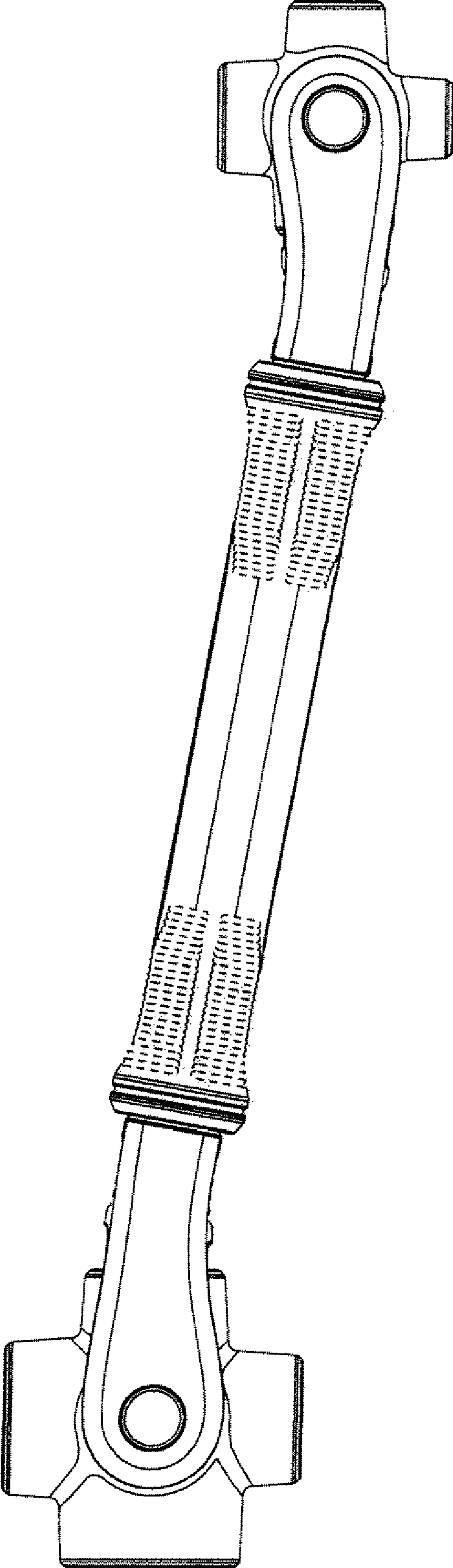


FIG. 2

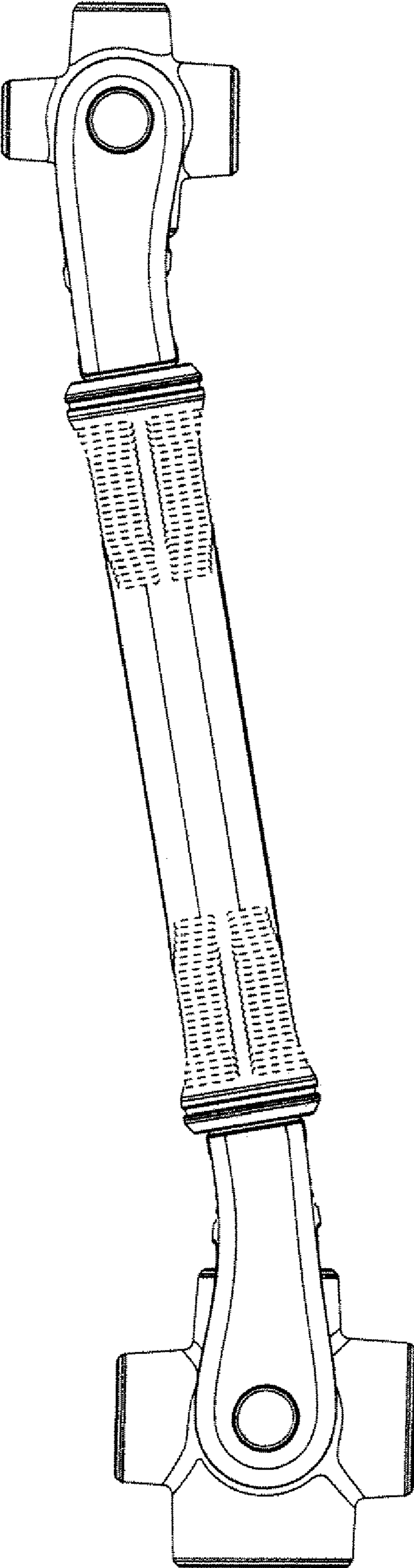


FIG. 3

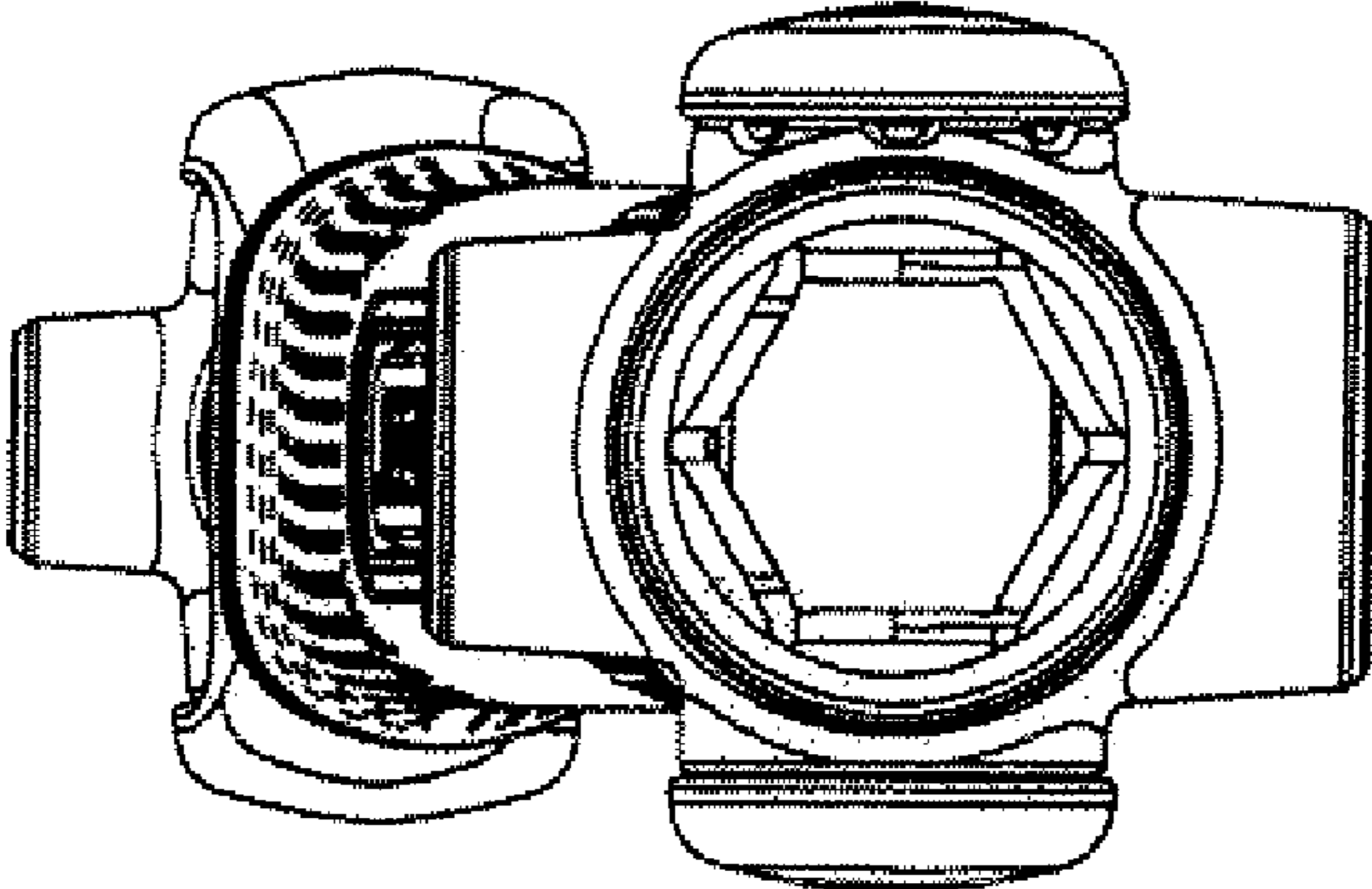


FIG. 4

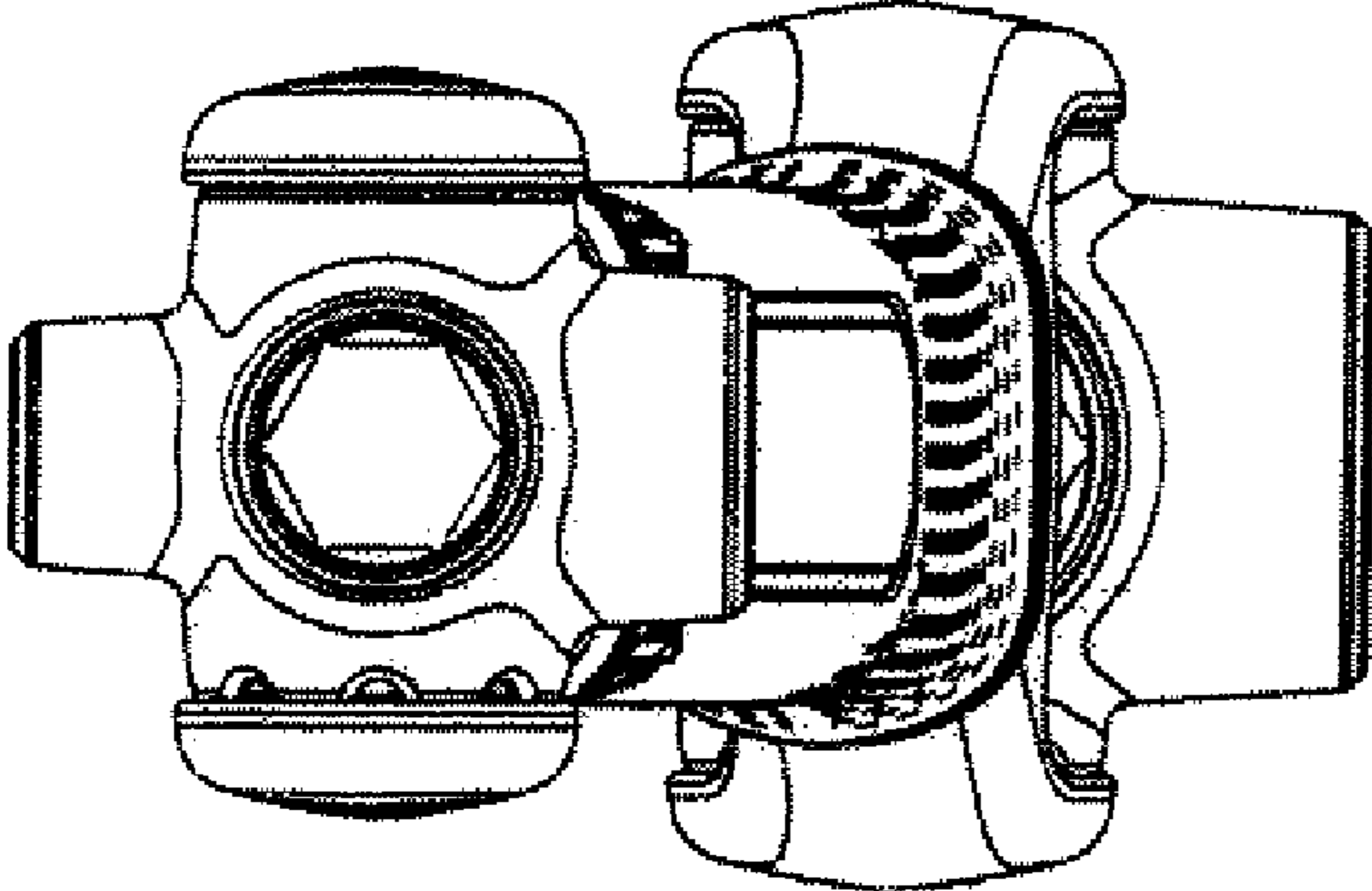


FIG. 5

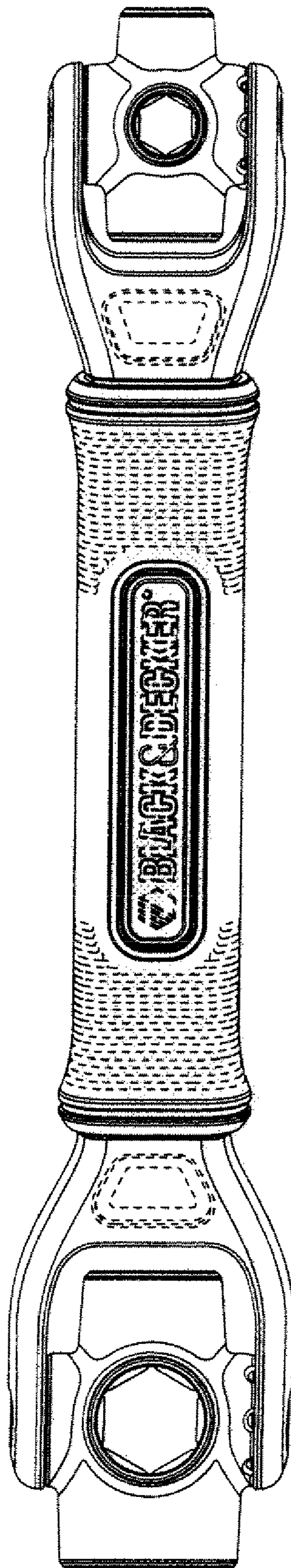


FIG. 6

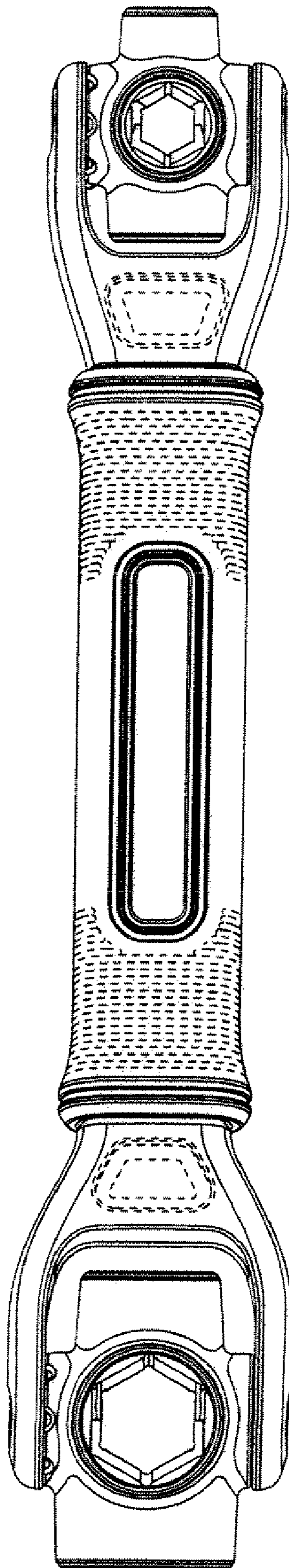


FIG. 7