



US00D601867S

(12) **United States Design Patent**  
**Carroll**

(10) **Patent No.:** **US D601,867 S**

(45) **Date of Patent:** **\*\* Oct. 13, 2009**

(54) **BLADE FOR ROUND POINT SHOVEL**

D595,550 S \* 7/2009 Wong et al. .... D8/10

(75) Inventor: **Maureen Elizabeth Carroll**, Atlanta, GA (US)

\* cited by examiner

*Primary Examiner*—Holly H Baynham

*Assistant Examiner*—Sheryl Lane

(73) Assignee: **Ames True Temper, Inc.**, Camp Hill, PA (US)

(74) *Attorney, Agent, or Firm*—Eckert Seamans Cherin & Mellott, LLC; David C. Jenkins, Esq.

(\*\*) Term: **14 Years**

(57) **CLAIM**

(21) Appl. No.: **29/330,069**

The ornamental design for a blade for round point shovel, as shown and described.

(22) Filed: **Dec. 29, 2008**

**DESCRIPTION**

(51) **LOC (9) Cl.** ..... **08-01**

FIG. 1 is an isometric view of the blade for round point shovel;

(52) **U.S. Cl.** ..... **D8/10**

FIG. 2 is a front view of the blade for round point shovel;

(58) **Field of Classification Search** ..... D8/10;  
294/54.5, 51, 53.5, 55; 37/278

FIG. 3 is a back view of the blade for round point shovel;

See application file for complete search history.

FIG. 4 is a top view of the blade for round point shovel;

FIG. 5 is a bottom view of the blade for round point shovel;

(56) **References Cited**

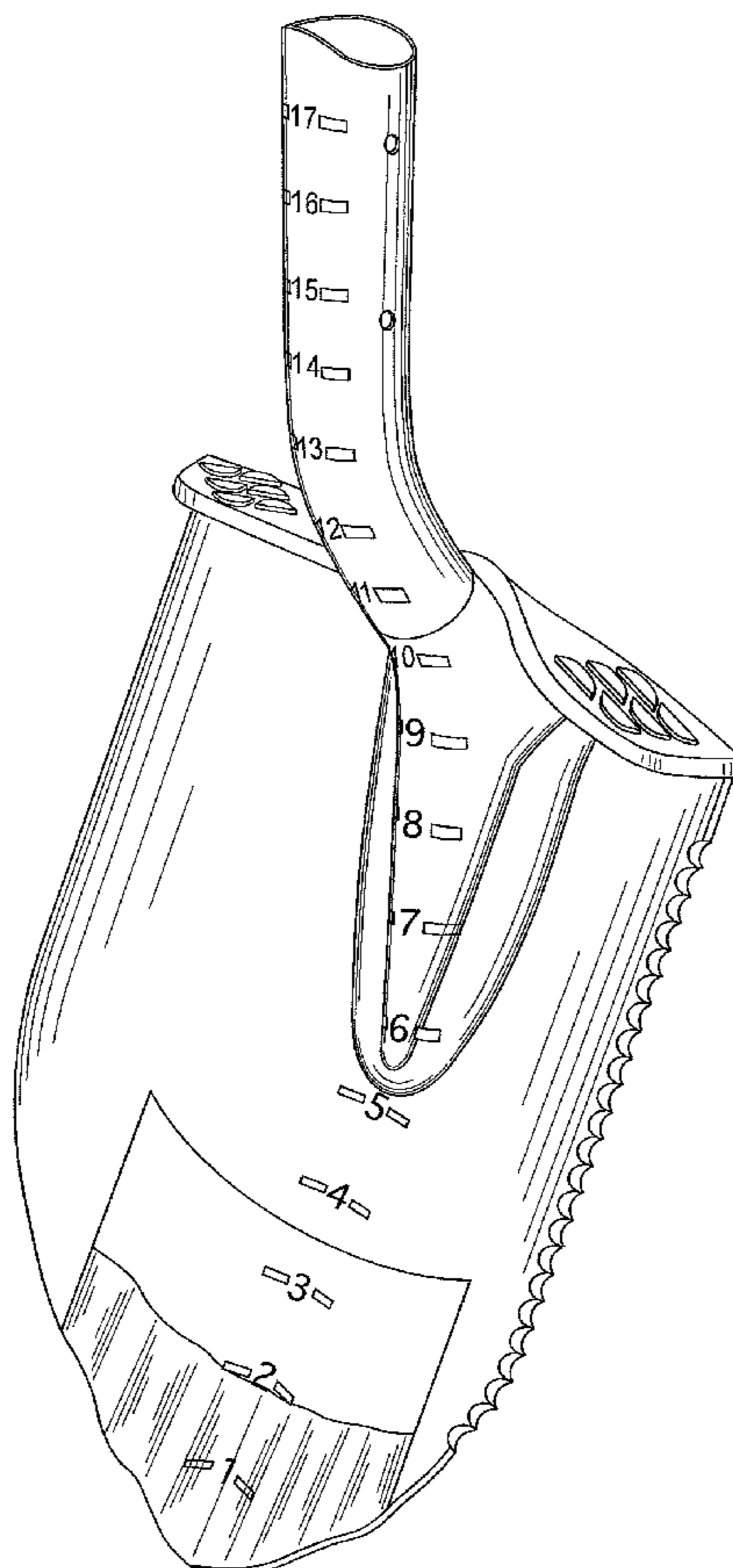
**U.S. PATENT DOCUMENTS**

1,839,285	A *	1/1932	Winkie	.....	294/54.5
4,050,727	A *	9/1977	Bonnes	.....	294/49
D506,654	S *	6/2005	Costa	.....	D8/10
D570,653	S *	6/2008	Baker	.....	D8/10
D582,226	S *	12/2008	DeMar et al.	.....	D8/10

FIG. 6 is a right side view of the blade for round point shovel; and,

FIG. 7 is a left side view of the blade for round point shovel.

**1 Claim, 6 Drawing Sheets**



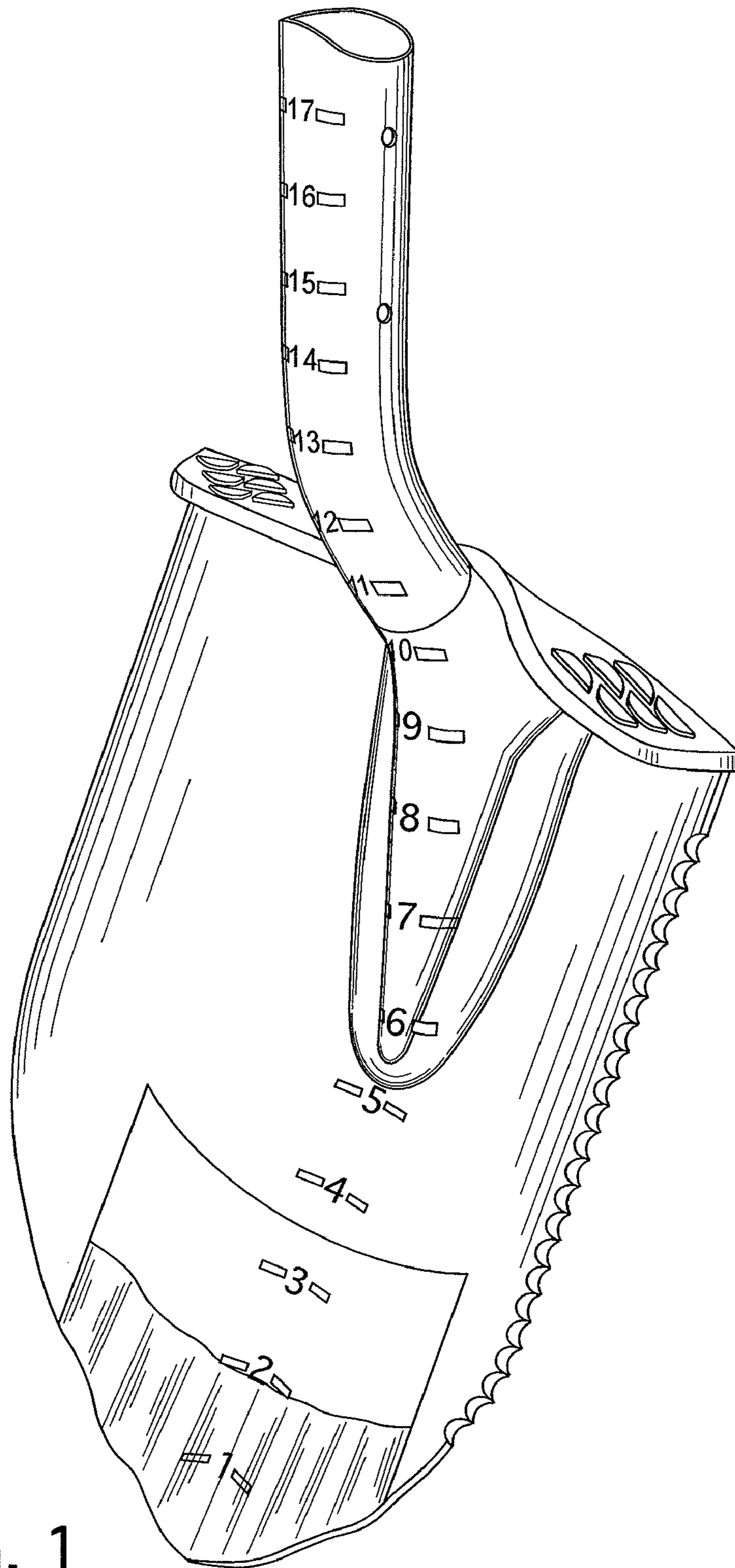


FIG. 1

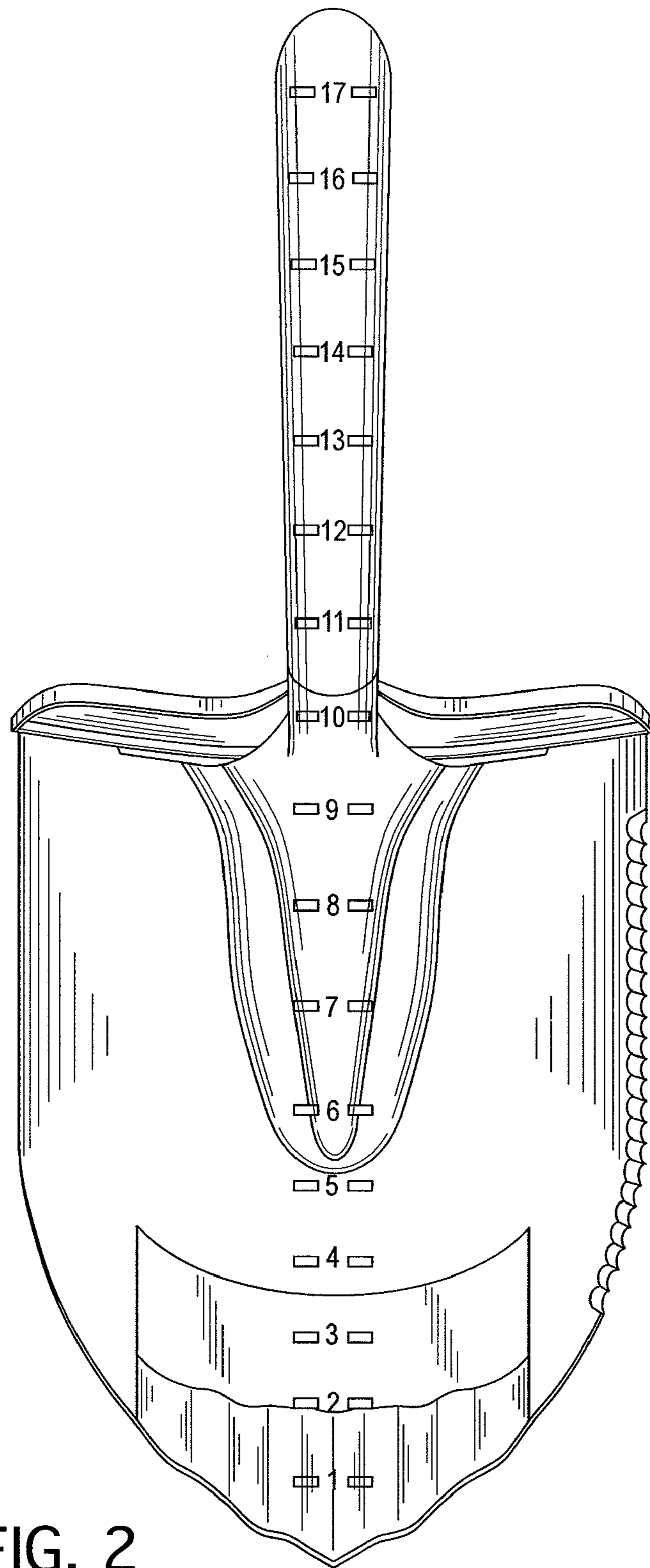


FIG. 2

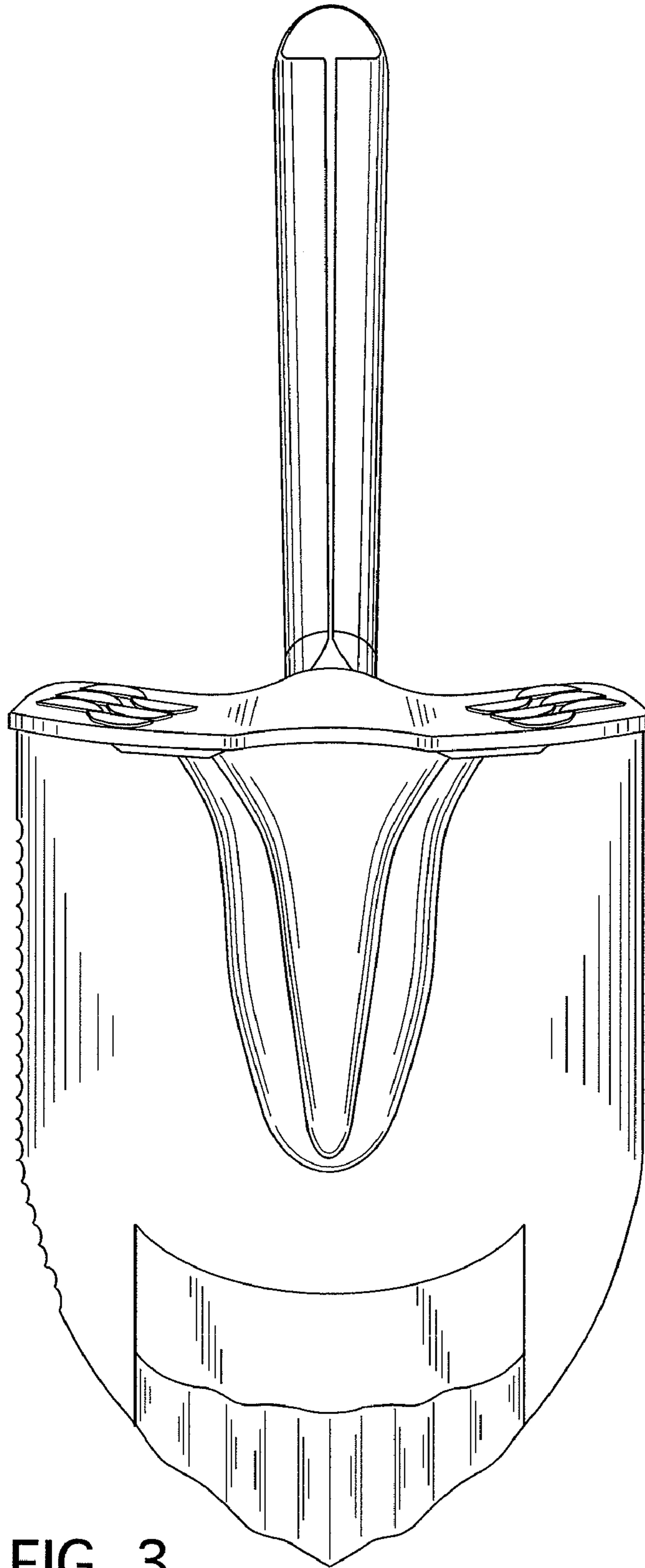


FIG. 3

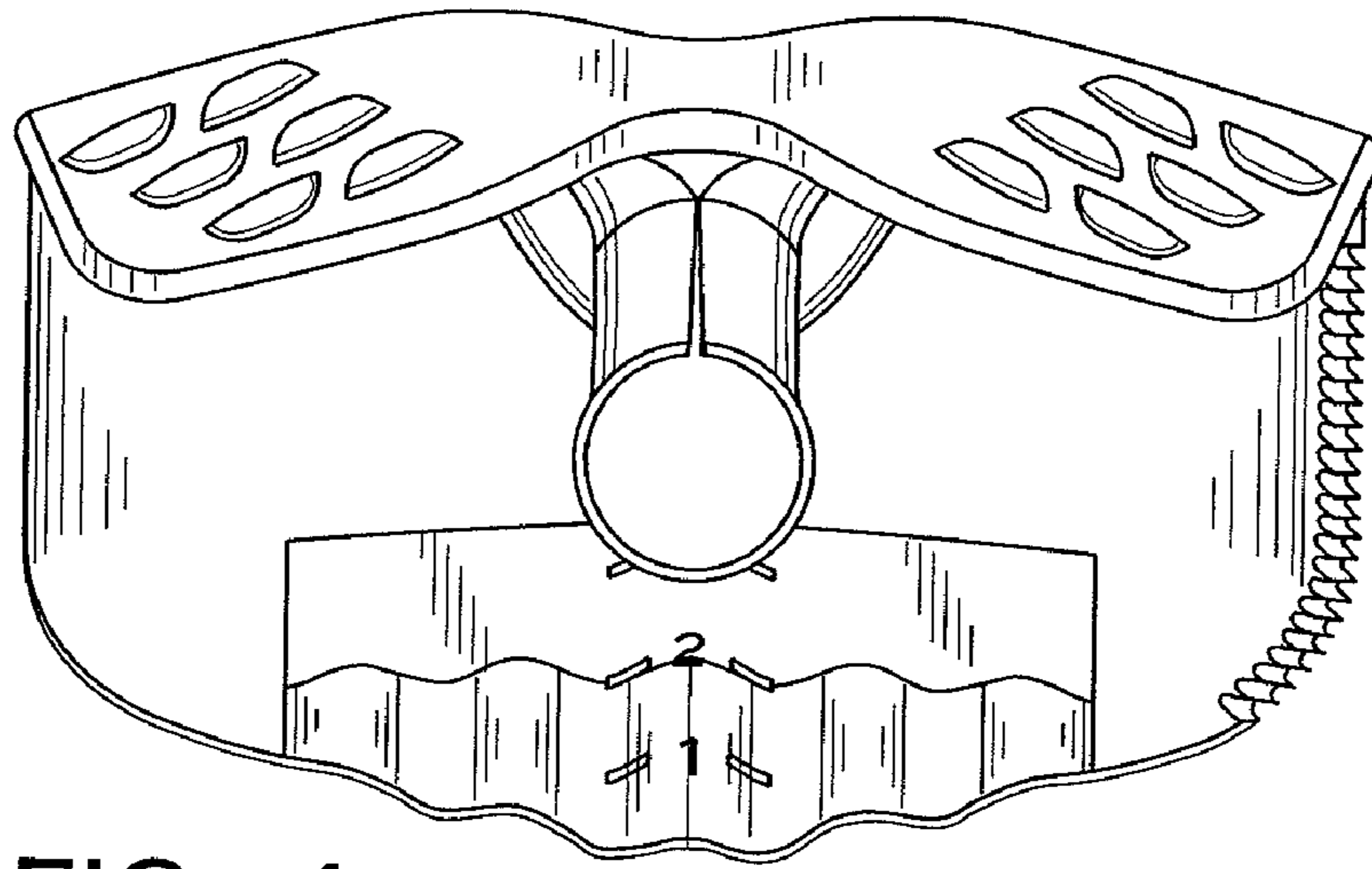


FIG. 4

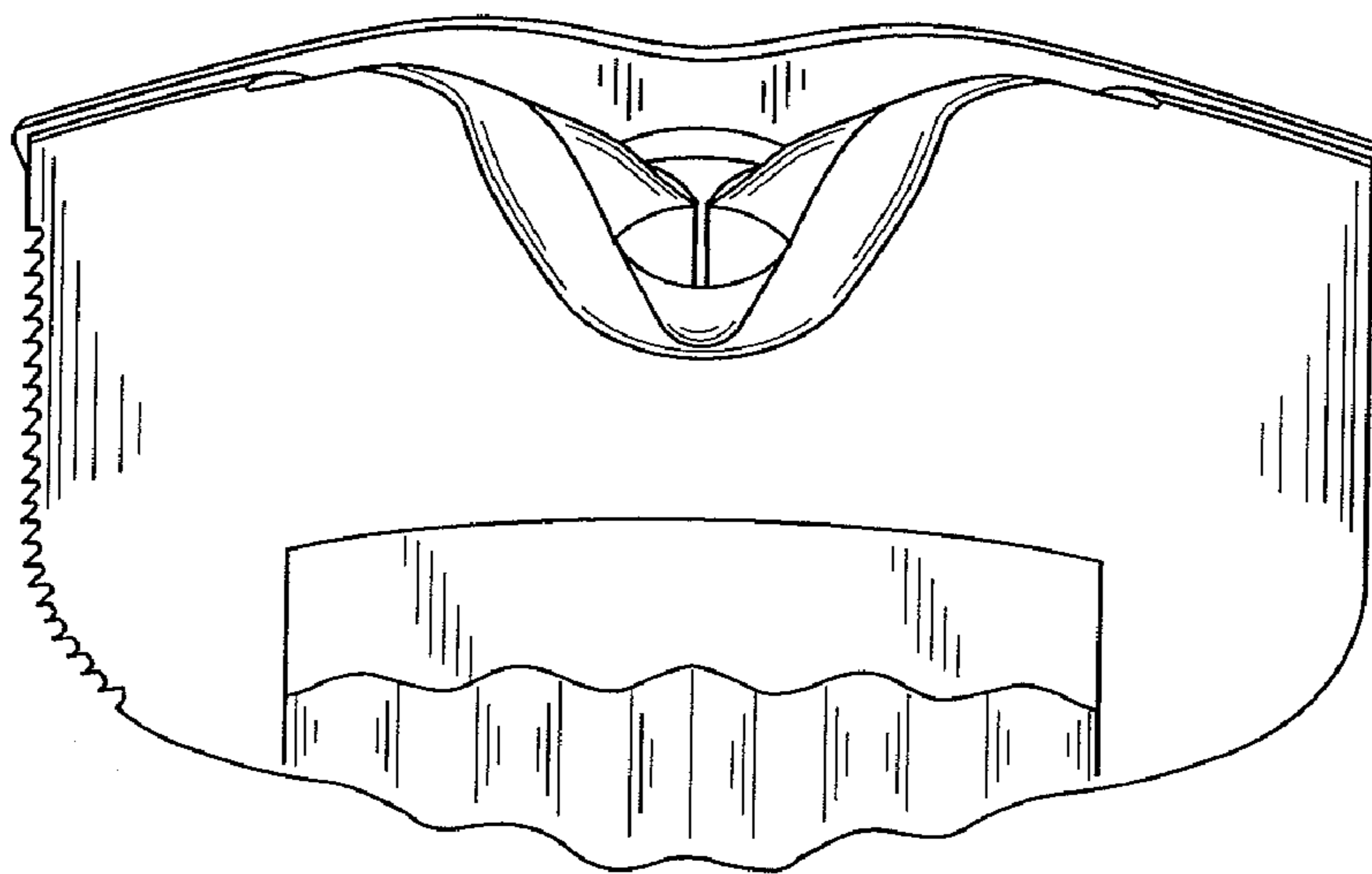


FIG. 5



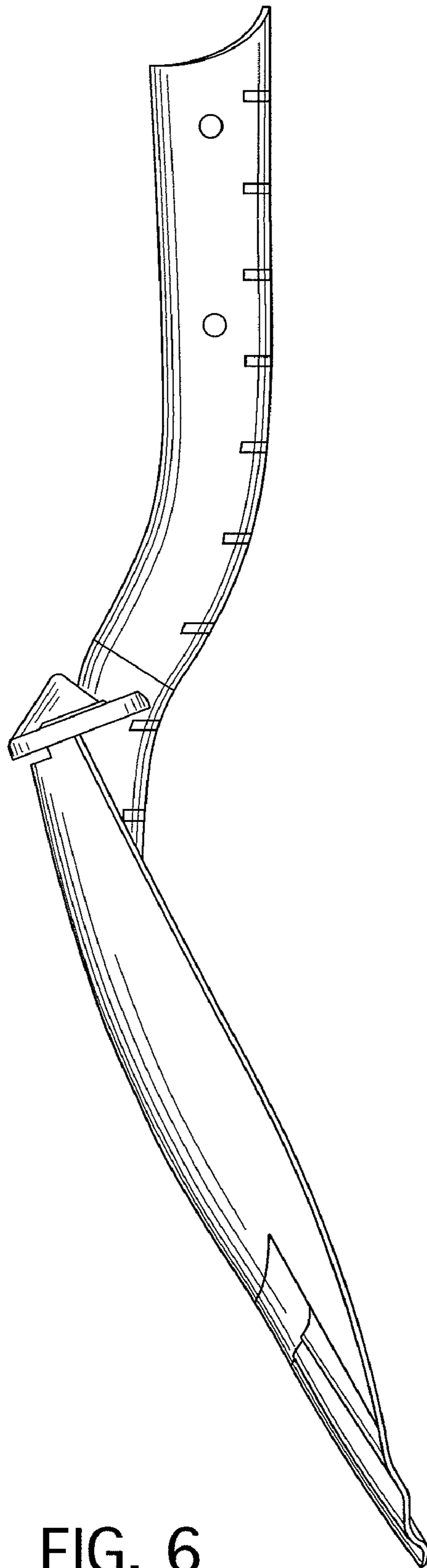


FIG. 6

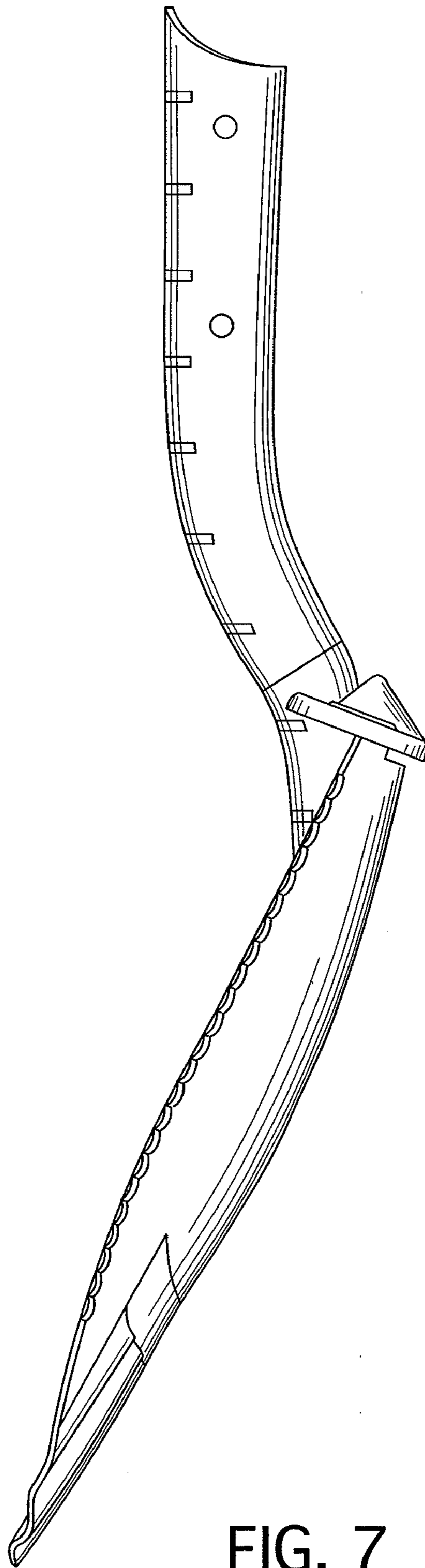


FIG. 7