

US00D601862S

(12) **United States Design Patent**  
**Welch**

(10) **Patent No.:** **US D601,862 S**

(45) **Date of Patent:** **\*\* Oct. 13, 2009**

(54) **BOTTLE INSULATOR WITH INTEGRAL BOTTLE CAP REMOVER**

2002/0175169 A1 11/2002 Tham-itthisak  
2006/0016294 A1 1/2006 McGrath  
2007/0012140 A1 1/2007 Howlett  
2007/0210229 A1 9/2007 Brenner

(75) Inventor: **James Douglas Welch**, Austin, TX (US)

(73) Assignee: **Getagadget Inc.**, Austin, TX (US)

(\*\*) Term: **14 Years**

(21) Appl. No.: **29/312,387**

(22) Filed: **Oct. 17, 2008**

(51) **LOC (9) Cl.** ..... **07-06**

(52) **U.S. Cl.** ..... **D7/624.2; D7/607; D8/34**

(58) **Field of Classification Search** ..... **D7/619.1-625, D7/607, 605; D8/34; D9/444; 62/457.1-457.9, 62/529, 530; 220/915.1, 915.2, 592.17, 592.24, 220/739, 902, 903; 215/12.1, 12.2, 13.1**

See application file for complete search history.

(56) **References Cited**

**U.S. PATENT DOCUMENTS**

1,755,086	A	4/1930	Tapp	
2,745,301	A	5/1956	Grunwald	
3,236,126	A	2/1966	Martinmaas	
4,197,890	A	4/1980	Simko	
4,478,265	A	10/1984	DeMarco	
4,747,507	A	5/1988	Fitzgerald	
4,798,300	A	1/1989	Ghosh	
6,073,796	A *	6/2000	Mogil	220/592.17
D432,873	S *	10/2000	Fair	D7/624.3
D470,310	S *	2/2003	Walley et al.	D7/624.3
6,550,271	B2 *	4/2003	Silbert	62/457.4
D505,838	S *	6/2005	Hicks	D7/625
6,976,370	B2	12/2005	Fiene	
D567,031	S *	4/2008	Zacharias et al.	D7/624.3
7,404,345	B1	7/2008	Dipprey	

**OTHER PUBLICATIONS**

Official Man Card Koozie, Internet, [www.officialmangear.com](http://www.officialmangear.com).  
Can/Bottle Cooler With Built-In Bottle Opener, Internet, [www.epromos.com/product/8829340.html](http://www.epromos.com/product/8829340.html).

\* cited by examiner

*Primary Examiner*—Terry A Wallace

(74) *Attorney, Agent, or Firm*—David O. Simmons

(57) **CLAIM**

The ornamental design for a bottle insulator with integral bottle cap remover, substantially as shown.

**DESCRIPTION**

FIG. 1 is a top view of an embodiment of a bottle insulator with integral bottle cap remover in accordance with the present invention;

FIG. 2 is a rear view of the bottle insulator with integral bottle cap remover shown in FIG. 1;

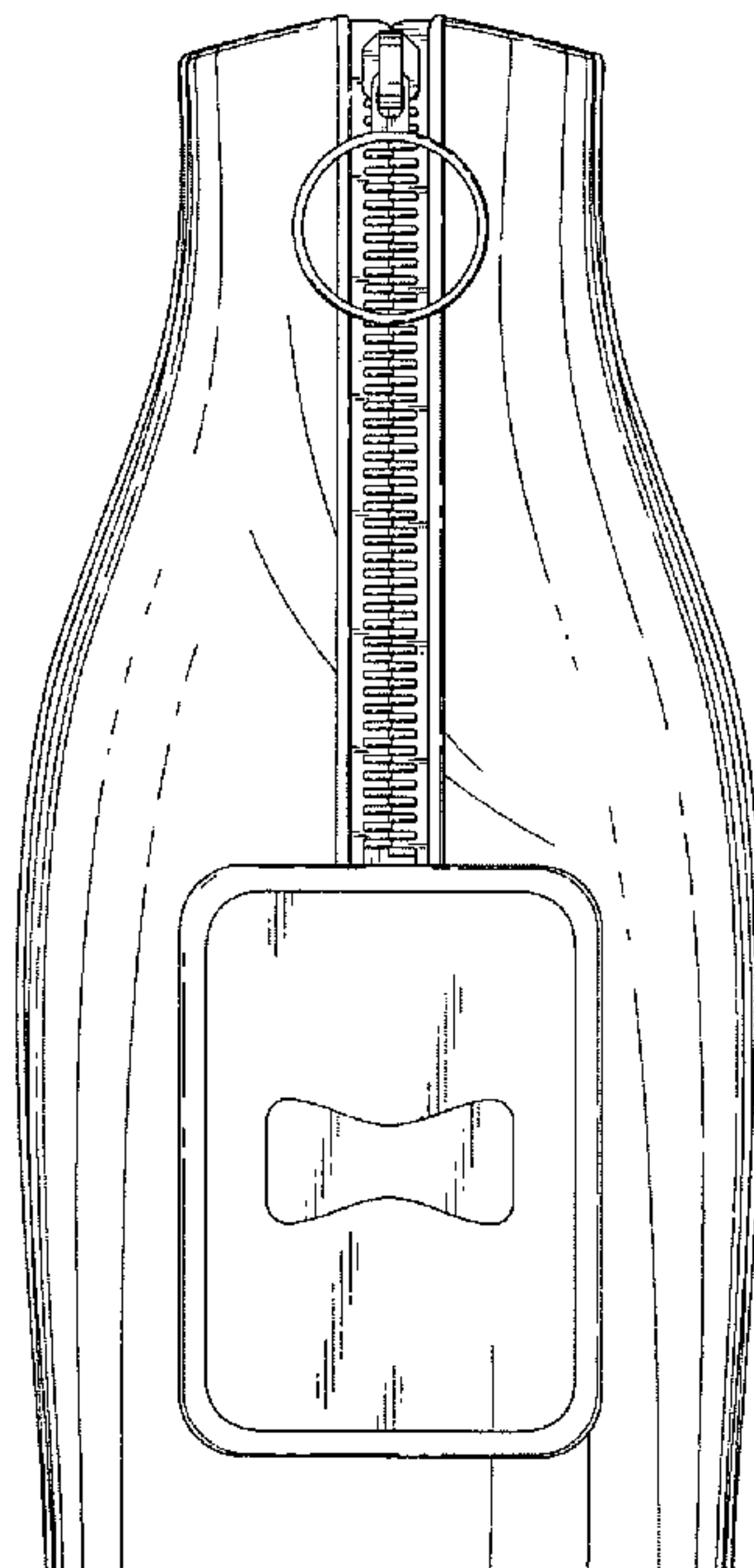
FIG. 3 is a left side view of the bottle insulator with integral bottle cap remover shown in FIG. 1;

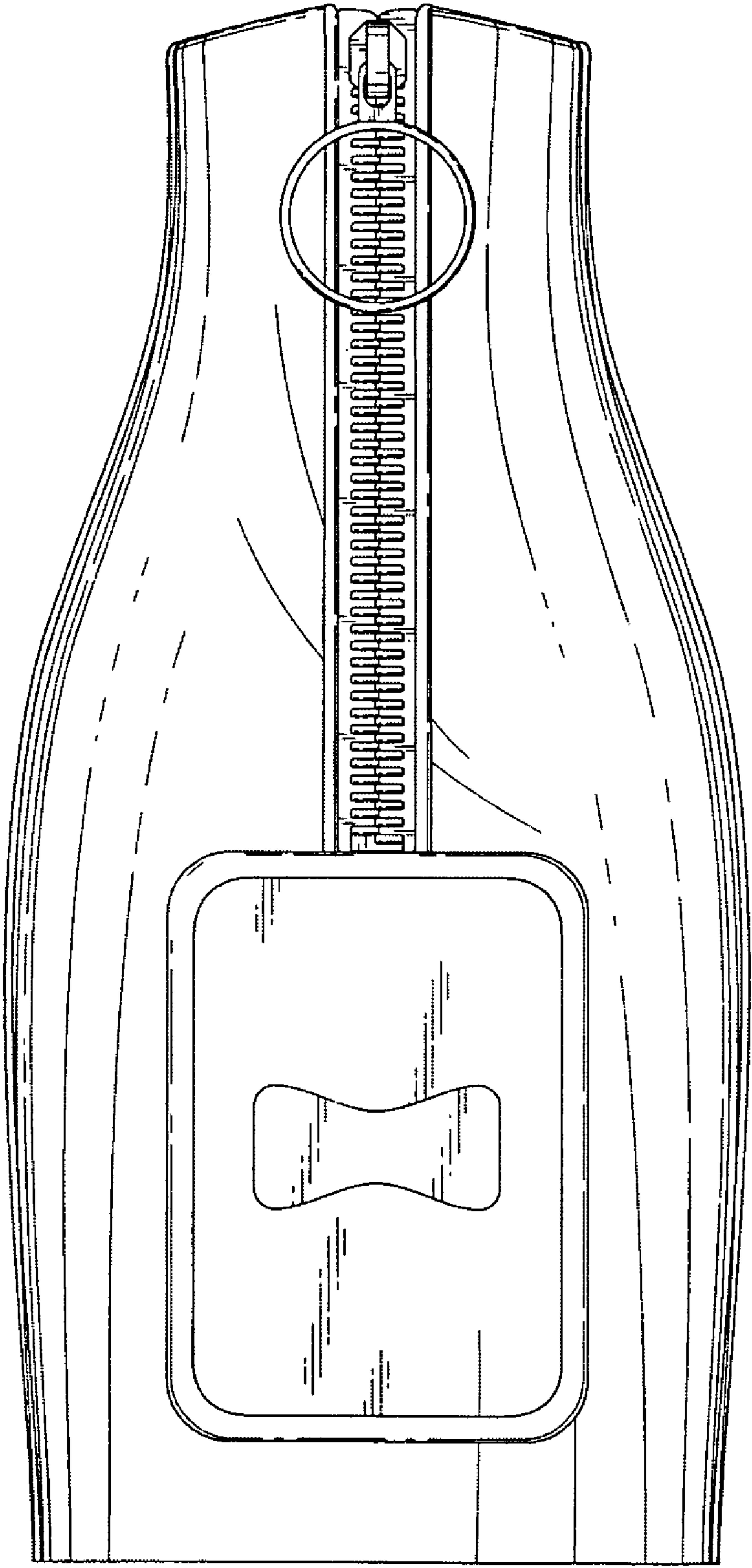
FIG. 4 is a top view of the bottle insulator with integral bottle cap remover shown in FIG. 1; and,

FIG. 5 is a bottom view of the bottle insulator with integral bottle cap remover shown in FIG. 1.

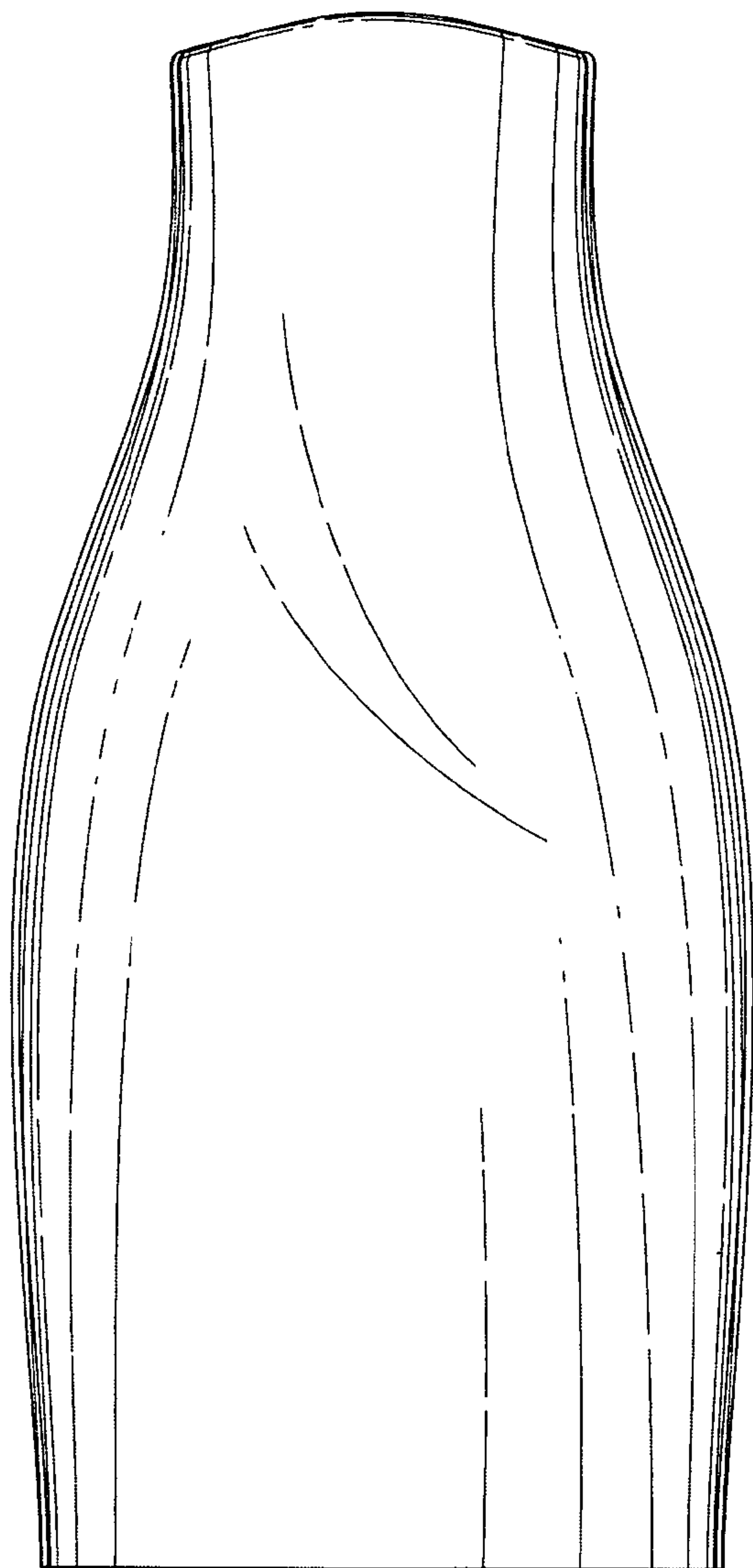
The right side view of the bottle insulator with integral bottle cap remover shown in FIG. 1 is a mirror image of the left side view shown in FIG. 3.

**1 Claim, 3 Drawing Sheets**

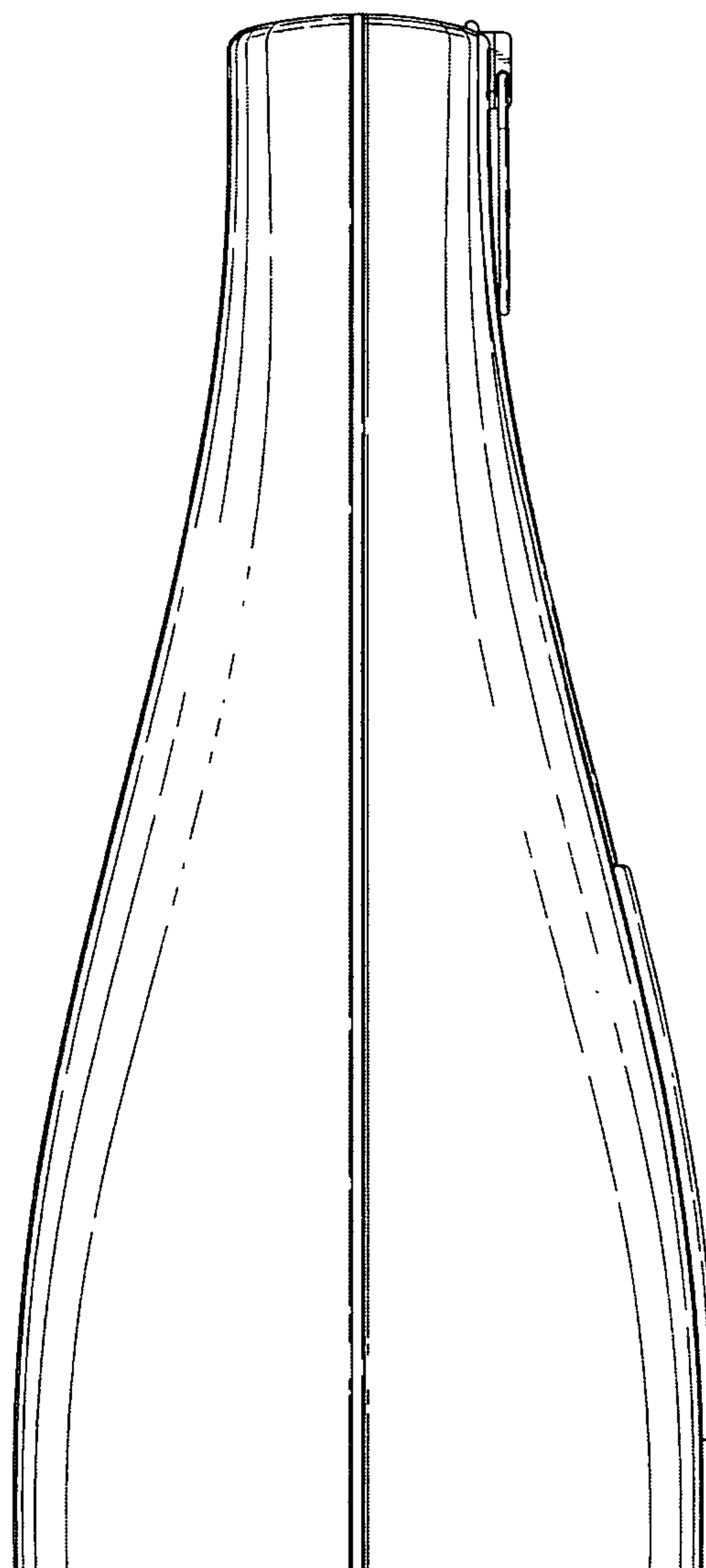




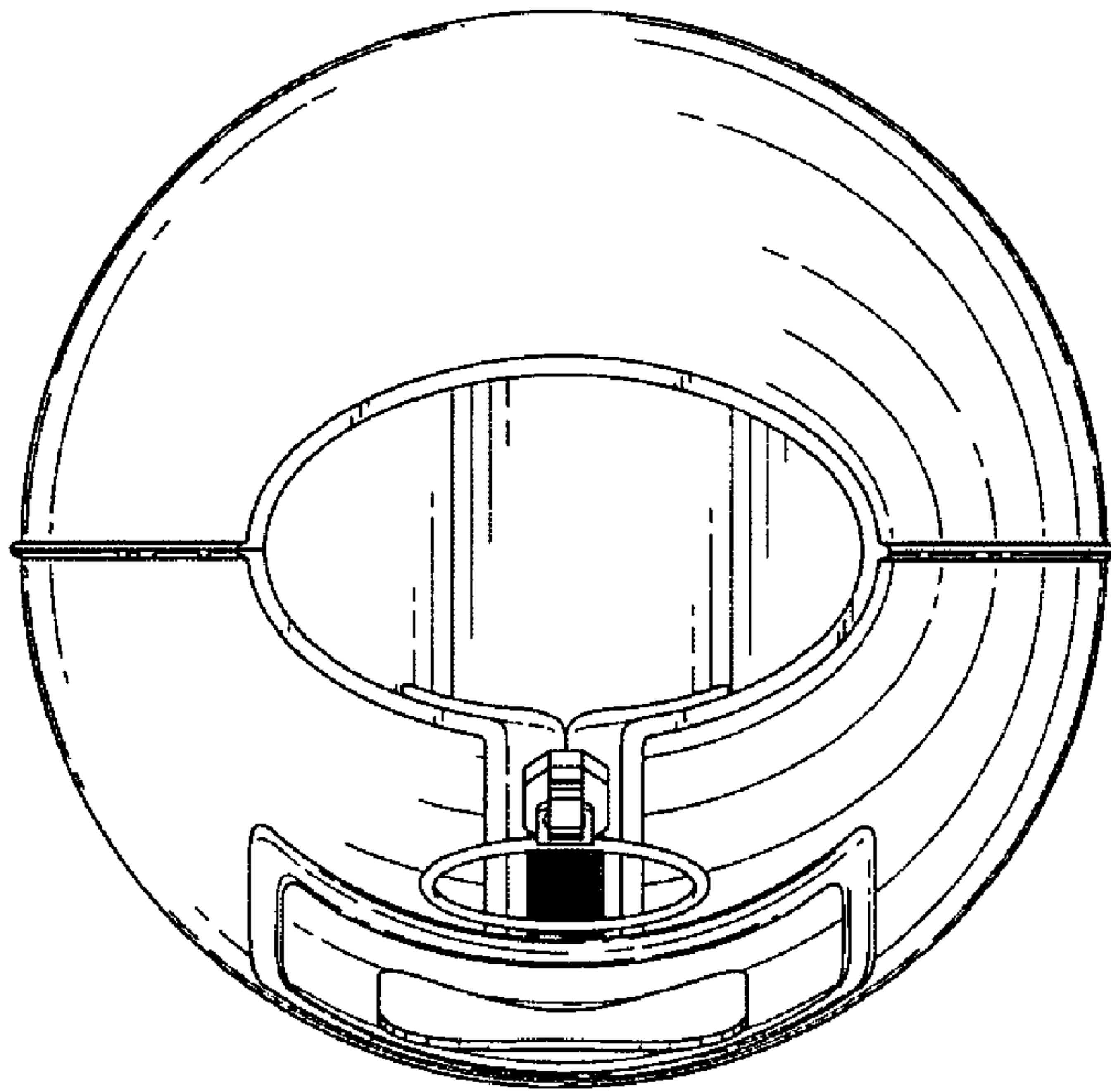
**Fig. 1**



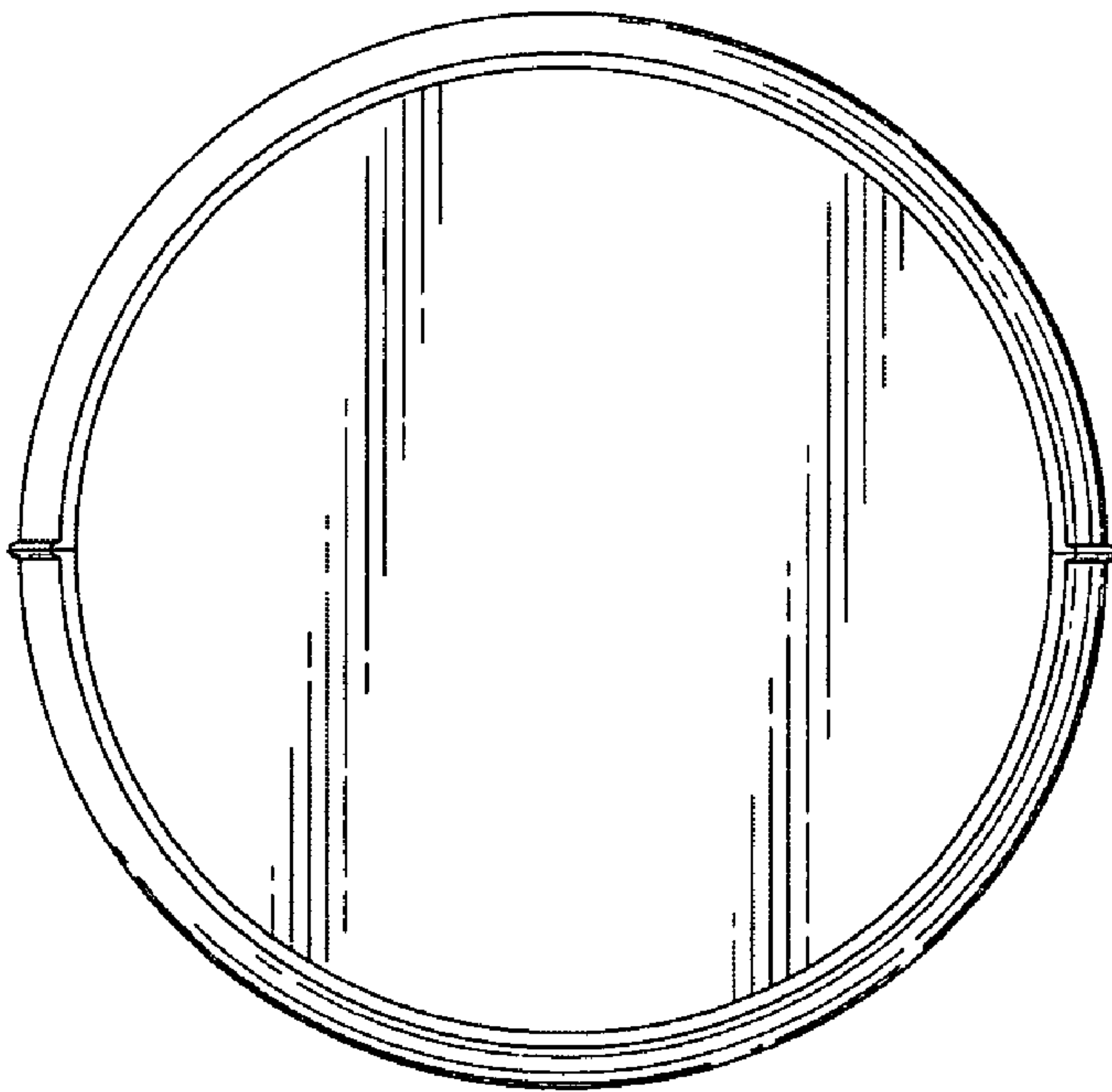
**Fig. 2**



**Fig. 3**



**Fig. 4**



**Fig. 5**