



US00D601858S

(12) **United States Design Patent**  
**Snedden et al.**

(10) **Patent No.:** **US D601,858 S**  
(45) **Date of Patent:** **\*\* Oct. 13, 2009**

- (54) **FOOD CONTAINER**
- (75) Inventors: **Craig Richard Snedden**, Culver City, CA (US); **Gandhi Bonergue Sifuentes**, Whittier, CA (US); **Yu Wen Chen**, Shulin (TW)
- (73) Assignee: **Direct Pack, Inc.**, Sun Valley, CA (US)
- (\*\*) Term: **14 Years**
- (21) Appl. No.: **29/326,763**
- (22) Filed: **Oct. 24, 2008**
- (51) **LOC (9) Cl.** ..... **07-01**
- (52) **U.S. Cl.** ..... **D7/602**; D9/425; D7/542
- (58) **Field of Classification Search** ..... D9/414-424, D9/428, 430-434, 450, 454, 500-503, 520-525, D9/542, 715, 719, 776-777; D7/354, 505, D7/538, 540, 541-542, 545, 550.1, 560, 565, D7/584, 586-587, 602, 629, 667; 220/4.23-4.24, 220/23.86, 253, 254.2-254.7, 507, 524, 574, 220/574.3, 776, 780-781, 791-793, 825, 220/835, 839; 206/501-509, 512, 538, 533-534; 229/123.2-123.3, 125.13-125.14; 428/34.1, 428/35.7, 36.5-36.8; D30/101, 129  
See application file for complete search history.

- D307,716 S 5/1990 Fitzloff et al.
- D308,941 S 7/1990 Kong
- D317,567 S 6/1991 Lane, Sr.
- D317,568 S 6/1991 Lane, Sr.
- D317,569 S 6/1991 Lane, Sr.
- D334,141 S \* 3/1993 Gottofredi ..... D9/425
- D339,744 S 9/1993 Seppala
- D369,282 S 4/1996 Arduini
- D371,962 S 7/1996 Petruzzi
- D377,451 S 1/1997 Gumowitz et al.
- D407,014 S 3/1999 McCann
- D408,282 S 4/1999 McCann
- D408,733 S 4/1999 McCann
- D411,741 S 6/1999 Wilson et al.
- D419,829 S 2/2000 Wilson et al.
- D428,777 S 8/2000 Hayes et al.
- D440,830 S 4/2001 Tucker et al.
- D441,615 S 5/2001 Dretzka
- D448,991 S 10/2001 Zettle et al.

(Continued)

*Primary Examiner*—Philip S Hyder  
*Assistant Examiner*—Susan E Krakower  
(74) *Attorney, Agent, or Firm*—Frost Brown Todd LLC

(57) **CLAIM**

The ornamental design for a food container, as shown and described.

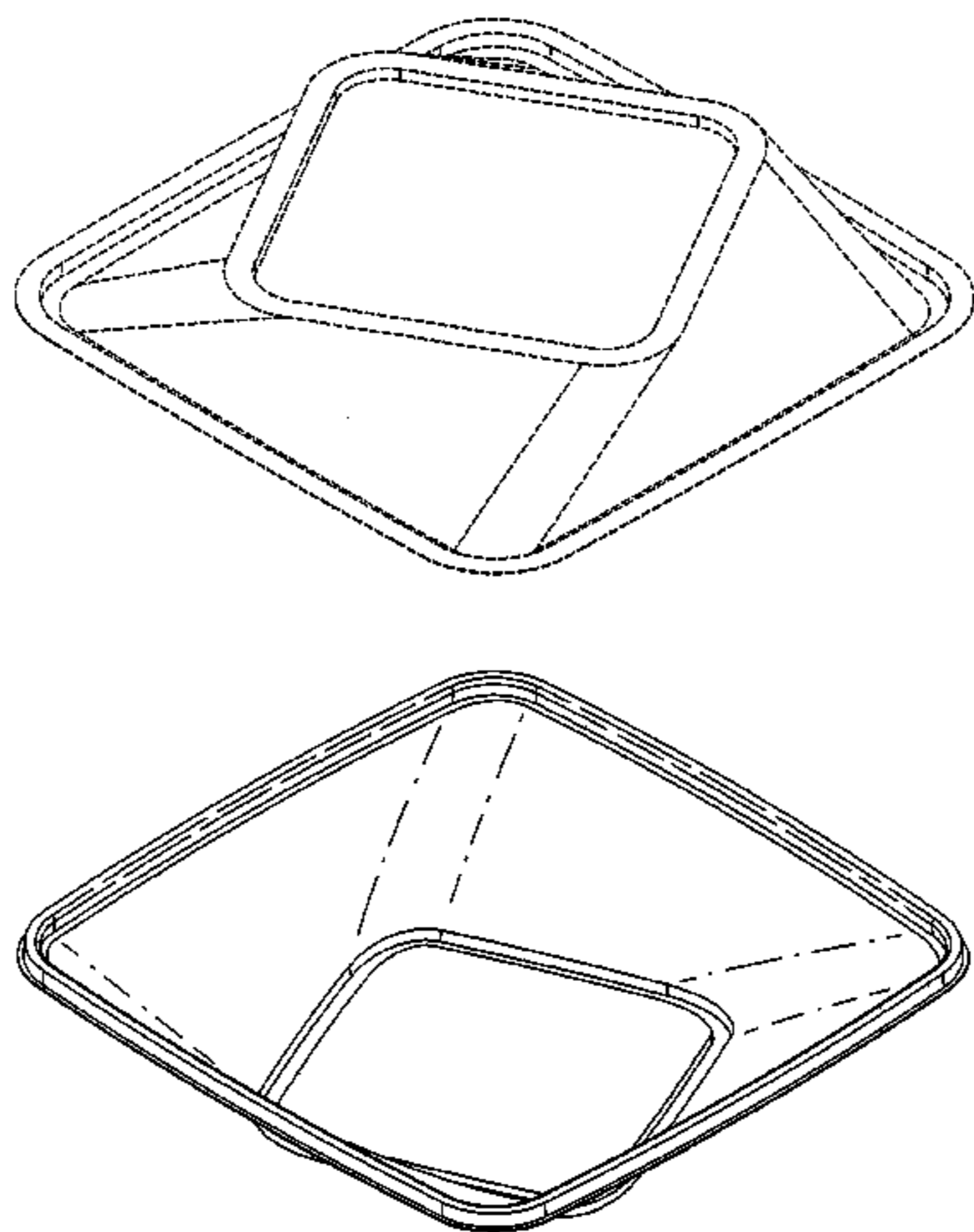
**DESCRIPTION**

FIG. 1 is a top perspective view of a food container, showing our new design;  
FIG. 2 is a right elevational view thereof;  
FIG. 3 is a left elevational view thereof;  
FIG. 4 is a front elevational view thereof;  
FIG. 5 is a back elevational view thereof;  
FIG. 6 is a top plan view thereof; and,  
FIG. 7 is a bottom plan view thereof.  
The food container lid shown in broken lines is unclaimed environment, and forms no part of the claimed design.

**1 Claim, 7 Drawing Sheets**

(56) **References Cited**  
U.S. PATENT DOCUMENTS

- D109,481 S \* 5/1938 Jackson ..... D7/354
- D219,959 S \* 2/1971 Anderson ..... D9/425
- D256,557 S 8/1980 Ikushima et al.
- D256,650 S \* 9/1980 Juster ..... D7/629
- D257,555 S 11/1980 Ikushima et al.
- D264,792 S \* 6/1982 Conti ..... D7/584
- D267,394 S 12/1982 Liptak et al.
- D270,708 S 9/1983 Dart
- D272,595 S 2/1984 Chase et al.
- D276,216 S 11/1984 Michaud
- D277,167 S 1/1985 Dart
- D280,605 S 9/1985 Karlik
- D304,910 S 12/1989 Natori



# US D601,858 S

Page 2

---

## U.S. PATENT DOCUMENTS

D450,983 S	11/2001	Tucker et al.	D512,278 S	12/2005	Schultz et al.
D462,880 S	9/2002	Maxwell et al.	D530,198 S	10/2006	Snedden et al.
D475,620 S	6/2003	Chen et al.	D542,100 S	5/2007	Kim
D485,473 S	1/2004	Dais et al.	D544,755 S	6/2007	Diesman
D485,755 S	1/2004	Isler et al.	D554,498 S	11/2007	Lovett
D490,278 S	5/2004	Welsh	D554,531 S	11/2007	Lovett
D493,335 S	7/2004	Armato	D554,988 S	11/2007	Sim
D498,390 S *	11/2004	Vovan ..... D7/554.1	D555,475 S	11/2007	Enriquez et al.
D501,764 S	2/2005	Lerner	D555,983 S	11/2007	Tucker et al.
D505,835 S	6/2005	Schultz et al.	D557,569 S	12/2007	Stamper et al.
D505,839 S	6/2005	Stanos et al.	D569,722 S	5/2008	Stamper et al.
D509,109 S	9/2005	Vovan	D571,656 S	6/2008	Maslowski
D510,843 S *	10/2005	Vovan ..... D7/584	D572,087 S	7/2008	Kim
			D573,846 S	7/2008	Moghavem

\* cited by examiner

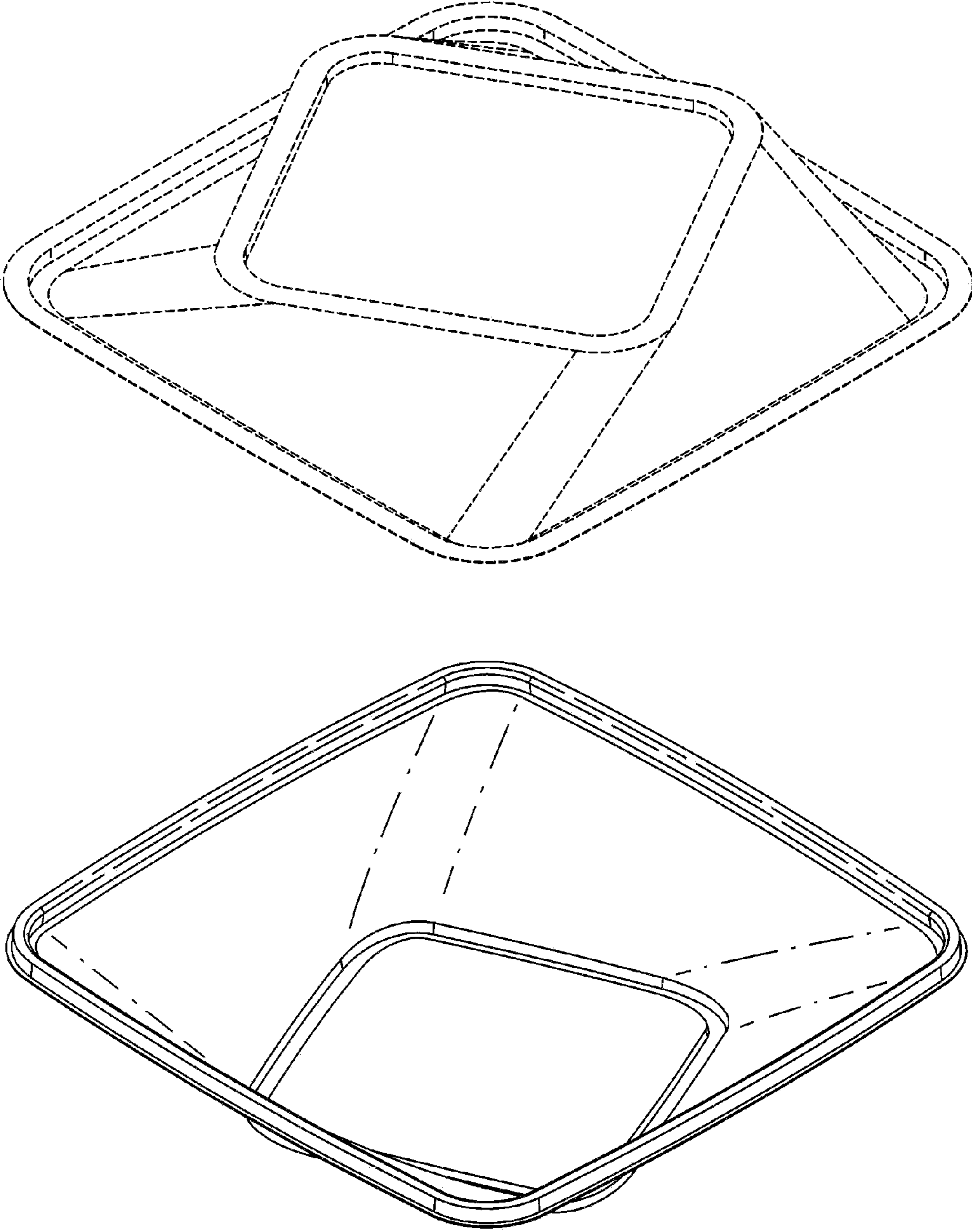


FIGURE 1

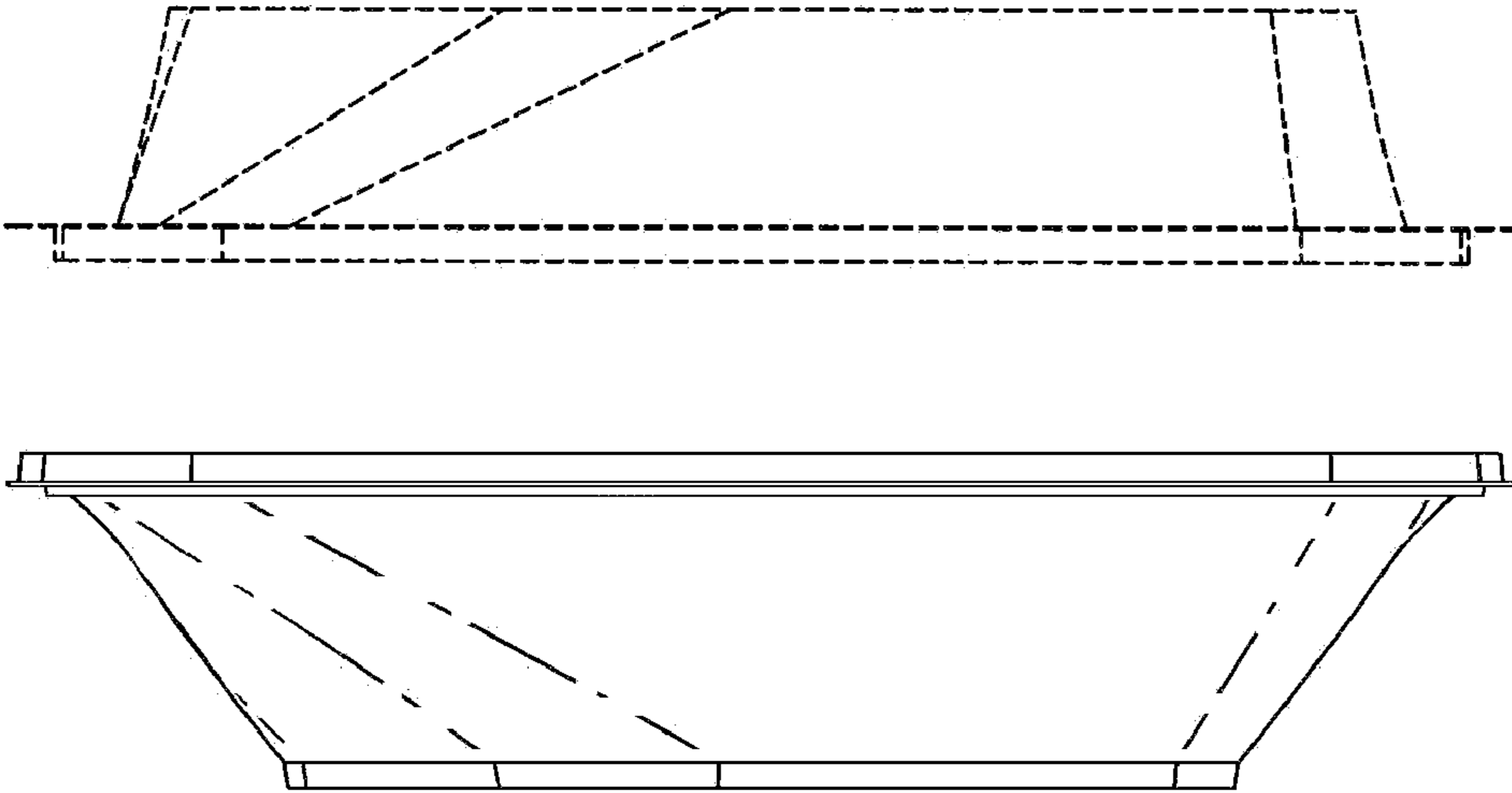


FIGURE 2

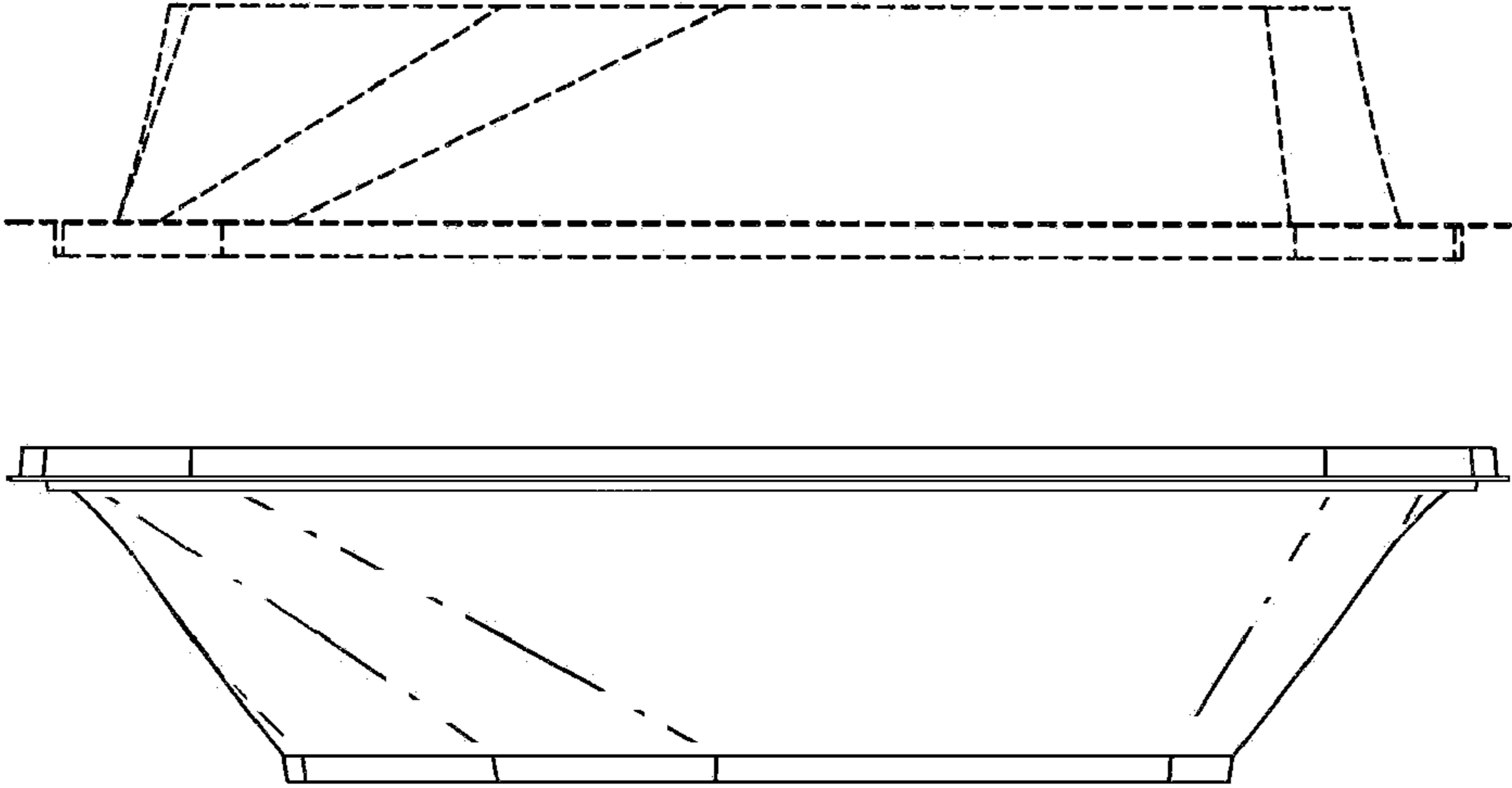


FIGURE 3

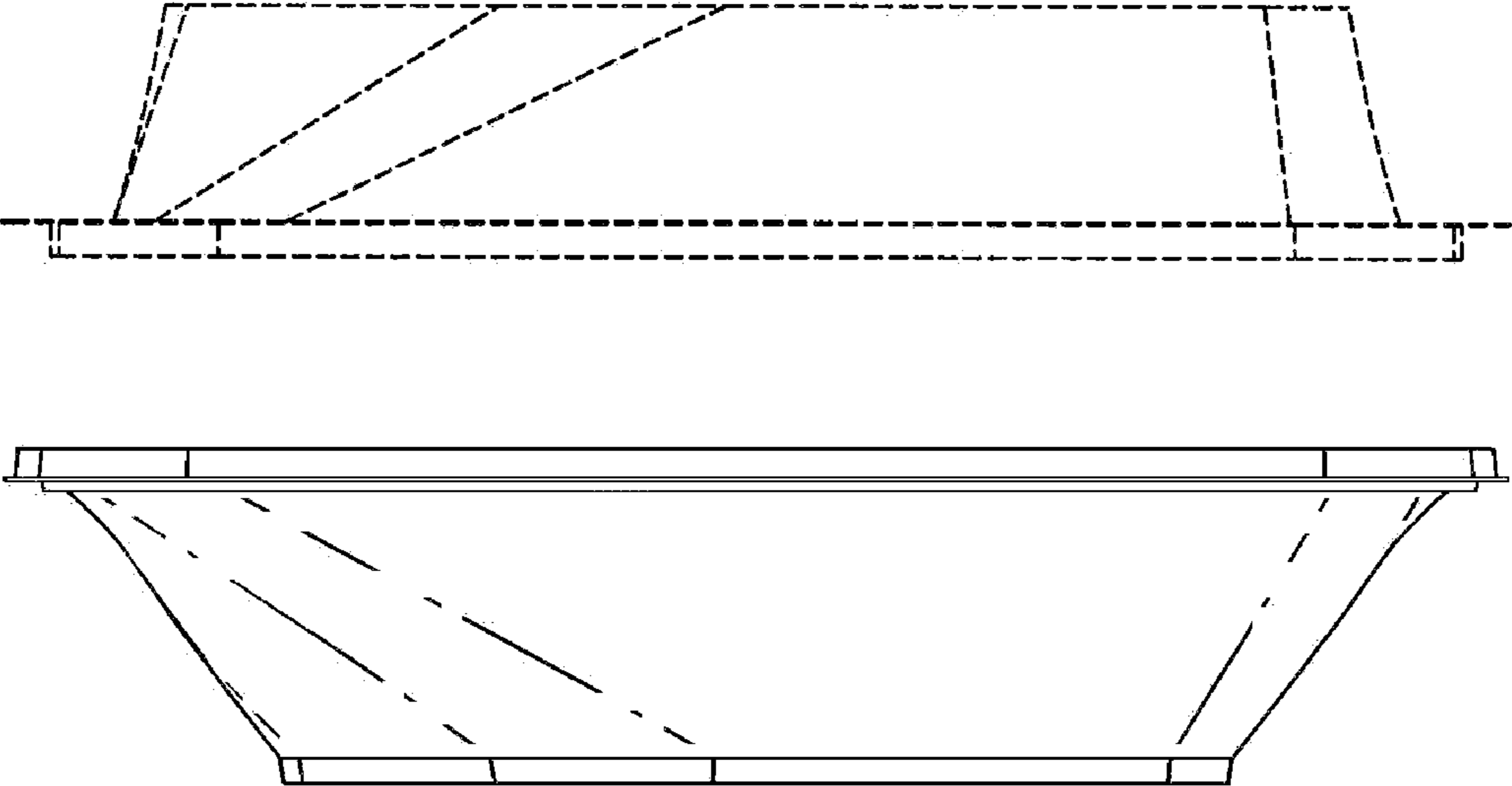


FIGURE 4

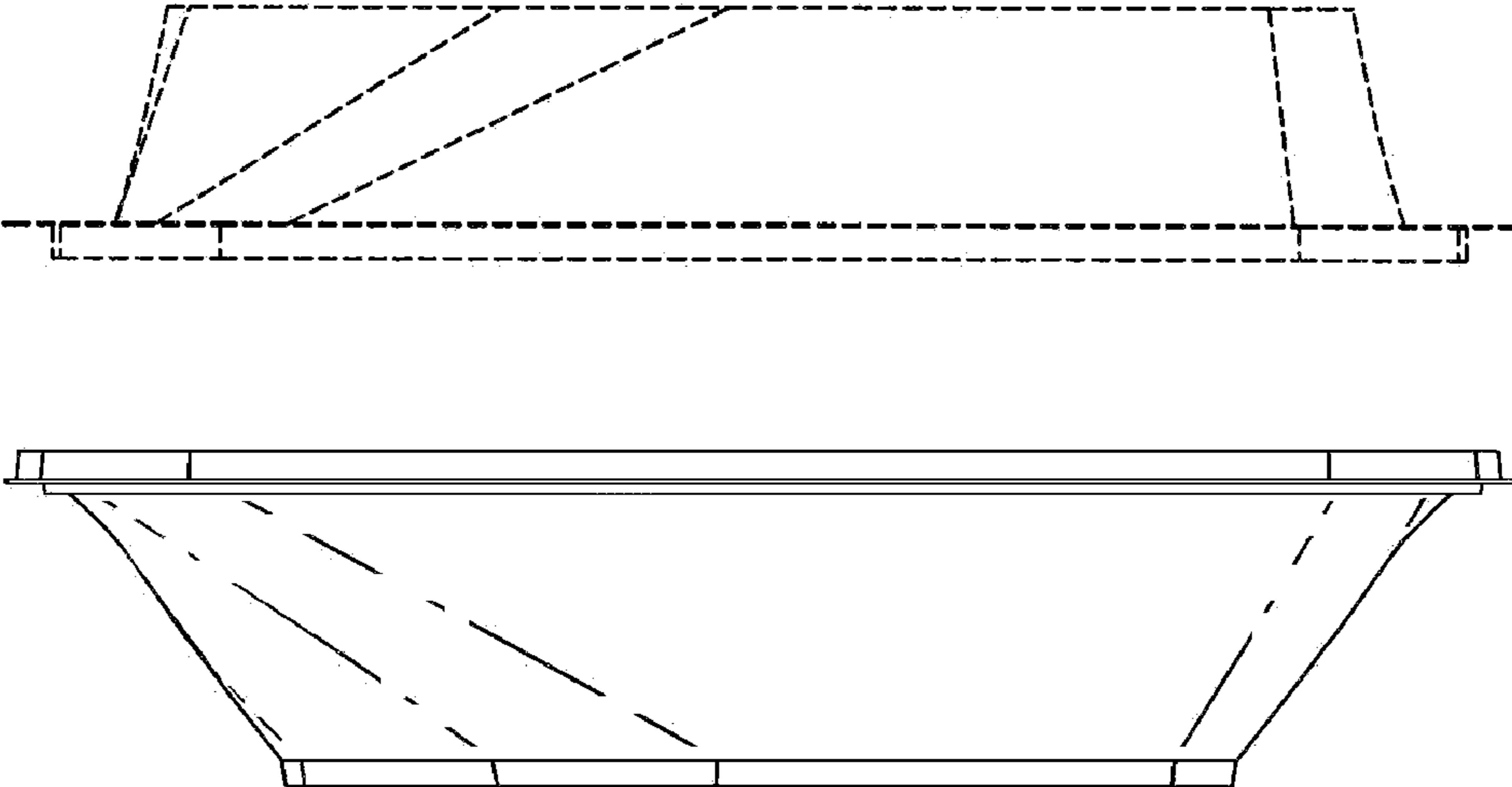


FIGURE 5

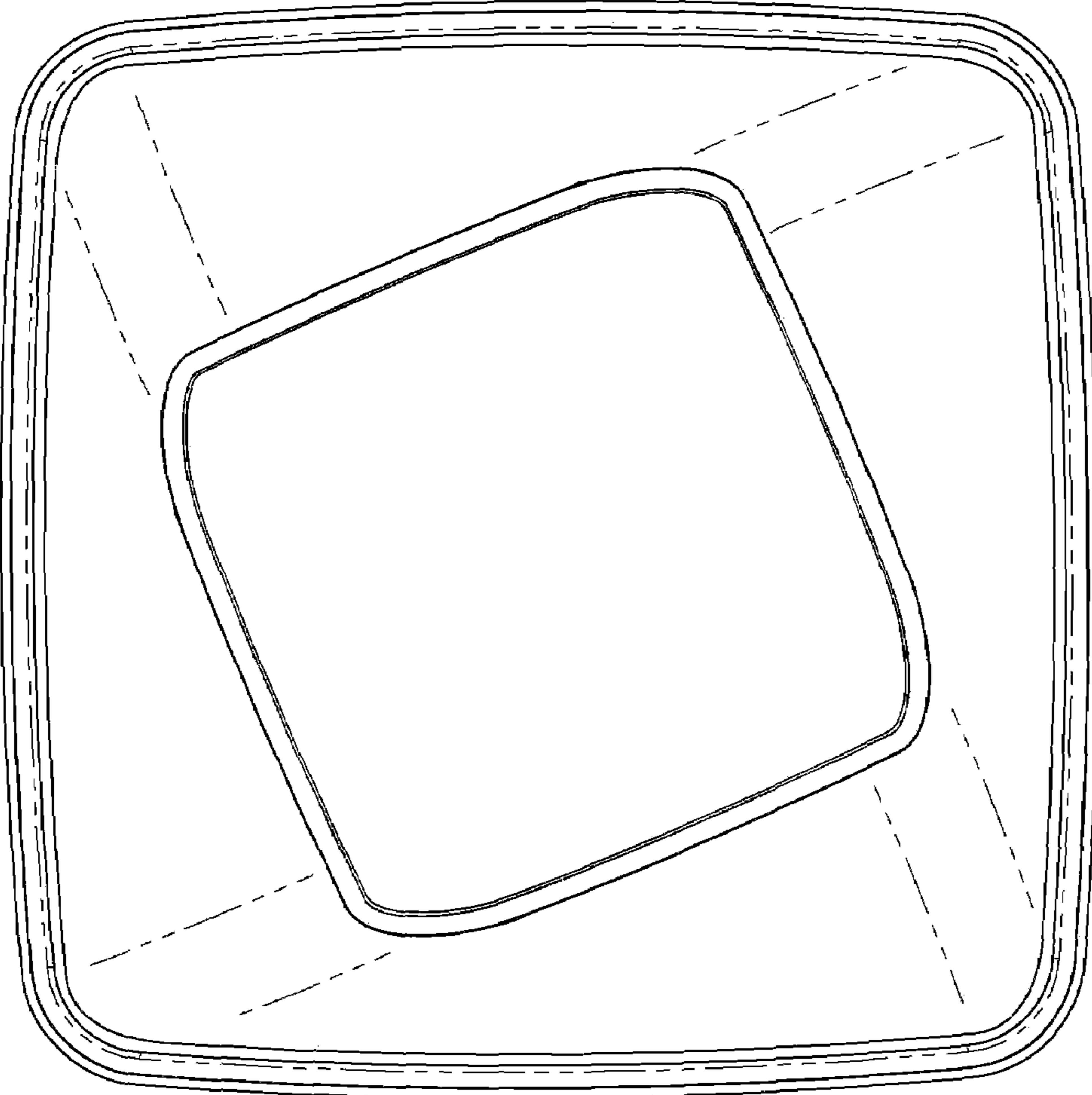


FIGURE 6



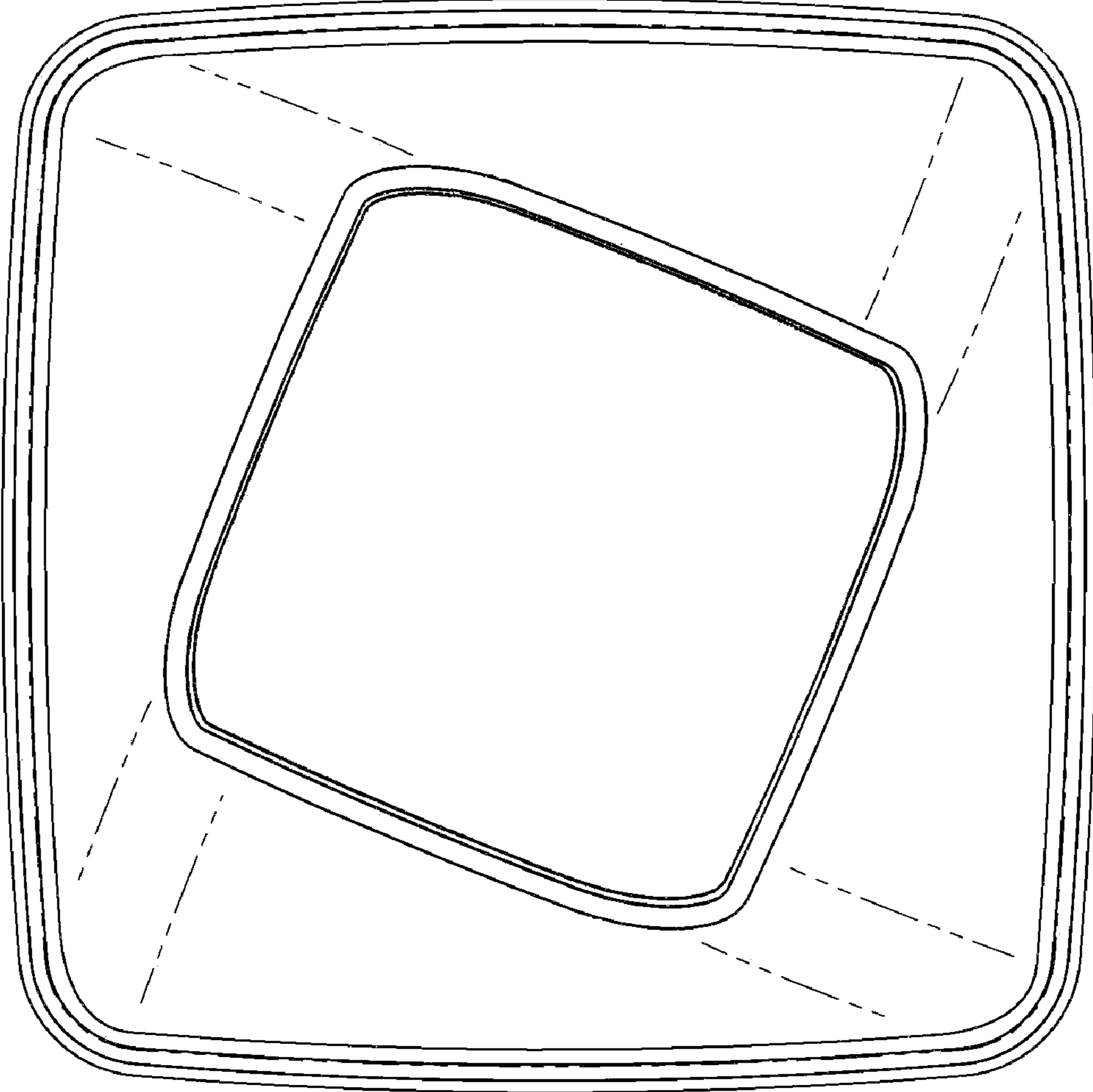


FIGURE 7