



US00D601850S

(12) **United States Design Patent**
Ikuta

(10) **Patent No.:** **US D601,850 S**
(45) **Date of Patent:** **** Oct. 13, 2009**

(54) **STIRRING BLADE FOR A FOOD PROCESSOR**

(76) Inventor: **Naoyuki Ikuta**, 5-1-309, Horiguchi, Kanazawa-ku (JP)

(**) Term: **14 Years**

(21) Appl. No.: **29/328,085**

(22) Filed: **Nov. 18, 2008**

(51) **LOC (9) Cl.** **07-02**

(52) **U.S. Cl.** **D7/412; D7/376; D7/378; D7/384**

(58) **Field of Classification Search** D7/306-313, D7/317-318, 326, 356, 376-386, 392, 397-399, D7/412-415, 607, 665, 693; D15/12, 28, D15/138; 99/348, 509-511; 241/101.1, 241/274-278.2, 282.2, 285.1-285.3, 291, 241/292.1; 366/64-67, 98, 129, 192, 197-211, 366/251, 270, 279-292, 312, 327.3, 343
See application file for complete search history.

(56) **References Cited**

U.S. PATENT DOCUMENTS

941,948	A *	11/1909	Rees	366/327.3
2,576,802	A *	11/1951	Morris	241/101.1
2,799,485	A *	7/1957	Silverman	366/312
3,166,303	A *	1/1965	Chapman	366/129

3,333,831	A *	8/1967	Chapman	366/129
D254,133	S *	2/1980	Sheldon	D15/12
4,260,267	A *	4/1981	Walton	366/343
6,250,797	B1 *	6/2001	Weetman	366/270
D524,329	S *	7/2006	Sheperd	D15/28
D566,143	S *	4/2008	Rosso et al.	D15/138
2006/0158959	A1 *	7/2006	Huang	366/251

* cited by examiner

Primary Examiner—Caron Veynar

Assistant Examiner—Ricky Pham

(74) *Attorney, Agent, or Firm*—Ronald E. Greigg

(57) **CLAIM**

The ornamental design for a stirring blade for a food processor, as shown.

DESCRIPTION

FIG. 1 is a front view of a stirring blade for a food processor showing my new design;

FIG. 2 is a plan view thereof;

FIG. 3 is a right side view thereof;

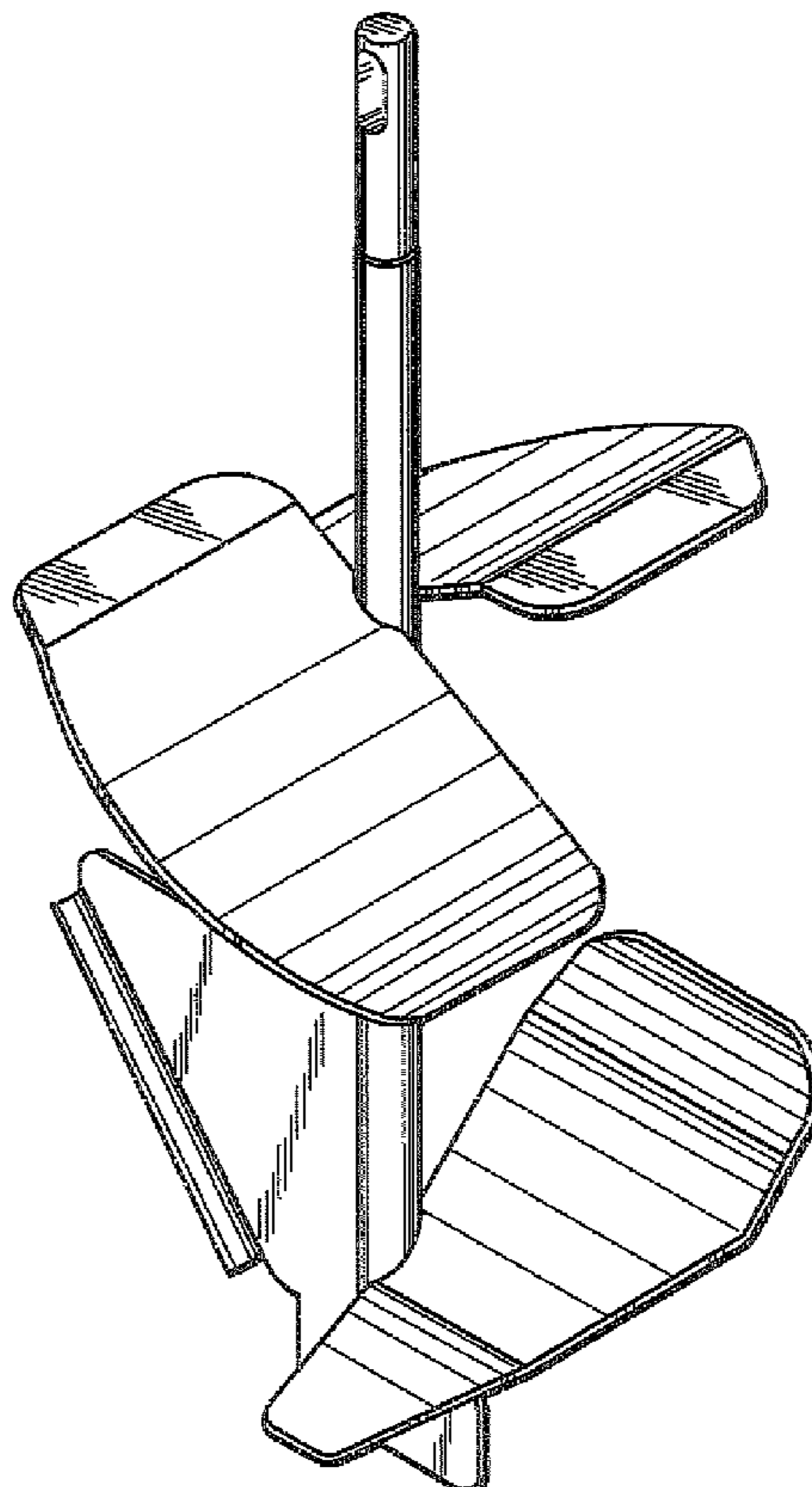
FIG. 4 is a back view thereof;

FIG. 5 is a bottom view thereof;

FIG. 6 is a left side view thereof; and,

FIG. 7 is a perspective view thereof.

1 Claim, 7 Drawing Sheets



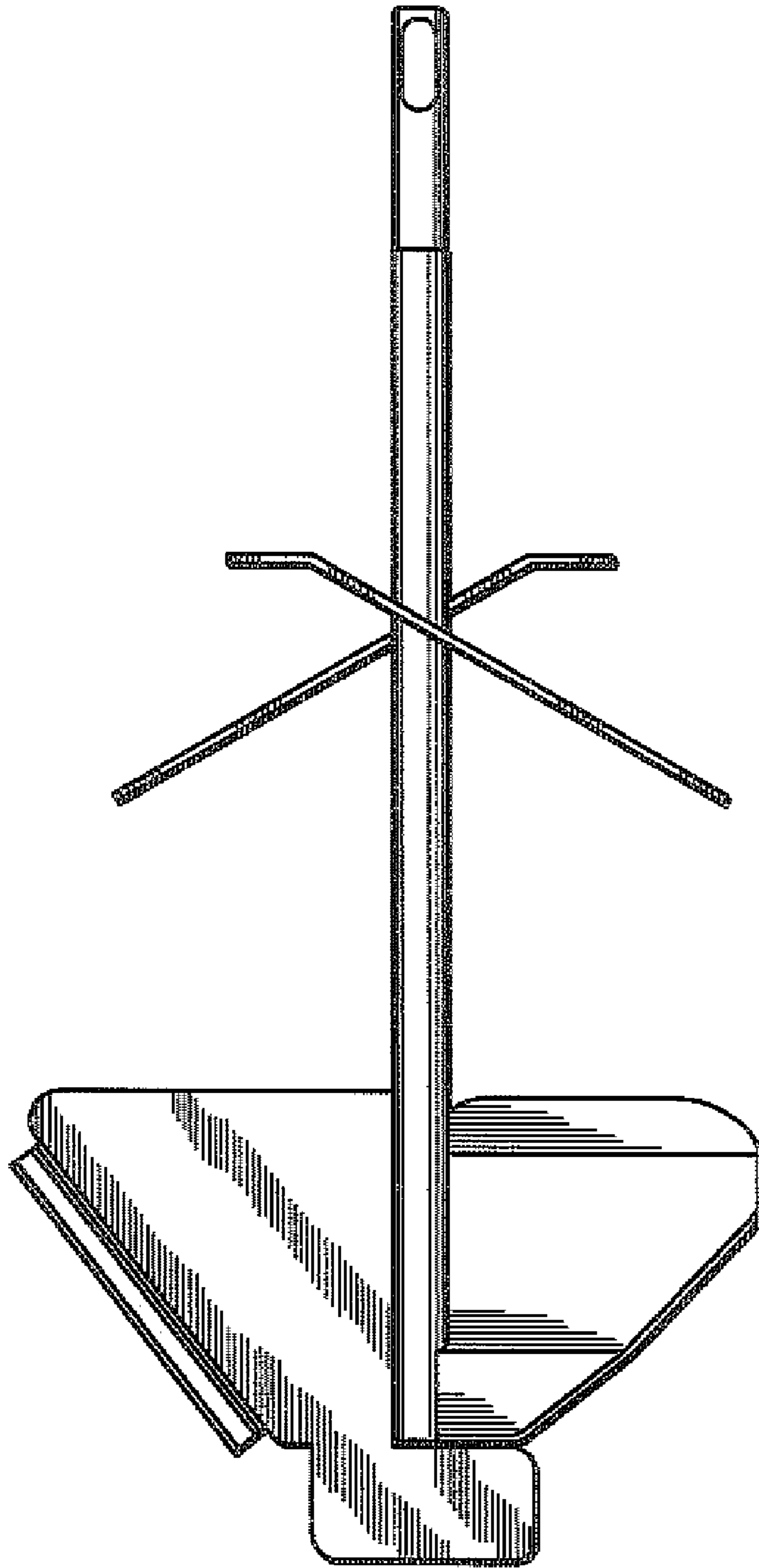


FIG. 1

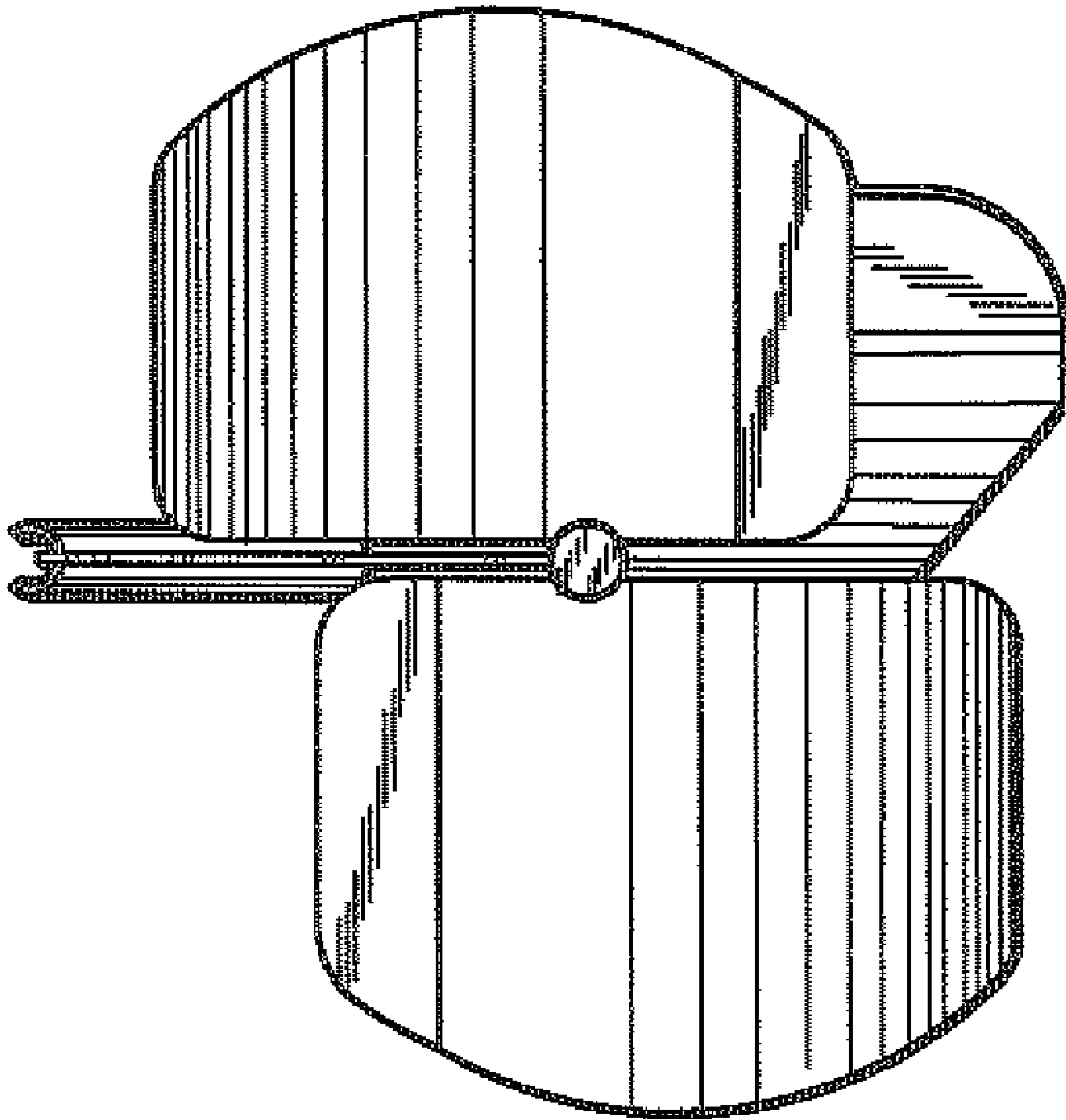


FIG. 2

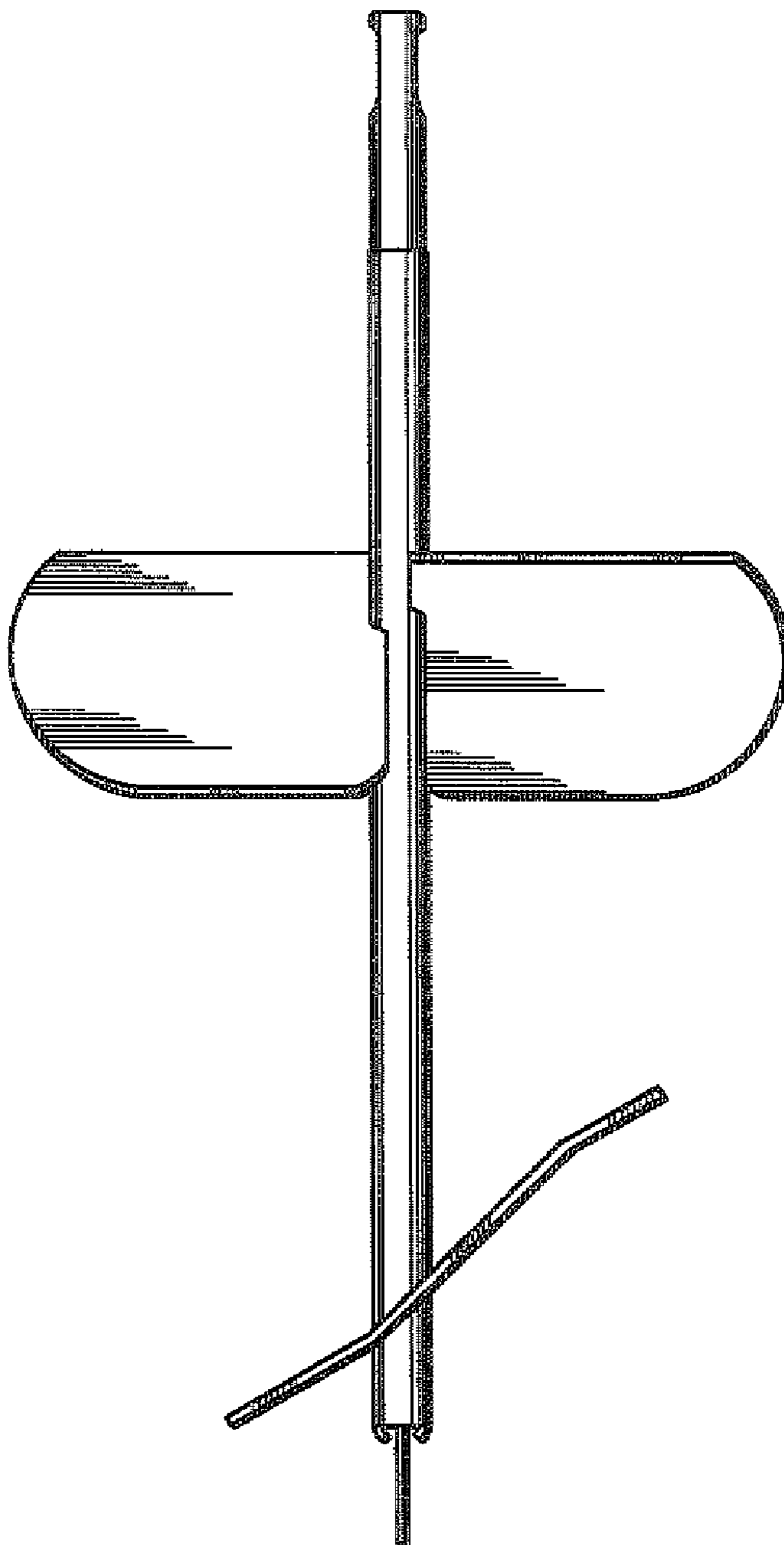


FIG. 3

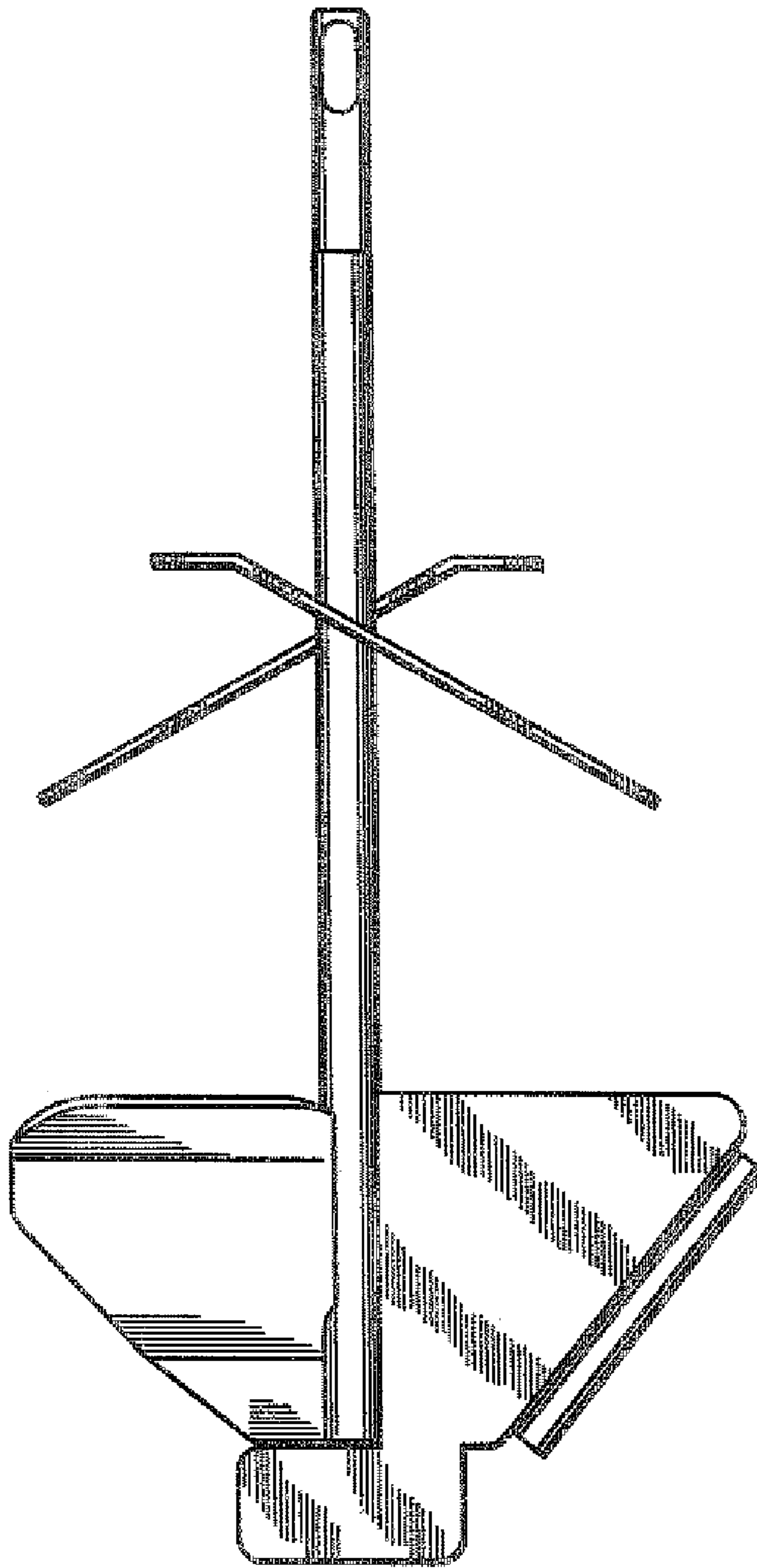


FIG. 4

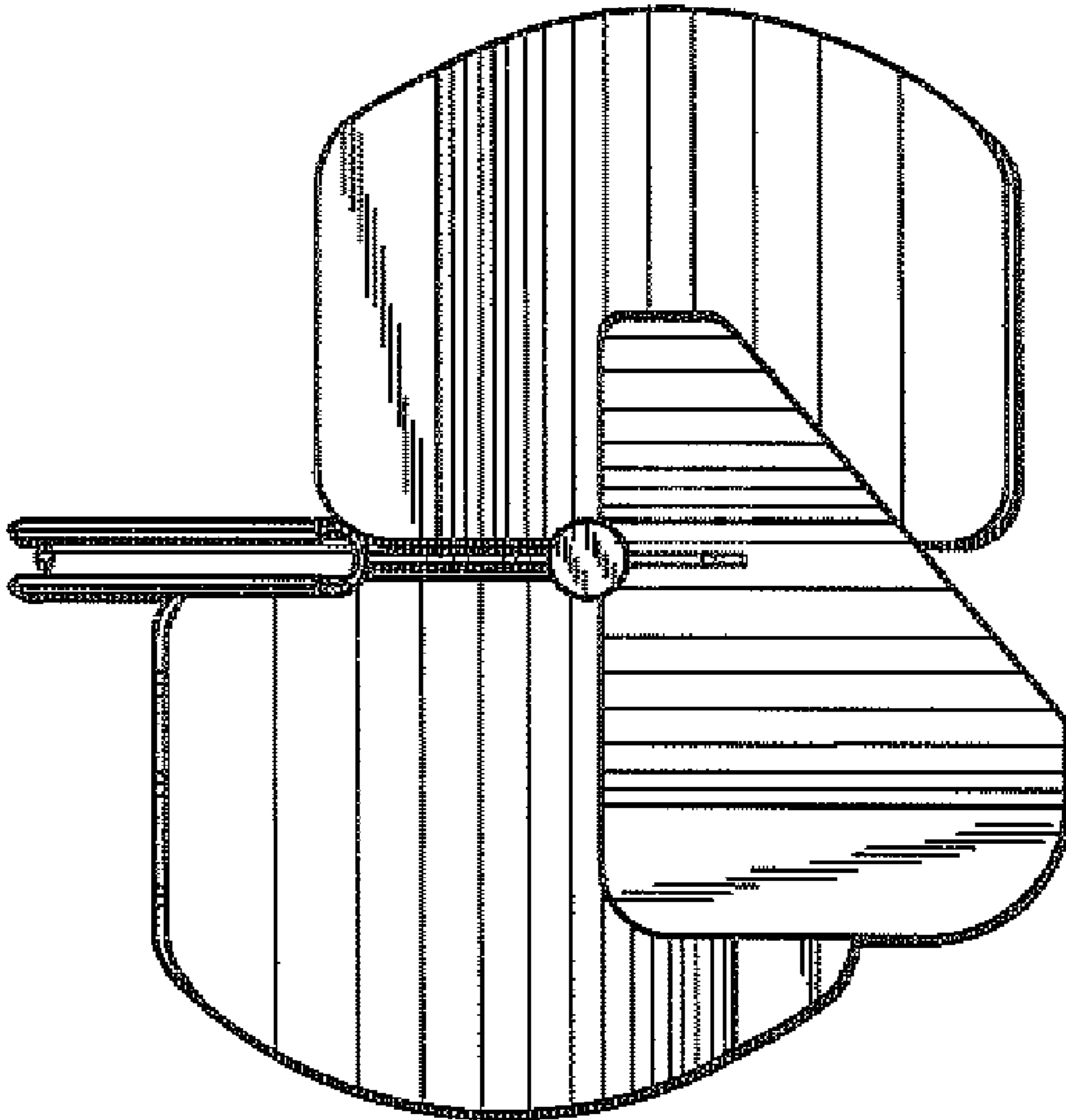


FIG. 5

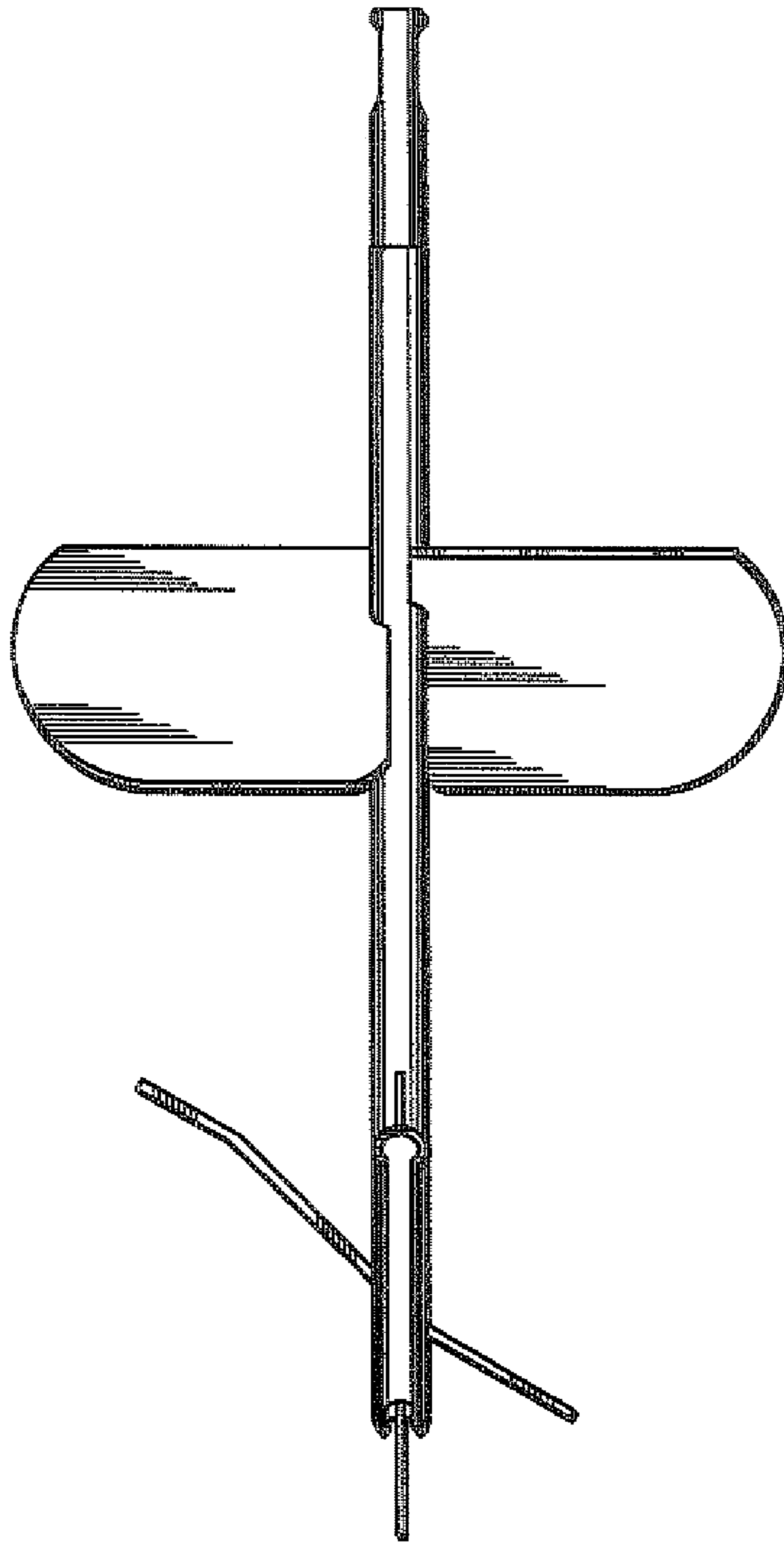


FIG. 6

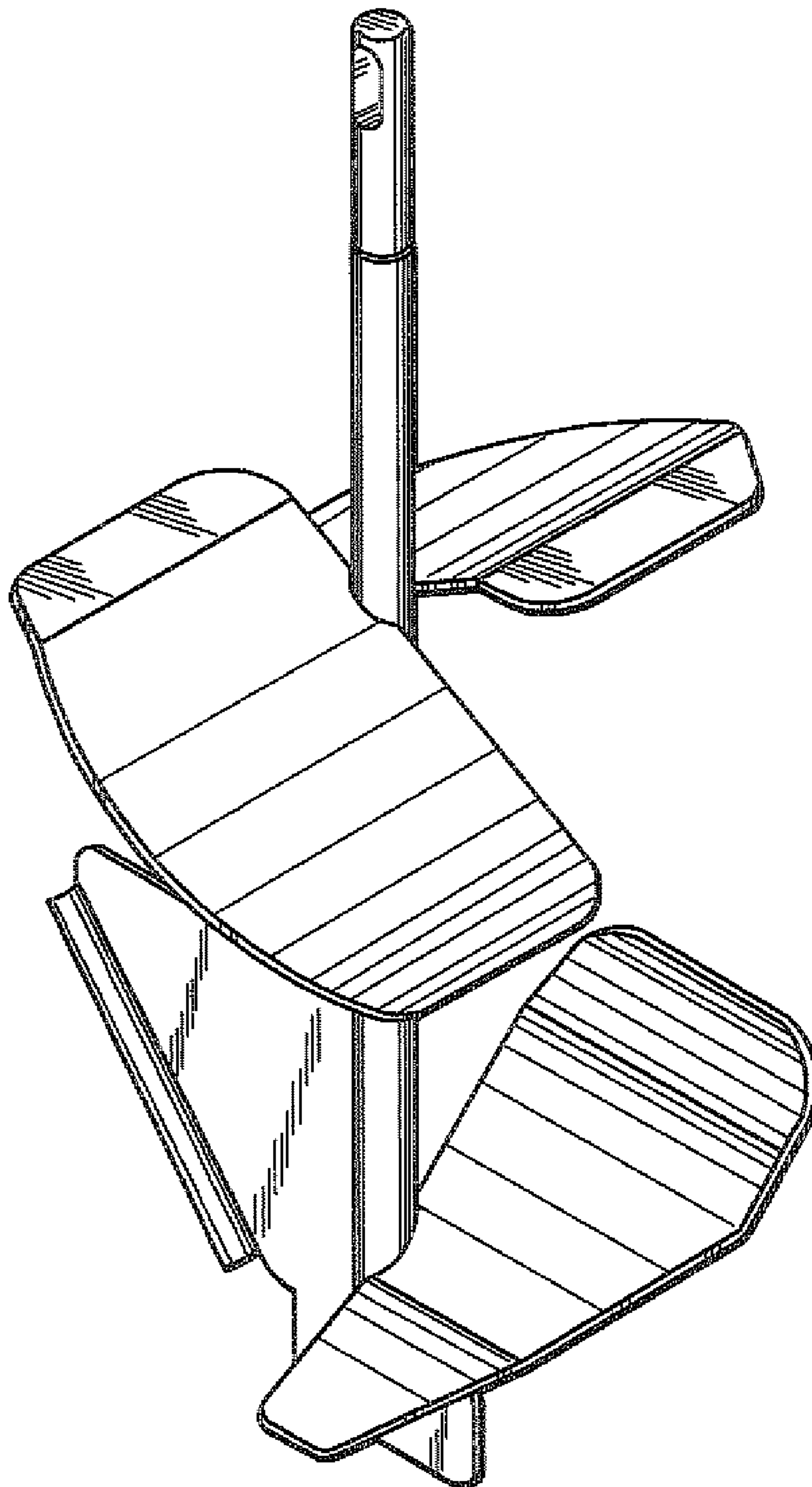


FIG. 7