



US00D601846S

(12) **United States Design Patent**  
**Rousselin et al.**

(10) **Patent No.:** **US D601,846 S**

(45) **Date of Patent:** **\*\* Oct. 13, 2009**

(54) **TEA MACHINE**

D569,163 S \* 5/2008 Gu et al. .... D7/307  
D582,714 S \* 12/2008 Hensel .... D7/309

(75) Inventors: **Frank Rousselin**, Voiron cedex (FR);  
**Ghislain Janet Maitre**, Voiron cedex  
(FR); **Pascal Prudhomme**, Voiron cedex  
(FR)

\* cited by examiner

(73) Assignee: **Societe des Produits Nestle S.A.**, Vevey  
(CH)

*Primary Examiner*—Marianne Pandozzi  
(74) *Attorney, Agent, or Firm*—K&L Gates LLP

(\*\*) Term: **14 Years**

(57) **CLAIM**

(21) Appl. No.: **29/333,061**

The ornamental design for a tea machine, as shown and described.

(22) Filed: **Mar. 2, 2009**

**DESCRIPTION**

(30) **Foreign Application Priority Data**

Nov. 3, 2008 (CH) ..... 135533

(51) **LOC (9) Cl.** ..... **07-01**

(52) **U.S. Cl.** ..... **D7/306; D7/309; D7/311**

(58) **Field of Classification Search** ..... D7/300,  
D7/305-312; 222/185.1, 129.1-129.4; 99/295,  
99/275, 300, 302, 306; D20/1, 4, 5; D15/82  
See application file for complete search history.

FIG. 1 illustrates a front perspective view of the tea machine showing my new design;

FIG. 2 illustrates a right side perspective view thereof;

FIG. 3 illustrates a front elevation view thereof;

FIG. 4 illustrates a rear elevation view thereof;

FIG. 5 illustrates a right side elevation view thereof;

FIG. 6 illustrates a left side elevation view thereof;

FIG. 7 illustrates a top plan view thereof; and,

FIG. 8 illustrates a bottom plan view thereof.

(56) **References Cited**

**U.S. PATENT DOCUMENTS**

D377,576 S \* 1/1997 Amiel ..... D7/309  
D562,616 S \* 2/2008 Tonelli ..... D7/306

**1 Claim, 5 Drawing Sheets**

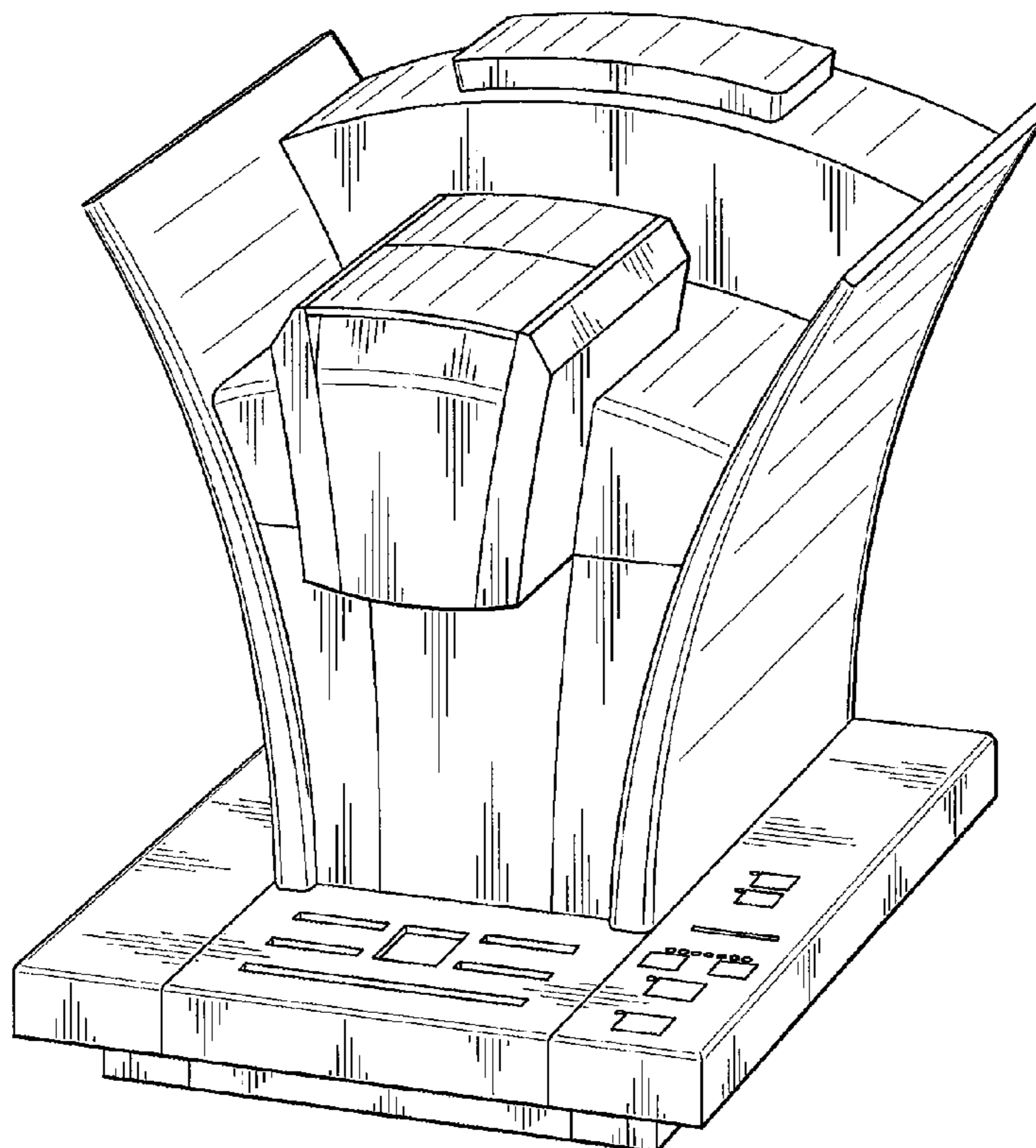


FIG. 1

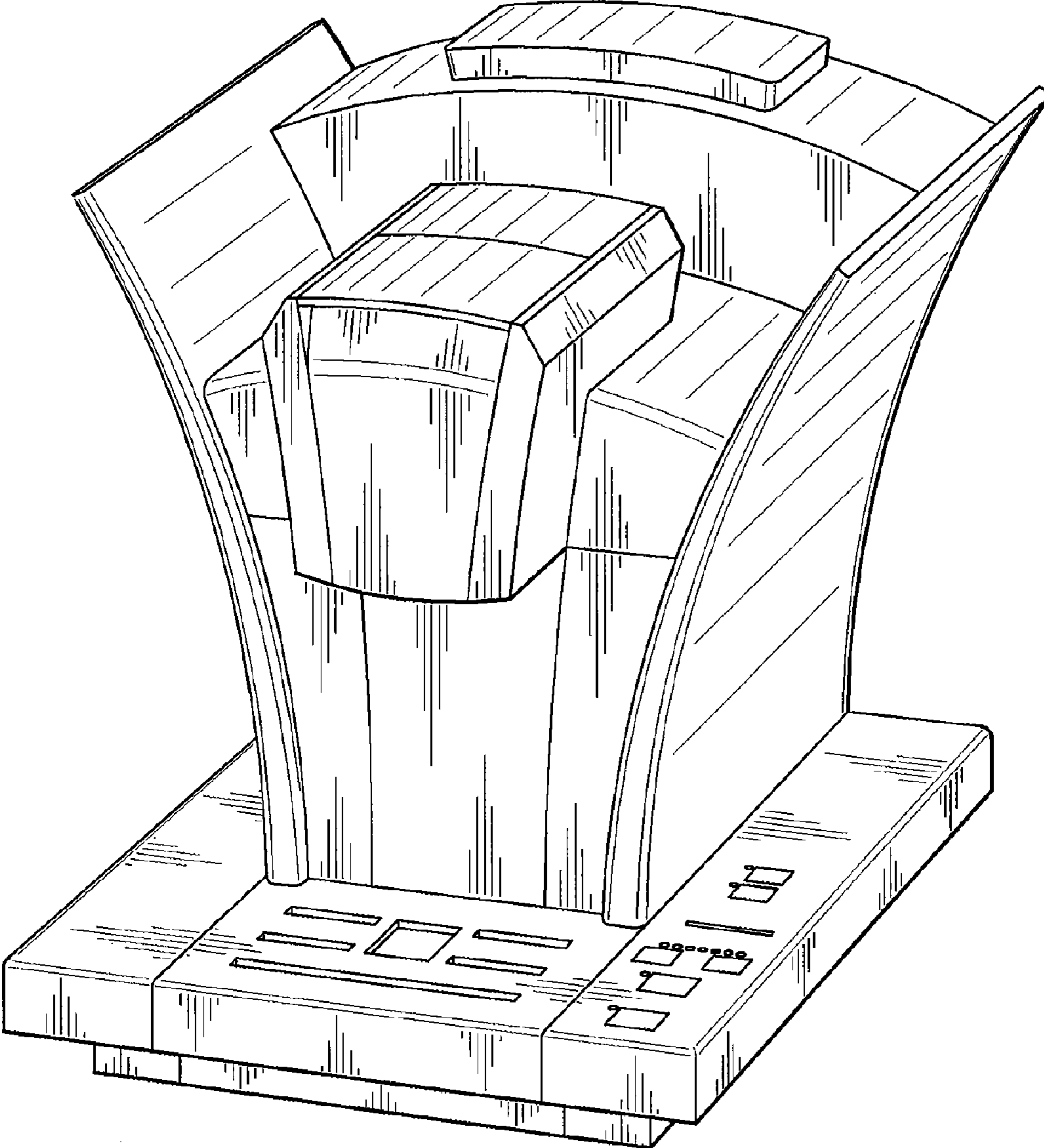


FIG. 2

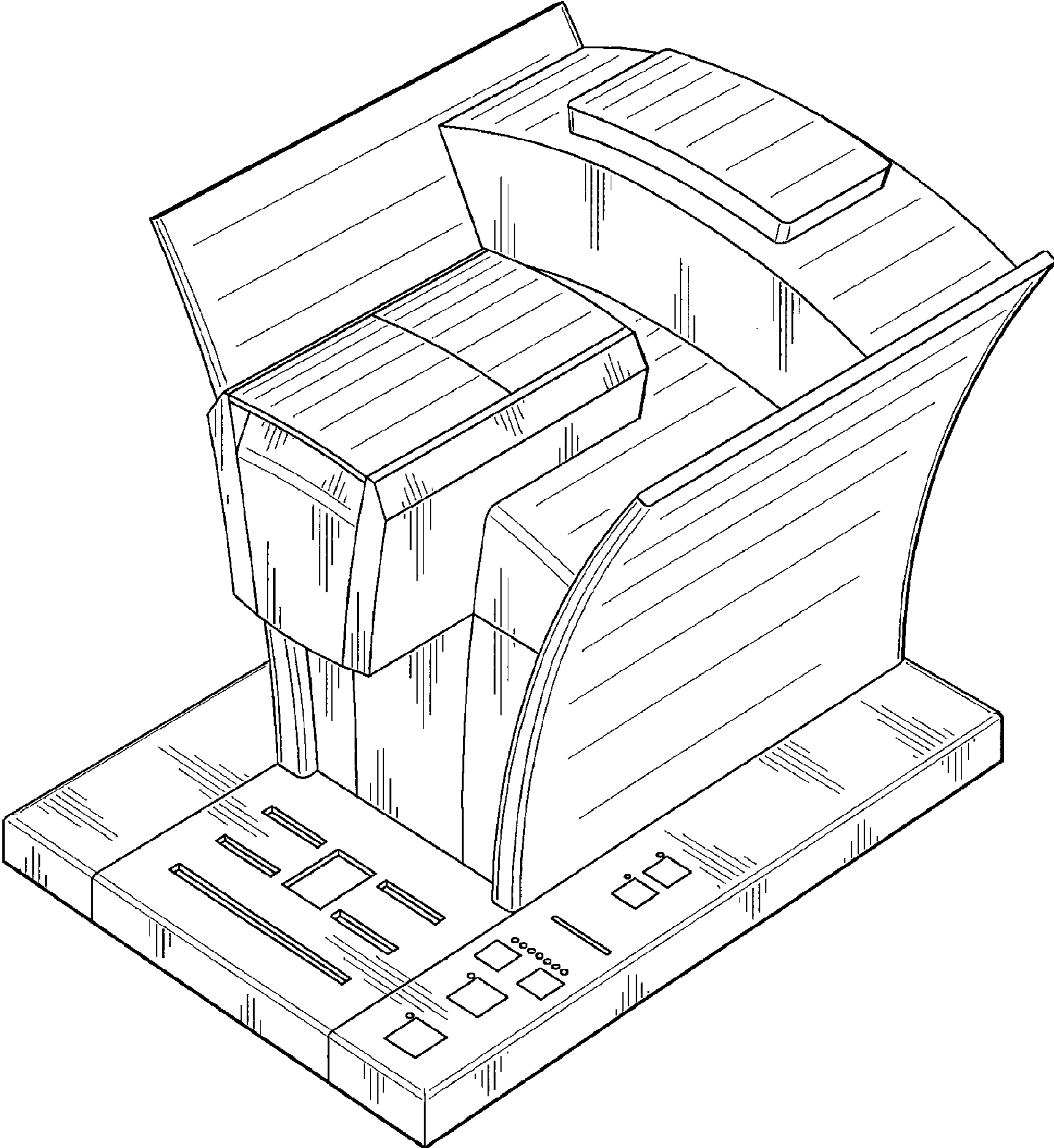


FIG. 3

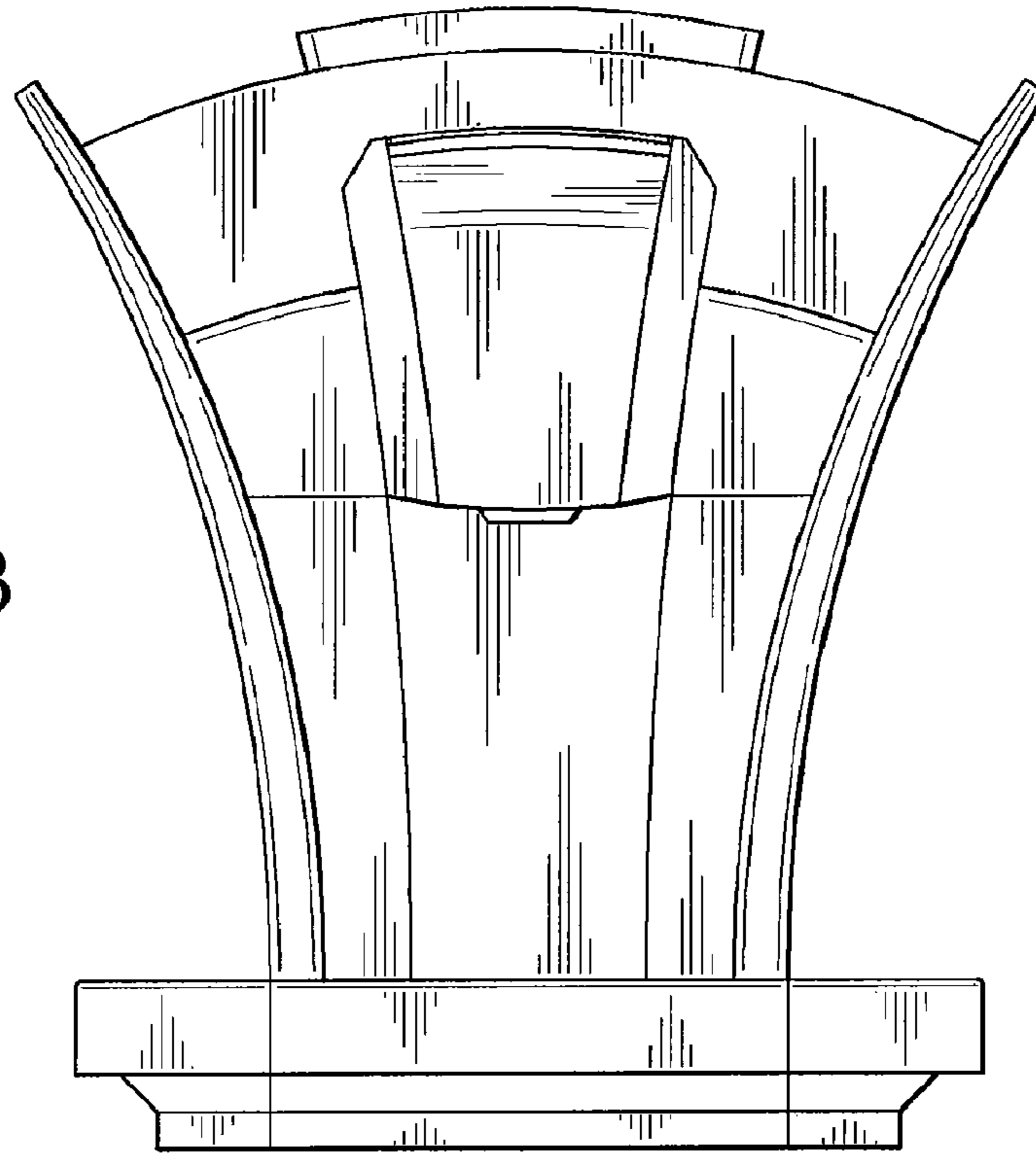


FIG. 4

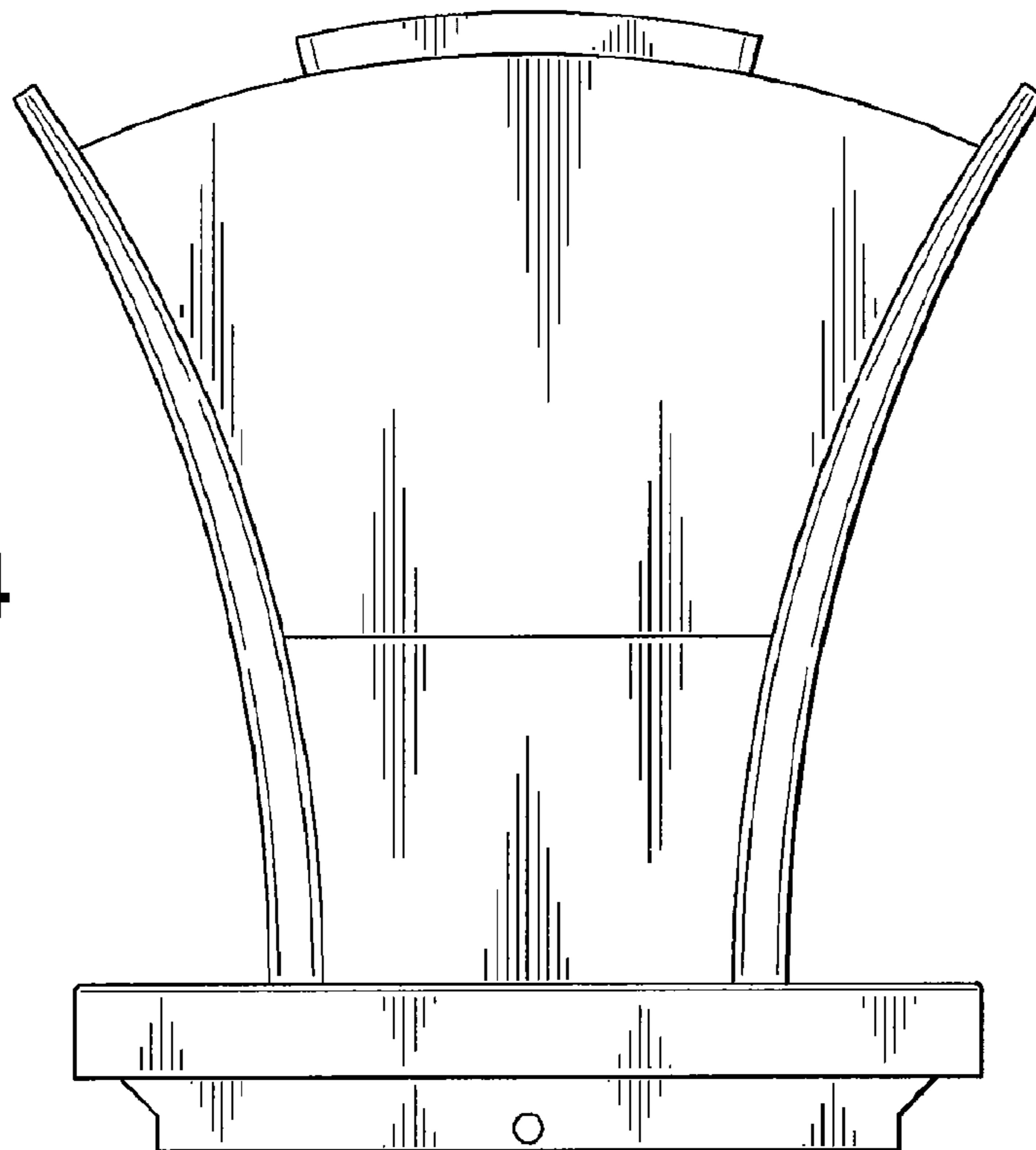


FIG. 5



FIG. 6

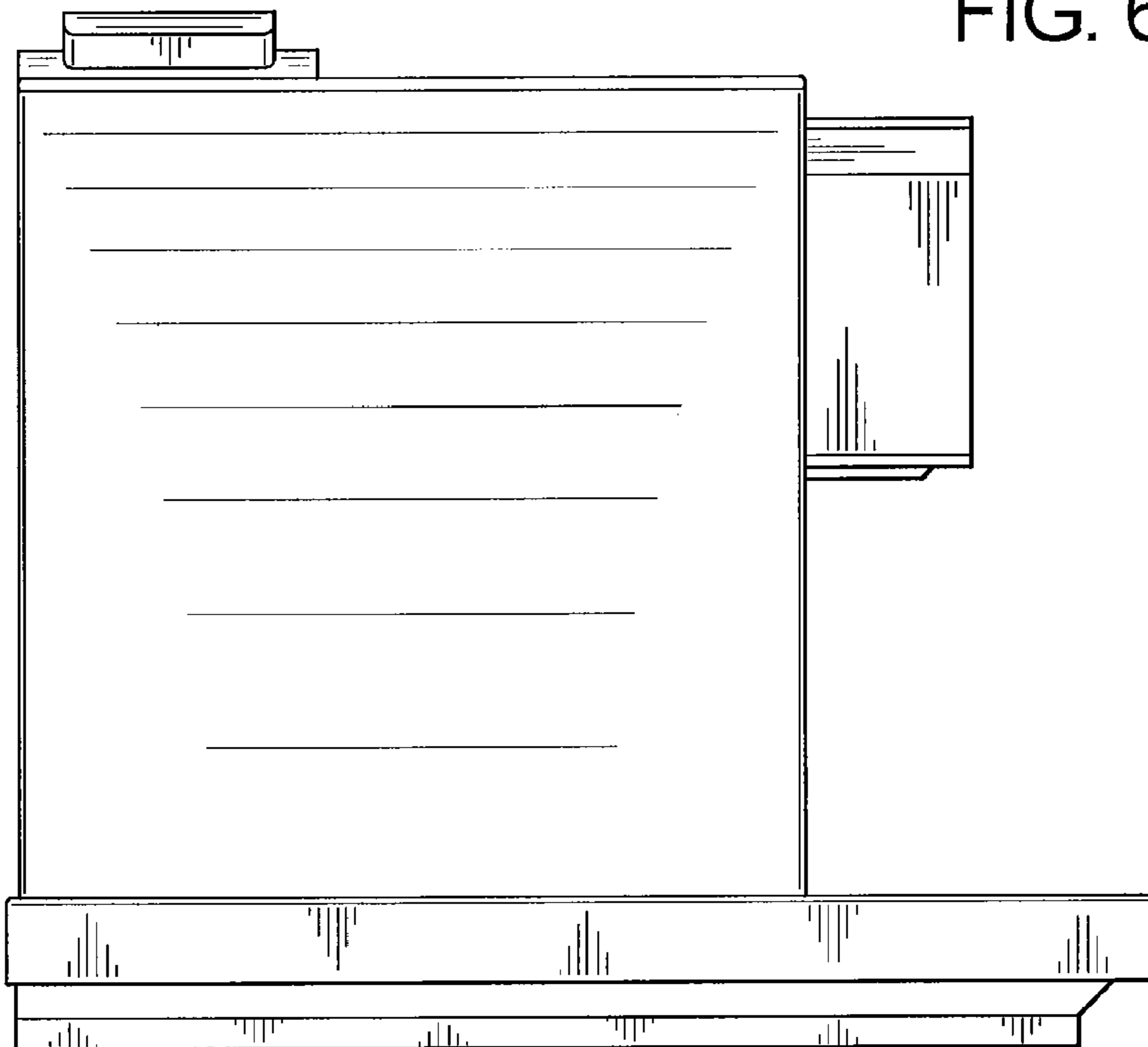


FIG. 7

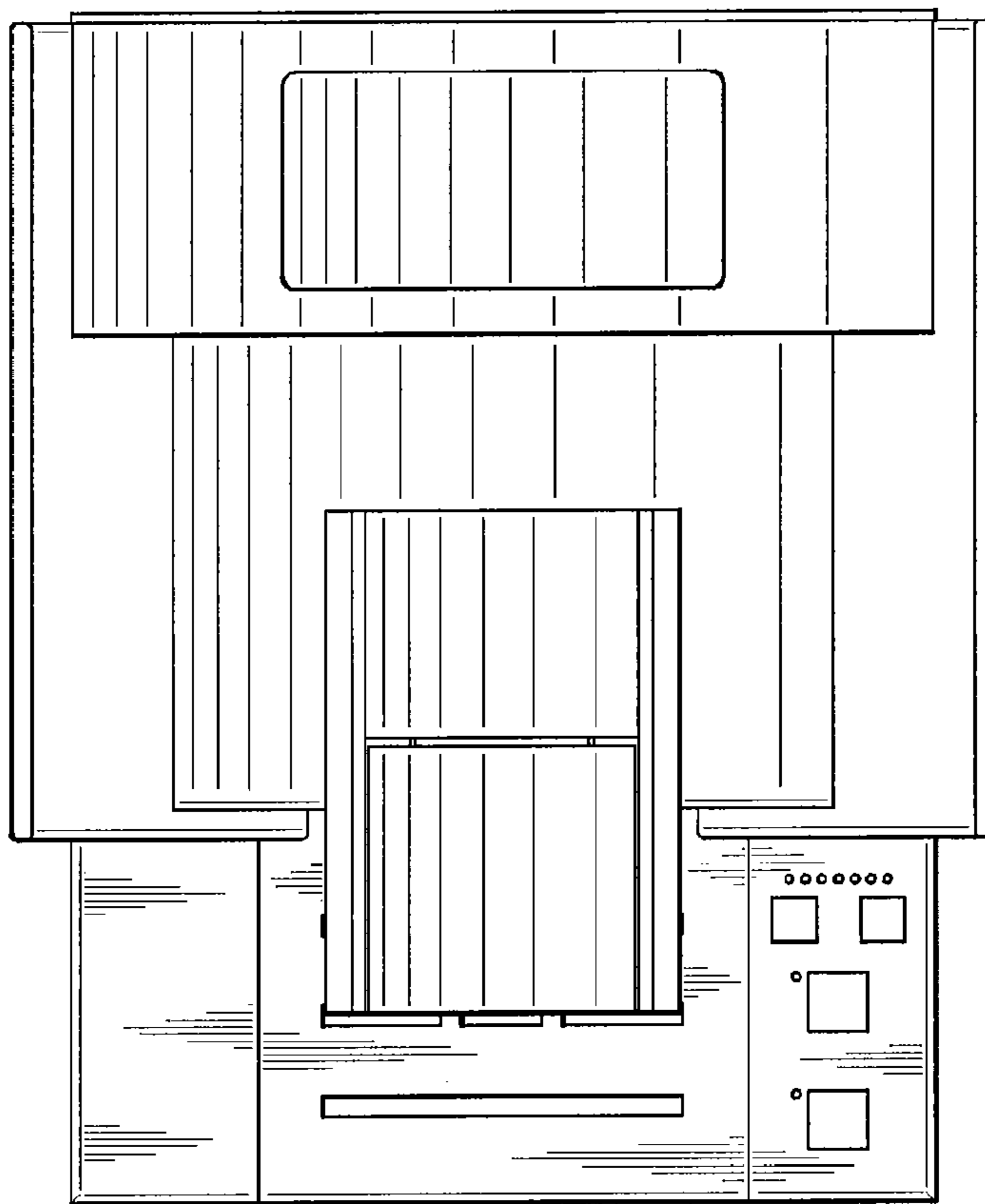


FIG. 8

