



US00D601844S

(12) **United States Design Patent**
Miller

(10) **Patent No.:** **US D601,844 S**

(45) **Date of Patent:** **** *Oct. 13, 2009**

(54) **STADIUM SEAT COVER**

(75) Inventor: **Nikki Miller**, Manhattan, KS (US)

(73) Assignee: **Cushion Seats, Inc.**, Manhattan, KS (US)

(*) Notice: This patent is subject to a terminal disclaimer.

(**) Term: **14 Years**

(21) Appl. No.: **29/333,681**

(22) Filed: **Mar. 13, 2009**

Related U.S. Application Data

(63) Continuation of application No. 29/302,201, filed on Jan. 11, 2008, now Pat. No. Des. 588,393.

(51) **LOC (9) Cl.** **06-13**

(52) **U.S. Cl.** **D6/611**

(58) **Field of Classification Search** D6/611, D6/610, 616, 615, 334, 491, 500-502, 336, D6/601; 297/228.1, 228.11, 229, 219.12, 297/220, 224; 5/653; D30/118
See application file for complete search history.

(56) **References Cited**

U.S. PATENT DOCUMENTS

D293,282 S * 12/1987 Ashford D6/502
5,029,350 A * 7/1991 Edelson 297/229
D328,506 S * 8/1992 McMahon D30/118
D357,609 S * 4/1995 Webb et al. D6/501
D360,308 S * 7/1995 Smith et al. D6/611

D363,951 S * 11/1995 Chatman D6/334
D369,929 S * 5/1996 Perry D6/501
D413,733 S * 9/1999 Edmonds D6/336
D428,720 S * 8/2000 Rutherford D6/356
D449,947 S * 11/2001 Schoefer D6/500
D474,934 S * 5/2003 Ildstad et al. D6/601
6,588,840 B1 * 7/2003 Lombardo 5/653
D553,884 S * 10/2007 Faber et al. D6/500

* cited by examiner

Primary Examiner—T. Chase Nelson

Assistant Examiner—David G Muller

(74) *Attorney, Agent, or Firm*—McAndrews, Held & Malloy, Ltd.

(57) **CLAIM**

The ornamental design for a stadium seat cover, as substantially shown and described.

DESCRIPTION

FIG. 1 is a front left perspective view of a stadium seat cover showing my new design;

FIG. 2 is a left side elevation view thereof;

FIG. 3 is a front elevation view thereof;

FIG. 4 is a back elevation view thereof;

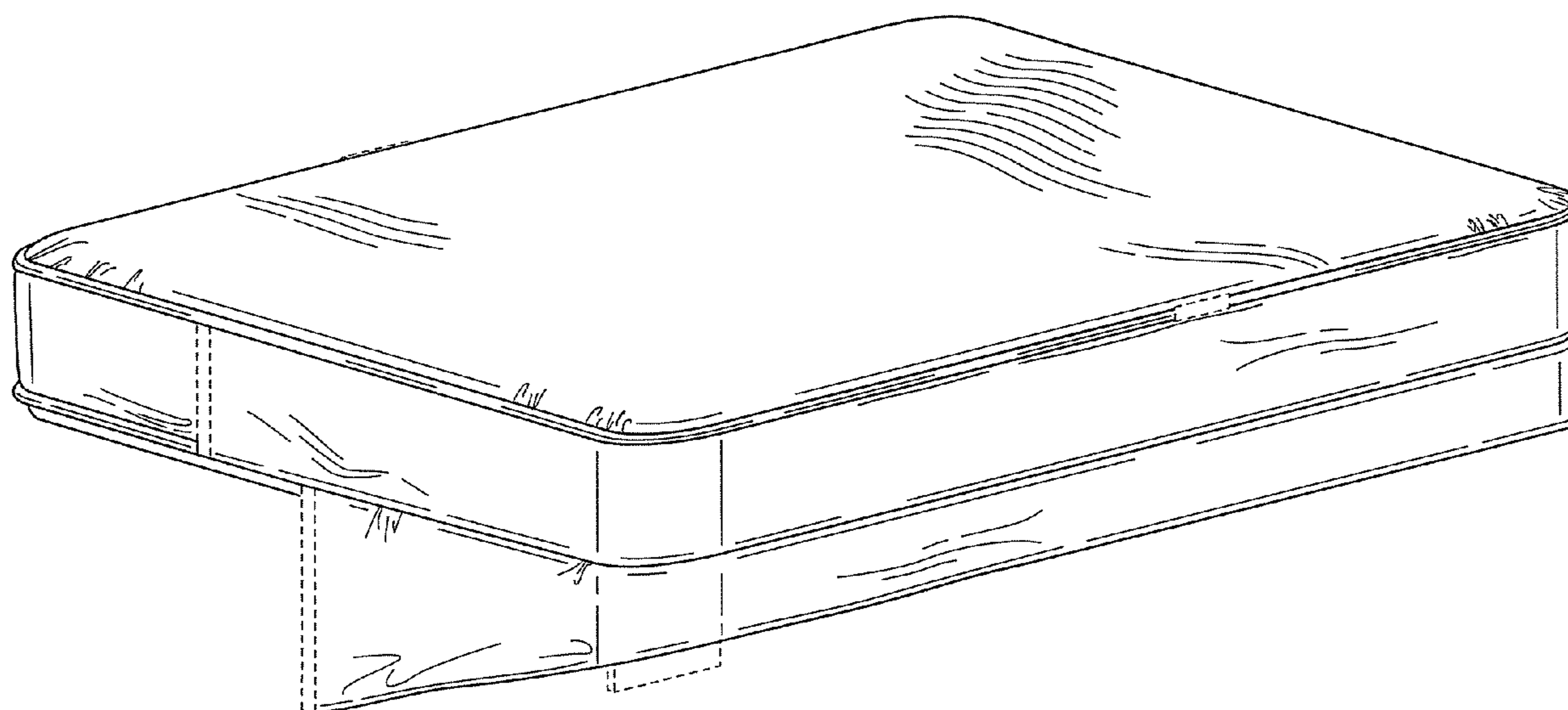
FIG. 5 is a bottom plan view thereof;

FIG. 6 is a top plan view thereof; and,

FIG. 7 is a back left perspective view thereof.

The broken lines in the drawings represent environmental subject matter and form no part of the claimed design.

1 Claim, 5 Drawing Sheets



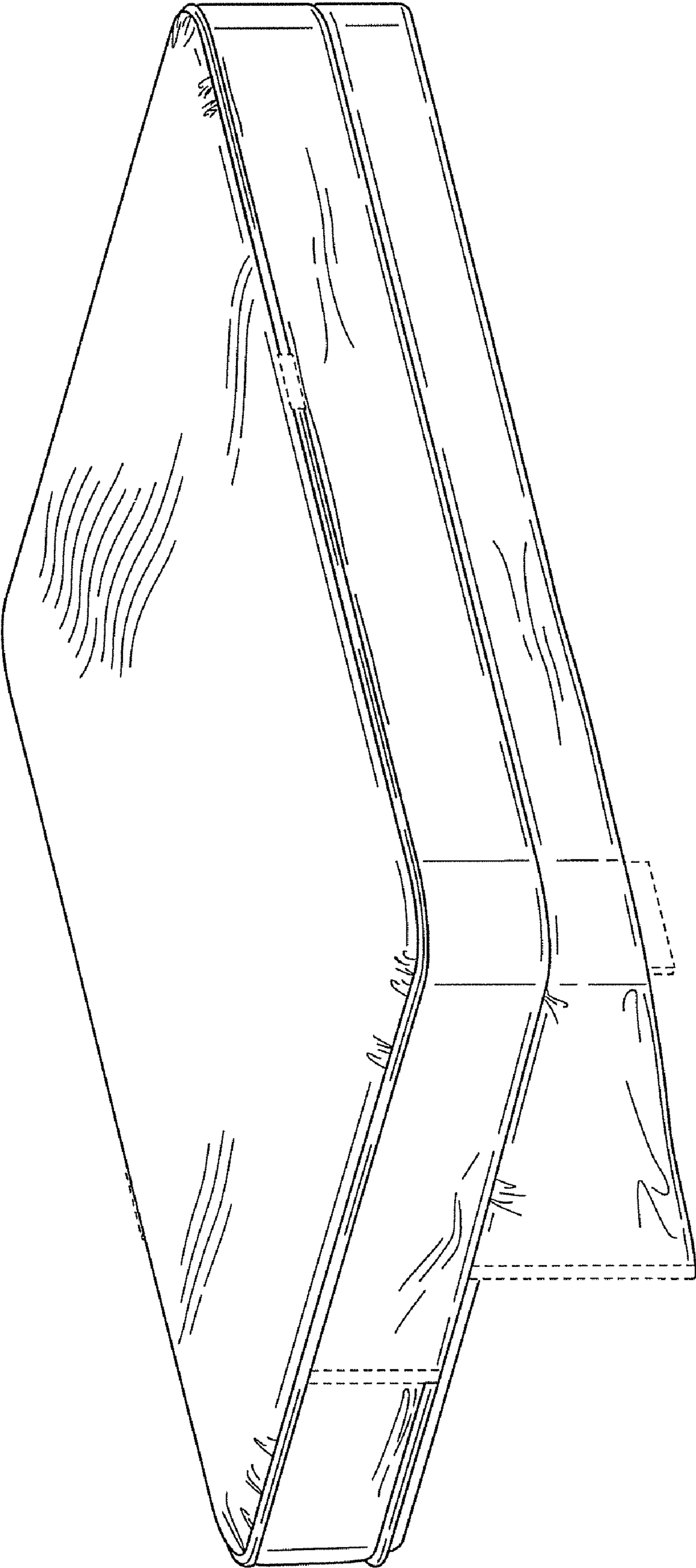


FIG. 1

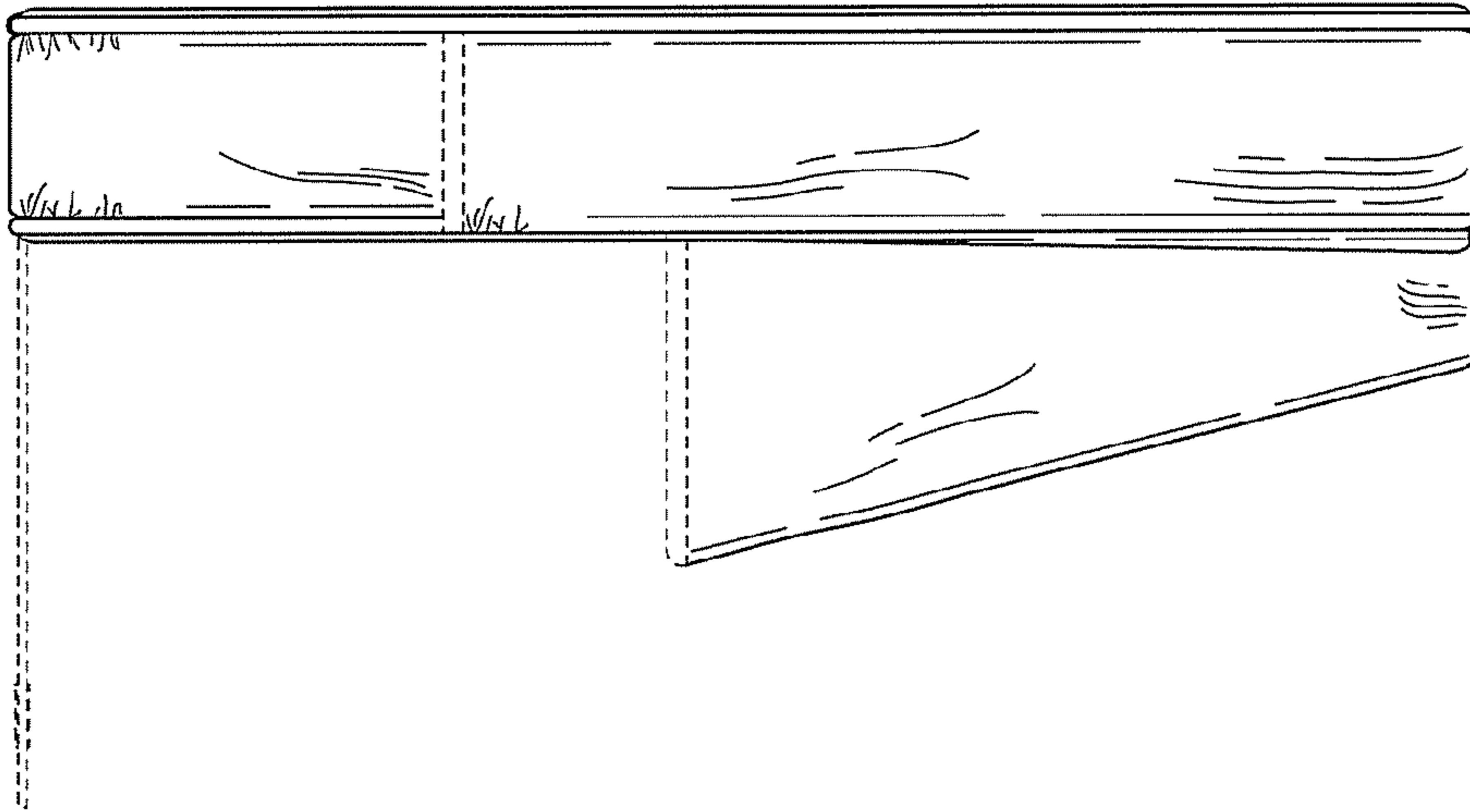


FIG. 2

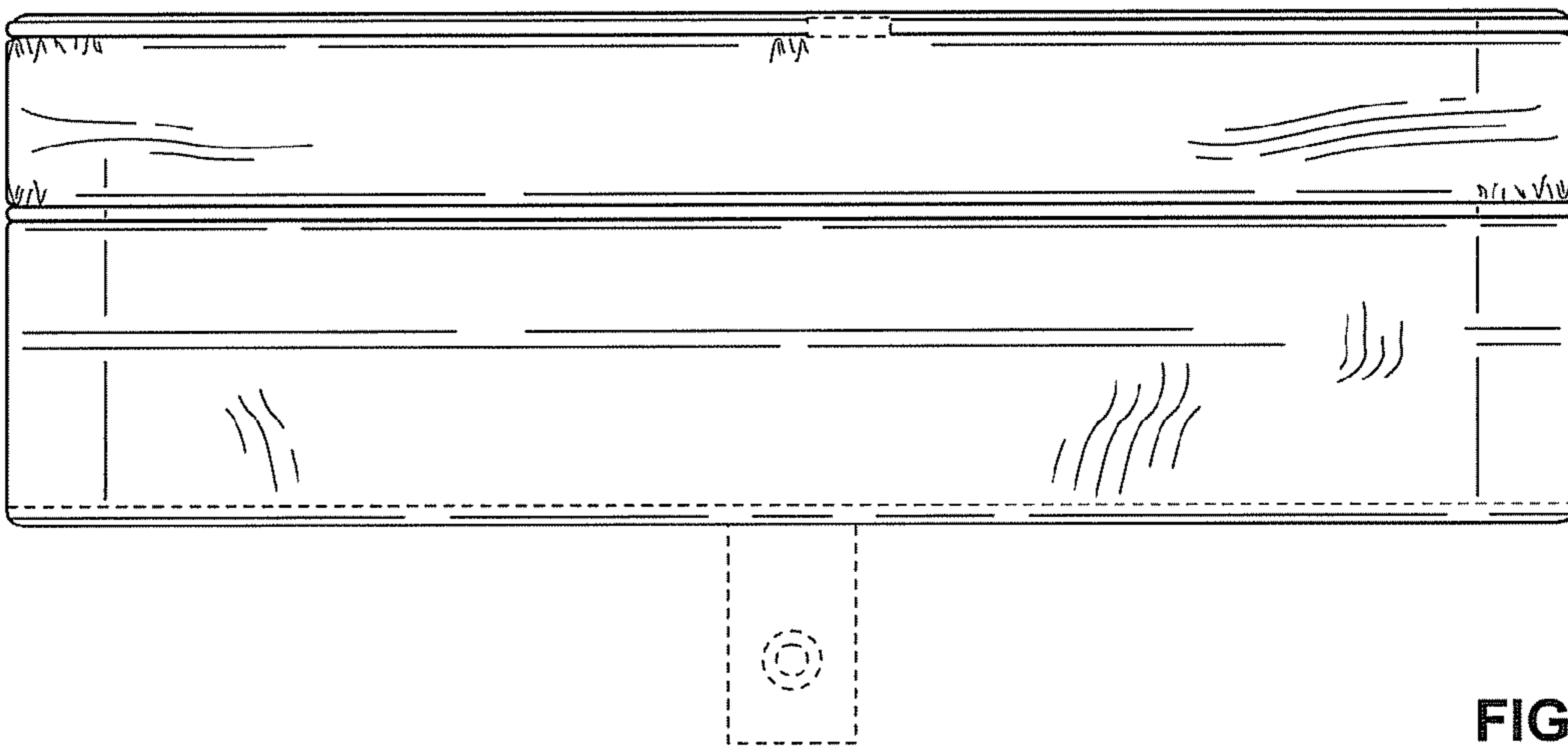


FIG. 3

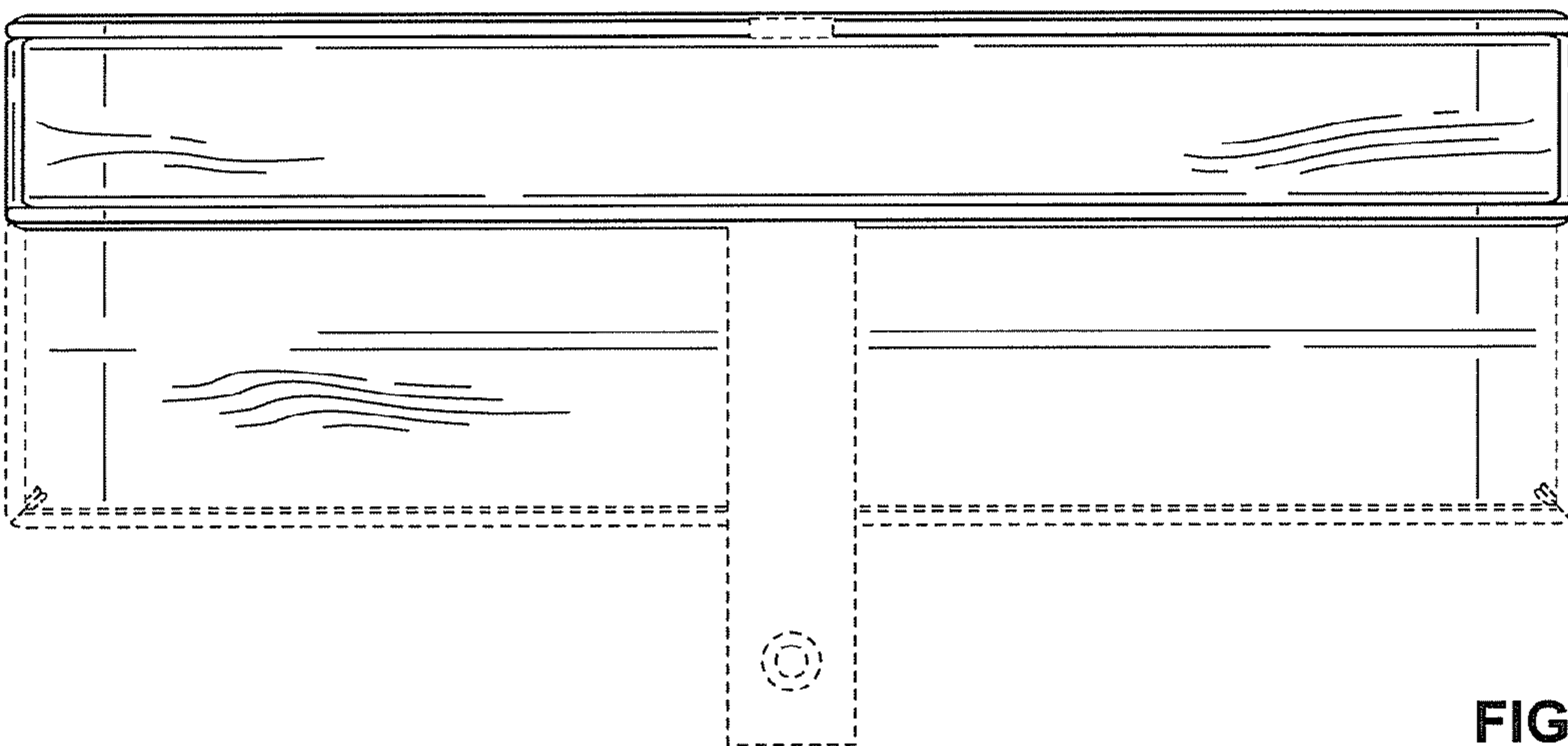


FIG. 4

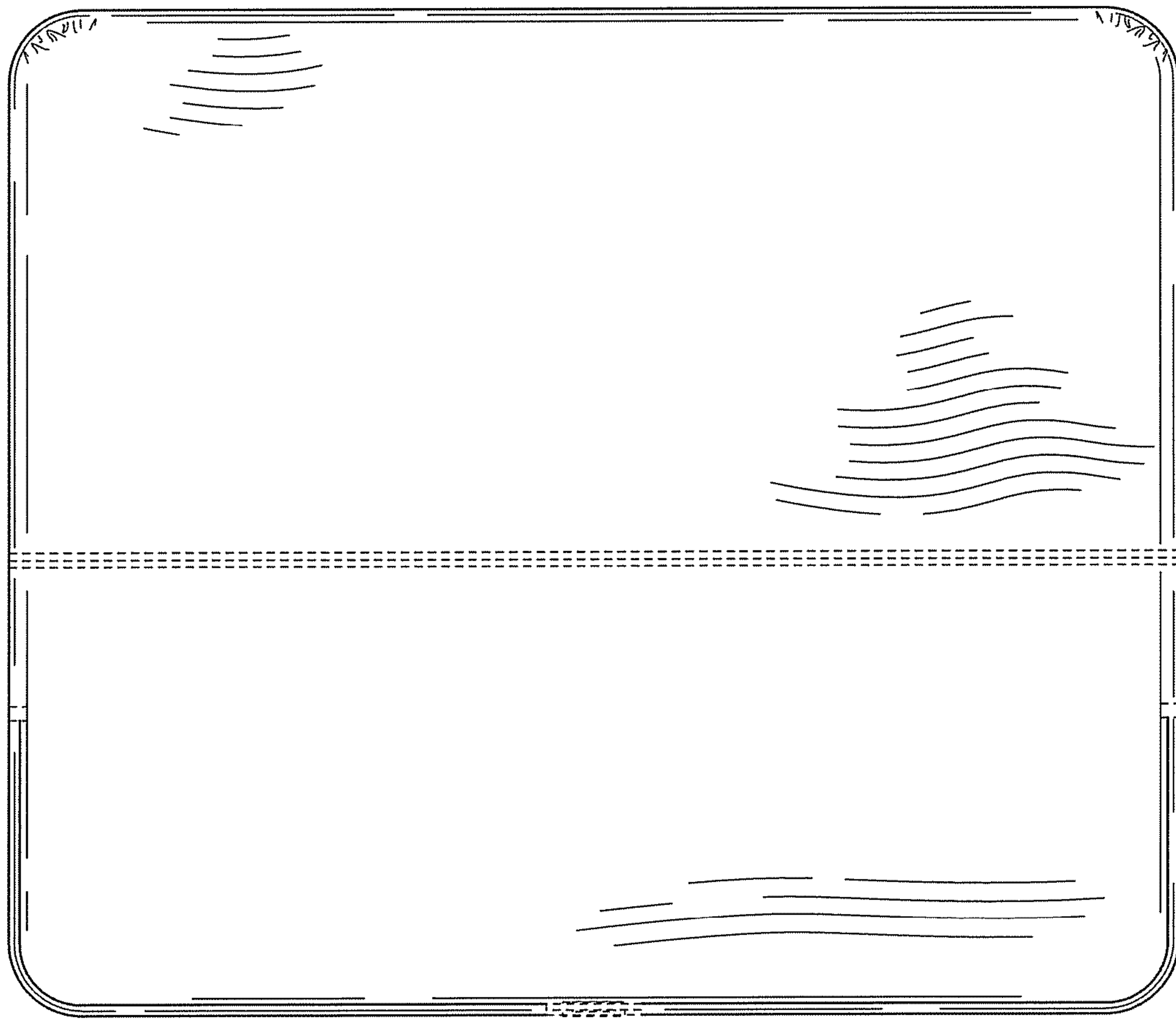


FIG. 5

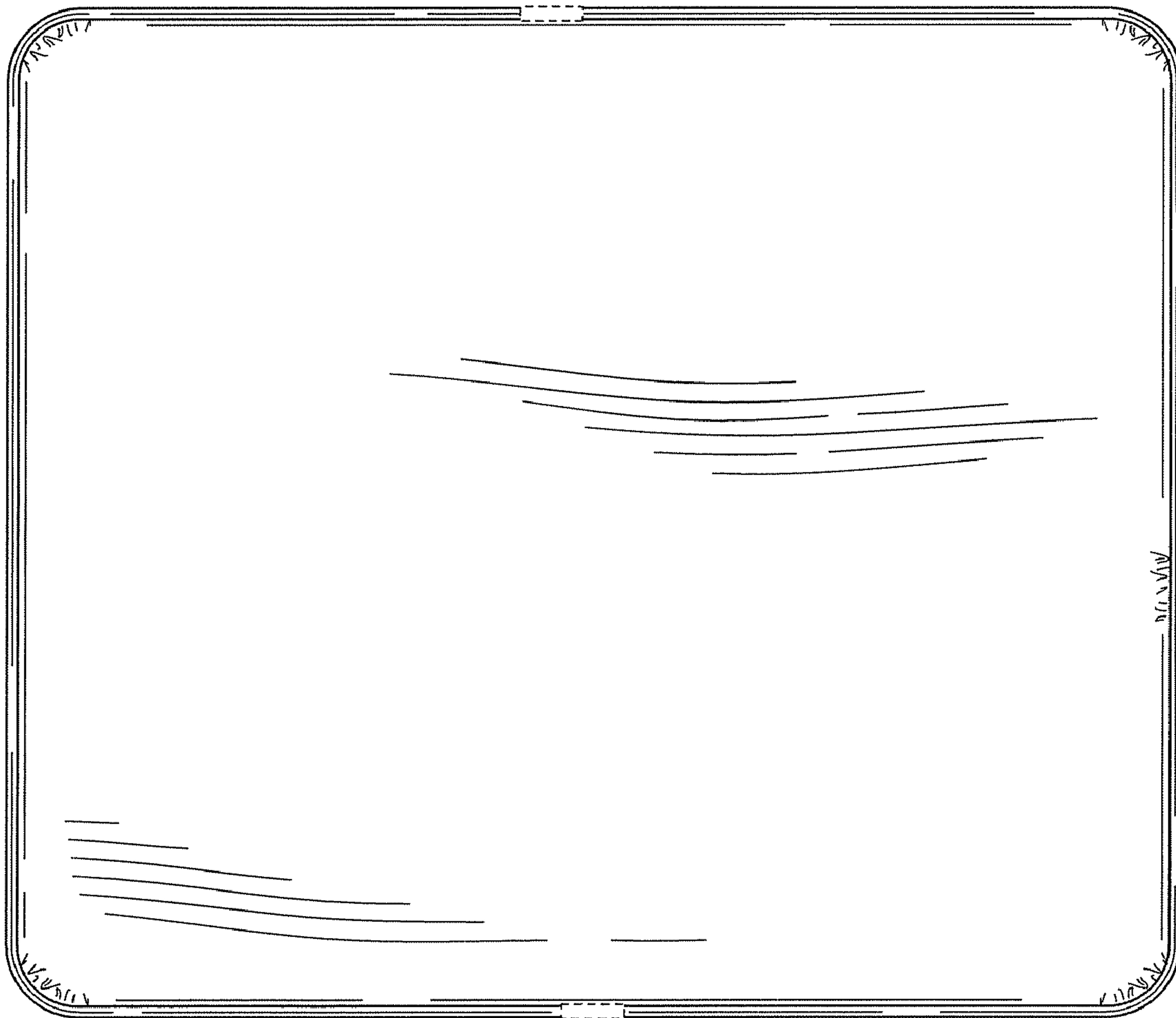


FIG. 6

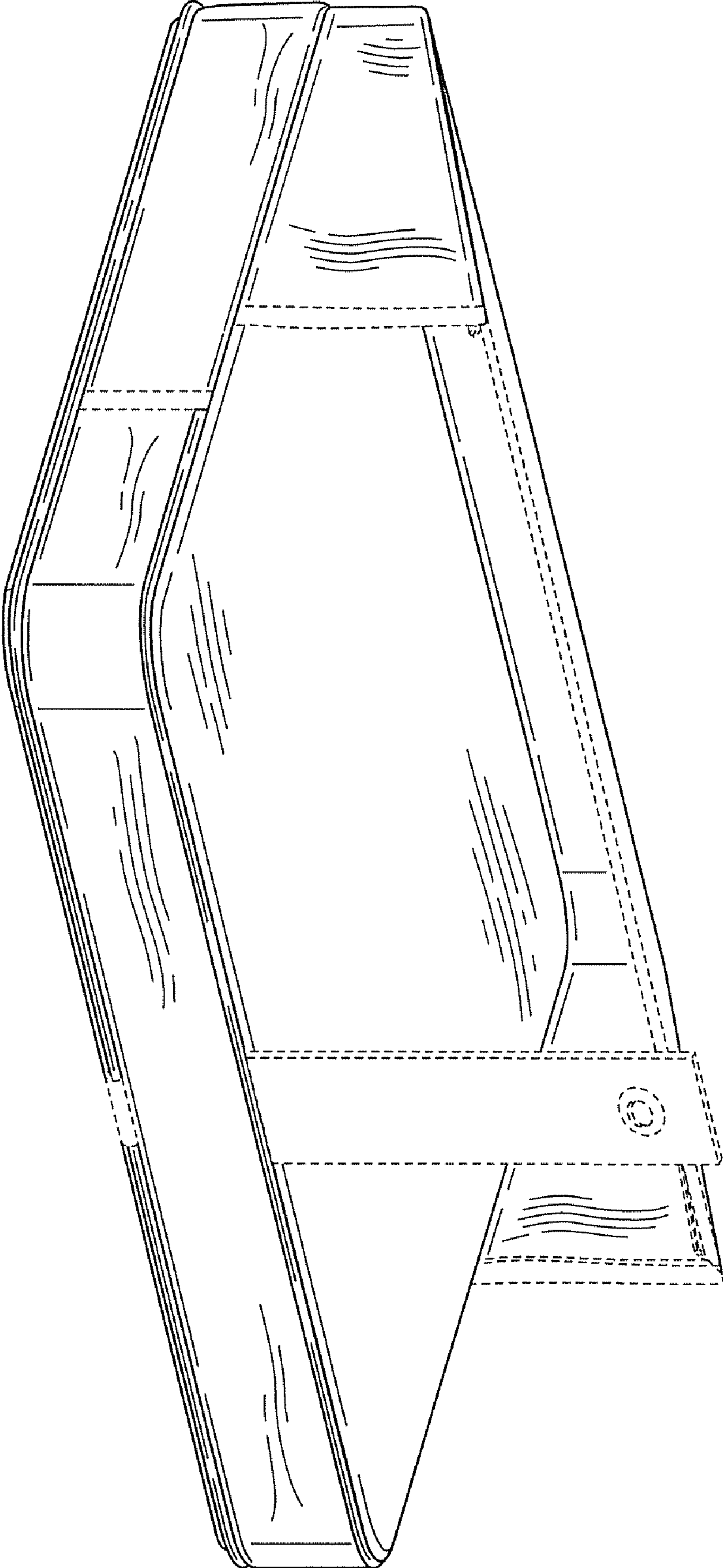


FIG. 7