



US00D601839S

(12) **United States Design Patent**
Boutin

(10) **Patent No.:** **US D601,839 S**

(45) **Date of Patent:** **** Oct. 13, 2009**

(54) **POUCHES**

(75) Inventor: **Christelle Boutin**, Bressuire (FR)

(73) Assignee: **Wesco S.A.**, Cerizay (FR)

(**) Term: **14 Years**

(21) Appl. No.: **29/321,657**

(22) Filed: **Jul. 21, 2008**

(30) **Foreign Application Priority Data**

Jan. 22, 2008 (EM) 865191-0036

(51) **LOC (9) Cl.** **06-04**

(52) **U.S. Cl.** **D6/553**

(58) **Field of Classification Search** D6/552,
D6/553, 567, 569, 491, 509, 510; D3/201,
D3/254, 303, 304, 315; 206/730, 45.21,
206/214, 260, 278; 211/13.1, 85.7, 45, 70.1,
211/71.01, 72, 86.01, 87.01; D19/65, 86,
D19/90, 91, 99

See application file for complete search history.

(56) **References Cited**

U.S. PATENT DOCUMENTS

D426,041 S * 5/2000 Boghossian D6/553

D434,880 S * 12/2000 McNary et al. D6/553
D486,185 S * 2/2004 Sheldon et al. D19/86
D505,288 S * 5/2005 Bankston et al. D6/553
D520,285 S * 5/2006 Cooper D6/553
D547,989 S * 8/2007 Nelson D6/553
D592,434 S * 5/2009 Thompson et al. D6/553

* cited by examiner

Primary Examiner—Brian N Vinson

(74) *Attorney, Agent, or Firm*—Westerman, Hattori, Daniels & Adrian, LLP

(57) **CLAIM**

The ornamental design for pouches, as shown and described.

DESCRIPTION

FIG. 1 is a top, front, and left side perspective view of pouches showing my design;

FIG. 2 is a front elevational view thereof;

FIG. 3 is a bottom plan view thereof;

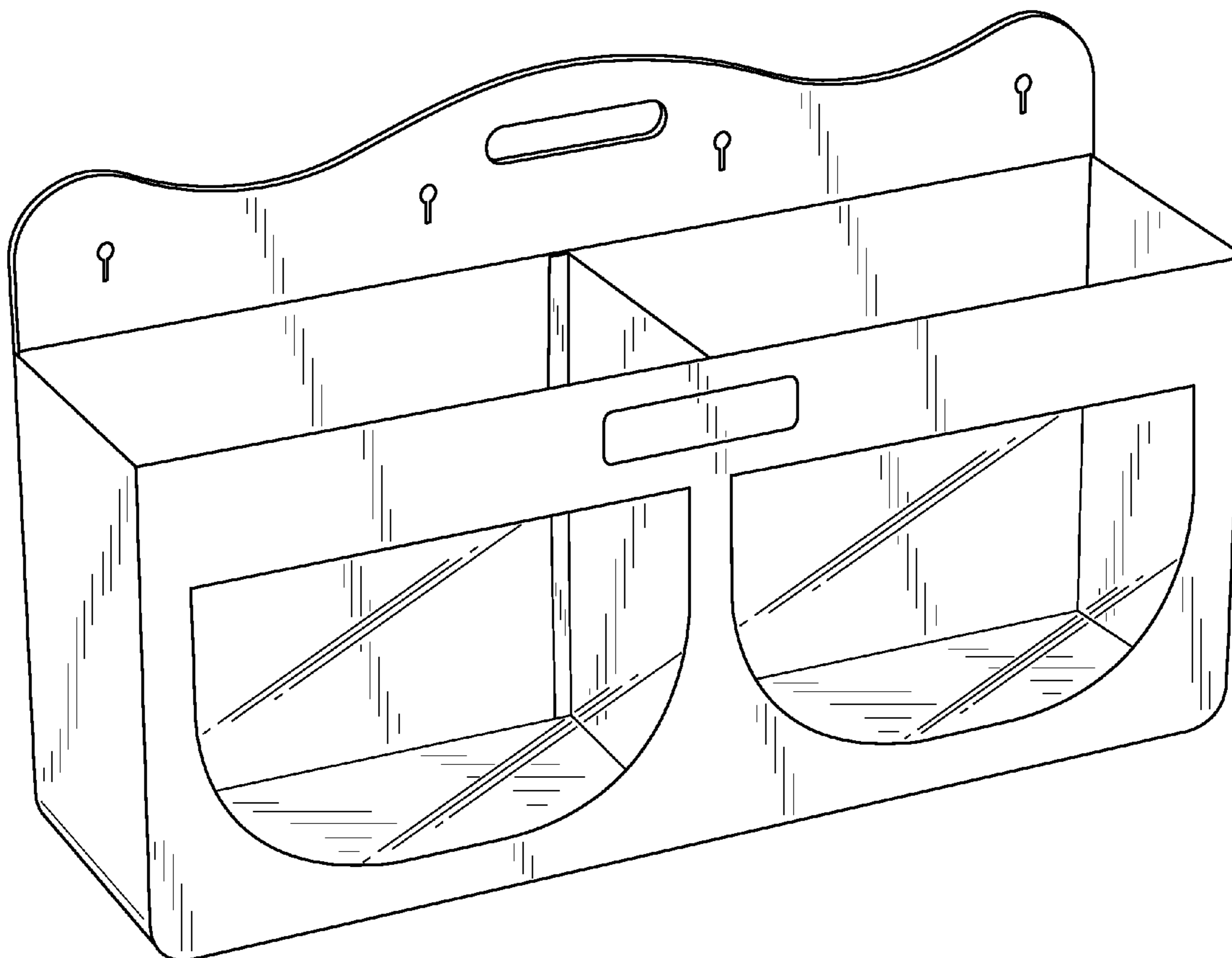
FIG. 4 is rear elevational view thereof;

FIG. 5 is top plan view thereof;

FIG. 6 is a left side elevational view thereof; and,

FIG. 7 is a right side elevational view thereof.

1 Claim, 6 Drawing Sheets



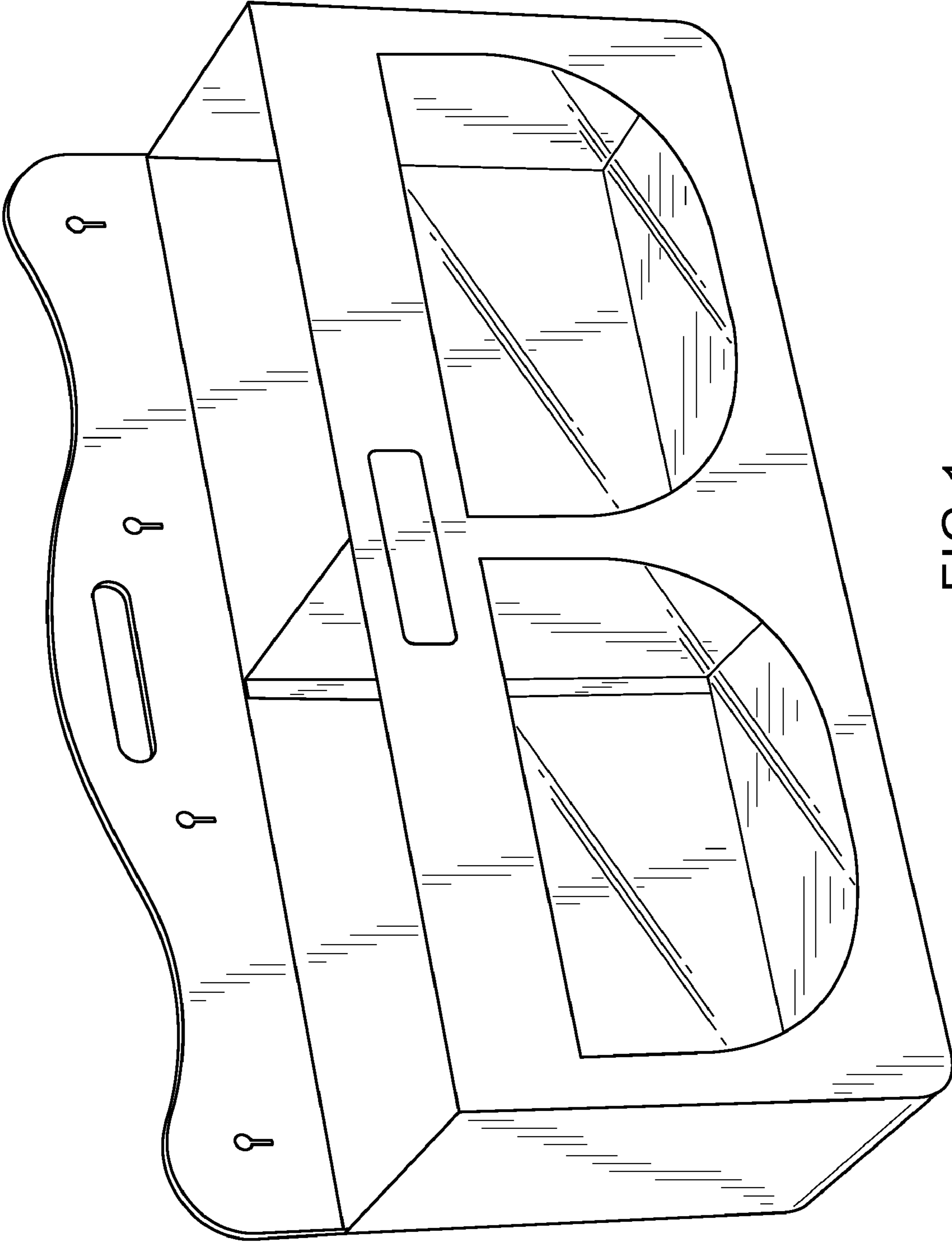


FIG.1

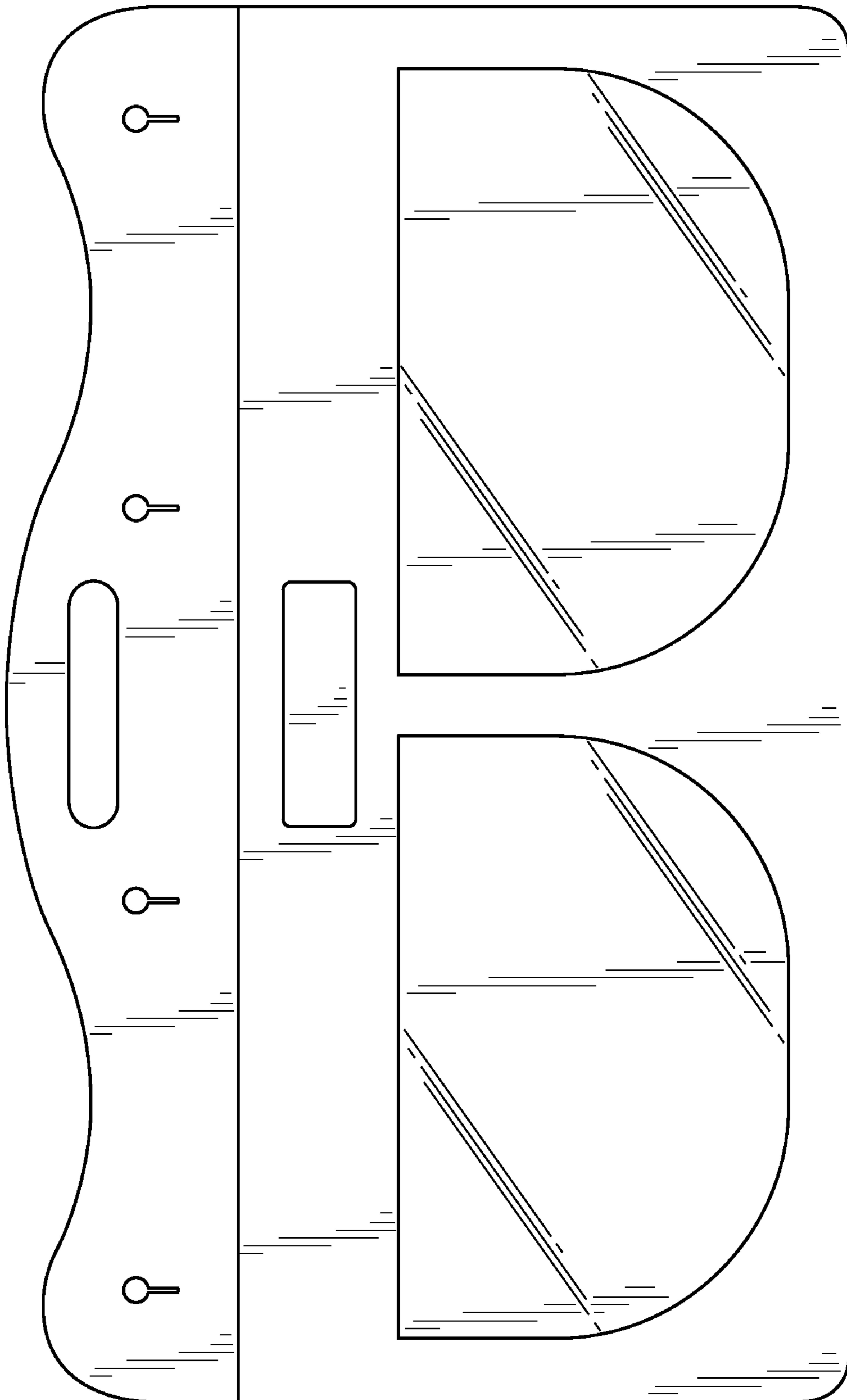


FIG. 2

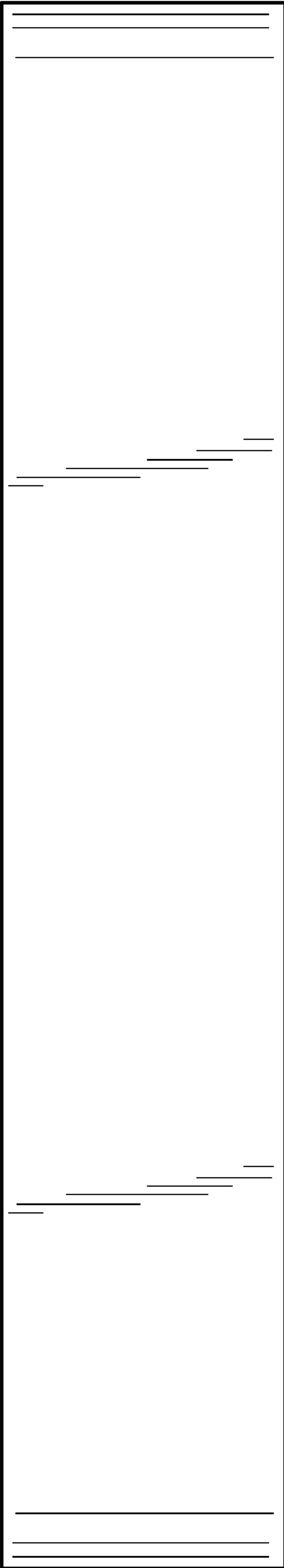


FIG.3

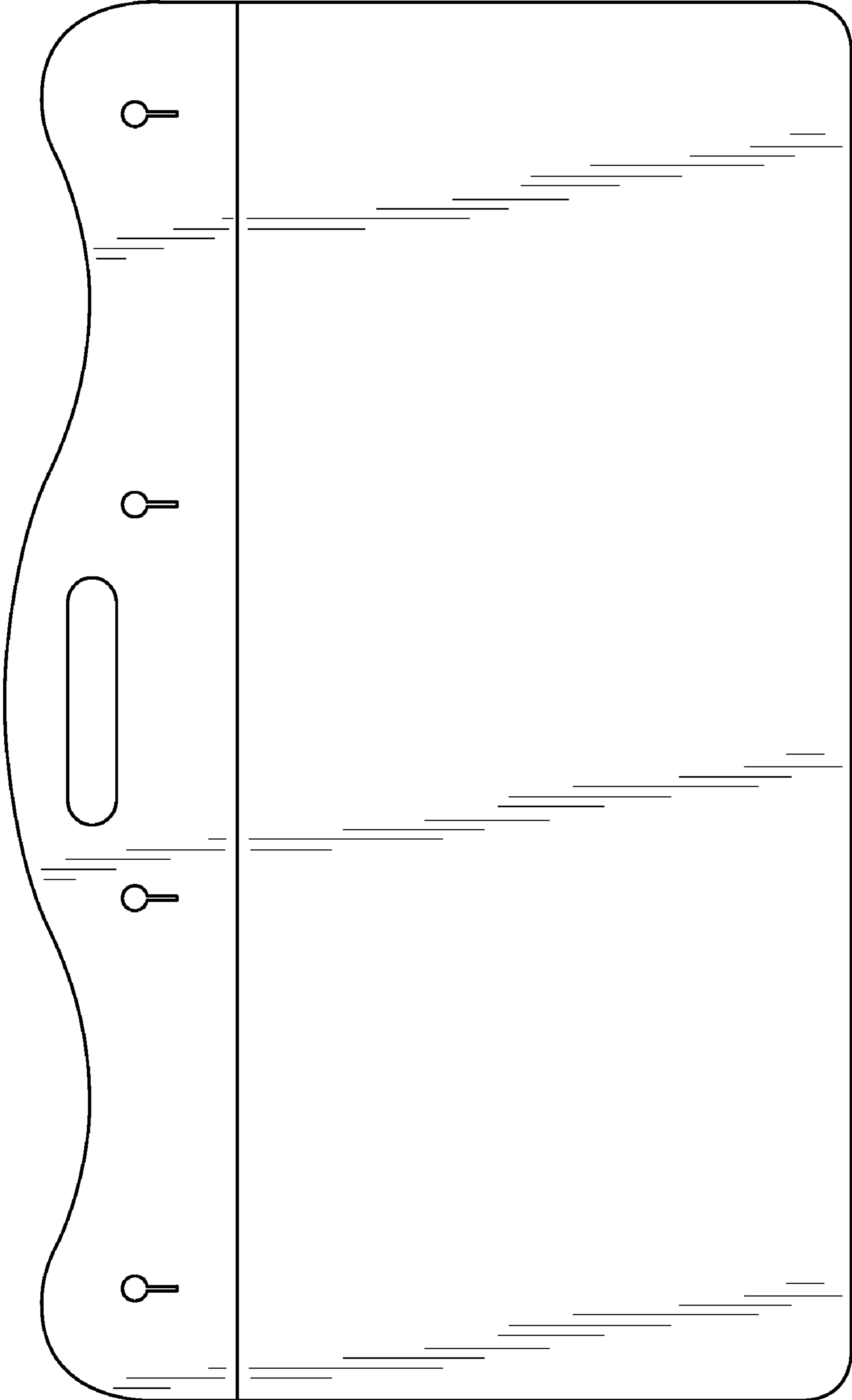


FIG.4



FIG. 5



FIG. 7

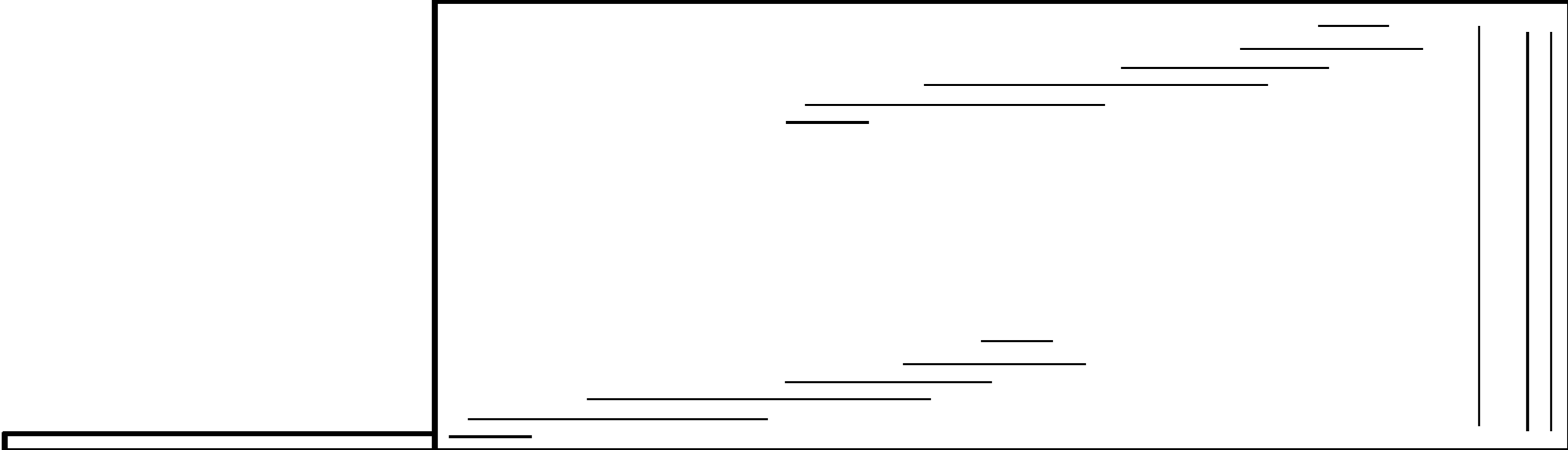


FIG. 6