

US00D601838S

(12) **United States Design Patent**  
**Boutin**

(10) **Patent No.:** **US D601,838 S**

(45) **Date of Patent:** **\*\* Oct. 13, 2009**

(54) **POUCHES**

(75) Inventor: **Christelle Boutin**, Bressuire (FR)

(73) Assignee: **Wesco S.A.**, Cerizay (FR)

(\*\*) Term: **14 Years**

(21) Appl. No.: **29/321,655**

(22) Filed: **Jul. 21, 2008**

(30) **Foreign Application Priority Data**

Jan. 22, 2008 (EM) ..... 865191-0026

(51) **LOC (9) Cl.** ..... **06-04**

(52) **U.S. Cl.** ..... **D6/553**

(58) **Field of Classification Search** ..... D6/552,  
D6/553, 567, 569, 491, 509, 510; D3/201,  
D3/254, 303, 304, 315; 206/730, 45.21,  
206/214, 260, 278; 211/13.1, 85.7, 45, 70.1,  
211/71.01, 72, 86.01, 87.01; D19/65, 86,  
D19/90, 91, 99

See application file for complete search history.

(56) **References Cited**

**U.S. PATENT DOCUMENTS**

D426,041 S \* 5/2000 Boghossian ..... D6/553  
D434,880 S \* 12/2000 McNary et al. .... D6/553

D486,185 S \* 2/2004 Sheldon et al. .... D19/86

D505,288 S \* 5/2005 Bankston et al. .... D6/553

D520,285 S \* 5/2006 Cooper ..... D6/553

D547,989 S \* 8/2007 Nelson ..... D6/553

D592,434 S \* 5/2009 Thompson et al. .... D6/553

\* cited by examiner

*Primary Examiner*—Brian N Vinson

(74) *Attorney, Agent, or Firm*—Westerman, Hattori, Daniels & Adrian, LLP

(57) **CLAIM**

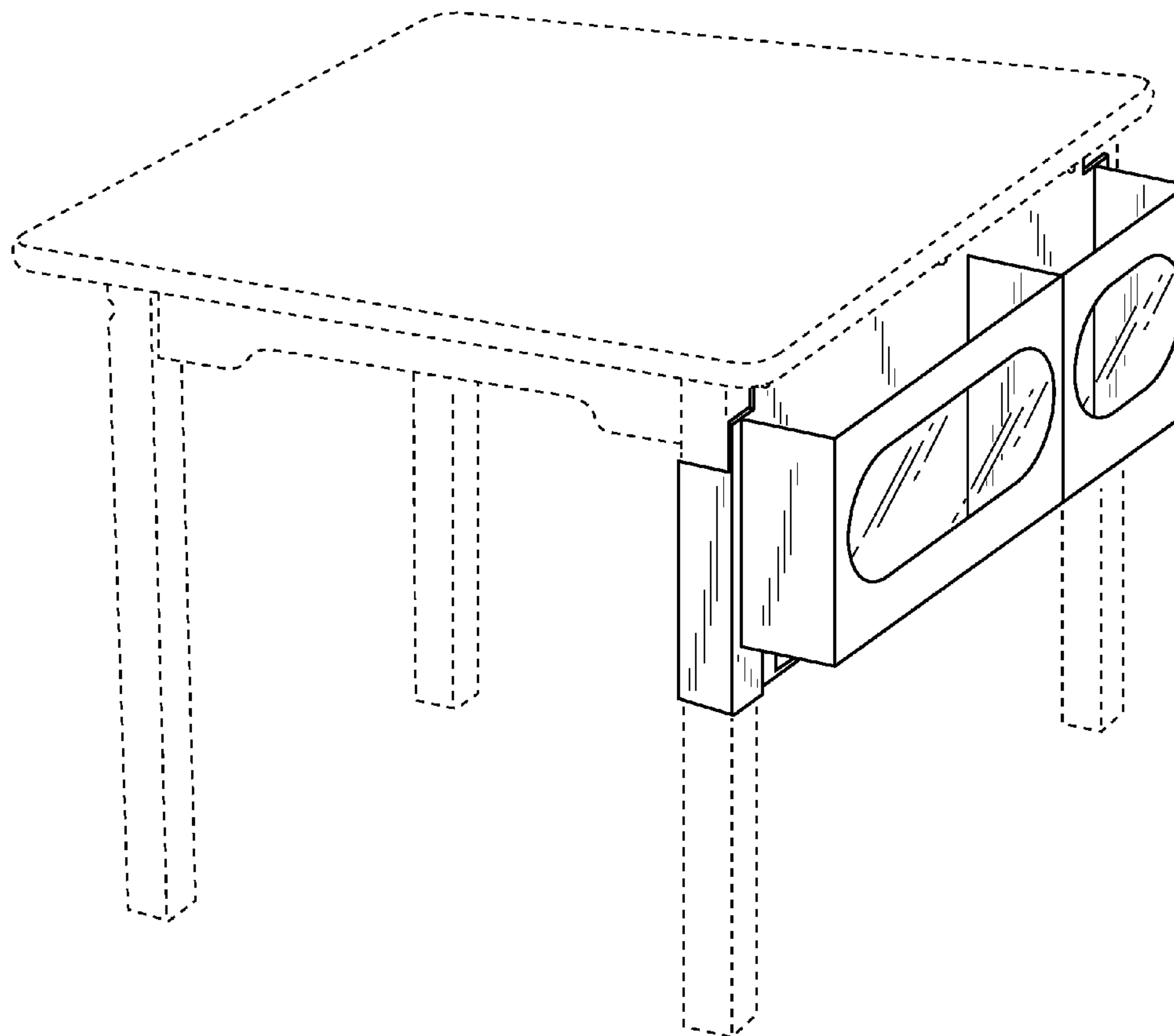
The ornamental design for pouches, as shown and described.

**DESCRIPTION**

FIG. 1 represents a perspective view of the pouches; and, FIGS. 2–7 represent front, left side, back, right side, bottom, and top views, respectively, of the pouches.

The table in broken line is not part of the claimed design.

**1 Claim, 7 Drawing Sheets**



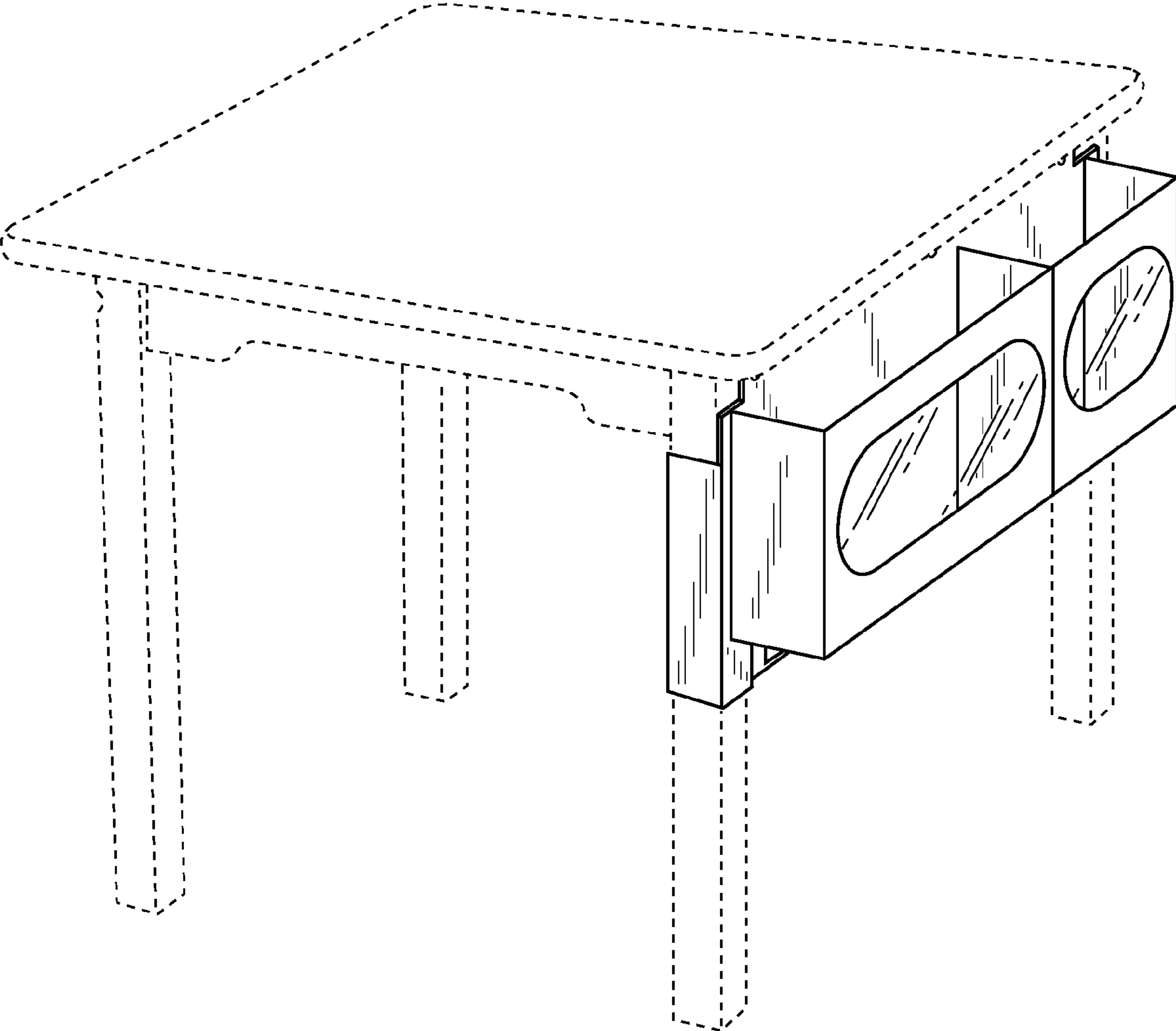


FIG.1

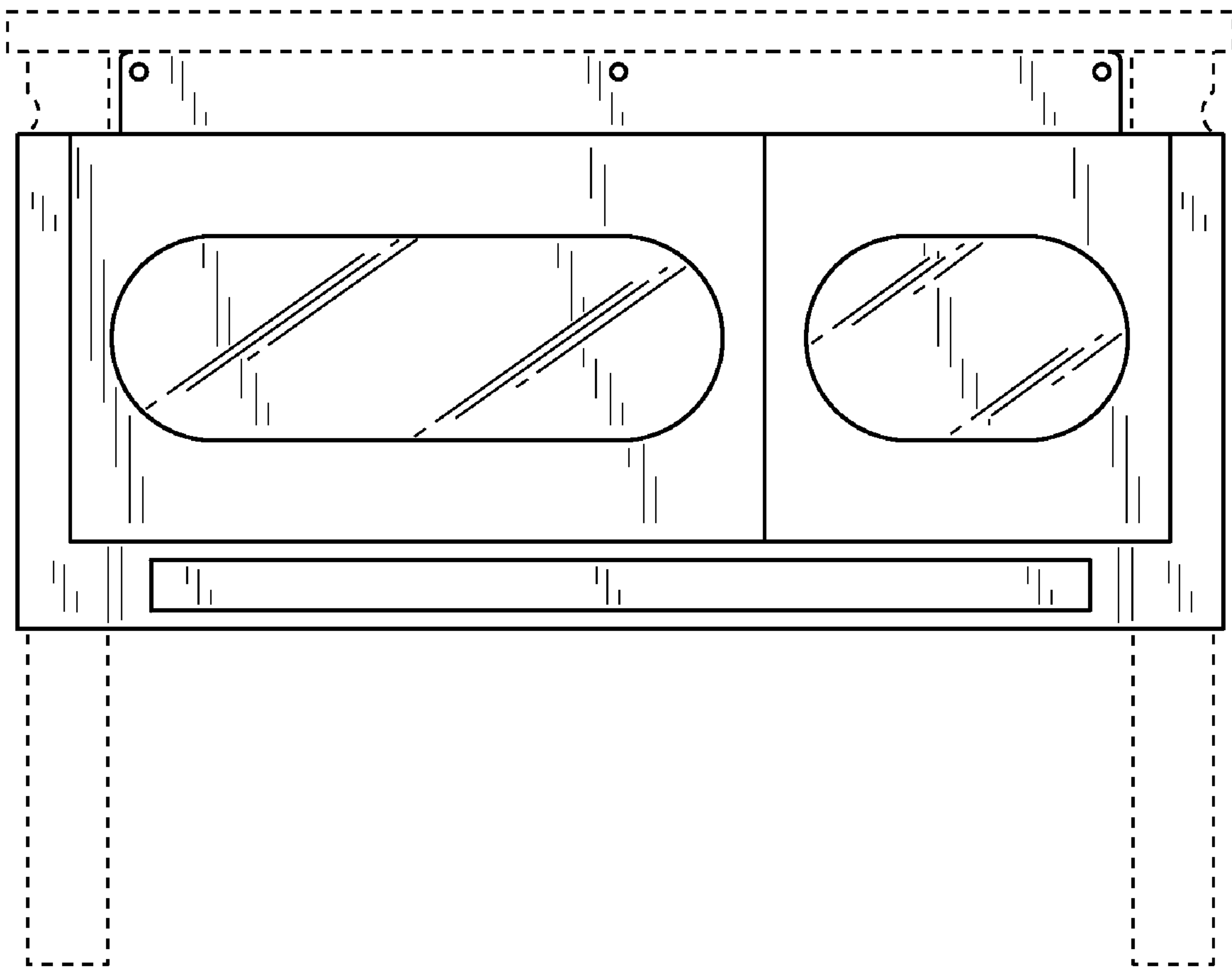


FIG.2

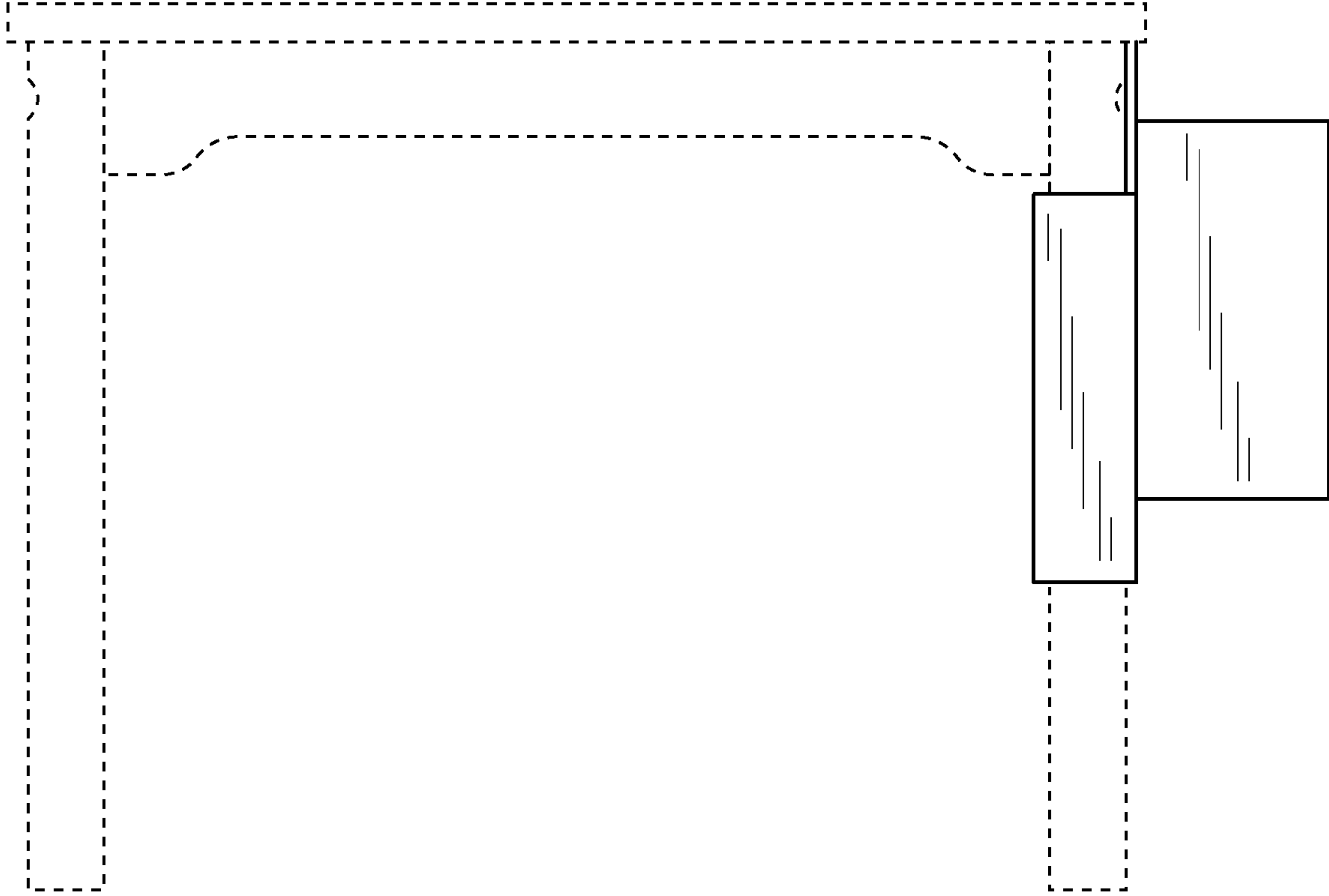


FIG.3

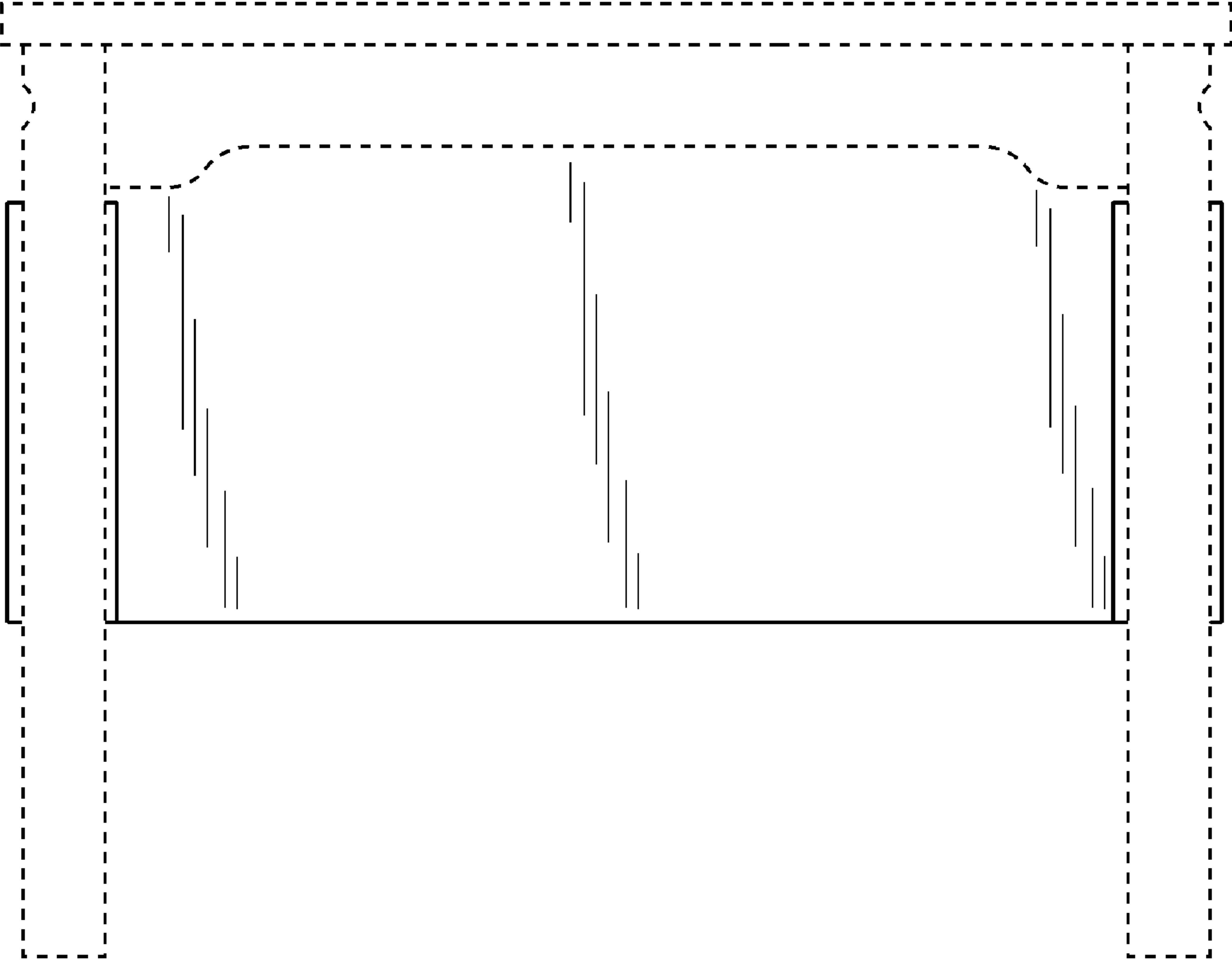


FIG.4

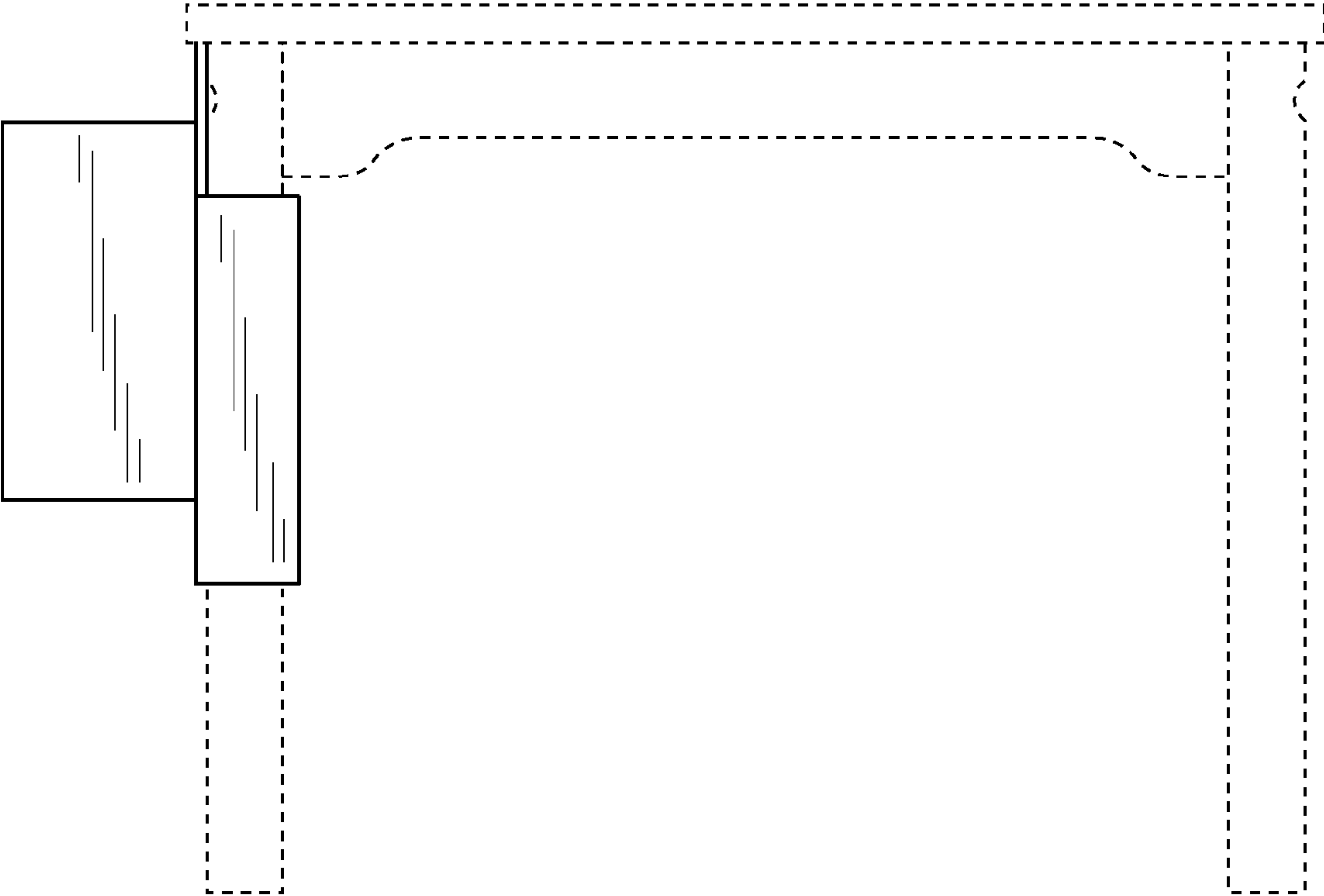


FIG.5

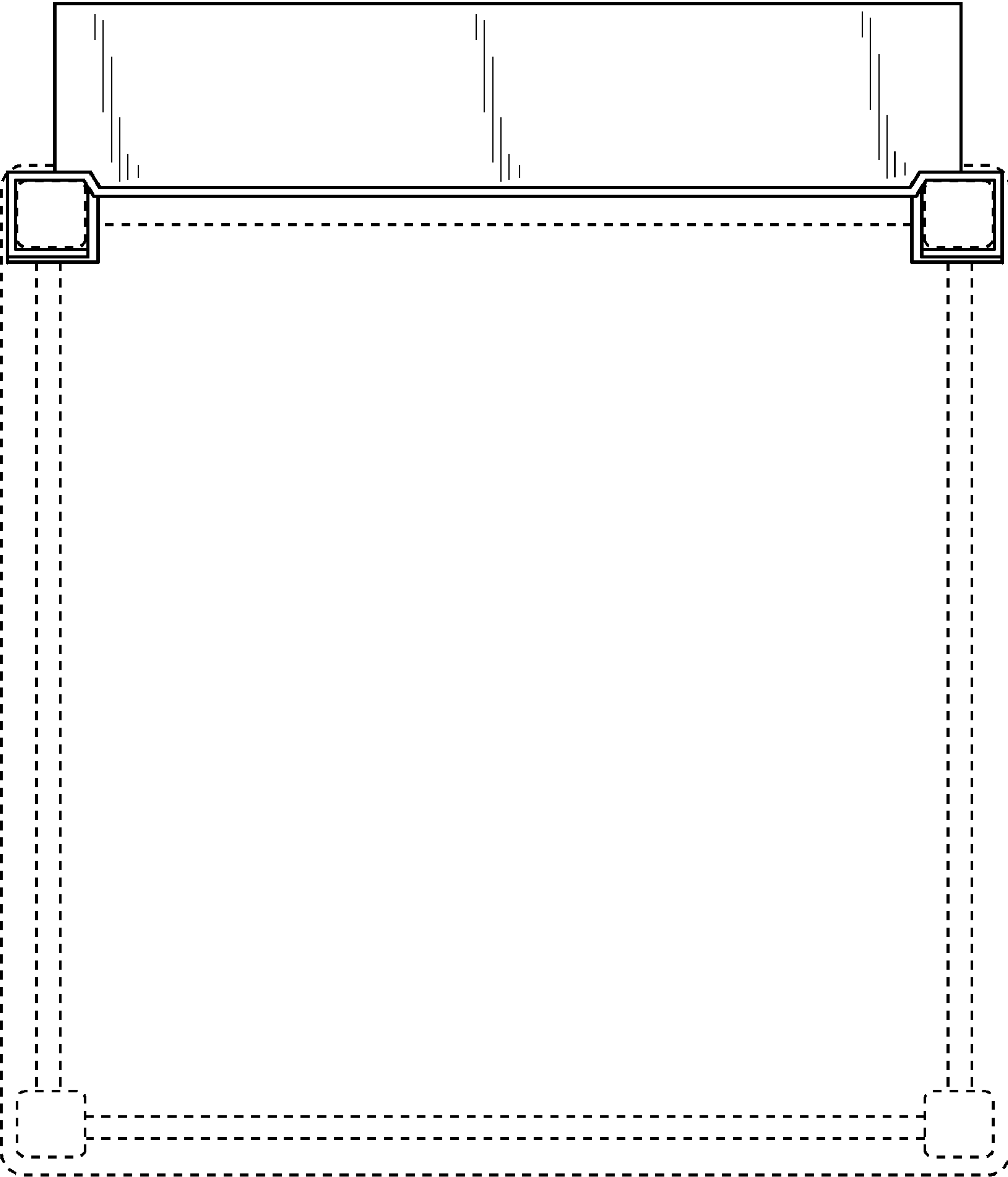


FIG.6

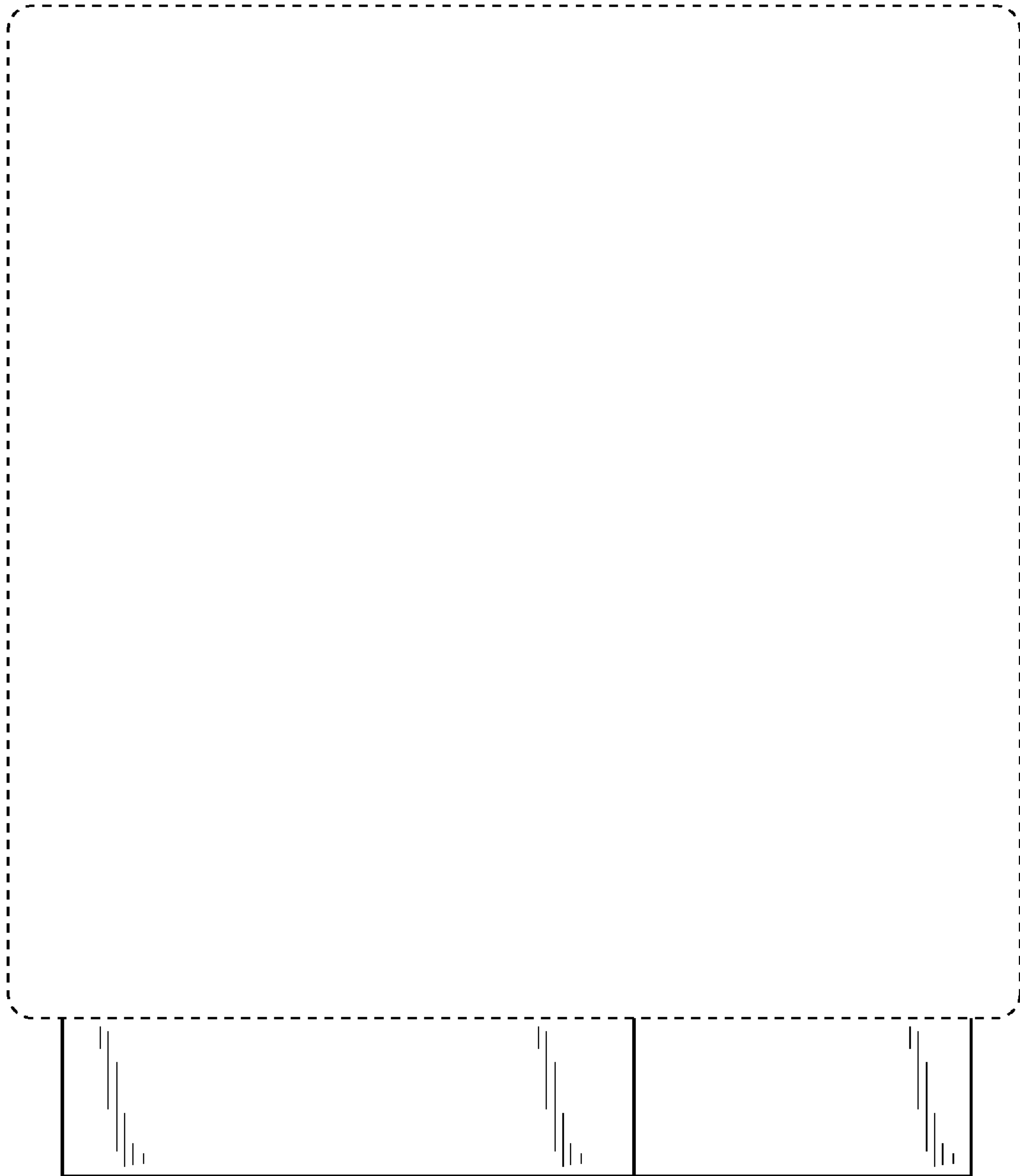


FIG.7