



US00D601837S

(12) **United States Design Patent**
Evans

(10) **Patent No.:** **US D601,837 S**
(45) **Date of Patent:** **** Oct. 13, 2009**

(54) **STORAGE AND TRANSPORT CARTON**

(76) Inventor: **Ann Evans**, 1576 Tanner St., Pocatello,
ID (US) 83202

(**) Term: **14 Years**

(21) Appl. No.: **29/293,572**

(22) Filed: **Nov. 29, 2007**

(51) **LOC (9) Cl.** **06-04**

(52) **U.S. Cl.** **D6/553**

(58) **Field of Classification Search** D6/553,
D6/567; D9/65, 75, 77, 78, 86-91, 99-100;
211/10-11, 13.1, 44-50, 119.005, 87.01,
211/88.01, 126.13, 126.16

See application file for complete search history.

(56) **References Cited**

U.S. PATENT DOCUMENTS

D297,693	S	*	9/1988	Norstedt	D6/553
5,277,360	A		1/1994	DeMott		
5,505,371	A		4/1996	O'Neill		
D413,749	S		9/1999	Stravitz		
D425,128	S		5/2000	Conley et al.		
6,059,179	A		5/2000	Giampapa		
6,311,891	B1		11/2001	Gardner		
6,357,654	B1		3/2002	Gardner et al.		

6,520,898	B1		2/2003	Moen		
D486,185	S	*	2/2004	Sheldon et al.	D19/90
D495,007	S	*	8/2004	Stravitz	D19/90
D497,755	S	*	11/2004	Wood et al.	D6/553
D498,264	S	*	11/2004	Chen et al.	D19/90
D544,272	S	*	6/2007	Chen et al.	D6/553
D563,136	S	*	3/2008	Kramer	D6/553

* cited by examiner

Primary Examiner—Brian N Vinson

(74) *Attorney, Agent, or Firm*—Thorpe North & Western LLP

(57) **CLAIM**

What is claimed is the ornamental design for a storage and transport carton, as shown herein.

DESCRIPTION

FIG. 1 is a perspective view of the carton in accordance with the invention;

FIG. 2 is a front view of the carton;

FIG. 3 is a rear view of the carton;

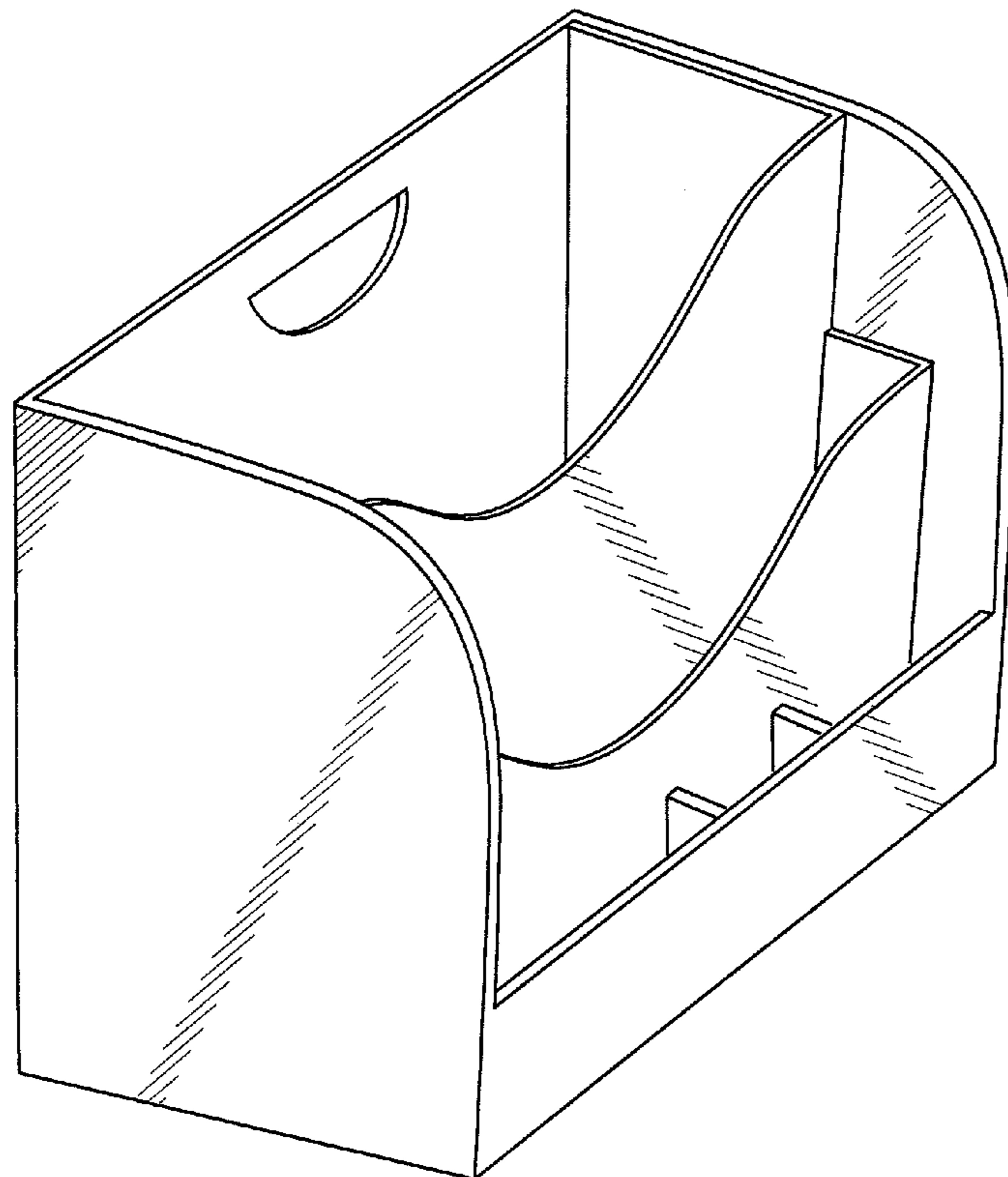
FIG. 4 is a top view of the carton;

FIG. 5 is a bottom view of the carton;

FIG. 6 is a left side view of the carton; and,

FIG. 7 is a right side view of the carton.

1 Claim, 4 Drawing Sheets



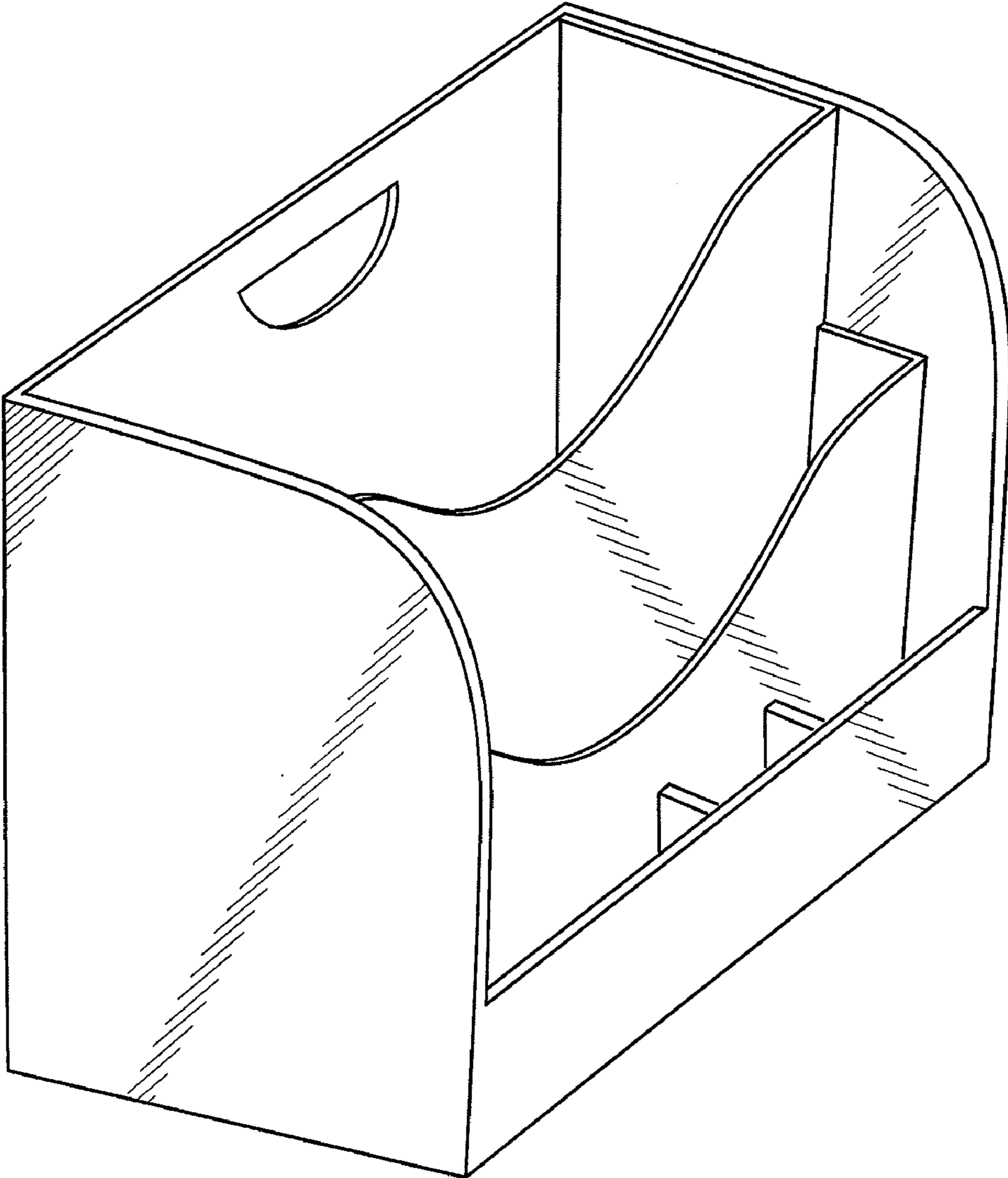


Fig. 1

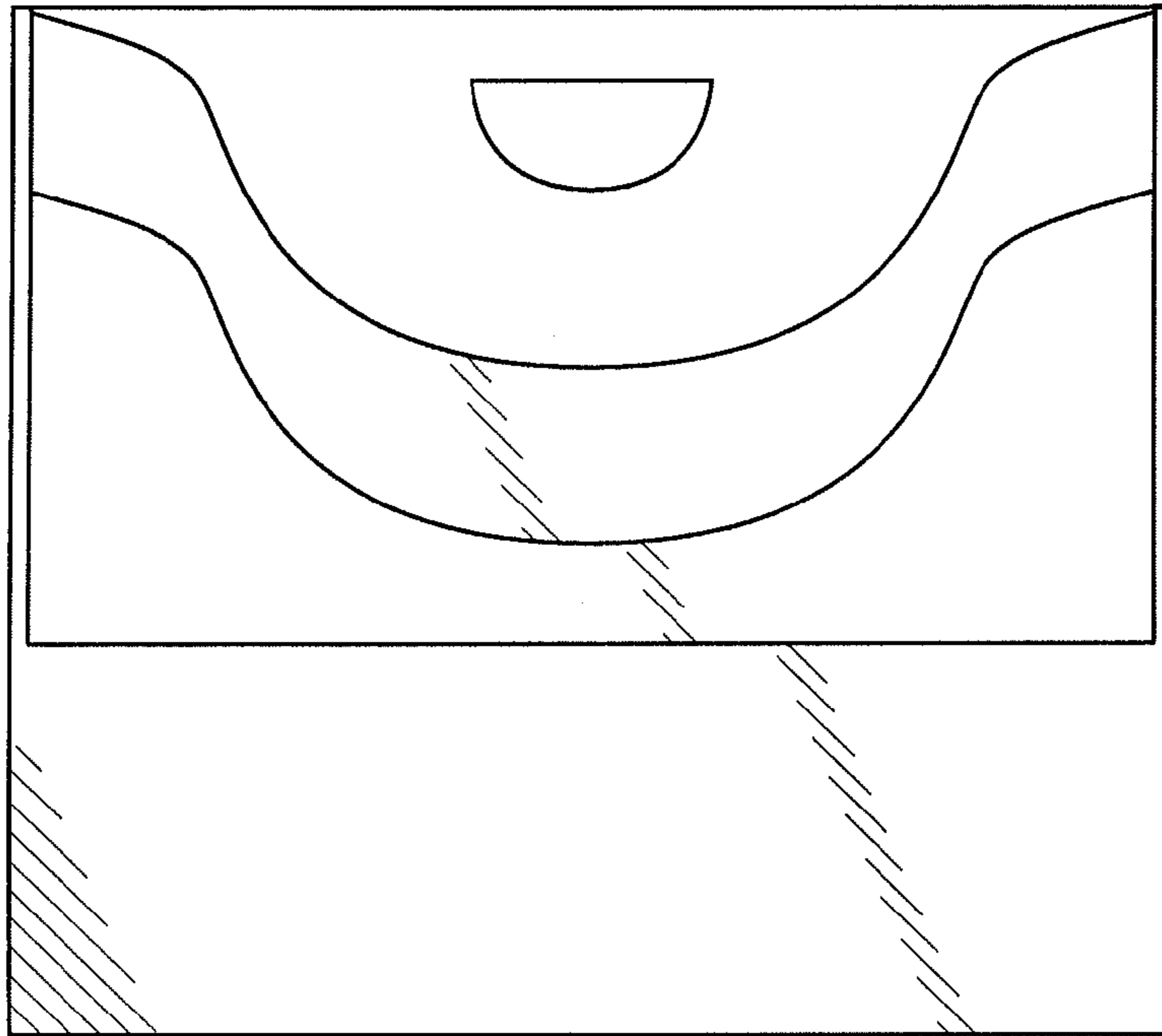


Fig. 2

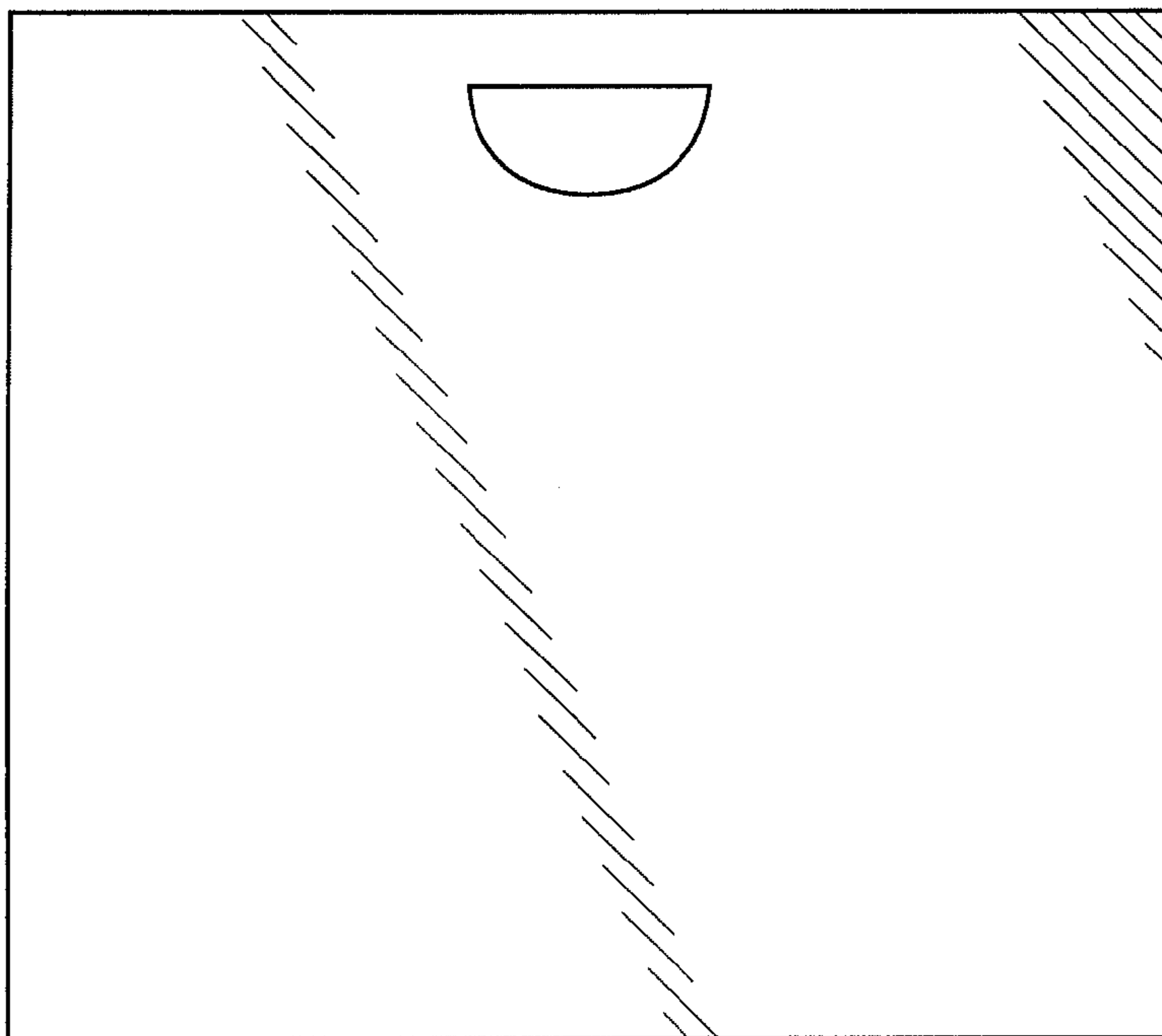


Fig. 3

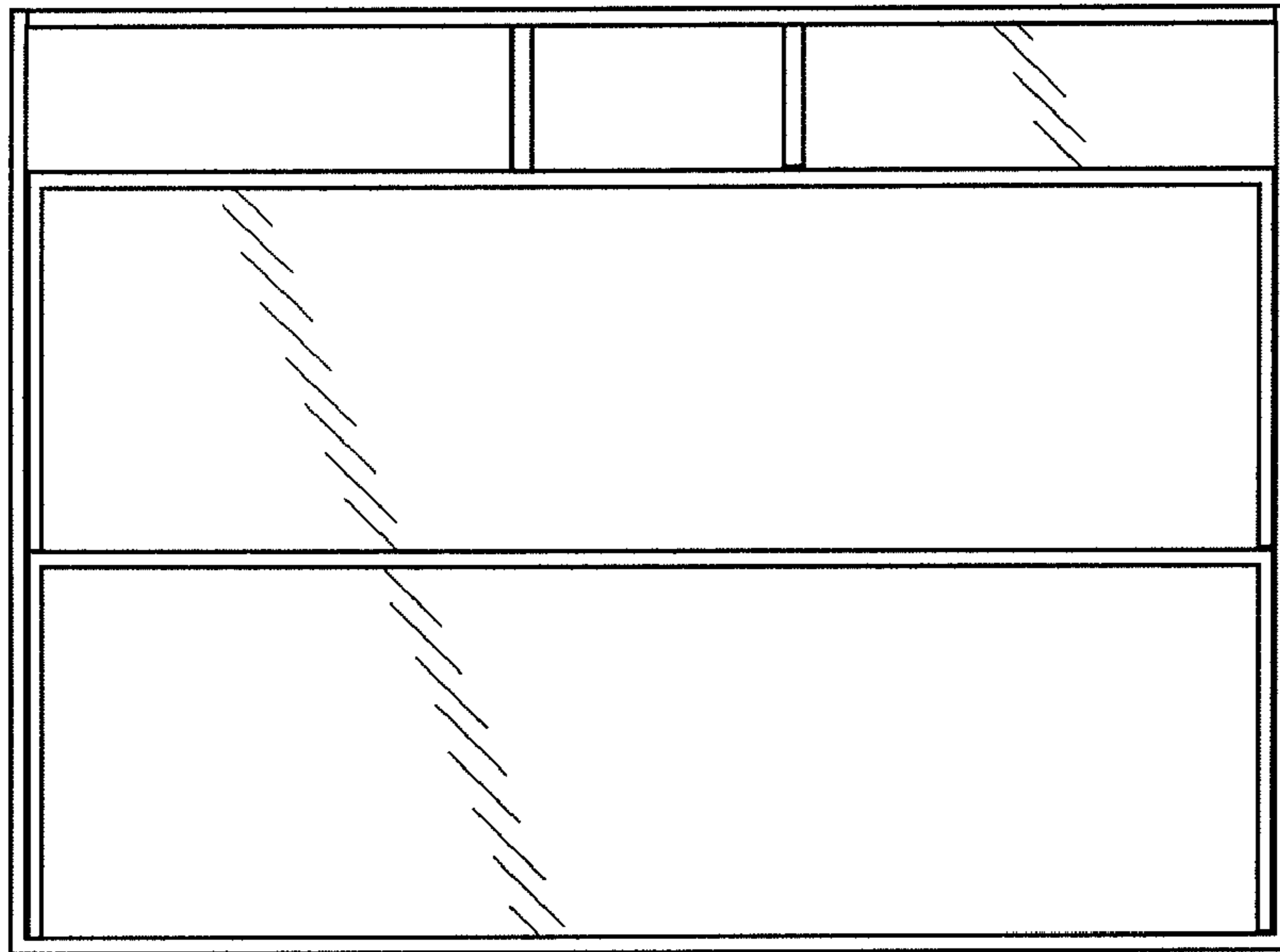


Fig. 4

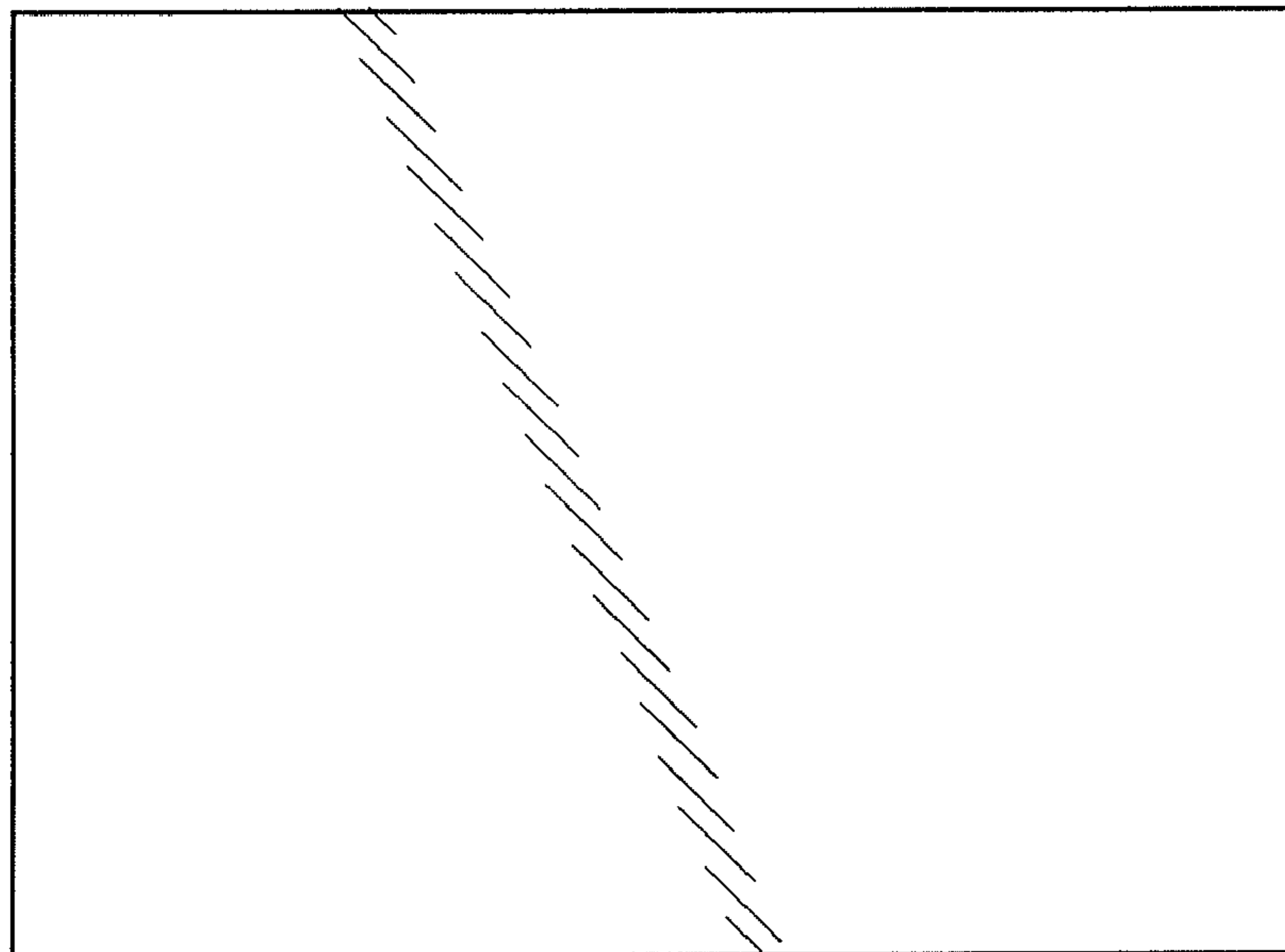


Fig. 5

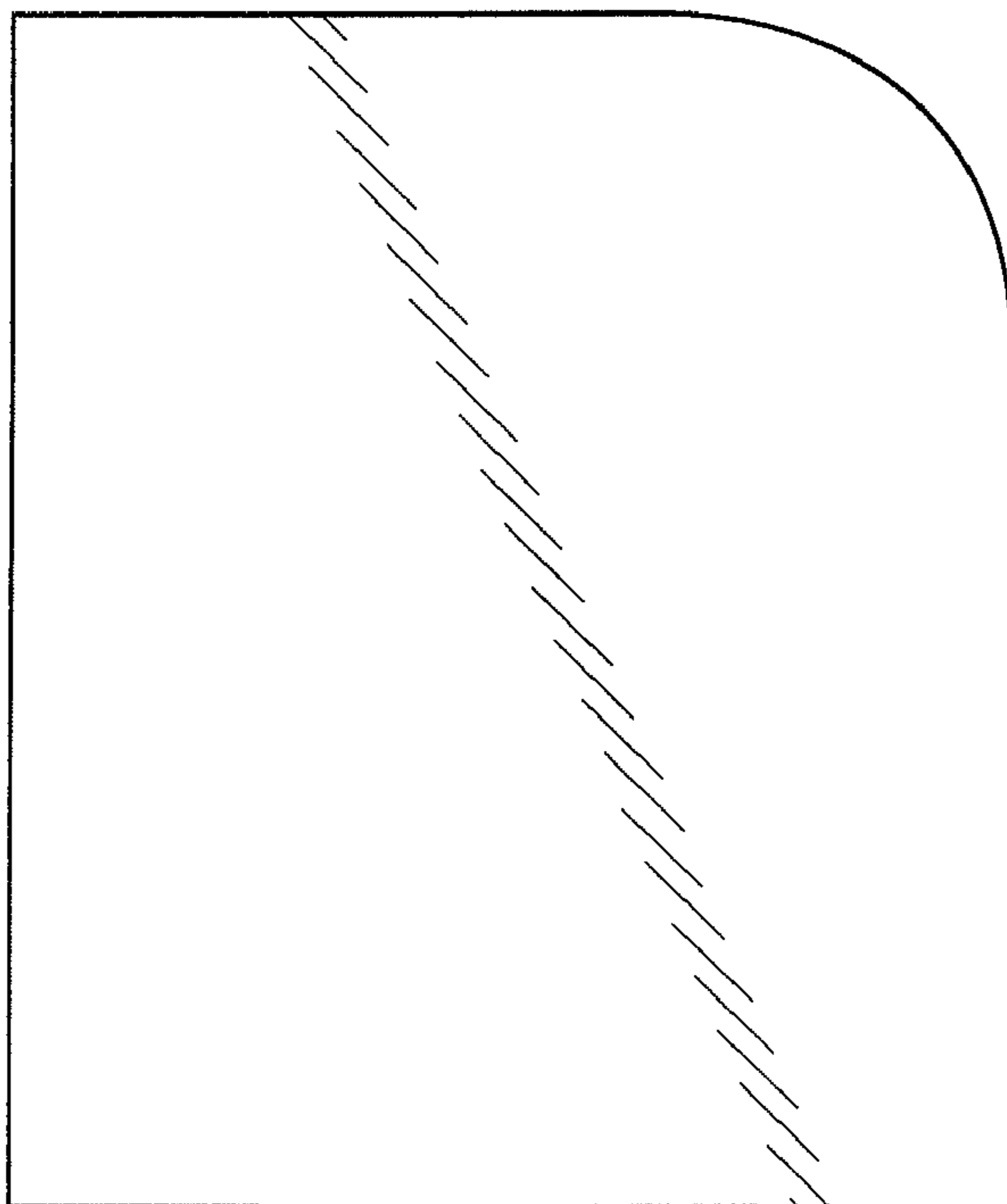


Fig. 6

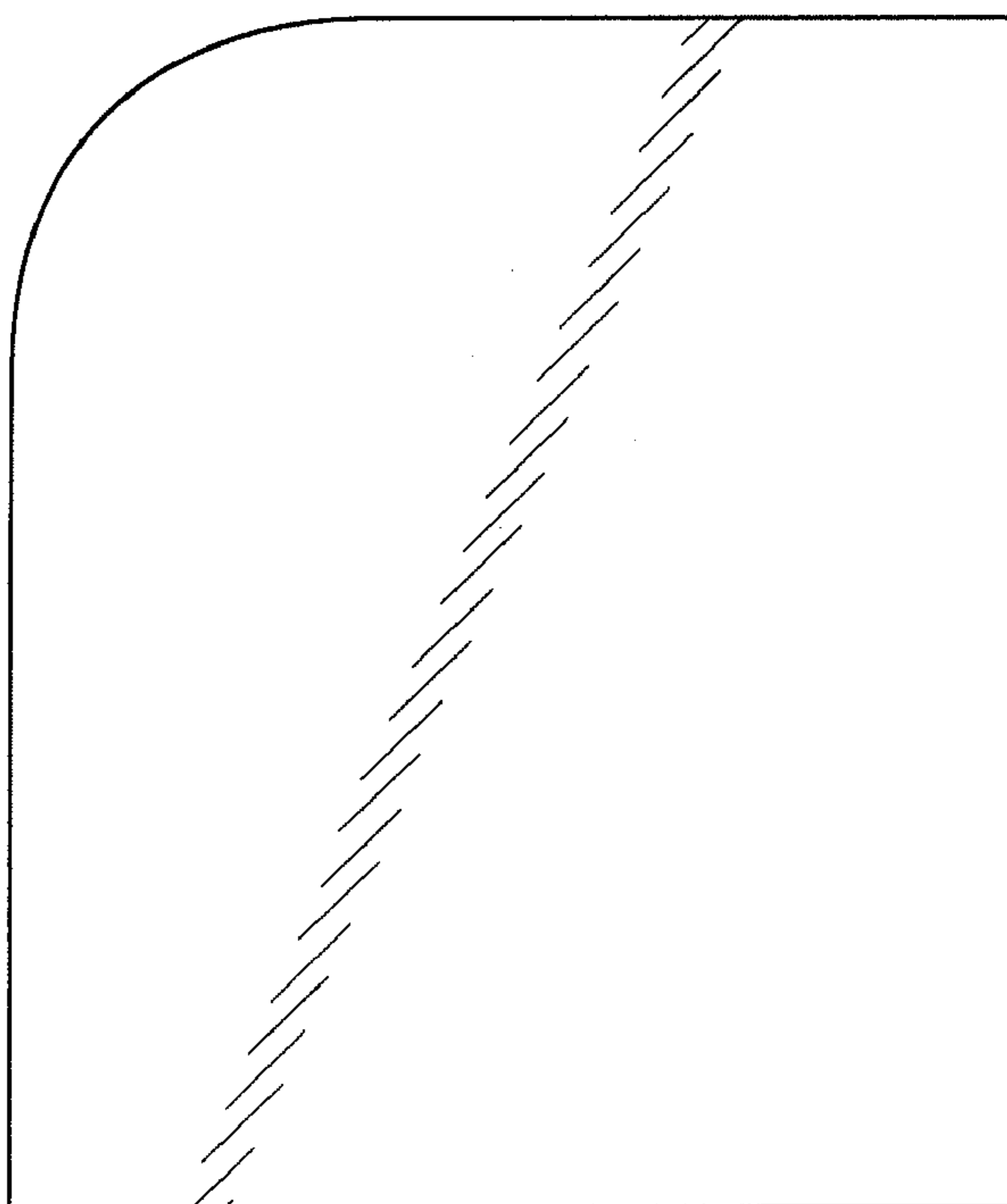


Fig. 7