



US00D601835S

(12) **United States Design Patent**
Du Toit

(10) **Patent No.:** **US D601,835 S**

(45) **Date of Patent:** **** Oct. 13, 2009**

(54) **CONTAINER DISPENSER**

D509,689 S * 9/2005 Ho D6/515
D563,127 S * 3/2008 Henry et al. D6/515

(75) Inventor: **Johann Du Toit**, Salt River (ZA)

* cited by examiner

(73) Assignee: **Henkel AG & Co. KGaA**, Duesseldorf (DE)

Primary Examiner—Brian N Vinson
(74) *Attorney, Agent, or Firm*—James E. Piotrowski; Steven C. Bauman

(**) Term: **14 Years**

(21) Appl. No.: **29/318,107**

(57) **CLAIM**

(22) Filed: **May 13, 2008**

The ornamental design for a container dispenser, as shown and described.

(30) **Foreign Application Priority Data**

DESCRIPTION

Nov. 16, 2007 (EM) 000827506

FIG. 1 is a top, front, and right side perspective view of the container dispenser showing my new design;
FIG. 2 is a front elevational view thereof;
FIG. 3 is a rear elevational view thereof;
FIG. 4 is a right side elevational view thereof;
FIG. 5 is a left side elevational view thereof;
FIG. 6 is a top plan view thereof;
FIG. 7 is a bottom plan view thereof; and,
FIG. 8 is an exploded top, front, and right side perspective view thereof.

(51) **LOC (9) Cl.** **20-02**

(52) **U.S. Cl.** **D6/515**

(58) **Field of Classification Search** D6/515,
D6/517; D7/705-708; 211/85.5, 59.2, 47;
206/139; 221/282-284; 222/173

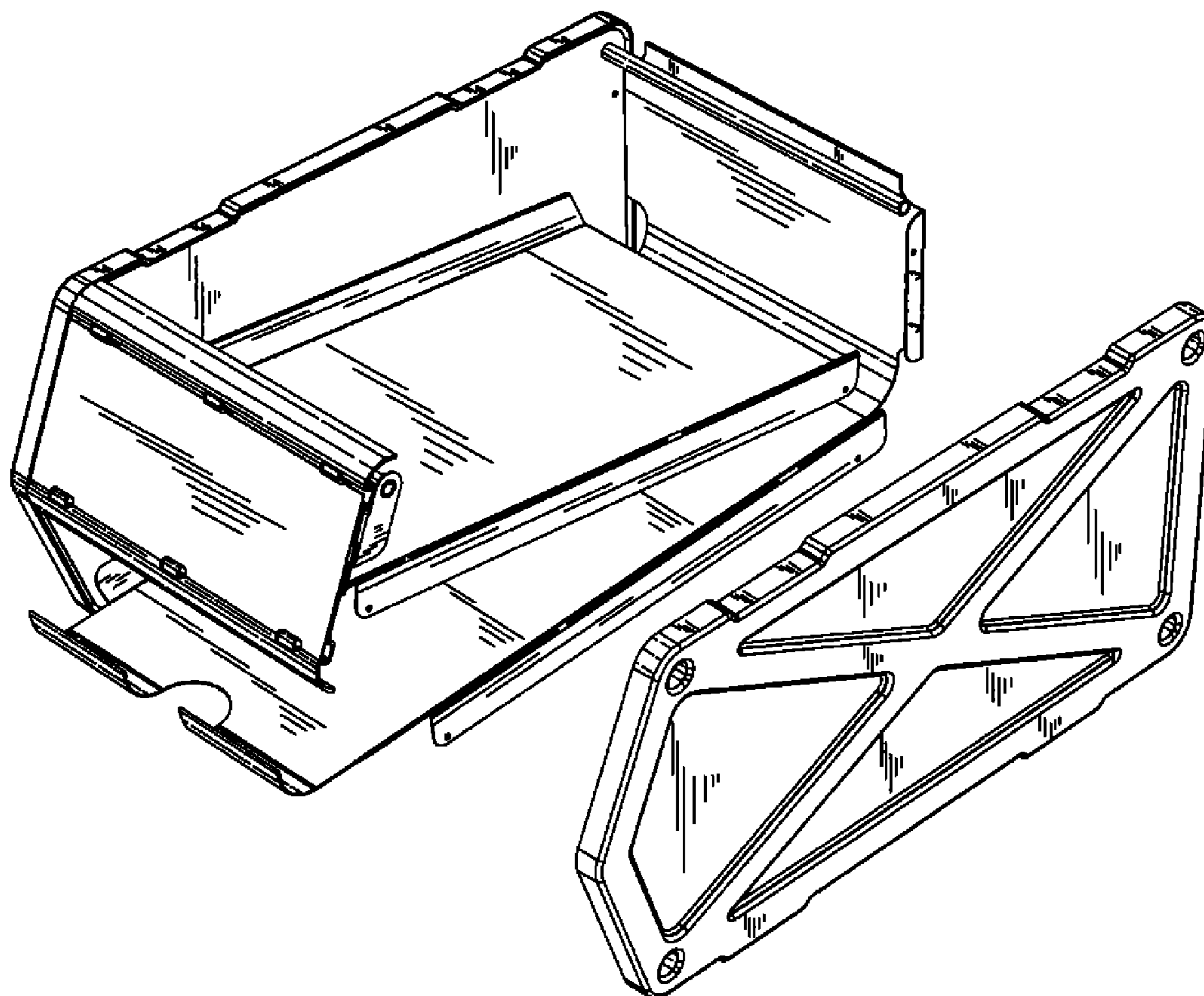
See application file for complete search history.

(56) **References Cited**

U.S. PATENT DOCUMENTS

D381,849 S * 8/1997 Snyder D6/515
D402,837 S * 12/1998 Boire et al. D6/515
D499,914 S * 12/2004 Rimback D6/515

1 Claim, 7 Drawing Sheets



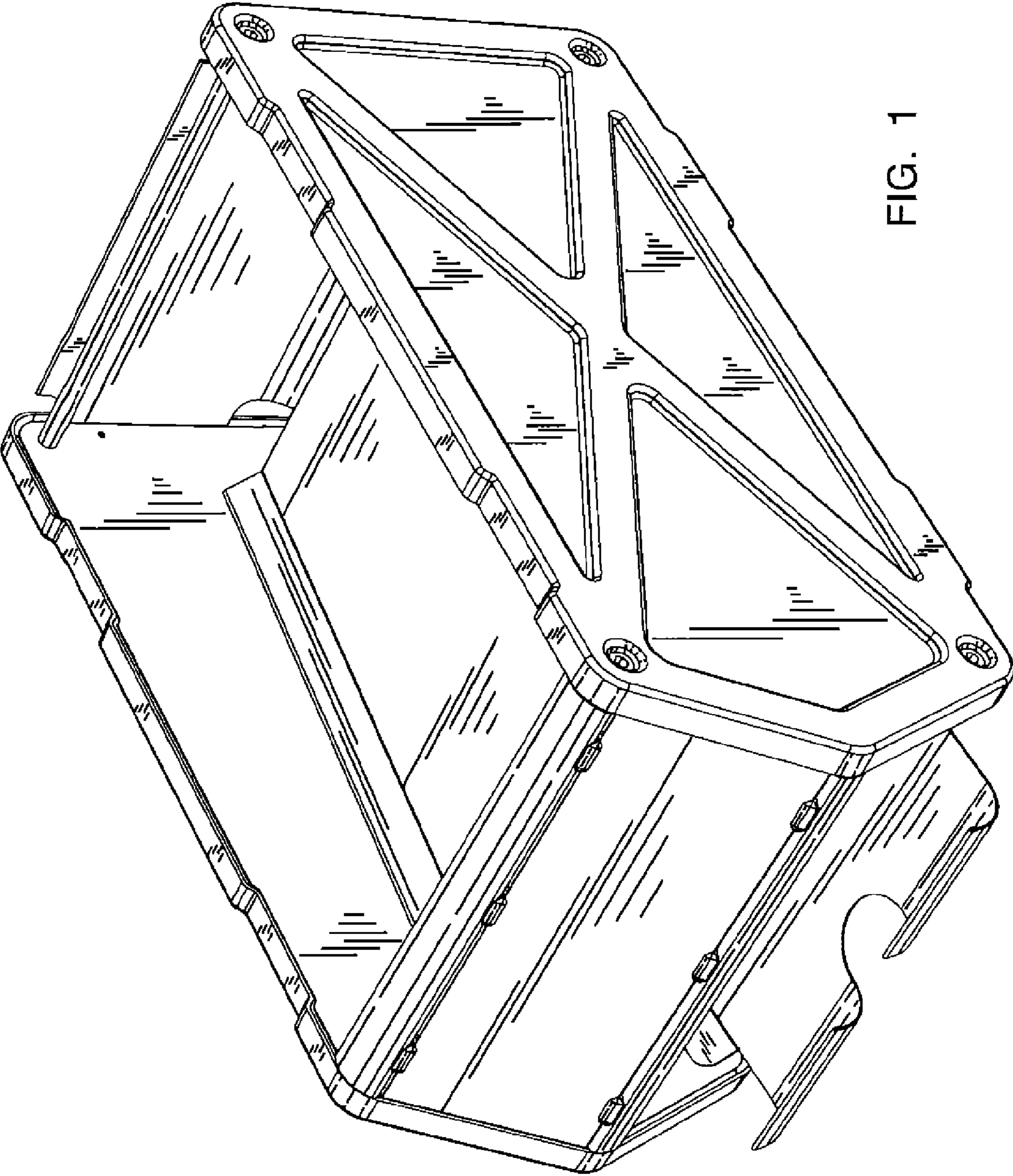


FIG. 1

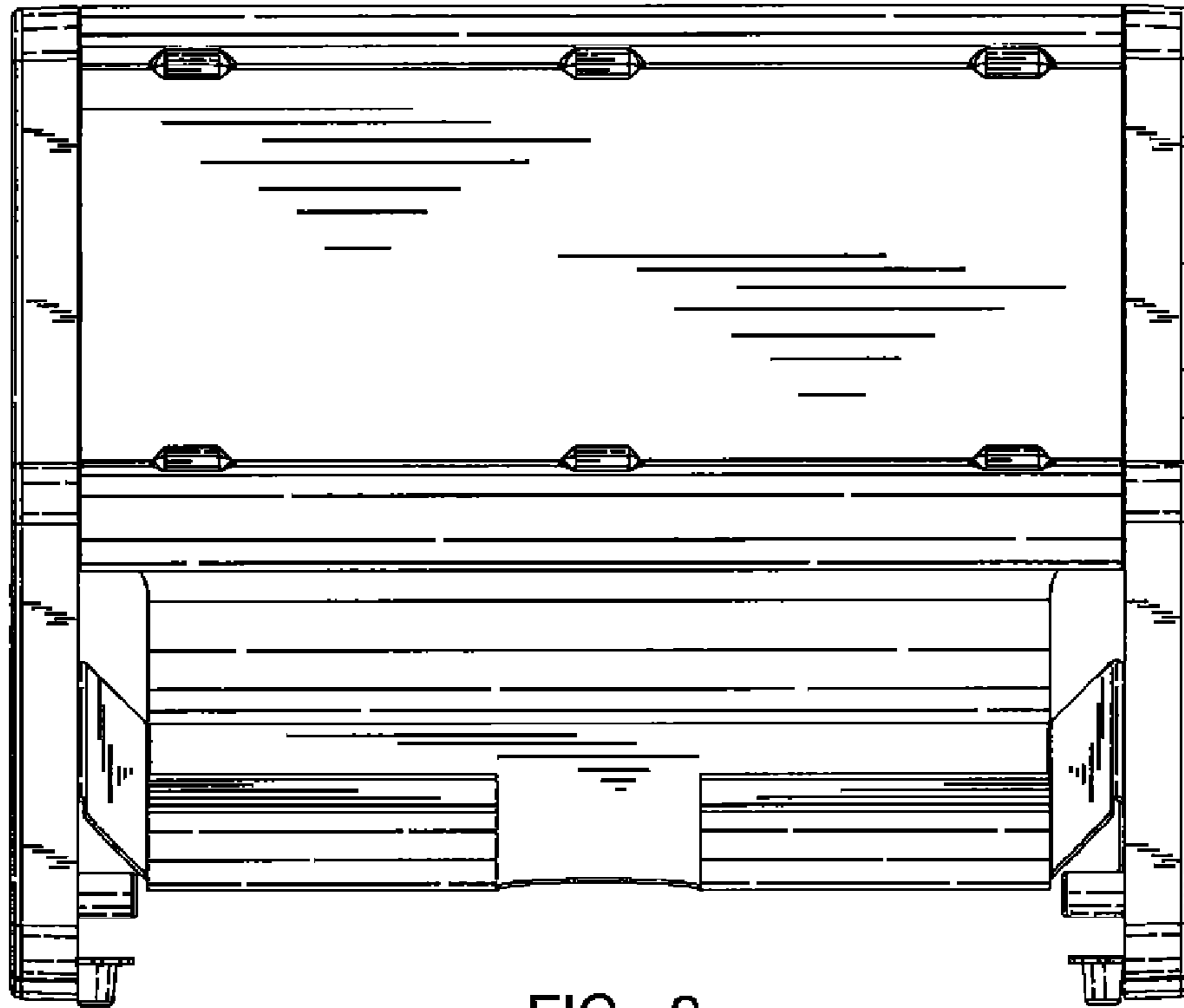


FIG. 2



FIG. 3

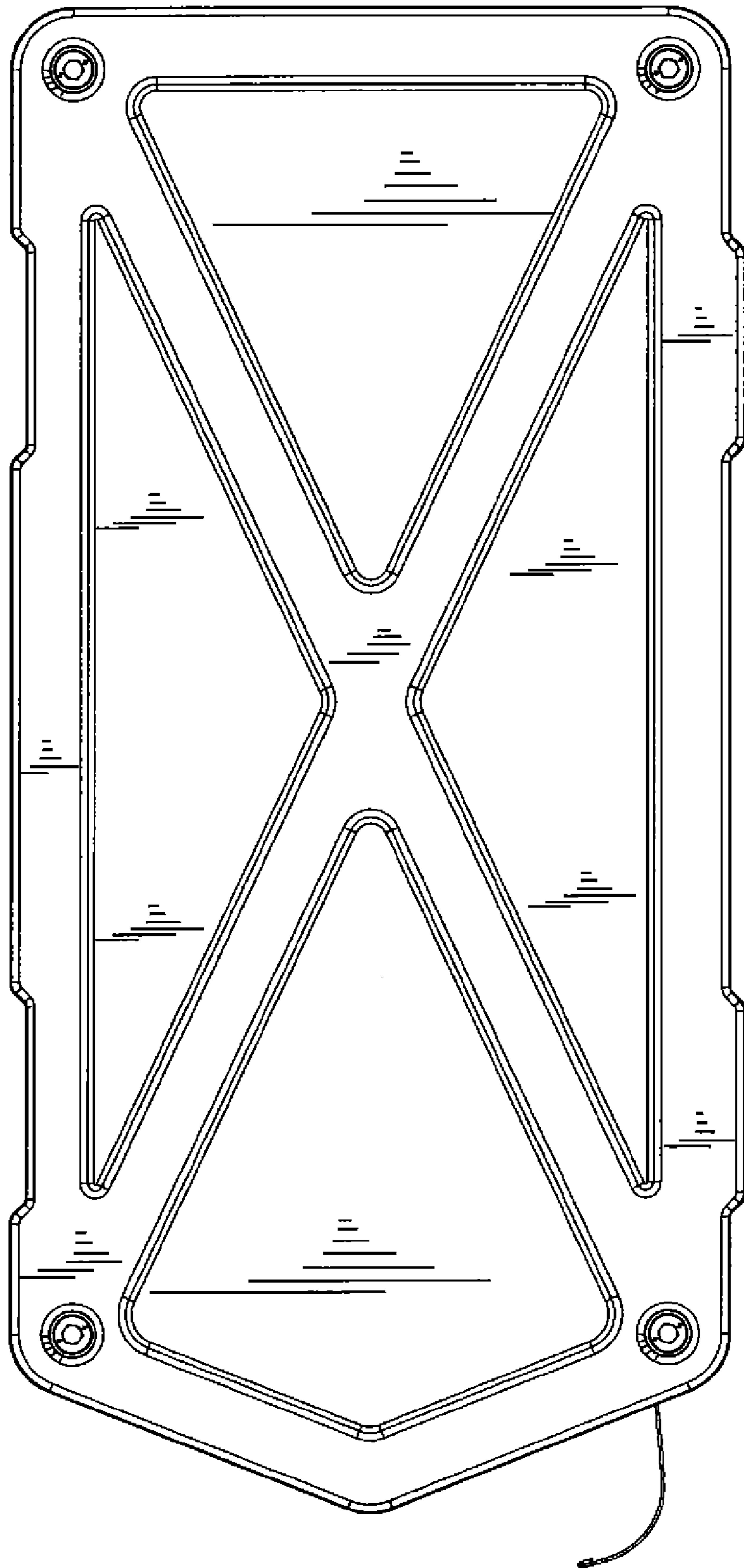


FIG. 4

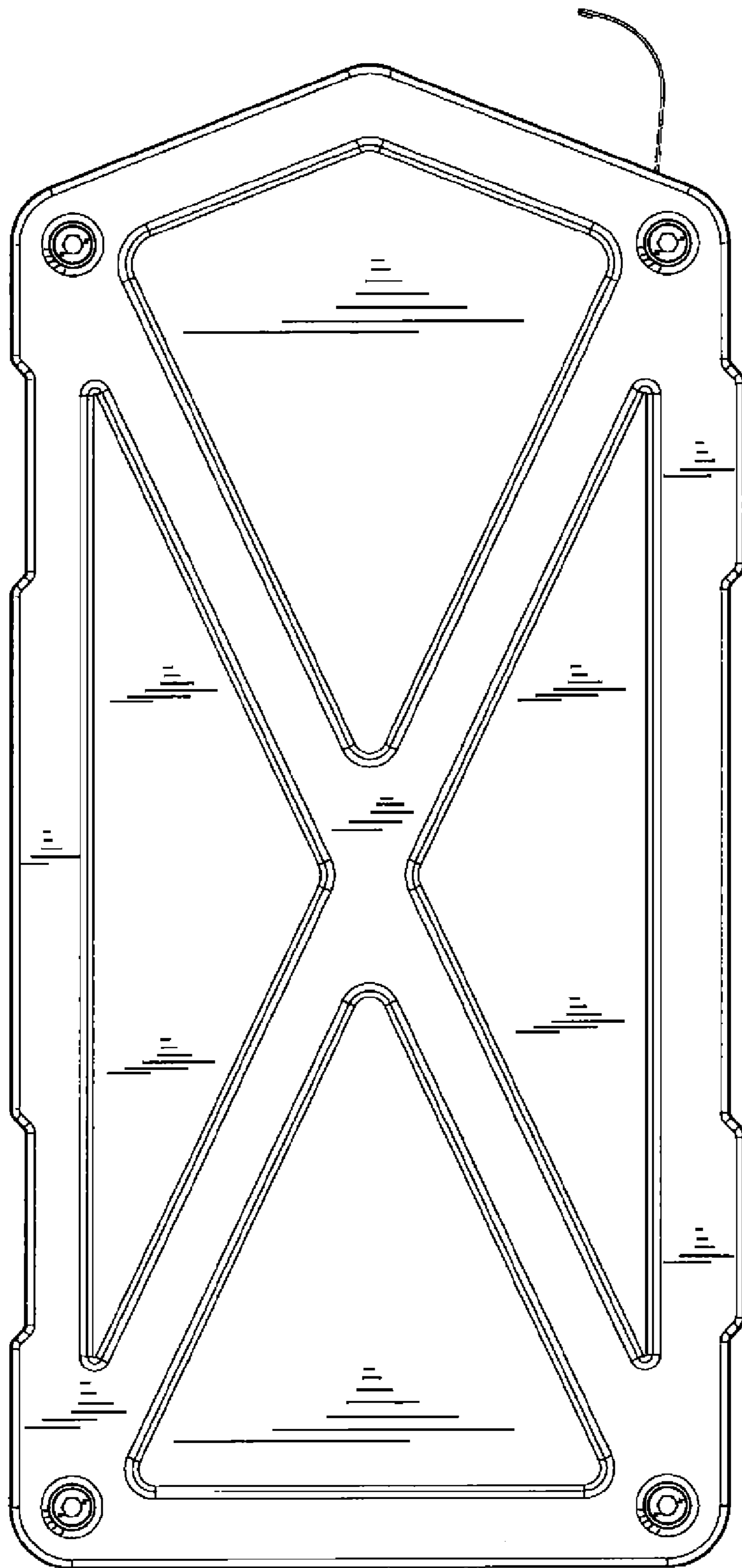


FIG. 5

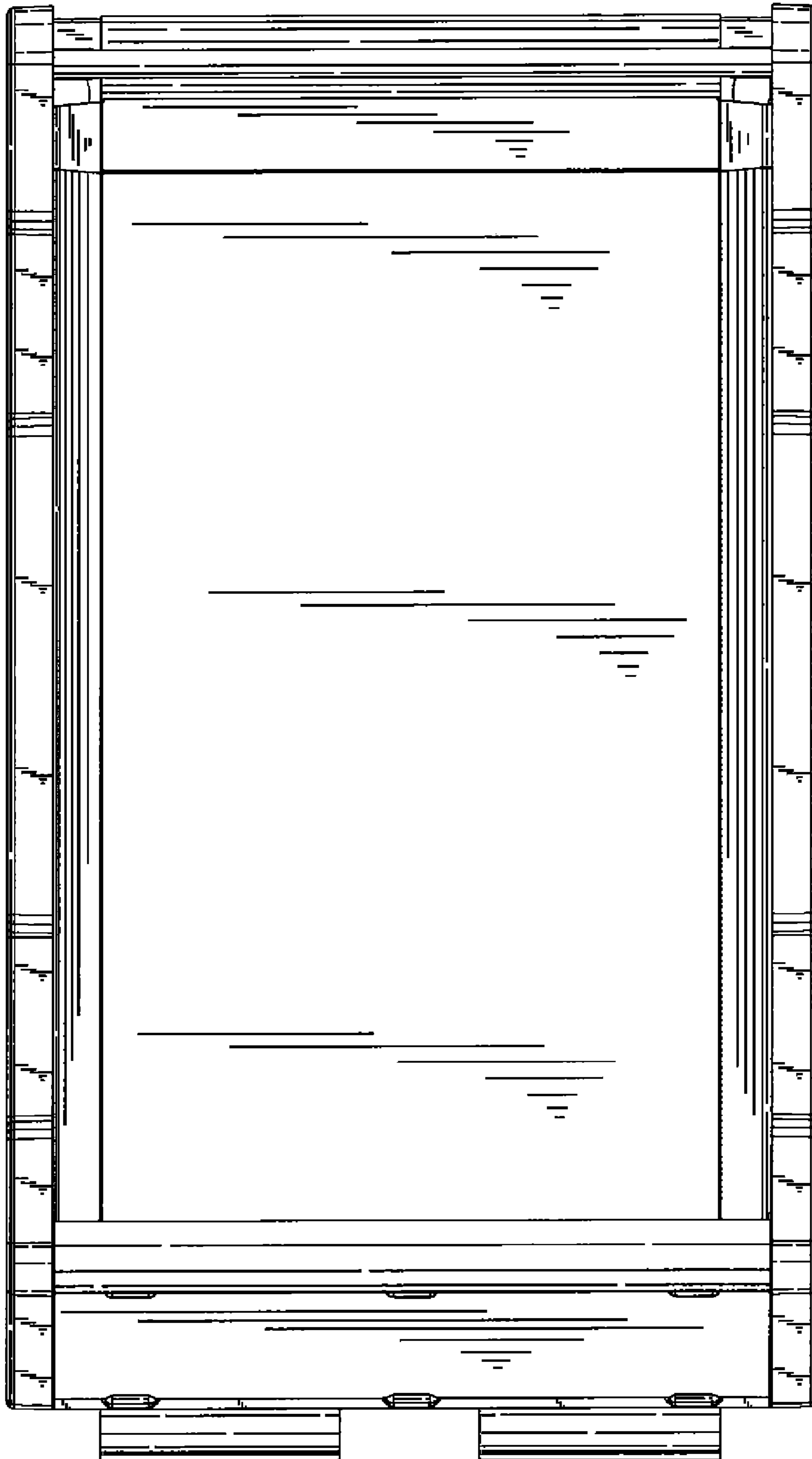


FIG. 6

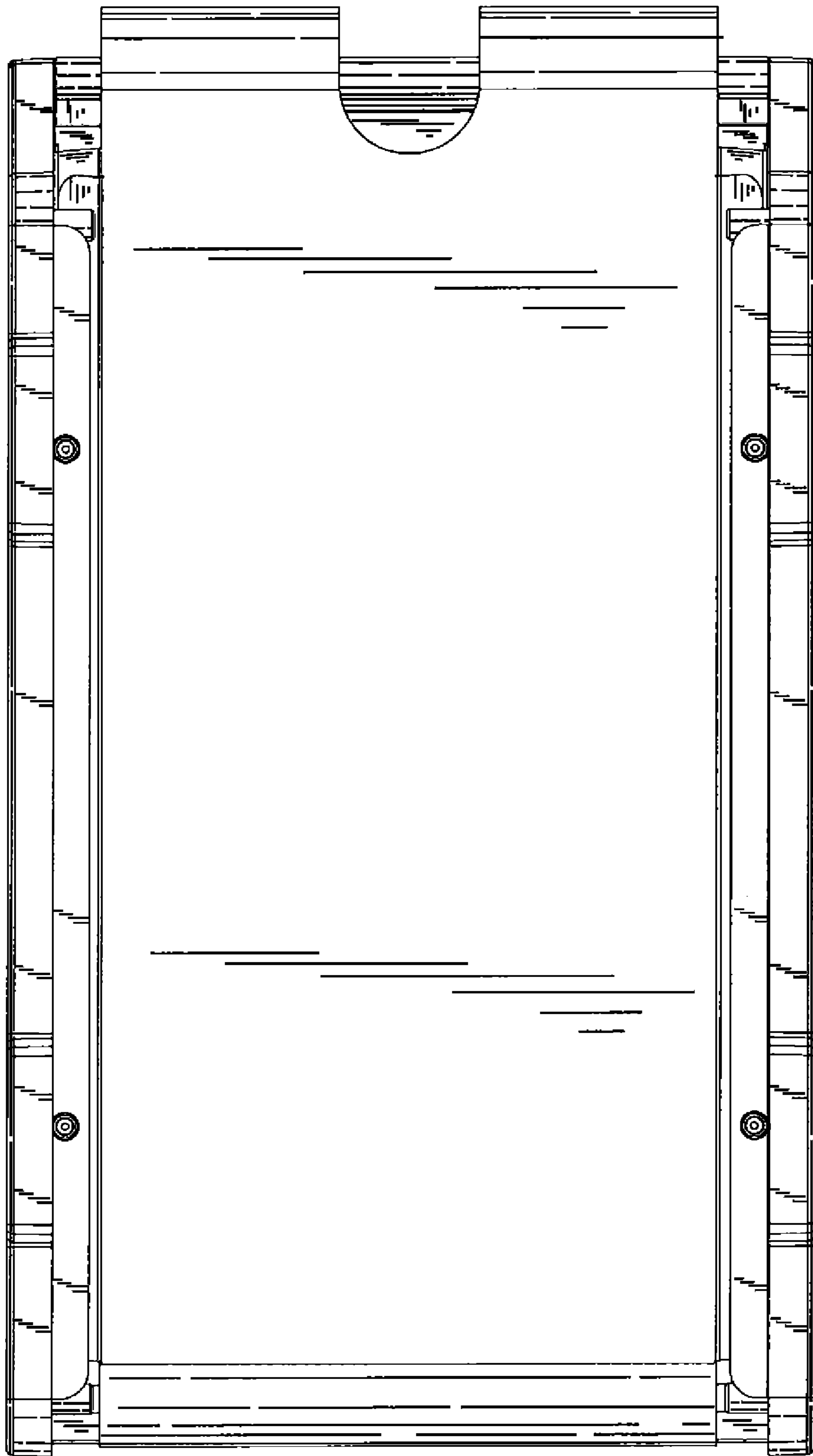


FIG. 7

FIG. 8

