



US00D601833S

(12) **United States Design Patent**
Stukenberg

(10) **Patent No.:** **US D601,833 S**
(45) **Date of Patent:** **** Oct. 13, 2009**

- (54) **FIXTURE BAR**
 - (75) Inventor: **Joseph R. Stukenberg**, Minneapolis, MN (US)
 - (73) Assignee: **Target Brands, Inc.**, Minneapolis, MN (US)
 - (**) Term: **14 Years**
 - (21) Appl. No.: **29/331,765**
 - (22) Filed: **Jan. 30, 2009**
 - (51) **LOC (9) Cl.** **06-07**
 - (52) **U.S. Cl.** **D6/509**
 - (58) **Field of Classification Search** D6/449, D6/509, 491, 495, 409, 396, 332, 410, 480, D6/462; 211/195, 204, 187, 103, 193, 90.01, 211/105.1, 49.1
- See application file for complete search history.

4,925,038 A	5/1990	Gajewski	
D312,177 S *	11/1990	Walter	D6/509
D314,482 S *	2/1991	Walter et al.	D6/409
D315,651 S *	3/1991	Citterio et al.	D6/509
D318,194 S	7/1991	Terrell et al.	
D319,934 S	9/1991	Terrell et al.	
5,272,991 A	12/1993	Carrigan, Jr.	
5,433,046 A	7/1995	MacQuarrie et al.	
D371,026 S	6/1996	Hendler et al.	
5,535,898 A	7/1996	Burgess, Sr. et al.	
5,607,070 A	3/1997	Hellyer	
5,611,442 A	3/1997	Howard	
5,653,349 A	8/1997	Dana et al.	
5,660,637 A	8/1997	Dodge	
D394,360 S	5/1998	Geier et al.	
D409,858 S	5/1999	Reed	
5,918,750 A	7/1999	Jackson	
5,921,190 A	7/1999	Wood	
5,944,203 A	8/1999	Vlah et al.	
D417,978 S	12/1999	Reed	
6,029,833 A	2/2000	Yeh	
6,053,115 A	4/2000	Felton	
D427,457 S	7/2000	Heiny et al.	
D450,948 S	11/2001	Stafford et al.	
D451,300 S	12/2001	Stafford et al.	
6,427,855 B2	8/2002	LaBruna, Jr. et al.	
D466,331 S	12/2002	Chang	
6,488,160 B2	12/2002	Wang	
D470,685 S	2/2003	Chang	
D474,350 S	5/2003	Sardis	
6,561,365 B2	5/2003	Bustos	
6,561,366 B2	5/2003	Kim-So	
6,669,037 B1	12/2003	Ahn	
D495,523 S	9/2004	Harwanko	
6,935,523 B2	8/2005	Ahn	
D510,492 S *	10/2005	Sakurai et al.	D6/495
6,959,824 B1	11/2005	Alperson	
D533,738 S	12/2006	Berg et al.	
D554,919 S	11/2007	Clark et al.	
D571,130 S	6/2008	Clark et al.	
D571,131 S	6/2008	Clark et al.	
D587,940 S *	3/2009	Crowley	D6/491

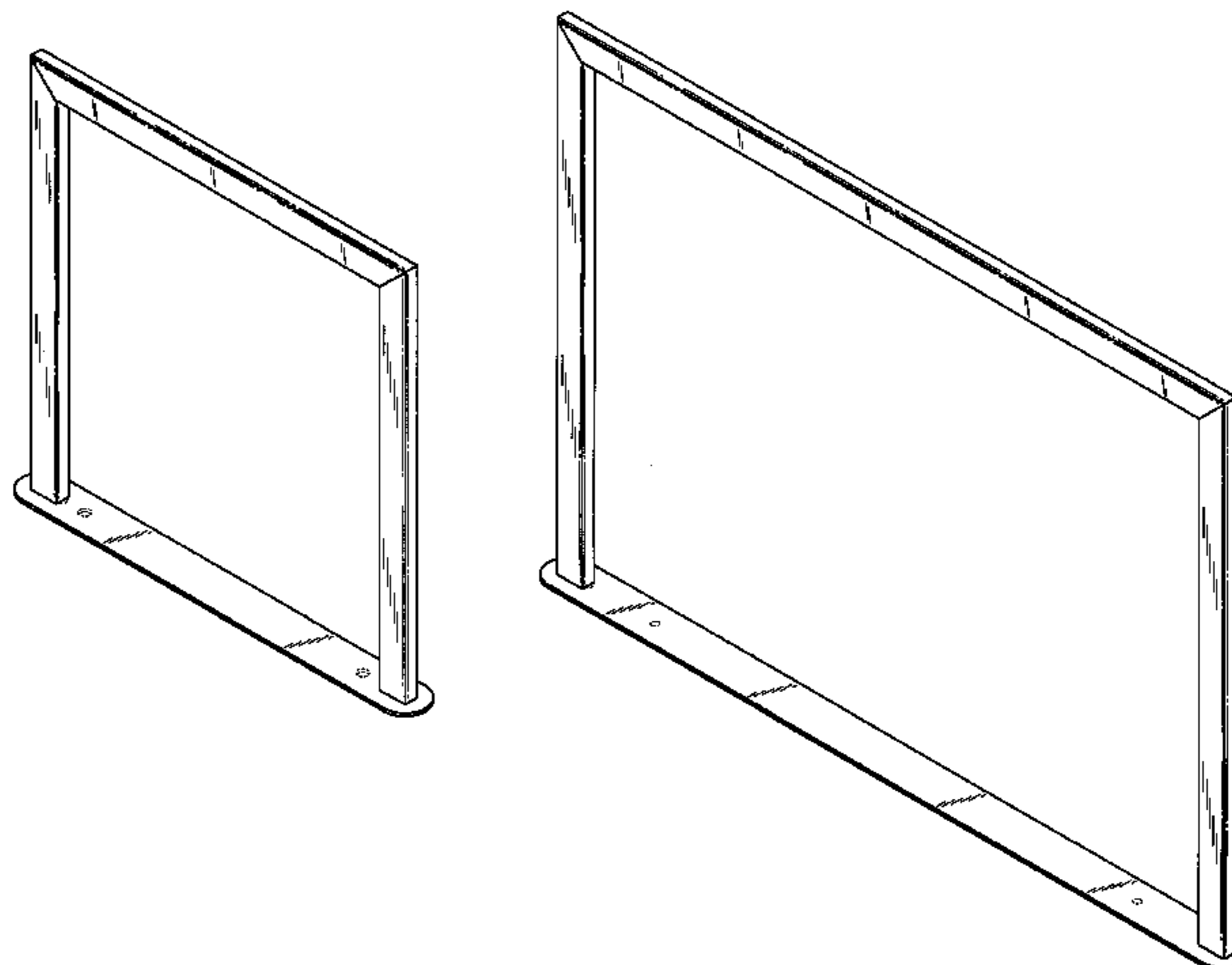
(56) **References Cited**
U.S. PATENT DOCUMENTS

D174,407 S *	4/1955	Anderie	D6/449
2,710,241 A	6/1955	Lieberman	
2,798,618 A	7/1957	Singer	
2,893,568 A	7/1959	Scholz	
3,297,374 A	1/1967	Radek	
3,411,634 A	11/1968	Pesce	
D216,715 S *	3/1970	Dottinger	D6/495
3,601,256 A	8/1971	Bowers, Jr et al.	
3,737,048 A	6/1973	Giroux	
3,830,374 A	8/1974	Kassimir	
3,856,320 A	12/1974	Blanchard	
3,865,250 A	2/1975	Jay	
4,046,083 A	9/1977	Murdoch et al.	
4,127,196 A	11/1978	Boucher	
4,191,298 A	3/1980	Broudy	
4,331,245 A	5/1982	Schell	
4,380,298 A	4/1983	Harig	
4,444,322 A	4/1984	Lee	
4,460,097 A	7/1984	Darnell, II et al.	
D289,478 S *	4/1987	Vogtherr	D6/495
4,716,841 A	1/1988	Suttles	

OTHER PUBLICATIONS

Jeremy A. Clark et al., Display Fixture Accessories, U.S. Appl. No. 11/627,262, filed Jan. 25, 2007 (45 pgs.).

* cited by examiner



Primary Examiner—Caron Veynar
Assistant Examiner—Sydney R Buffalow
(74) Attorney, Agent, or Firm—Griffiths & Seaton PLLC

(57) **CLAIM**

The ornamental design for a fixture bar, as shown and described.

DESCRIPTION

FIG. 1 is a top, perspective view of a fixture bar, according to my new design;

FIG. 2 is a bottom, perspective view thereof;

FIG. 3 is a front view, a back view being an identical, mirror image of the front view thereof;

FIG. 4 is a top view thereof;

FIG. 5 is a bottom view thereof;

FIG. 6 is a right end view, the left end view being an identical, mirror image of the right end view thereof;

FIG. 7 is a top, perspective view of a fixture bar, according to a second embodiment;

FIG. 8 is a bottom, perspective view thereof, according to the second embodiment;

FIG. 9 is a front view thereof, a back view thereof being an identical, mirror image of the front view, according to the second embodiment;

FIG. 10 is a top view thereof, according to the second embodiment;

FIG. 11 is a bottom view thereof, according to the second embodiment;

FIG. 12 is a right end view thereof, a left end view thereof being an identical, mirror image of the right end view, according to the second embodiment;

FIG. 13 is a top, perspective view of a fixture bar, according to a third embodiment;

FIG. 14 is a bottom, perspective view thereof, according to the third embodiment;

FIG. 15 is a front view thereof, a back view thereof being an identical, mirror image of the front view, according to the third embodiment;

FIG. 16 is a top view thereof, according to the third embodiment;

FIG. 17 is a bottom view thereof, according to the third embodiment;

FIG. 18 is a right end view thereof, a left end view thereof being an identical, mirror image of the right end view, according to the third embodiment;

FIG. 19 is a top, perspective view of a fixture bar, according to a fourth embodiment;

FIG. 20 is a bottom, perspective view thereof, according to the fourth embodiment;

FIG. 21 is a front view thereof, a back view thereof being an identical, mirror image of the front view, according to the fourth embodiment;

FIG. 22 is a top view thereof, according to the fourth embodiment;

FIG. 23 is a bottom view thereof, according to the fourth embodiment; and,

FIG. 24 is a right end view thereof, a left end view thereof being an identical, mirror image of the right end view, according to the fourth embodiment.

The broken lines are for the illustrative purposes only and form no part of the claimed design.

1 Claim, 17 Drawing Sheets

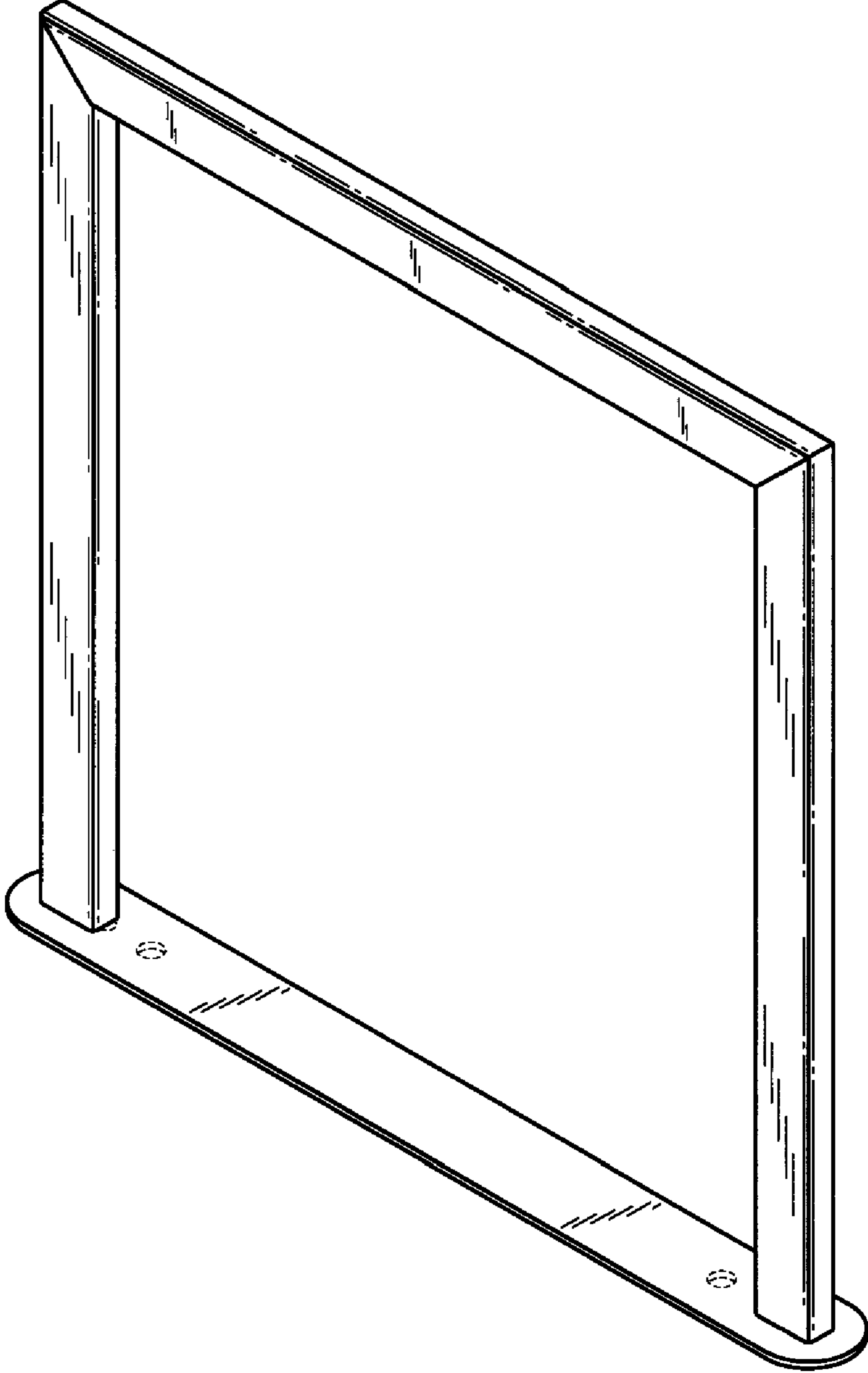


Fig. 1

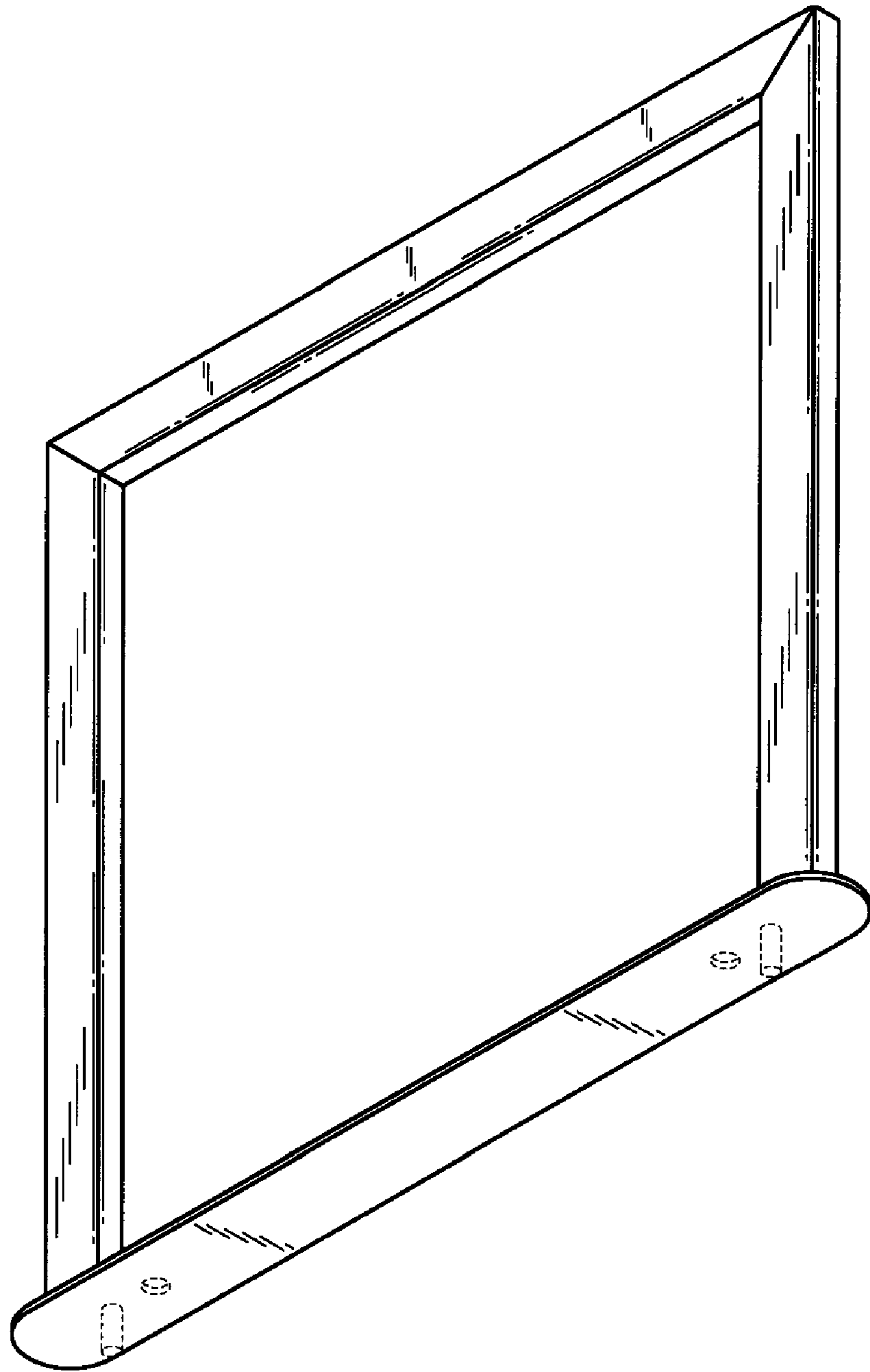


Fig. 2

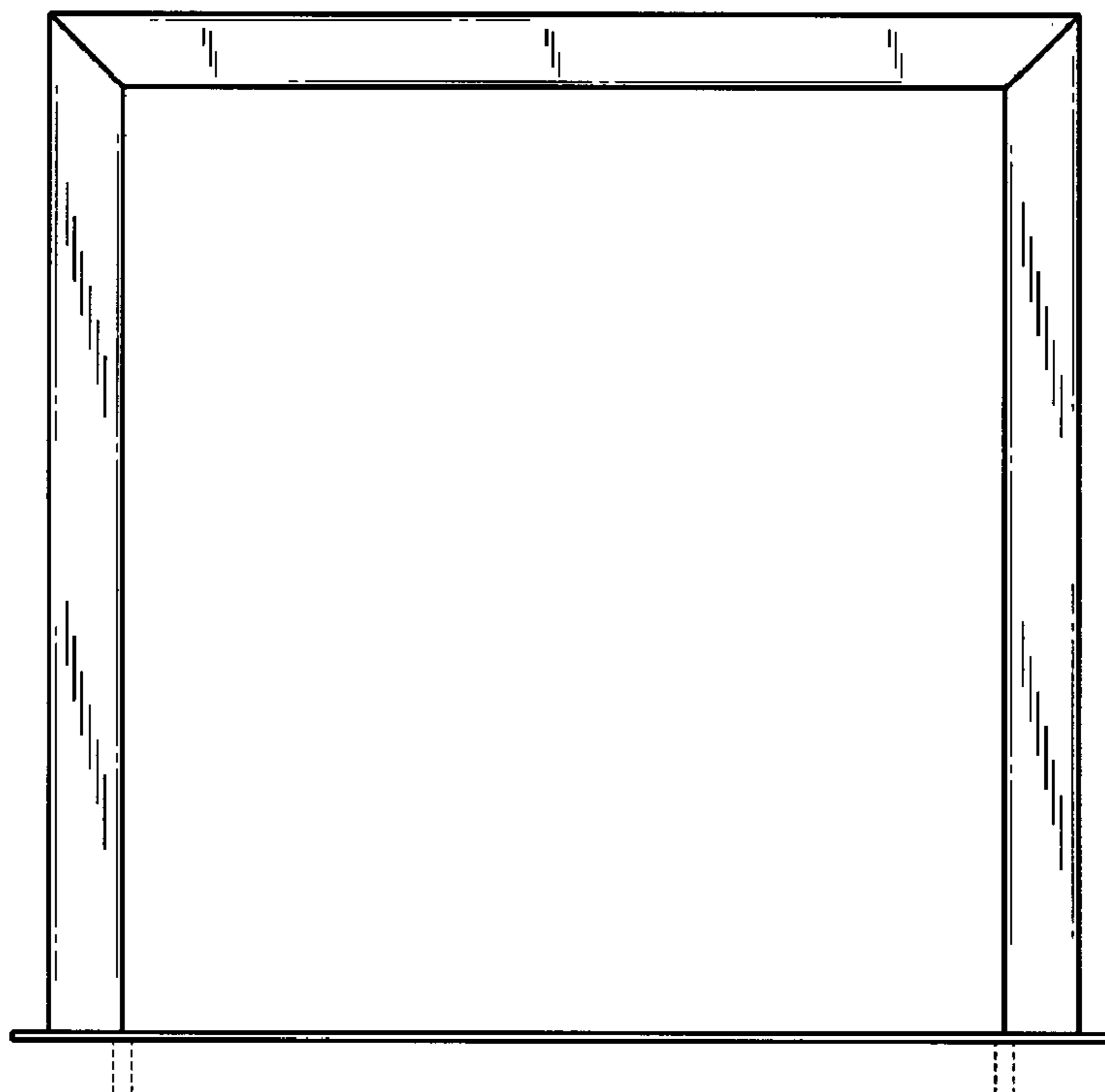


Fig. 3

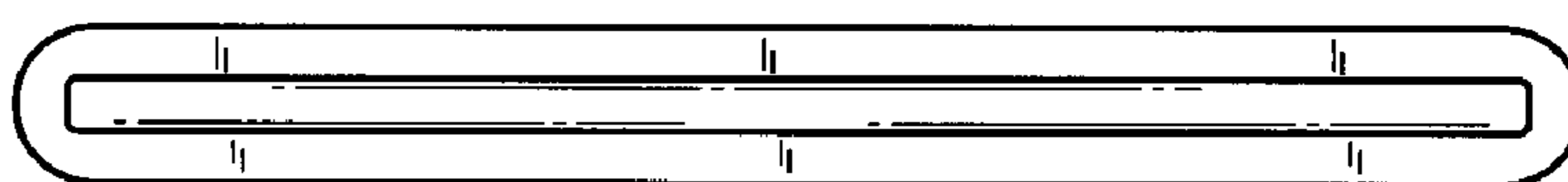


Fig. 4

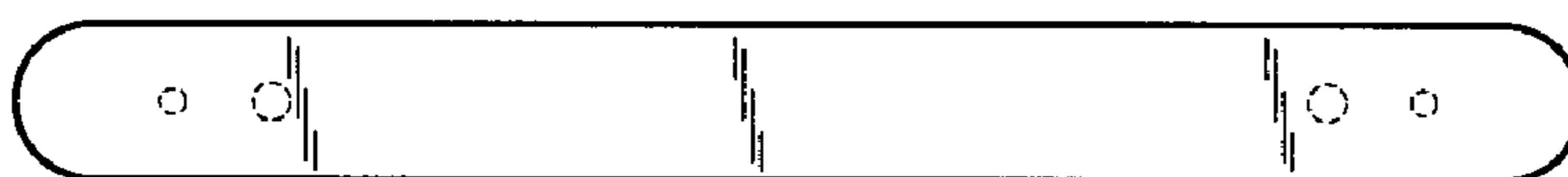


Fig. 5

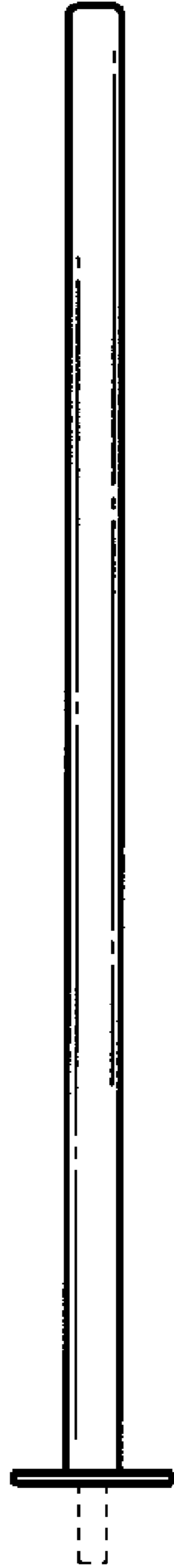


Fig. 6

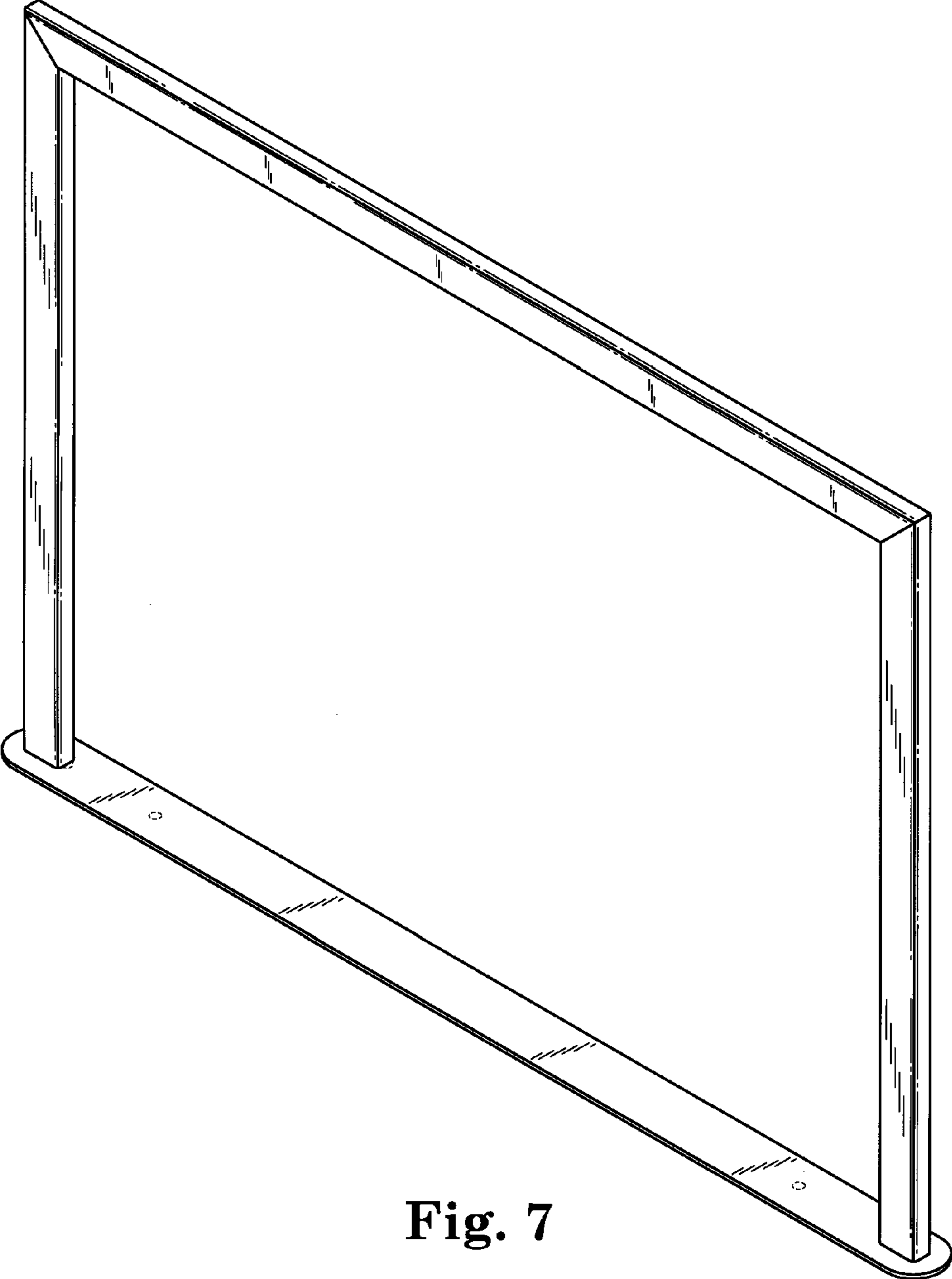


Fig. 7

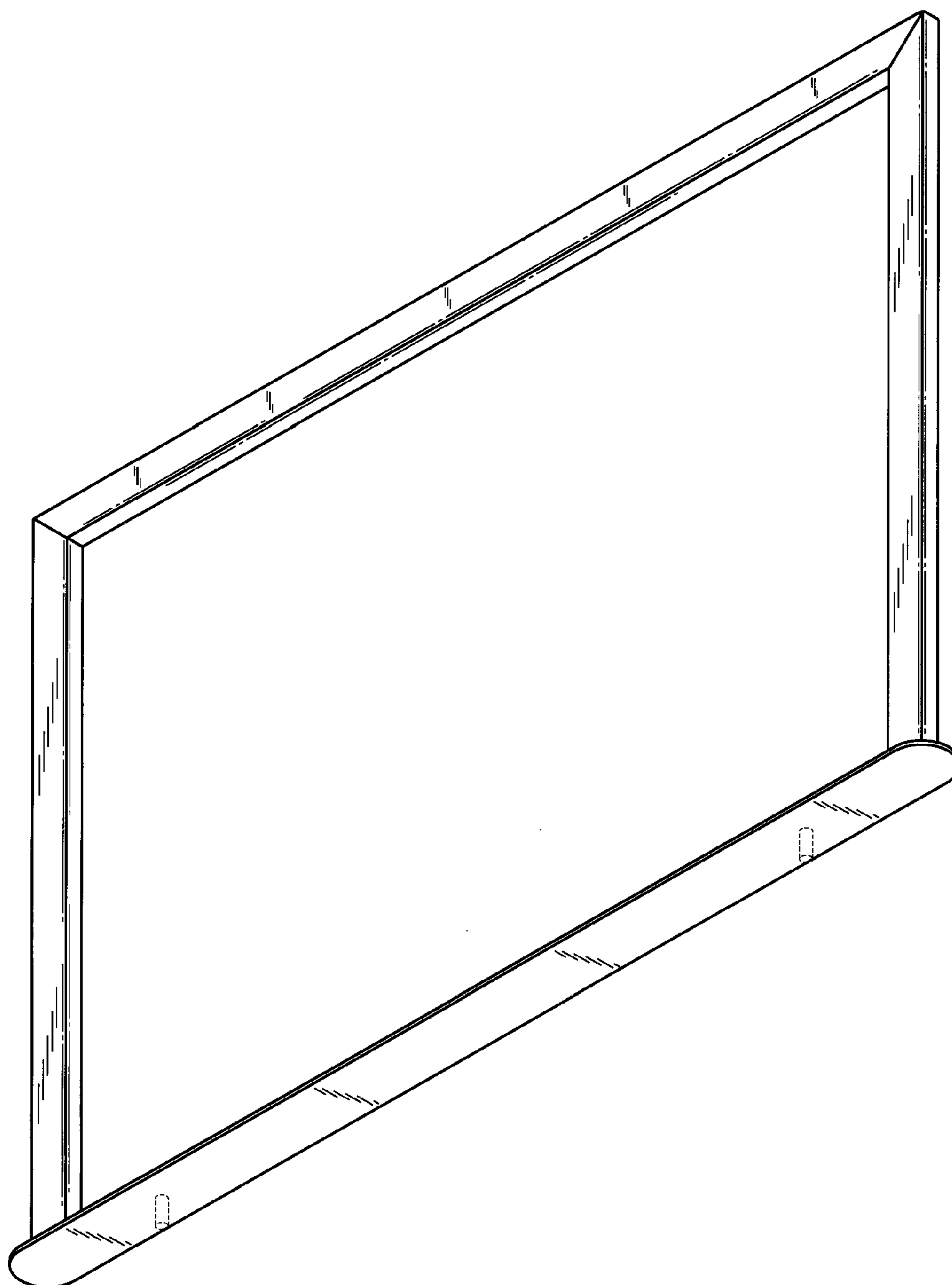


Fig. 8

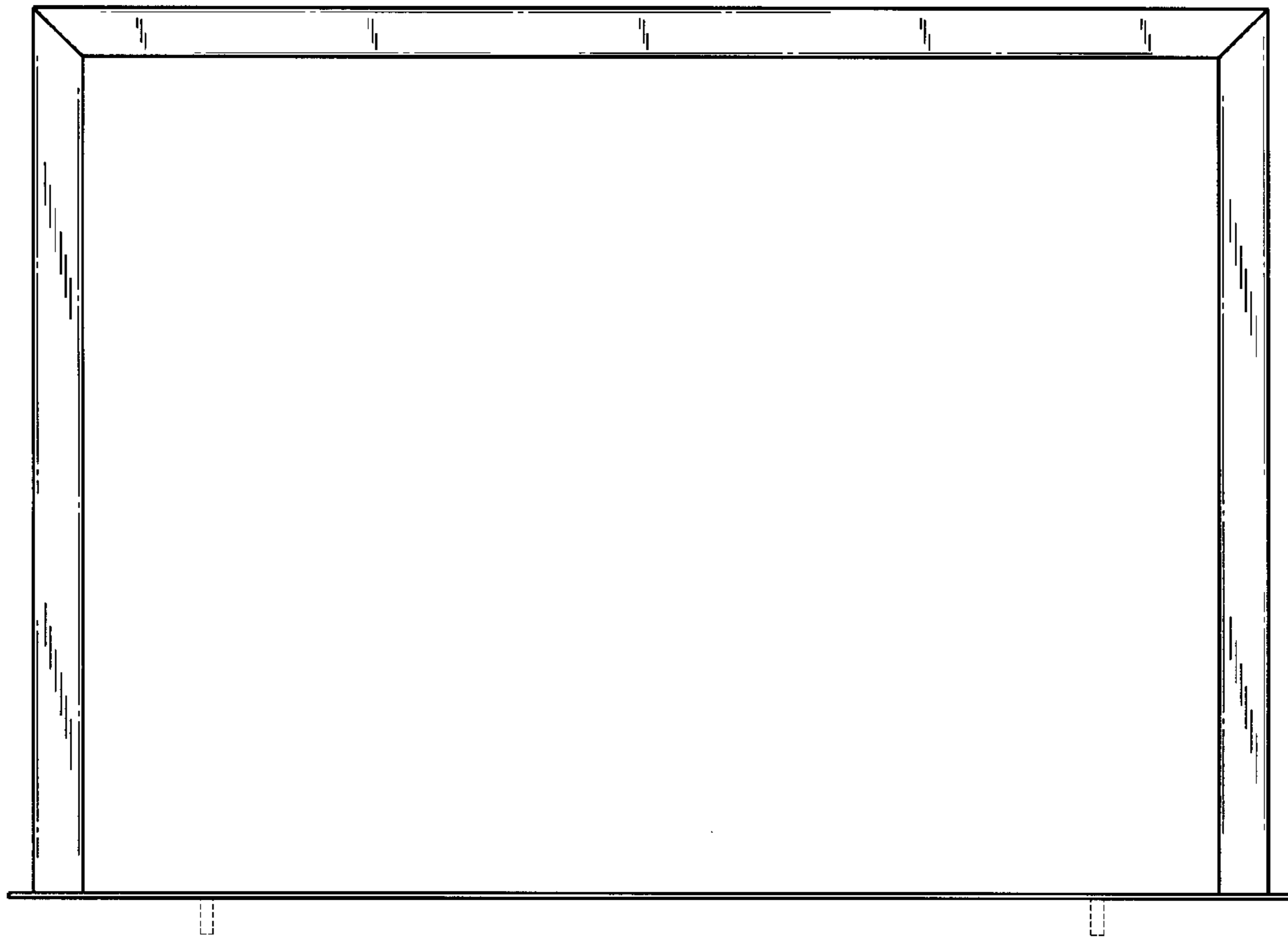


Fig. 9

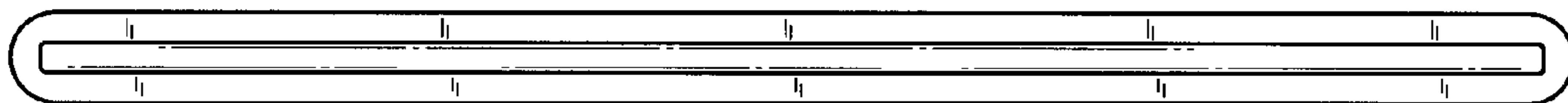


Fig. 10

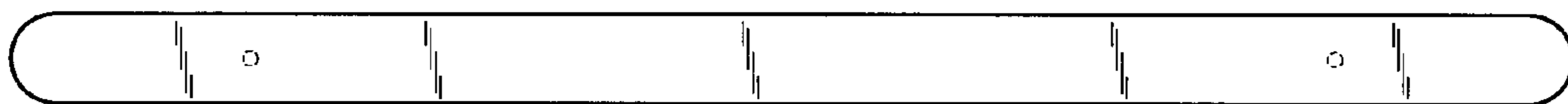


Fig. 11

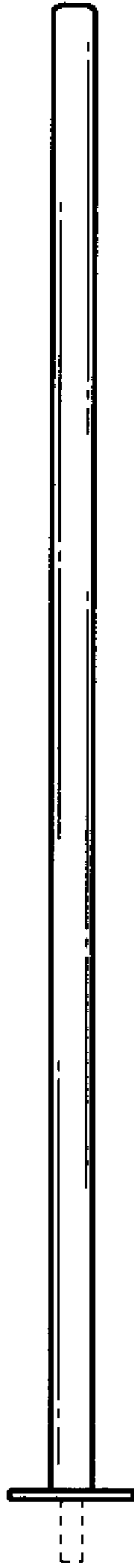


Fig. 12

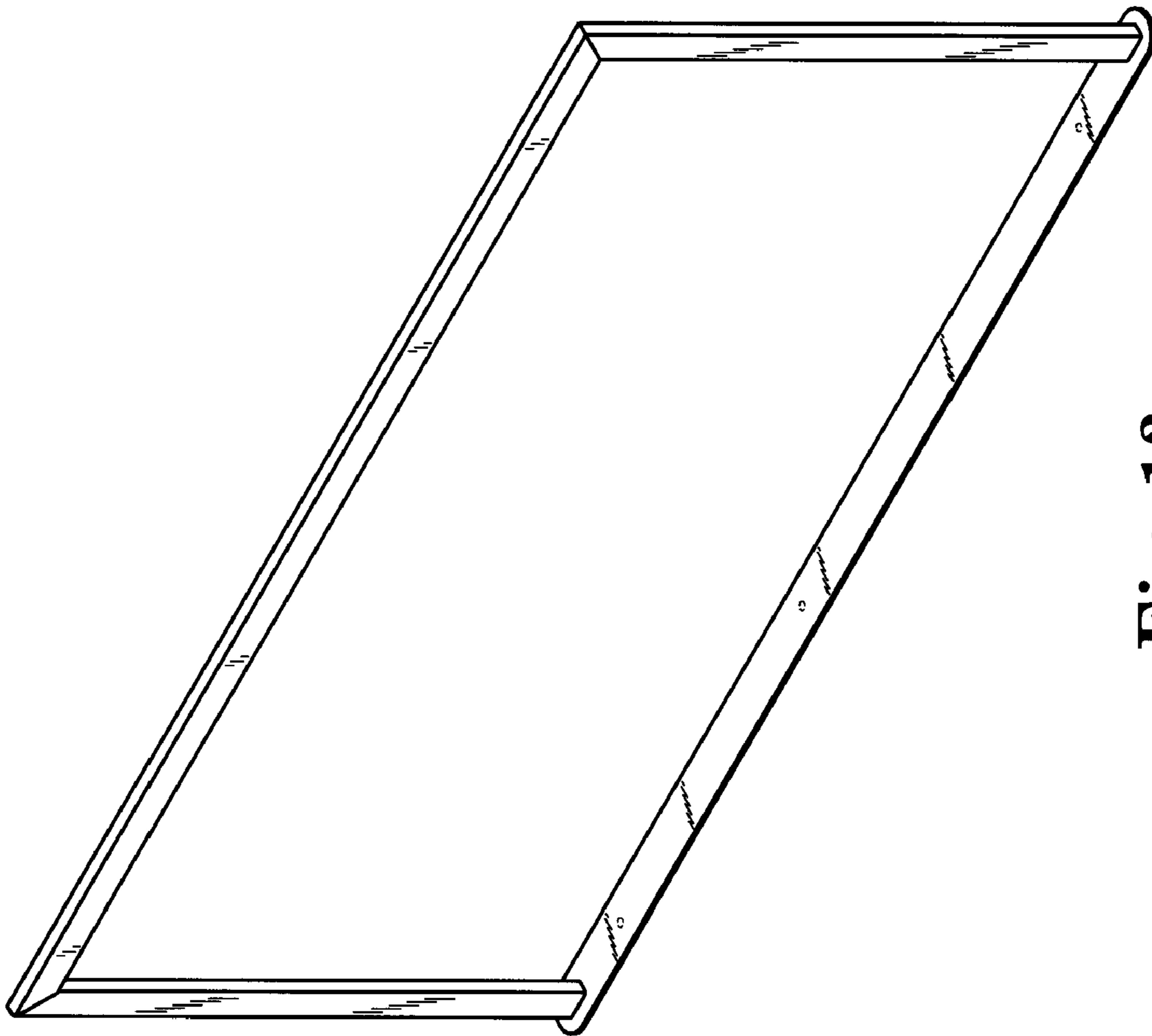


Fig. 13

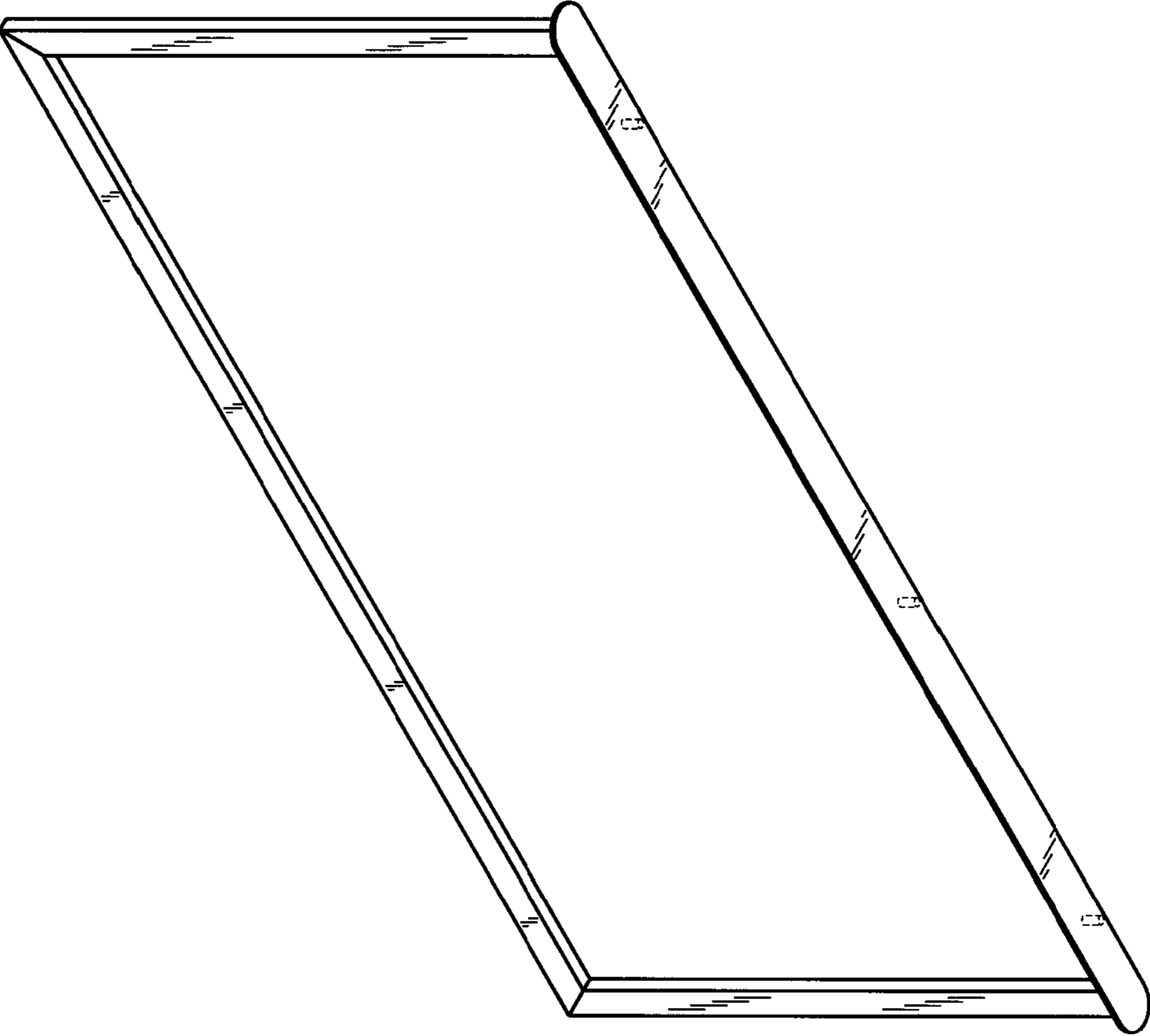


Fig. 14

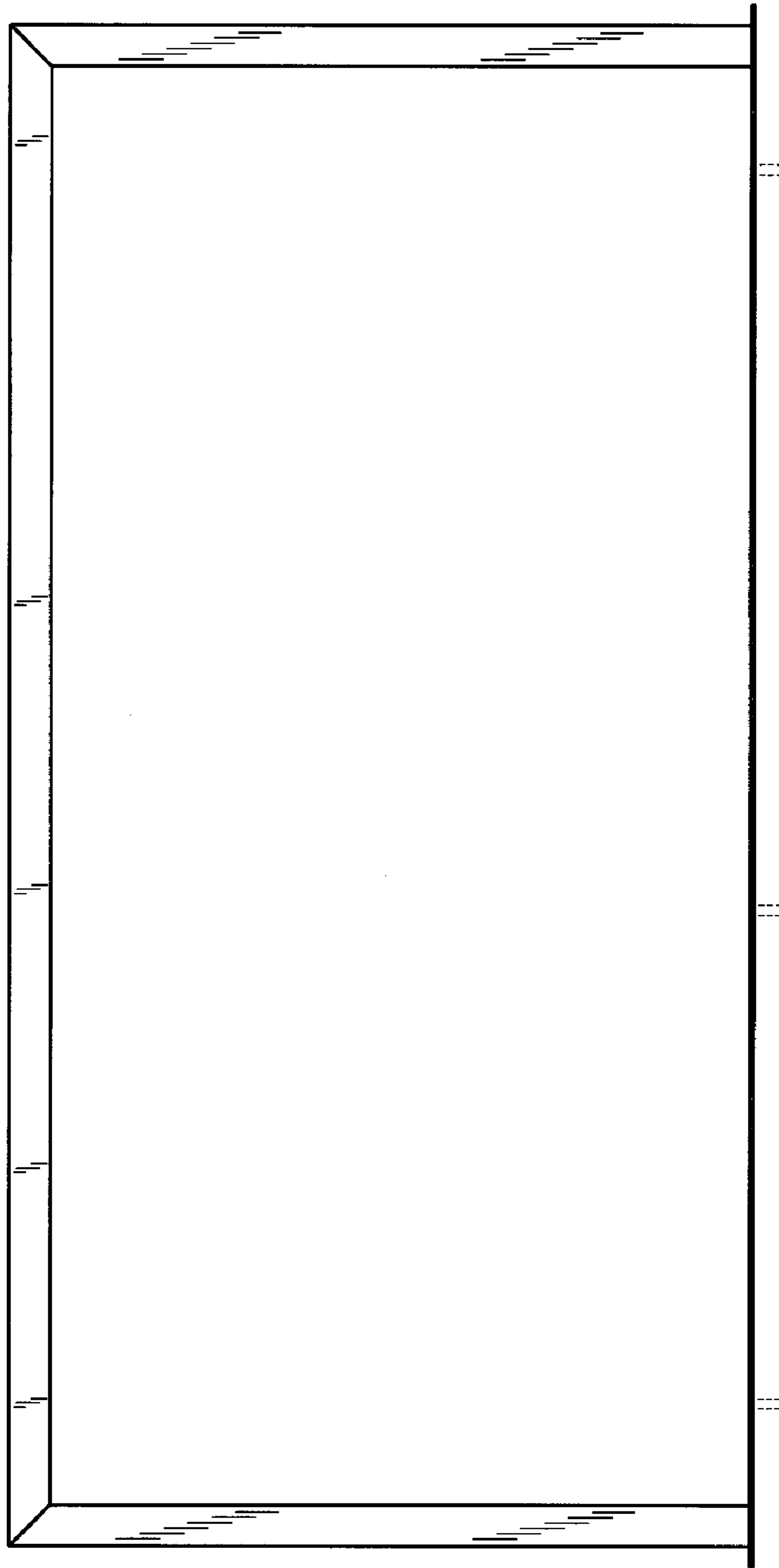


Fig. 15

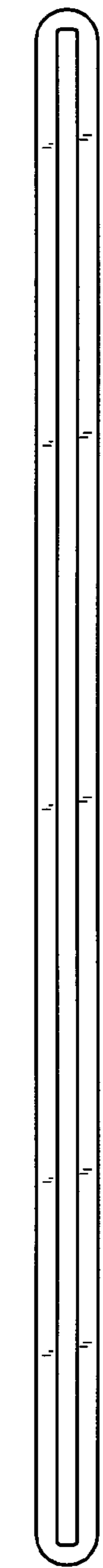


Fig. 16



Fig. 17

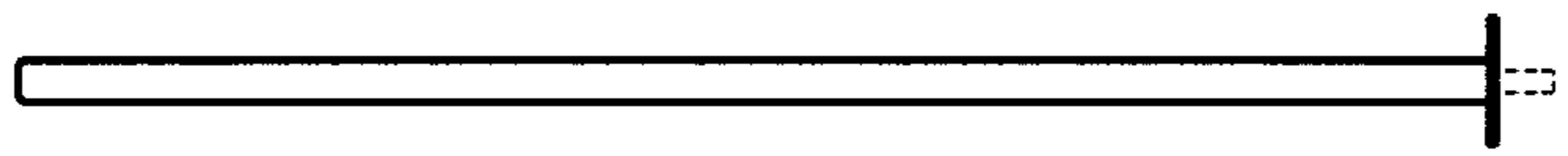


Fig. 18

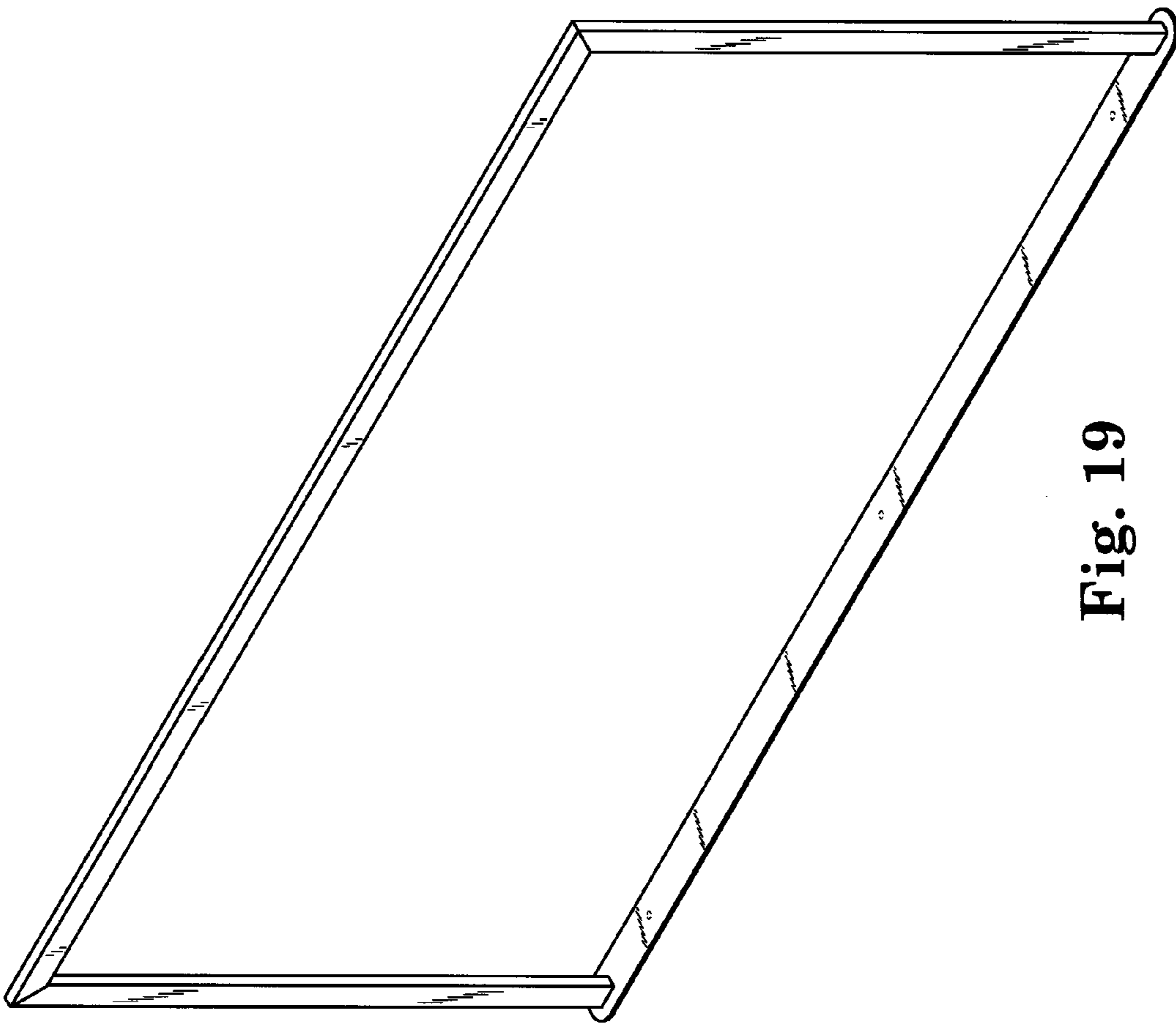


Fig. 19

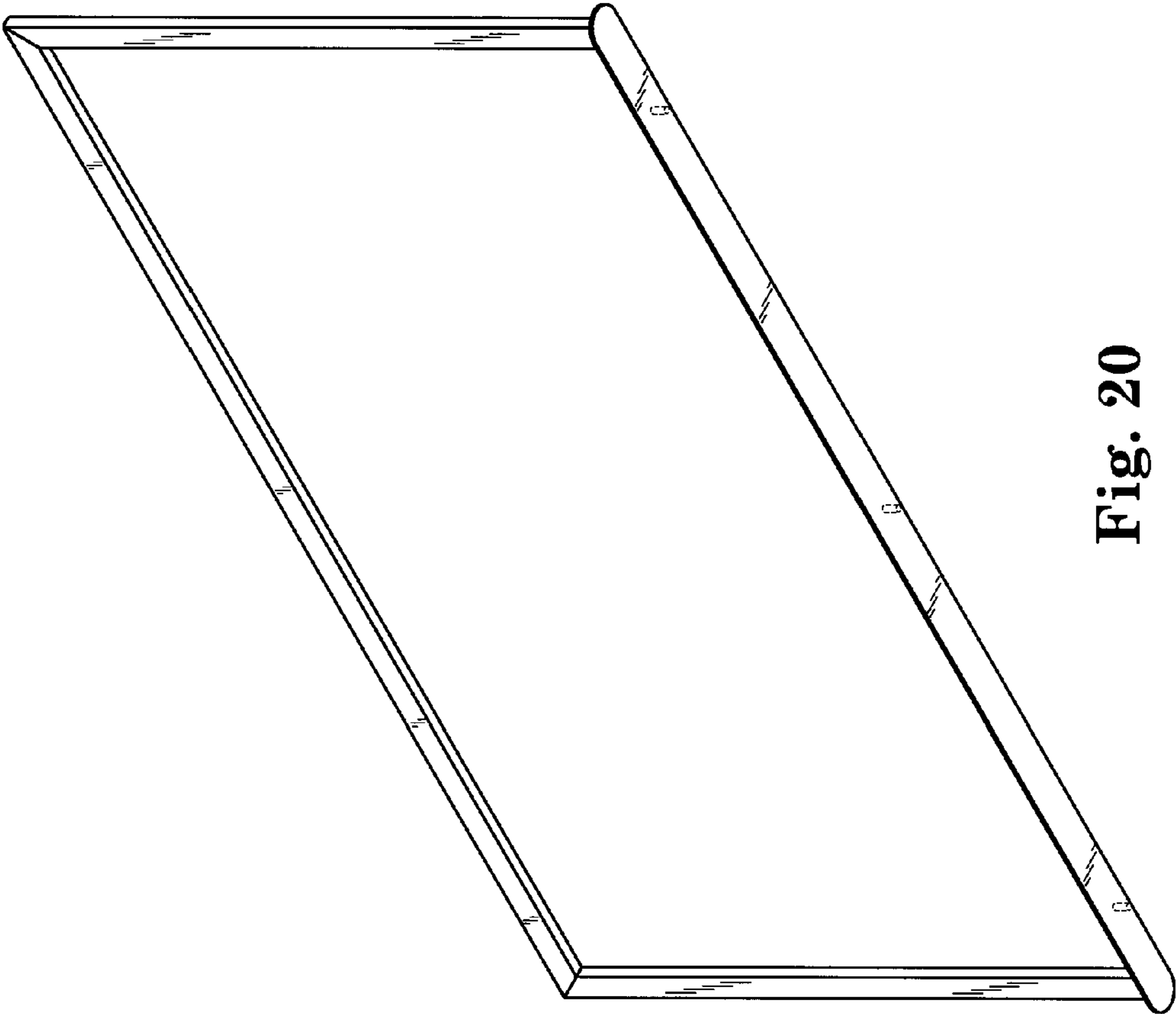


Fig. 20

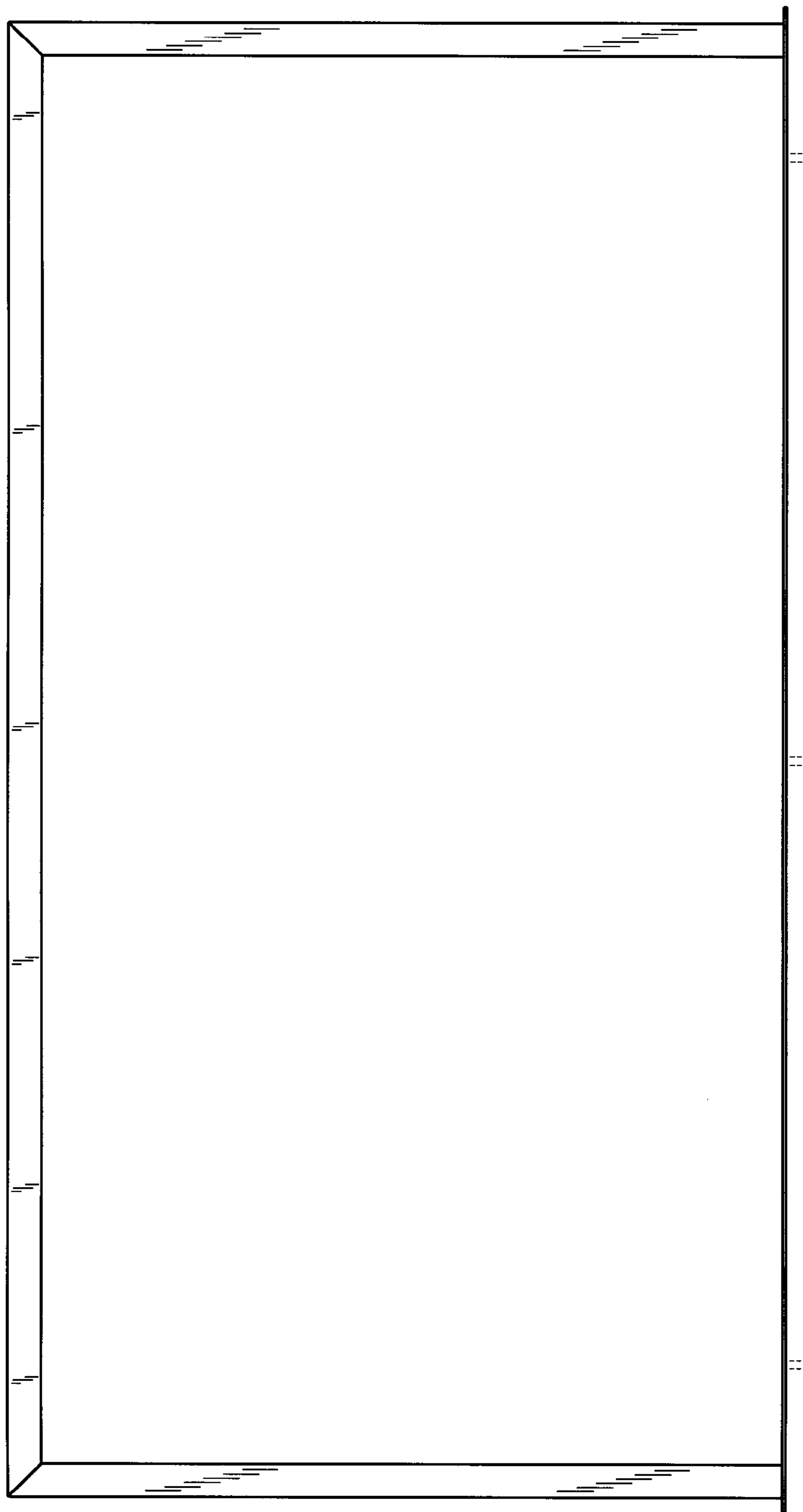


Fig. 21



Fig. 22



Fig. 23

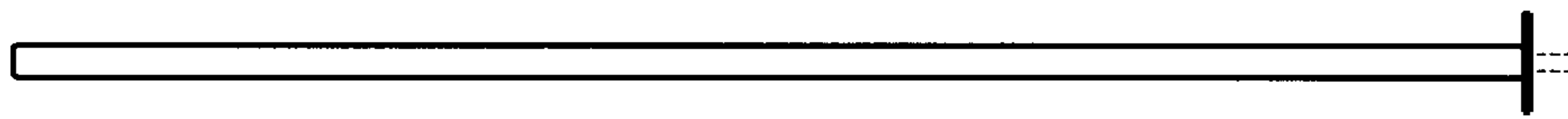


Fig. 24