



US00D601829S

(12) **United States Design Patent**
Lim

(10) **Patent No.:** **US D601,829 S**
(45) **Date of Patent:** **** Oct. 13, 2009**

(54) **STOOL SEAT**

(76) Inventor: **Kok Jit Lim**, 10 Pilot Cir., Greensboro, NC (US) 27407

(**) Term: **14 Years**

(21) Appl. No.: **29/272,319**

(22) Filed: **Feb. 6, 2007**

(51) **LOC (9) Cl.** **06-01**

(52) **U.S. Cl.** **D6/502**

(58) **Field of Classification Search** D6/330,
D6/335-338, 340, 349-355, 358, 359, 364,
D6/366, 376, 491, 495, 500-502, 480; 297/16.1,
297/39, 46, 135, 140, 156, 158.3, 158.4,
297/175, 177, 187, 195.1, 195.11, 211, 245,
297/423.1, 423.16, 445.1, 461, 462; D7/550.1,
D7/552.1, 554.2, 554.3

See application file for complete search history.

(56) **References Cited**

U.S. PATENT DOCUMENTS

D134,359	S	*	11/1942	Warth, Sr.	D6/336
D139,325	S	*	10/1944	Gass	D6/349
2,825,393	A	*	3/1958	Warburton et al.	267/103
2,829,705	A	*	4/1958	Godshalk et al.	297/2
3,310,340	A	*	3/1967	Brewer et al.	297/16.1
D212,086	S	*	8/1968	Gilman	D25/65
D225,710	S	*	1/1973	McIntosh	D6/488
D240,871	S	*	8/1976	Herman	D6/352
D244,657	S	*	6/1977	Laurenzi	D6/485

(Continued)

Primary Examiner—Sandra Snapp

(57) **CLAIM**

The ornamental design for a stool seat, as shown and described.

DESCRIPTION

FIG. 1 is a top, front, left side perspective view of a stool seat embodying my design; the legs shown in dotted line fashion do not form a part of the claimed design;

FIG. 2 is a top plan view thereof;

FIG. 3 is a bottom plan view thereof;

FIG. 4 is a right side elevational view thereof, the left side elevational view being a mirror image thereof;

FIG. 5 is a rear elevational view thereof, the front elevational view being a mirror image thereof;

FIG. 6 is a top, front, left side perspective view of another embodiment of my stool seat; the legs shown in dotted line fashion do not form a part of the claimed design;

FIG. 7 is a top plan view thereof;

FIG. 8 is a bottom plan view thereof;

FIG. 9 is a right side elevational view thereof, the left side elevational view being a mirror image thereof;

FIG. 10 is a rear elevational view thereof, the front elevational view being a mirror image thereof;

FIG. 11 is a top, front, left side perspective view of another embodiment of my stool seat; the legs shown in dotted line fashion do not form a part of the claimed design;

FIG. 12 is a top plan view thereof;

FIG. 13 is a bottom plan view thereof;

FIG. 14 is a right side elevational view thereof, the left side elevational view being a mirror image thereof;

FIG. 15 is a rear elevational view thereof, the front elevational view being a mirror image thereof;

FIG. 16 is a top, front, left side perspective view of another embodiment of my stool seat; the legs shown in dotted line fashion do not form a part of the claimed design;

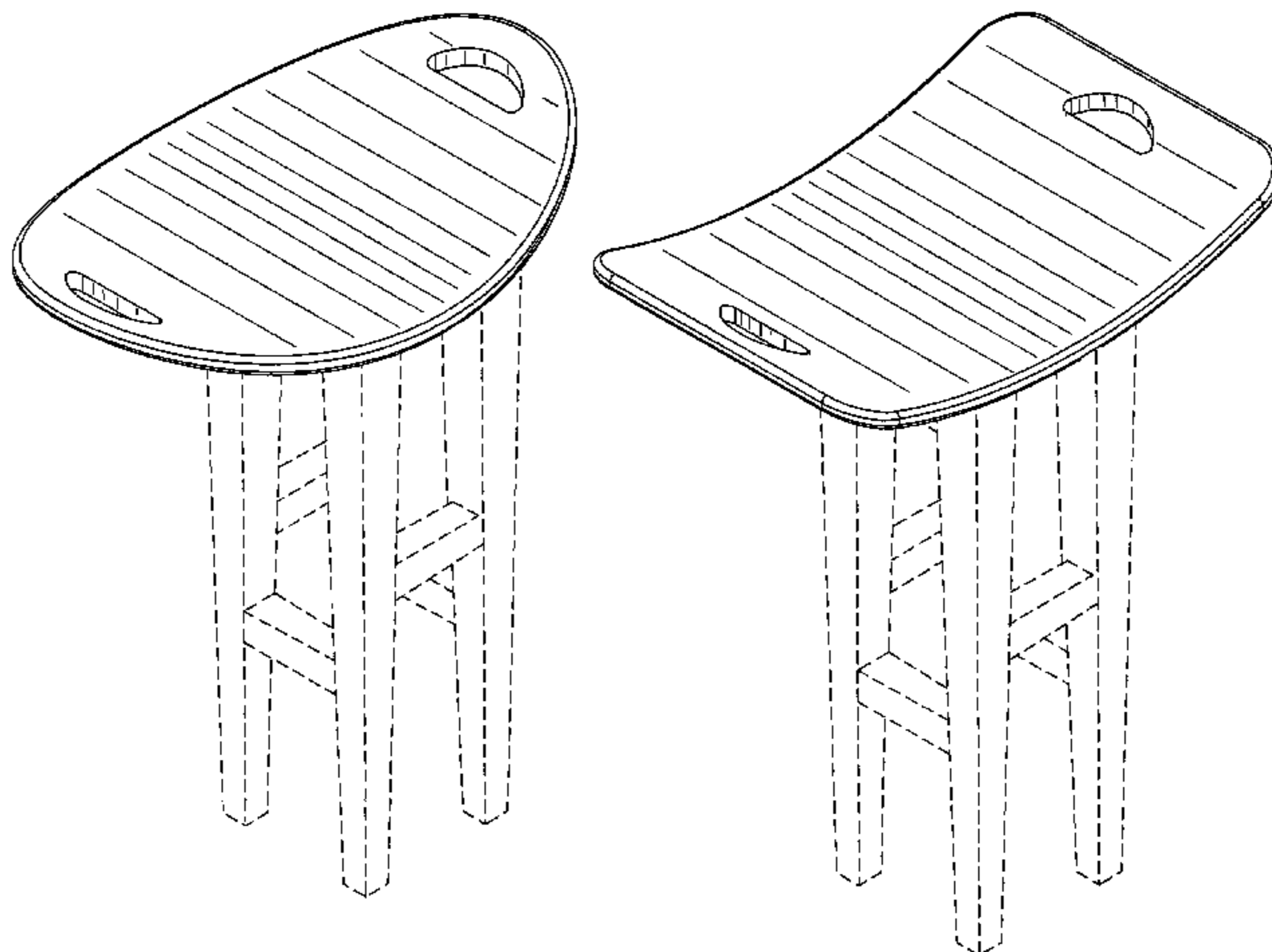
FIG. 17 is a top plan view thereof;

FIG. 18 is a bottom plan view thereof;

FIG. 19 is a right side elevational view thereof, the left side elevational view being a mirror image thereof; and,

FIG. 20 is a rear elevational view thereof, the front elevational view being a mirror image thereof.

1 Claim, 12 Drawing Sheets



US D601,829 S

Page 2

U.S. PATENT DOCUMENTS

4,191,113	A *	3/1980	Hogberg	108/157.16	6,068,331	A *	5/2000	Barnes	297/140
D273,351	S *	4/1984	Crockett	D6/349	D472,396	S *	4/2003	de Blois	D6/349
D286,345	S *	10/1986	Stanislavsk et al.	D6/349	D480,885	S *	10/2003	Martin	D6/349
4,813,742	A *	3/1989	Cardinael	297/423.41	D509,972	S *	9/2005	Brownfield et al.	D6/449
4,998,774	A *	3/1991	Huff et al.	297/461	D530,930	S *	10/2006	Foy	D6/349
D322,872	S *	12/1991	Holbrook	D30/160	D535,506	S *	1/2007	Wilson	D6/503
D336,166	S *	6/1993	Hollington	D6/349	D555,919	S *	11/2007	Baade et al.	D6/349
5,226,865	A *	7/1993	Chin	482/52	D575,540	S *	8/2008	Goldberg et al.	D6/349
D366,772	S *	2/1996	Pasin	D6/363	D578,327	S *	10/2008	Birsel et al.	D6/511
D398,453	S *	9/1998	Stead	D6/349	D579,676	S *	11/2008	Rheault et al.	D6/349
D424,123	S *	5/2000	Henriksen	D21/671	D586,574	S *	2/2009	Gomree	D6/350

* cited by examiner

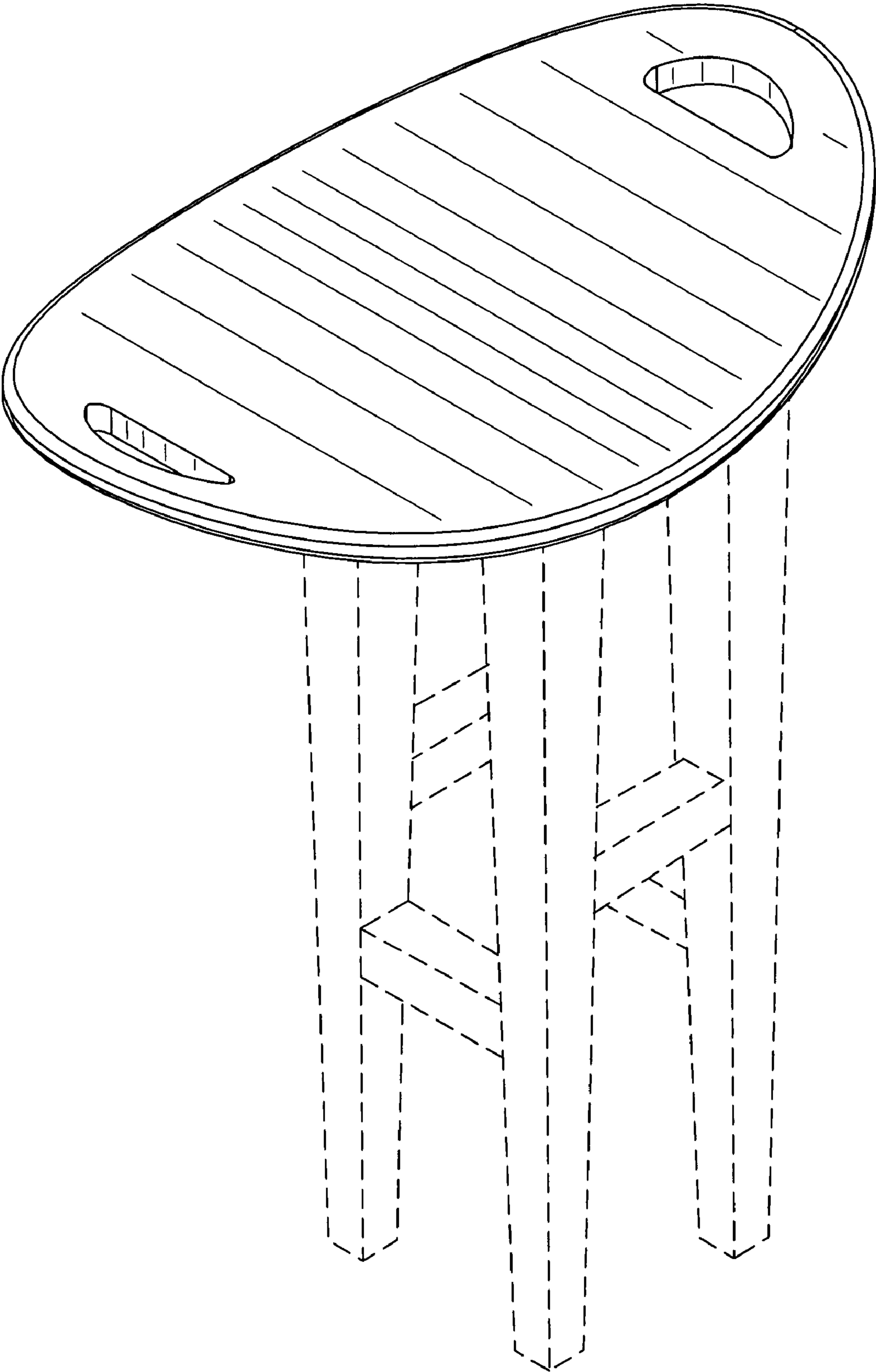


FIG. 1

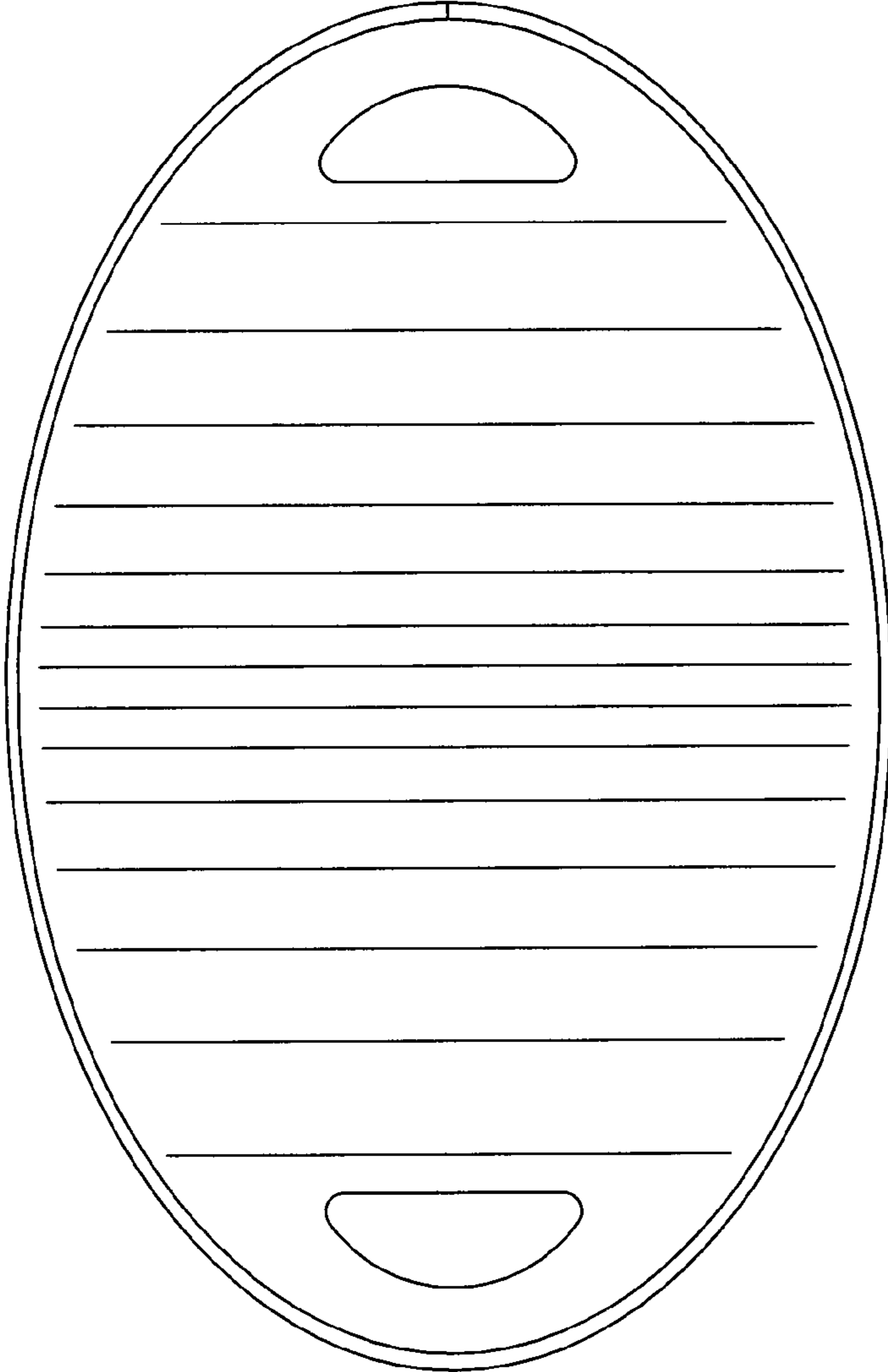


FIG. 2

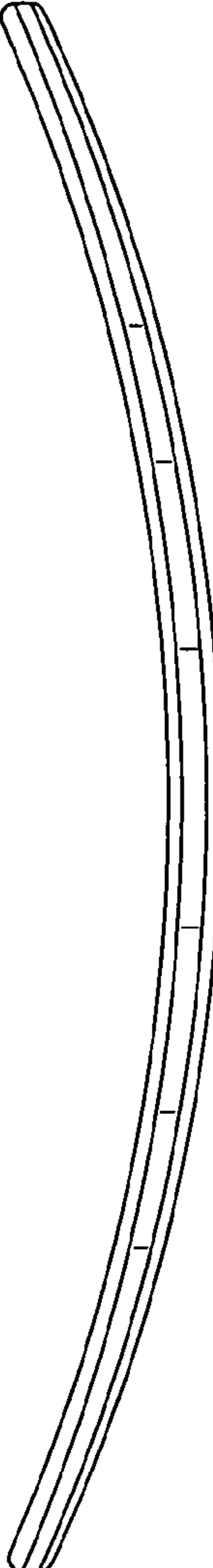


FIG. 5

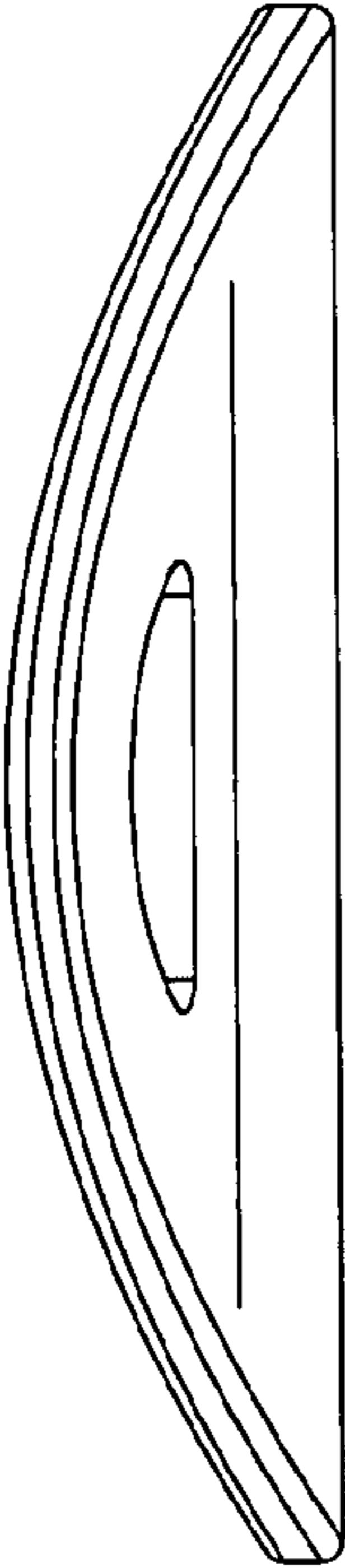


FIG. 4

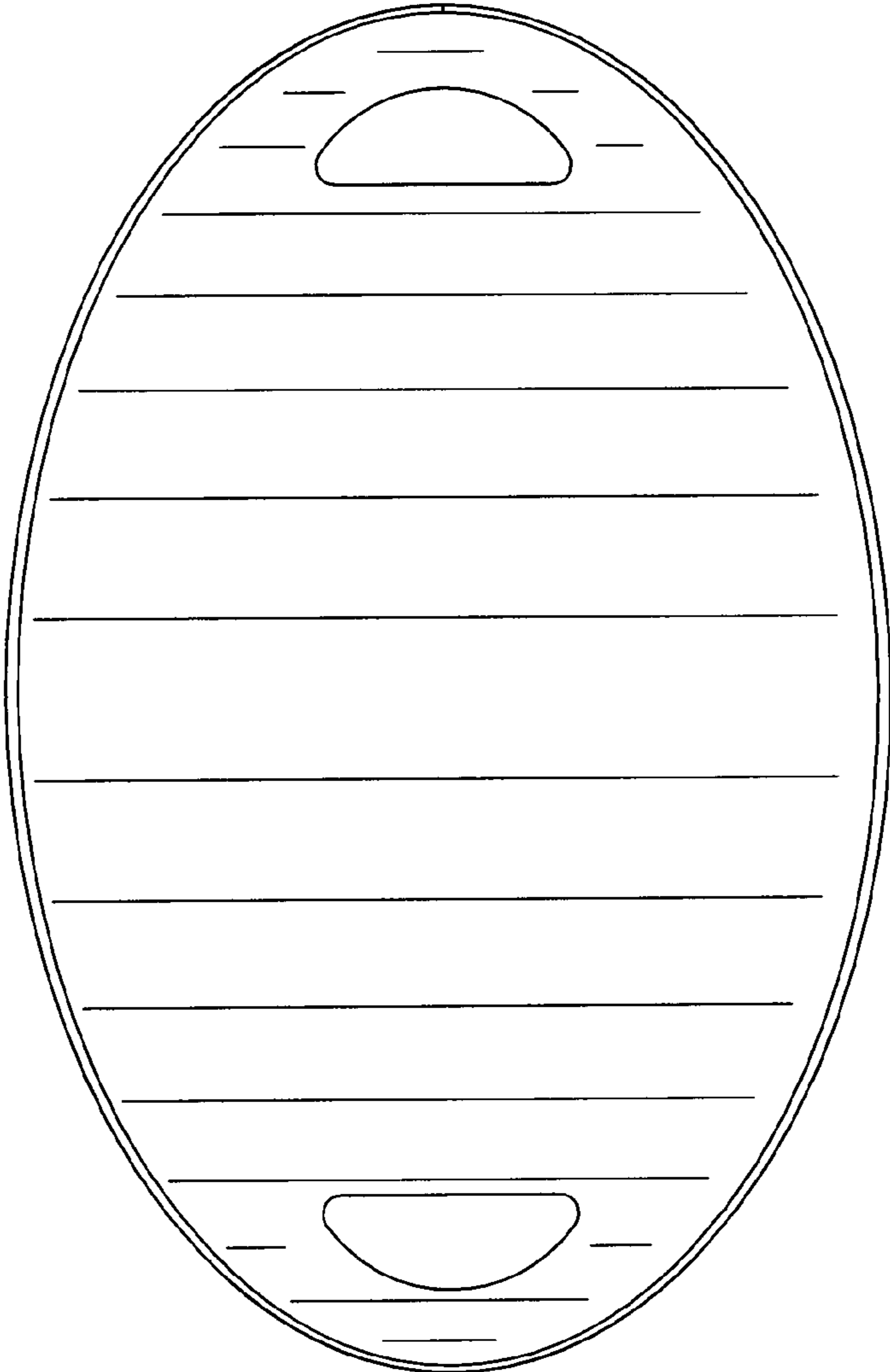


FIG. 3

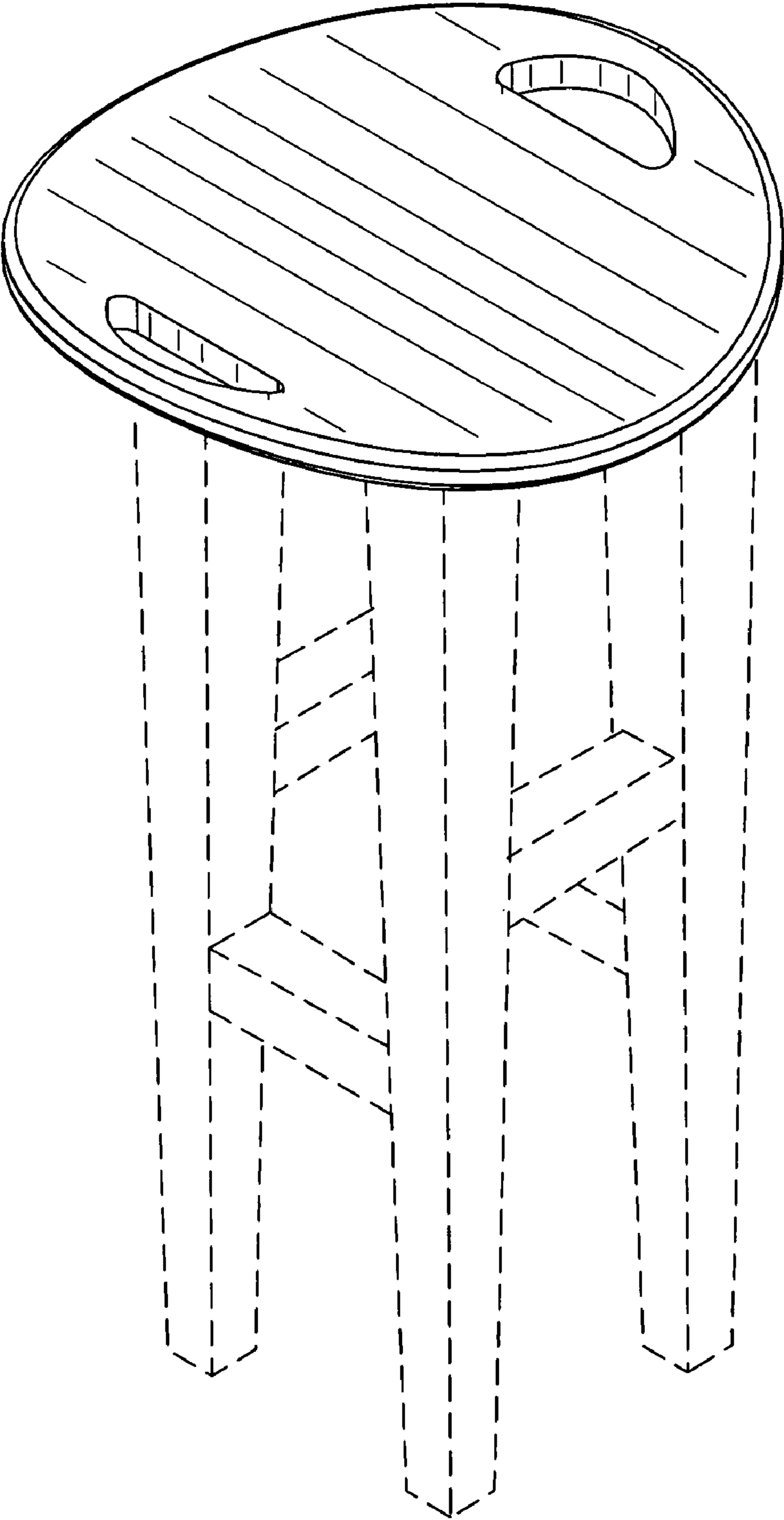


FIG. 6

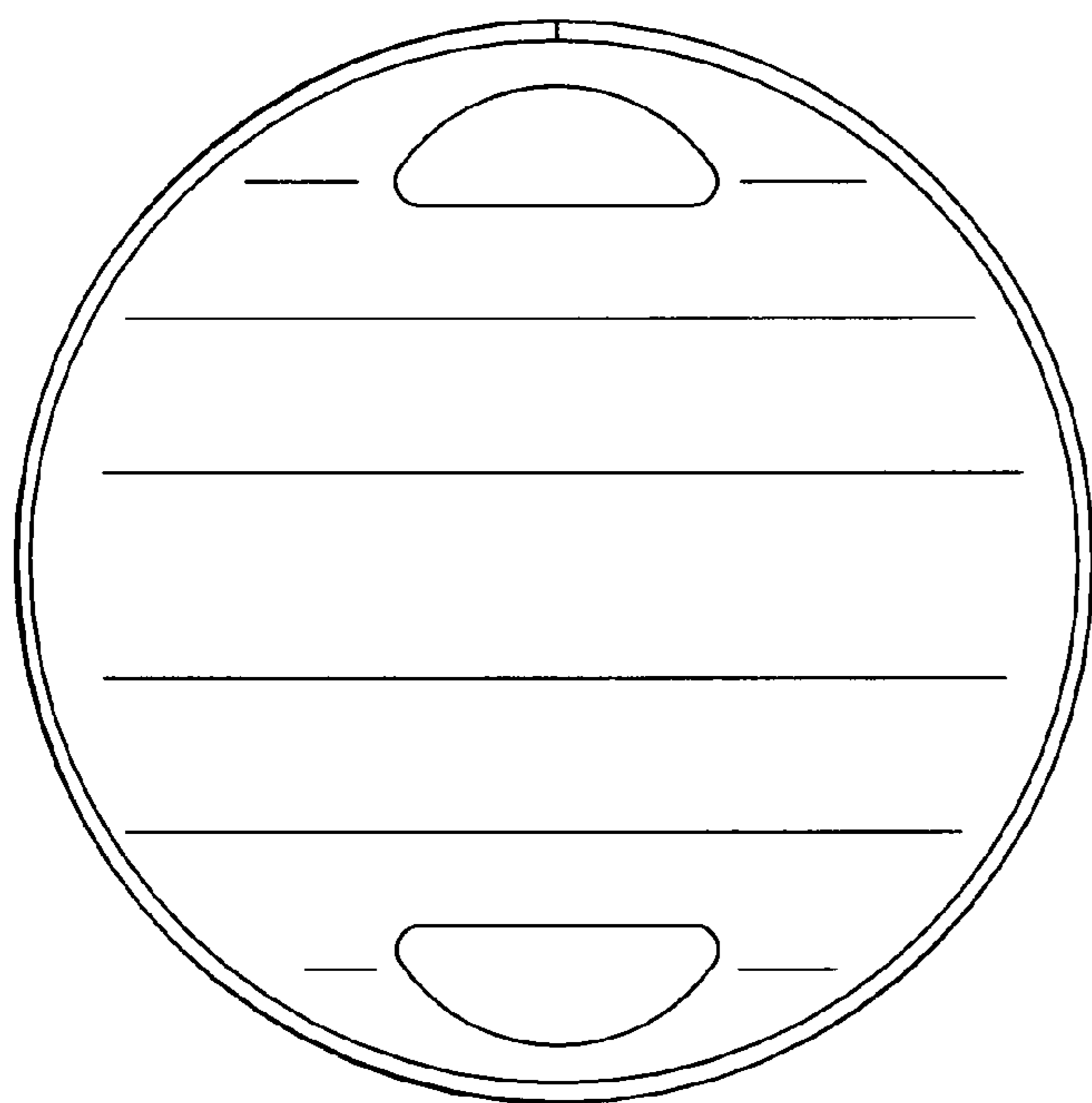


FIG. 7

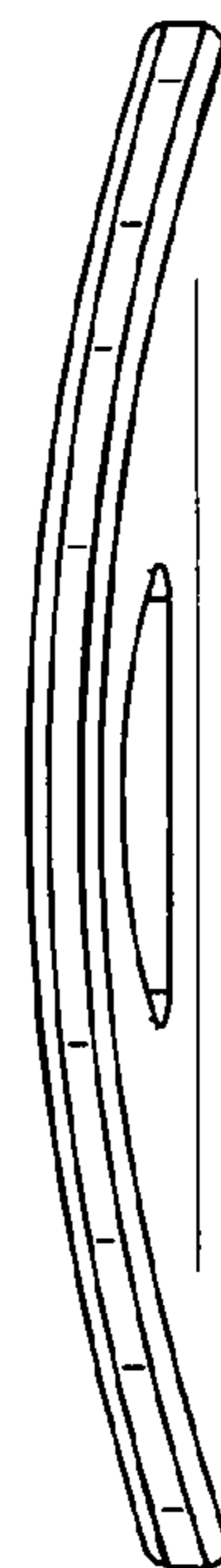


FIG. 9

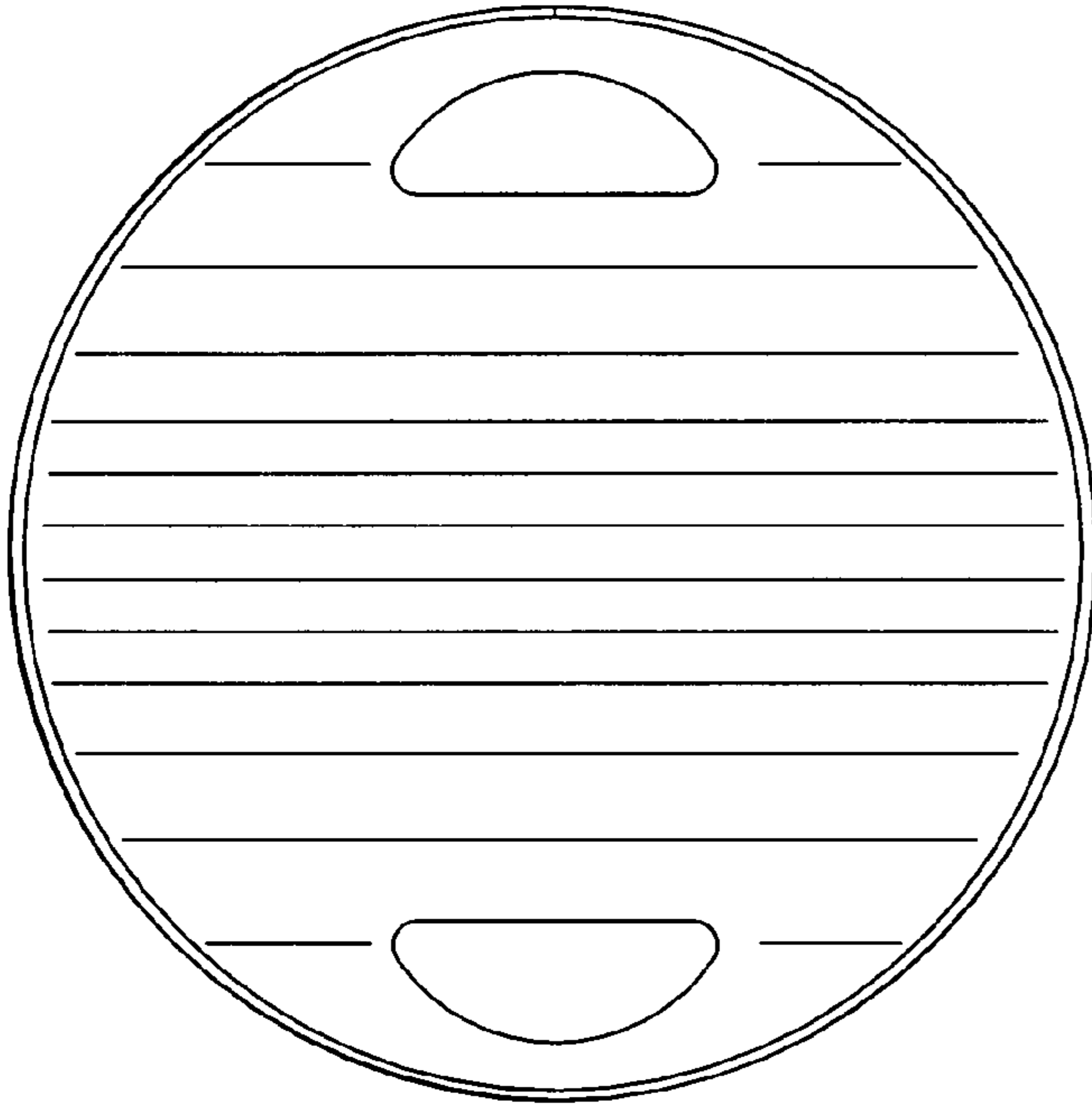


FIG. 8

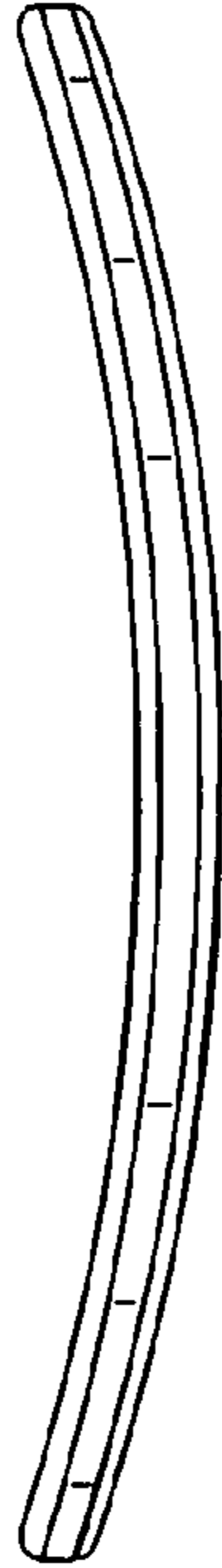


FIG. 10

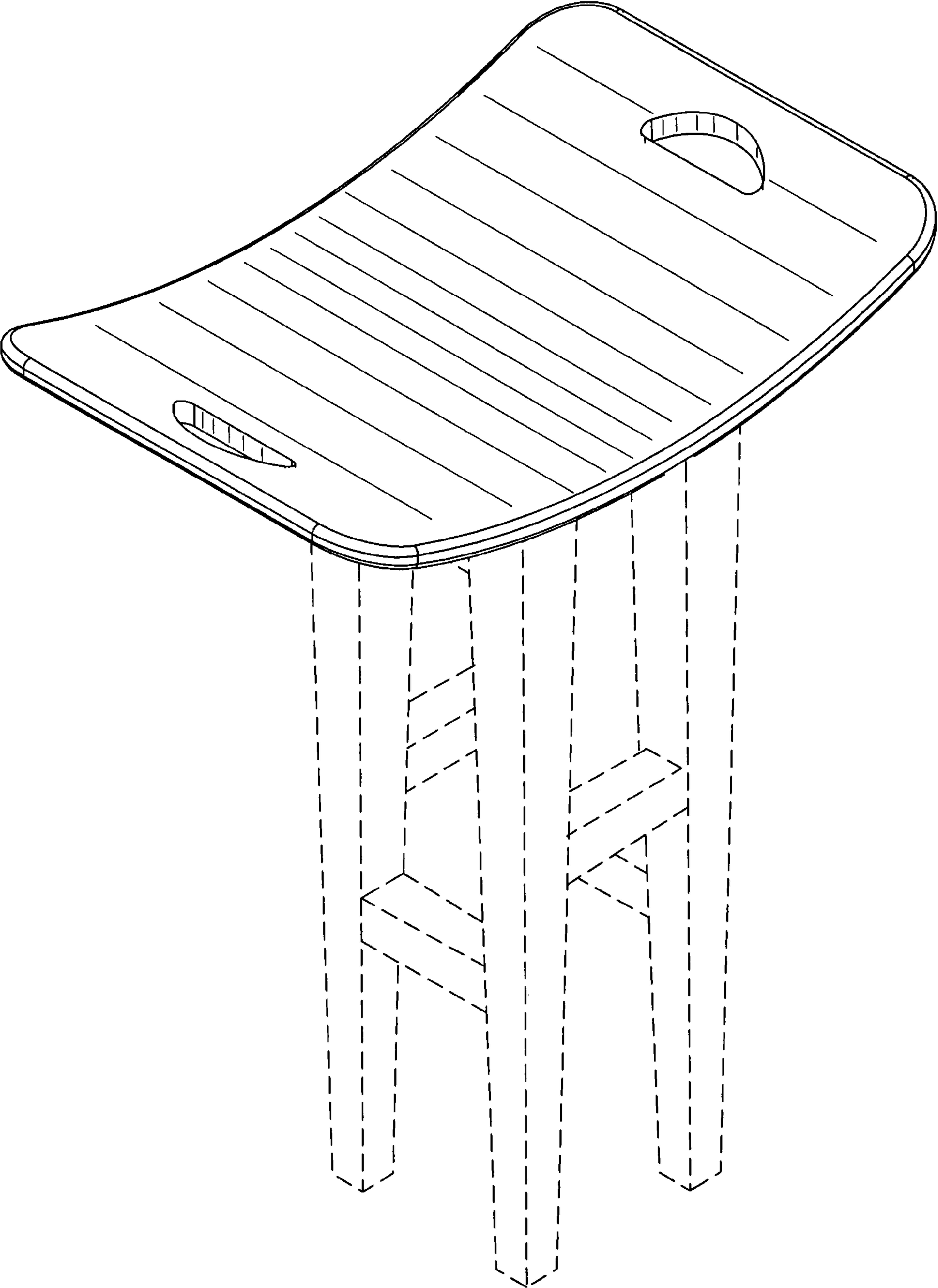


FIG. 11

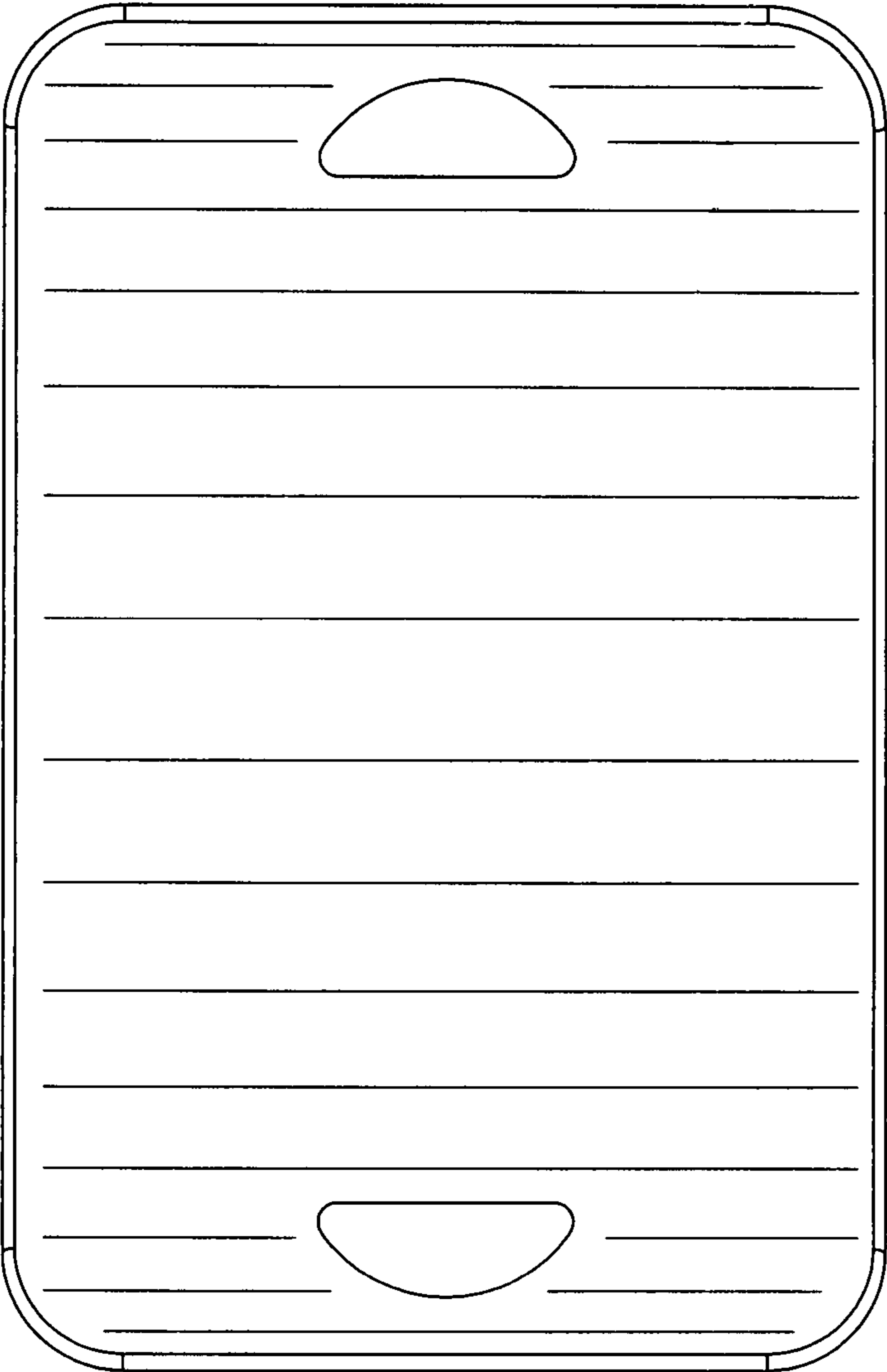


FIG. 12

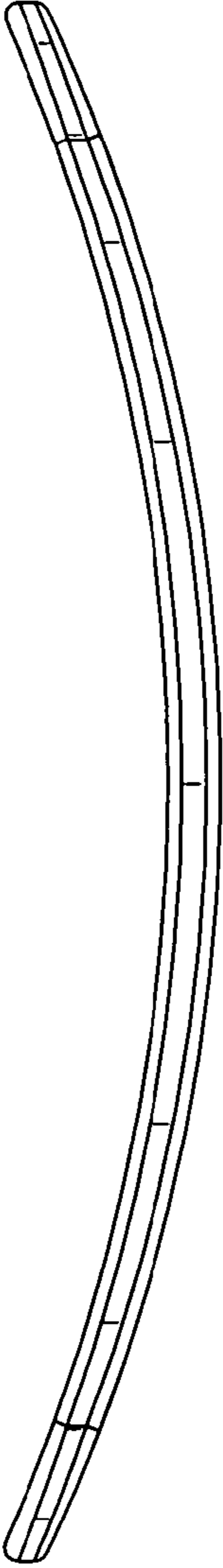


FIG. 15

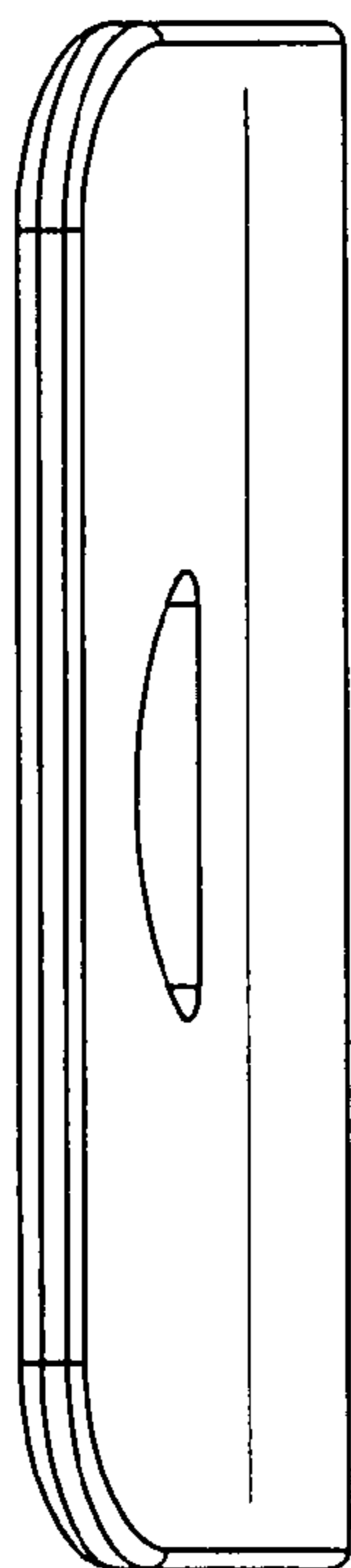


FIG. 14

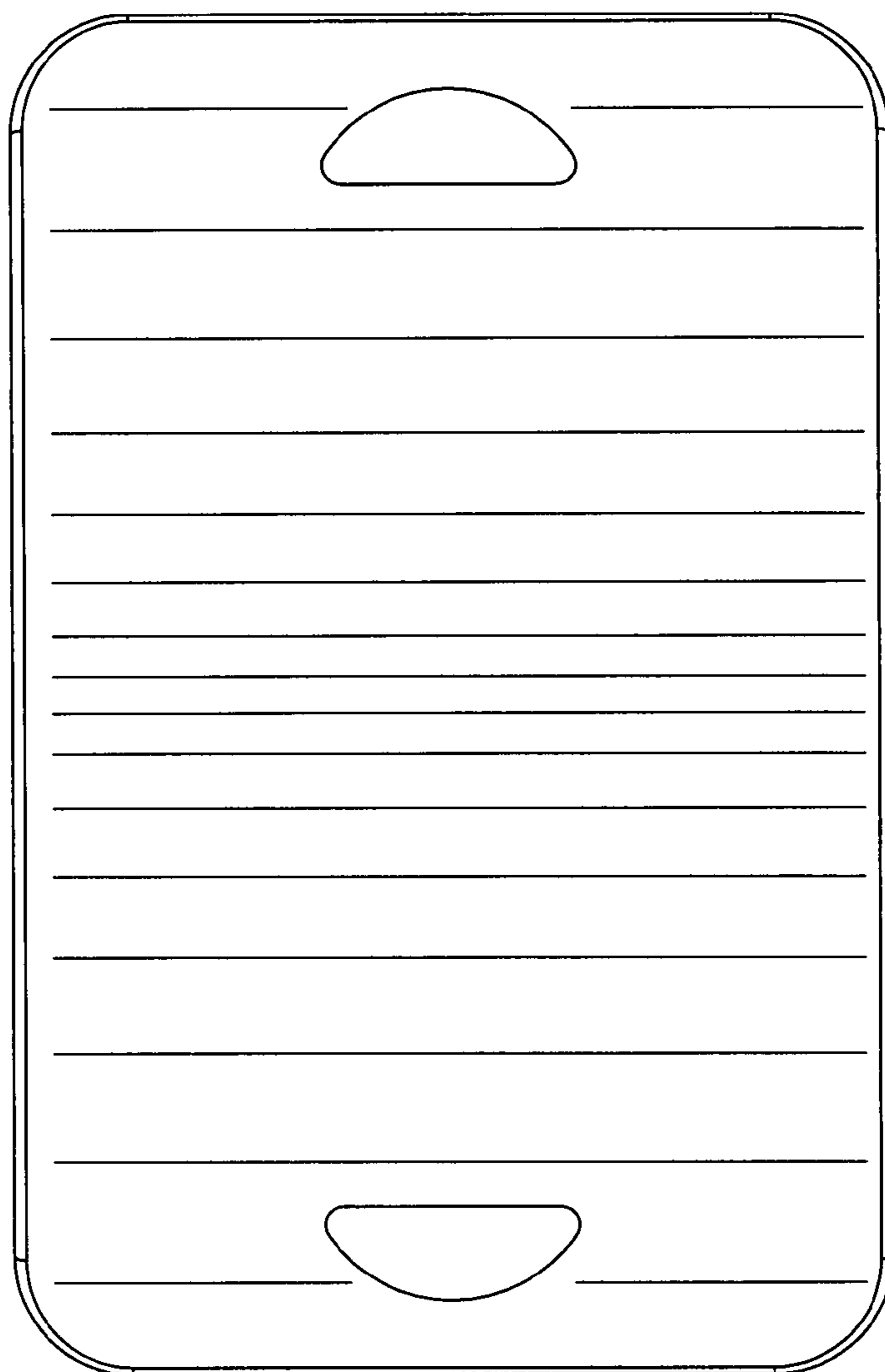


FIG. 13

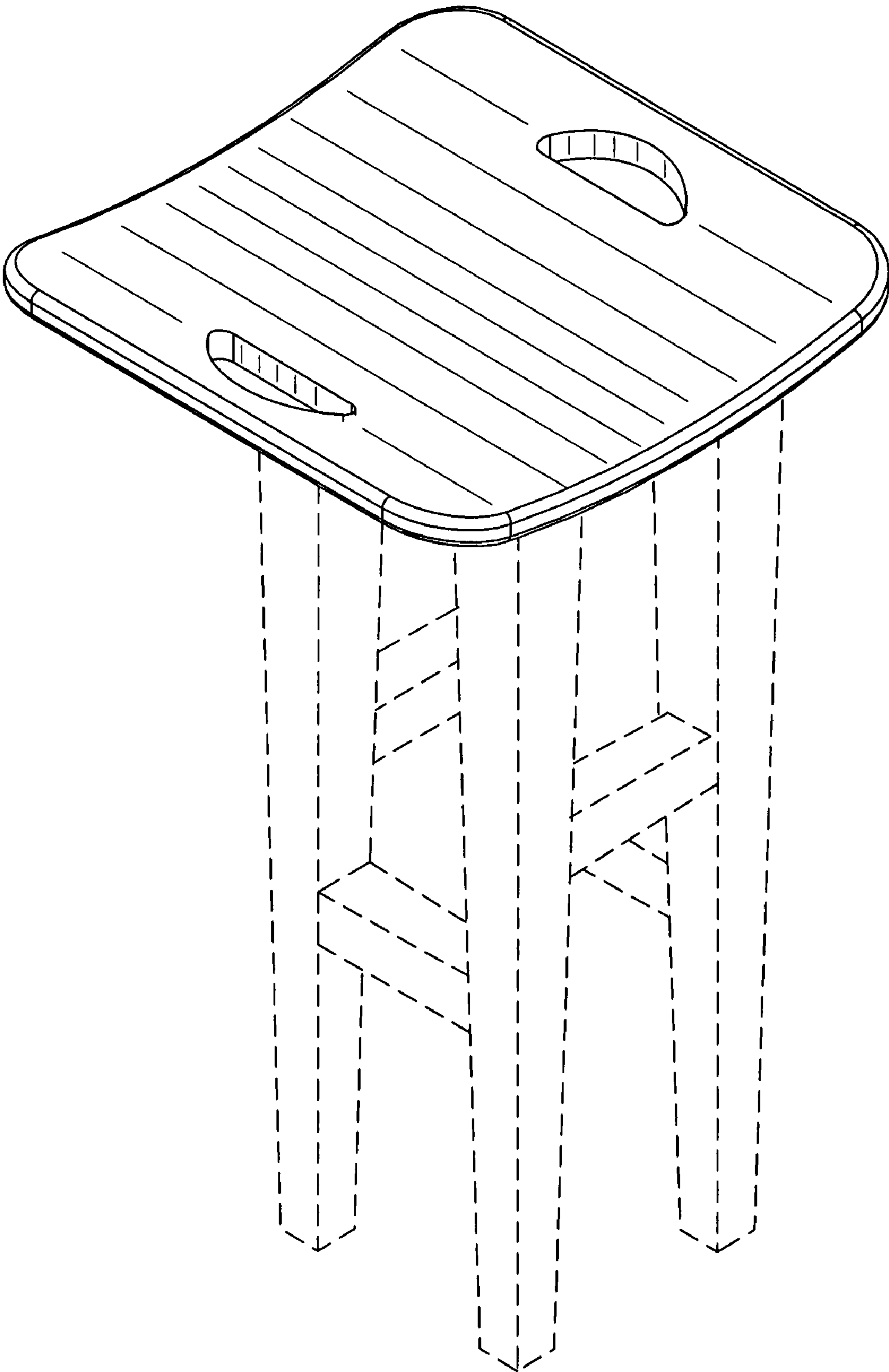


FIG. 16

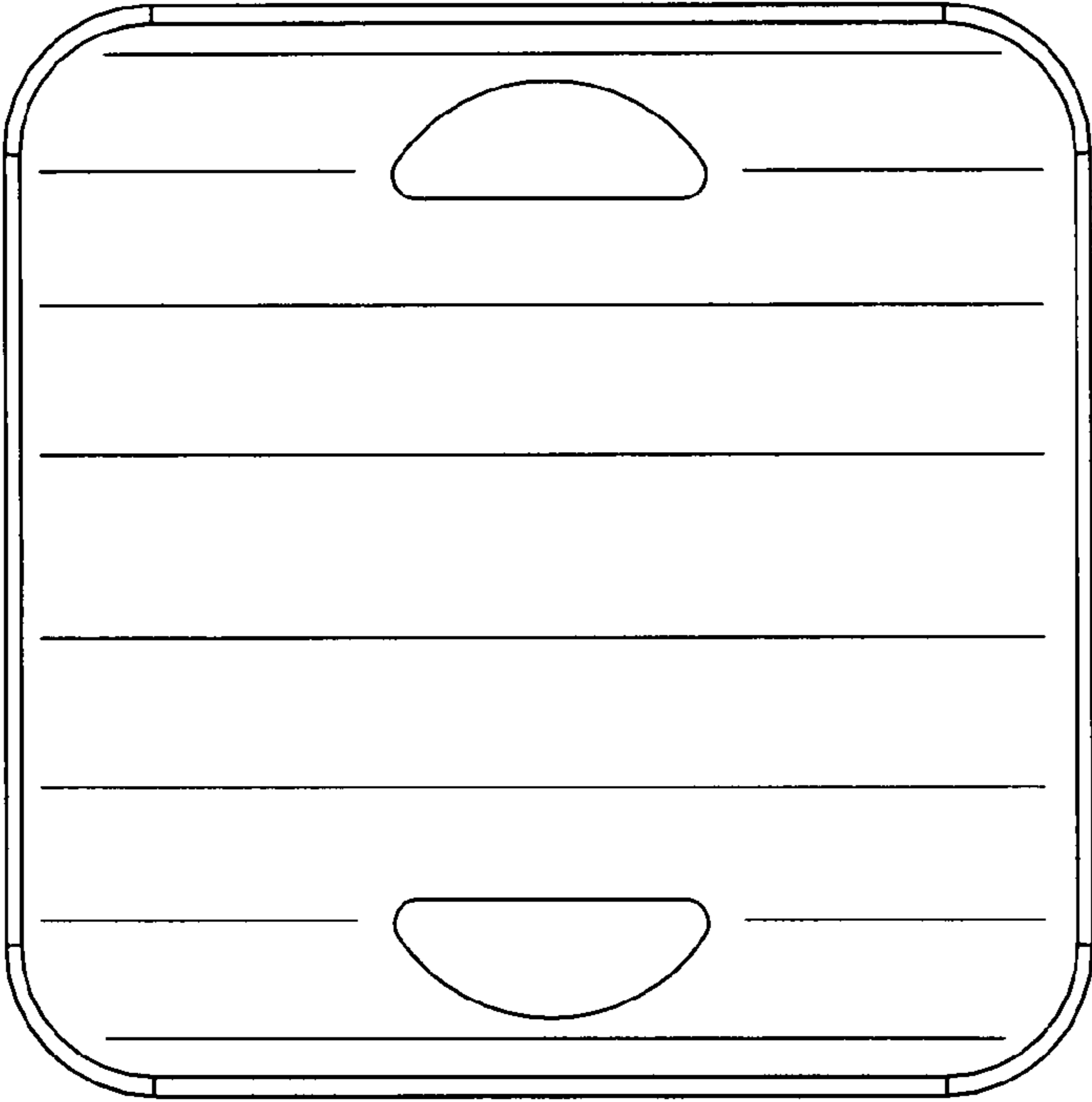


FIG. 17

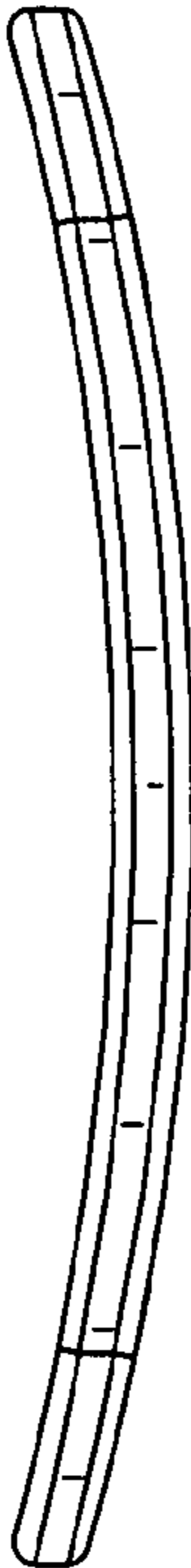


FIG. 20

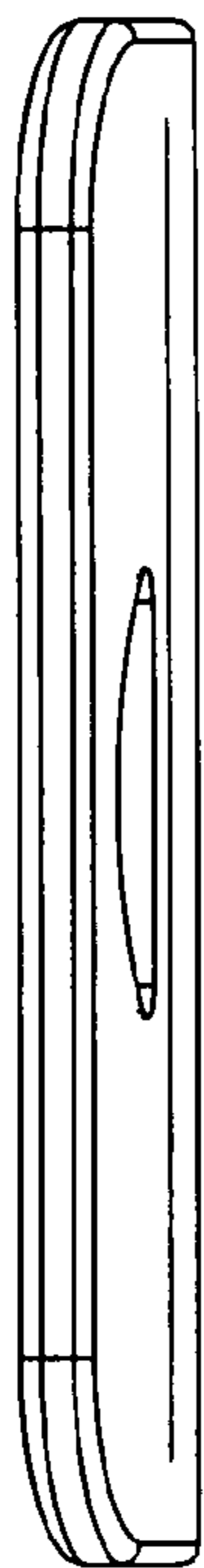


FIG. 19

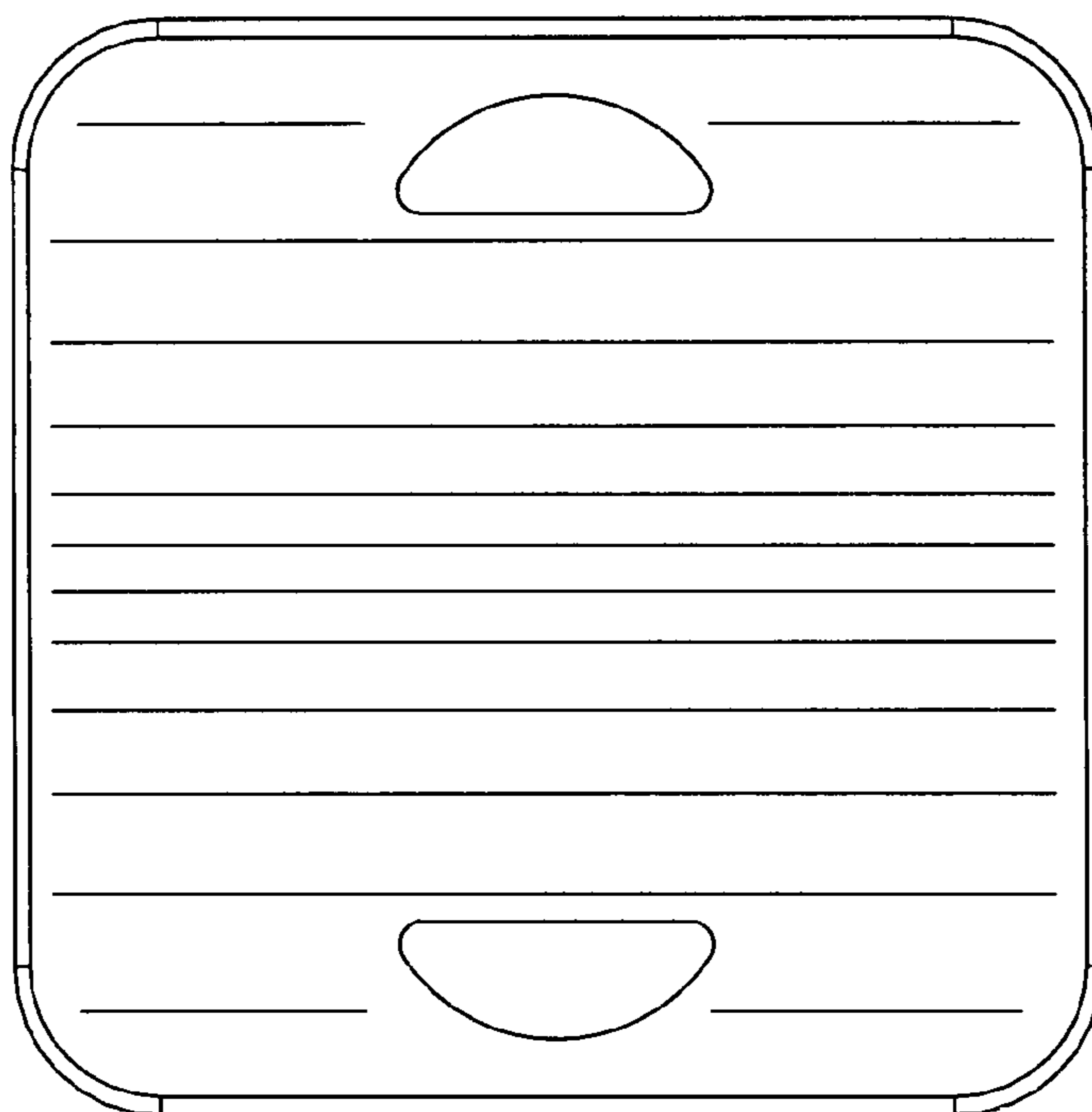


FIG. 18