



US00D601823S

(12) **United States Design Patent**  
**Skalka**

(10) **Patent No.:** **US D601,823 S**  
(45) **Date of Patent:** **\*\* Oct. 13, 2009**

(54) **BENCH**  
(75) Inventor: **Gerald P. Skalka**, Potomac, MD (US)  
(73) Assignee: **Victor Stanley, Inc.**, Dunkirk, MD (US)  
(\*\*) Term: **14 Years**  
(21) Appl. No.: **29/311,407**  
(22) Filed: **Mar. 6, 2009**

D530,535 S 10/2006 Skalka  
D532,620 S 11/2006 Skalka  
D563,689 S \* 3/2008 Skalka ..... D6/381  
D578,808 S \* 10/2008 Pappas ..... D6/495  
D579,227 S 10/2008 Skalka  
D579,684 S \* 11/2008 Skalka ..... D6/381  
D579,685 S 11/2008 Skalka  
D585,209 S \* 1/2009 Skalka ..... D6/381  
D585,220 S 1/2009 Skalka

(51) **LOC (9) Cl.** ..... **06-01**  
(52) **U.S. Cl.** ..... **D6/381**  
(58) **Field of Classification Search** ..... D6/334,  
D6/339, 355, 364, 370, 374, 378, 381, 382,  
D6/383, 491, 495, 500-503; 297/68, 232,  
297/233, 353, 445.1, 448.1, 448.2, DIG. 7;  
5/12.1, 12.2

See application file for complete search history.

(56) **References Cited**

**U.S. PATENT DOCUMENTS**

D376,271 S 12/1996 Skalka  
D376,937 S 12/1996 Skalka  
D383,615 S 9/1997 Skalka  
D384,512 S 10/1997 Skalka  
D386,012 S 11/1997 Skalka  
D419,341 S \* 1/2000 Chipman ..... D6/492  
D482,885 S \* 12/2003 Chipman ..... D6/370  
D498,079 S \* 11/2004 Messier ..... D6/381  
D523,263 S 6/2006 Skalka  
D526,805 S \* 8/2006 Skalka ..... D6/381  
D528,831 S 9/2006 Rizzi

\* cited by examiner

*Primary Examiner*—Sandra Snapp

(74) *Attorney, Agent, or Firm*—Jacobson Holman PLLC

(57) **CLAIM**

The ornamental design for a bench, as shown and described.

**DESCRIPTION**

FIG. 1 is an isometric view of a first embodiment of a bench showing my new design.

FIG. 2 is a right side elevational view of the bench of FIG. 1, the left side elevational view being a mirror image thereof.

FIG. 3 is a top plan view of the bench of FIG. 1.

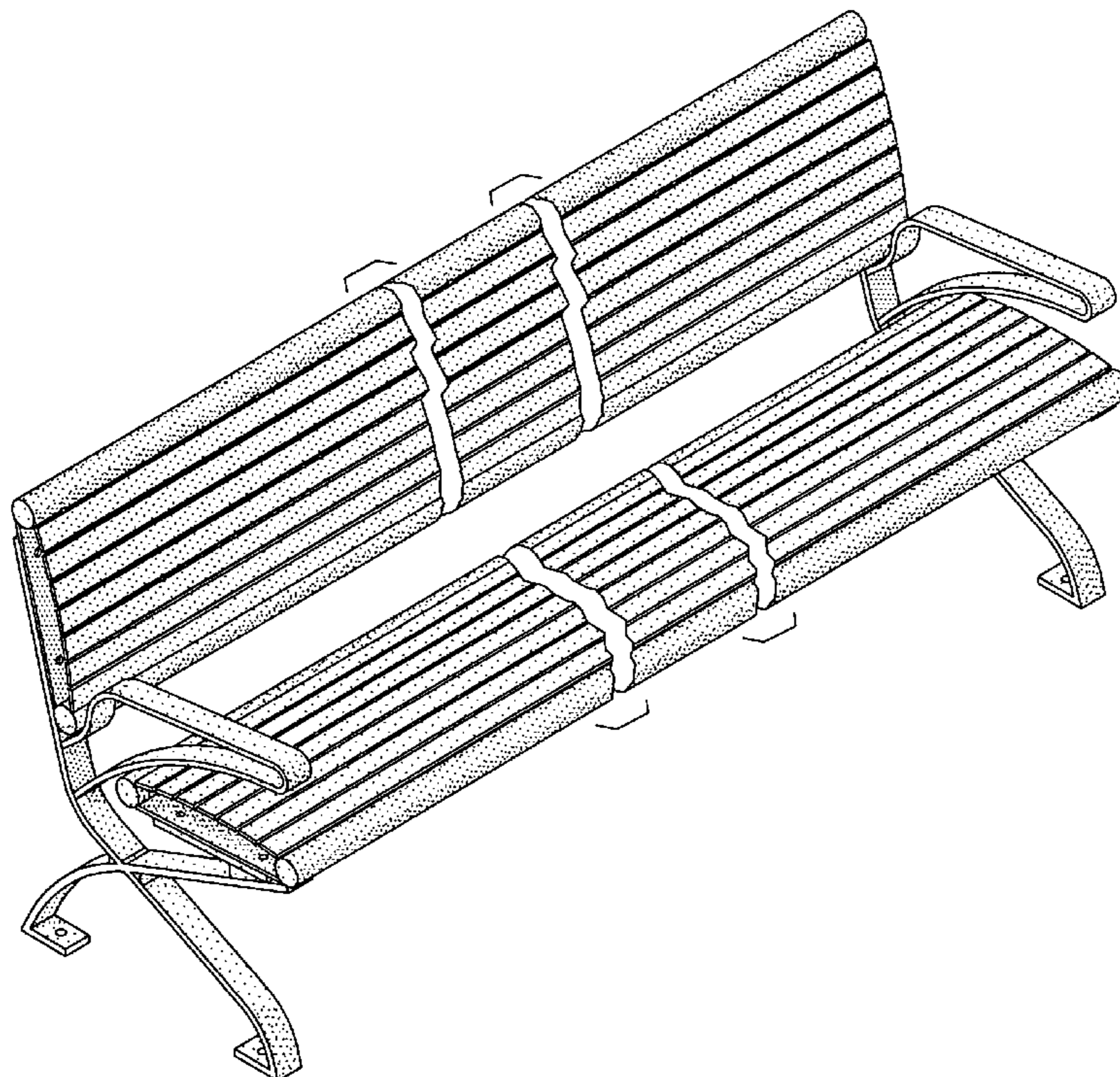
FIG. 4 is a front elevational view of the bench of FIG. 1.

FIG. 5 is a rear elevational view of the bench of FIG. 1; and,

FIG. 6 is a bottom plan view of the bench of FIG. 1.

The bench is shown broken-away transversely in the various views to indicate that a specific length forms no part of the claimed design.

**1 Claim, 3 Drawing Sheets**



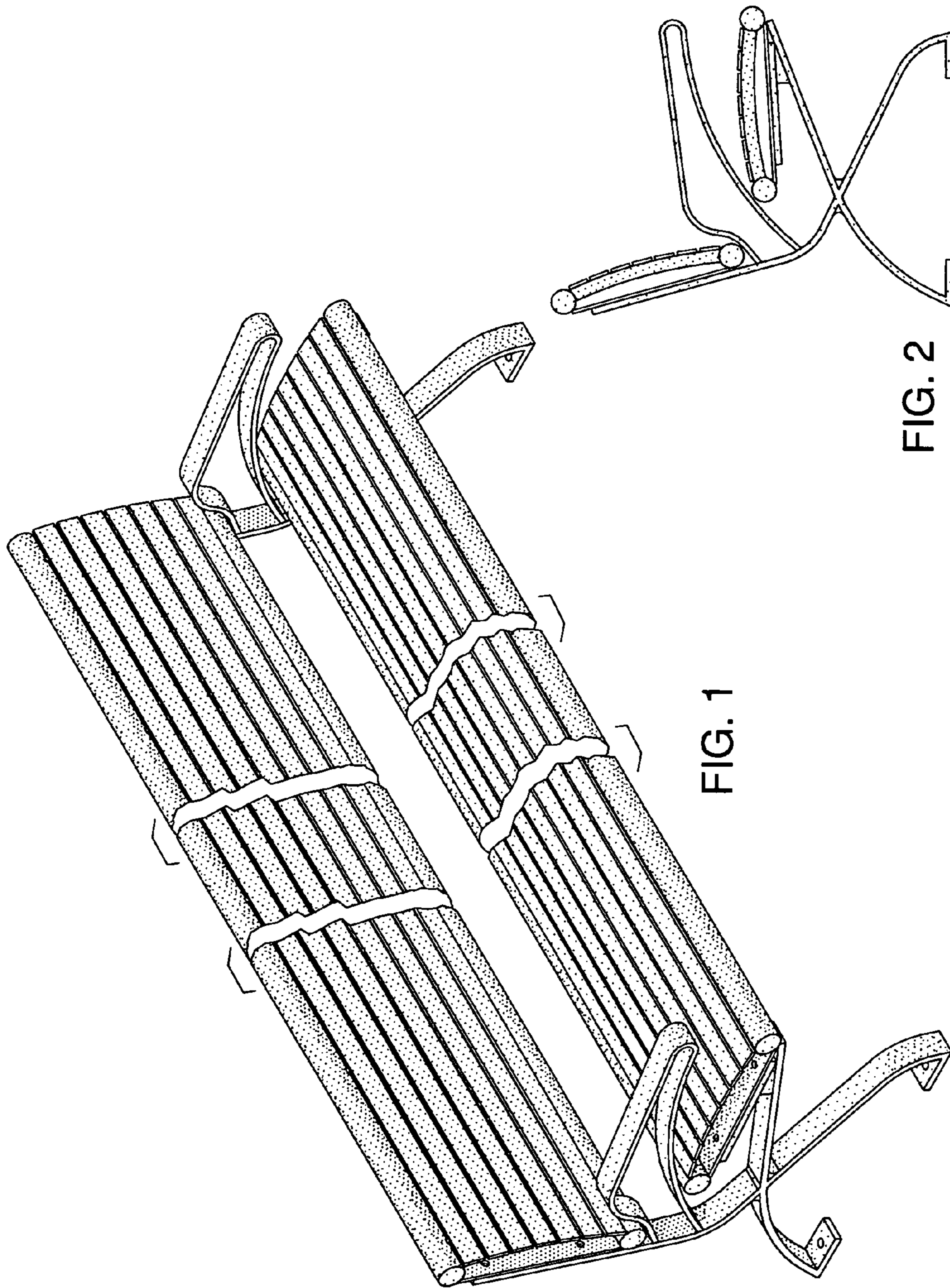


FIG. 1

FIG. 2

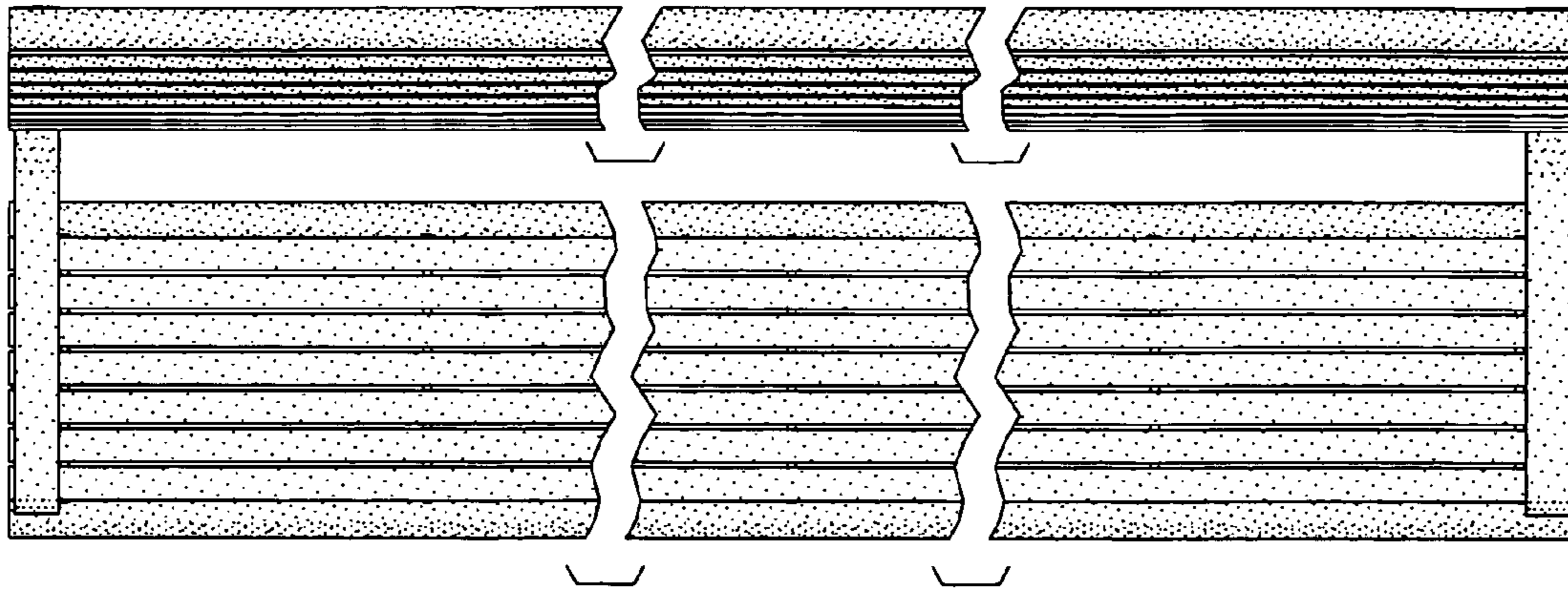


FIG. 3

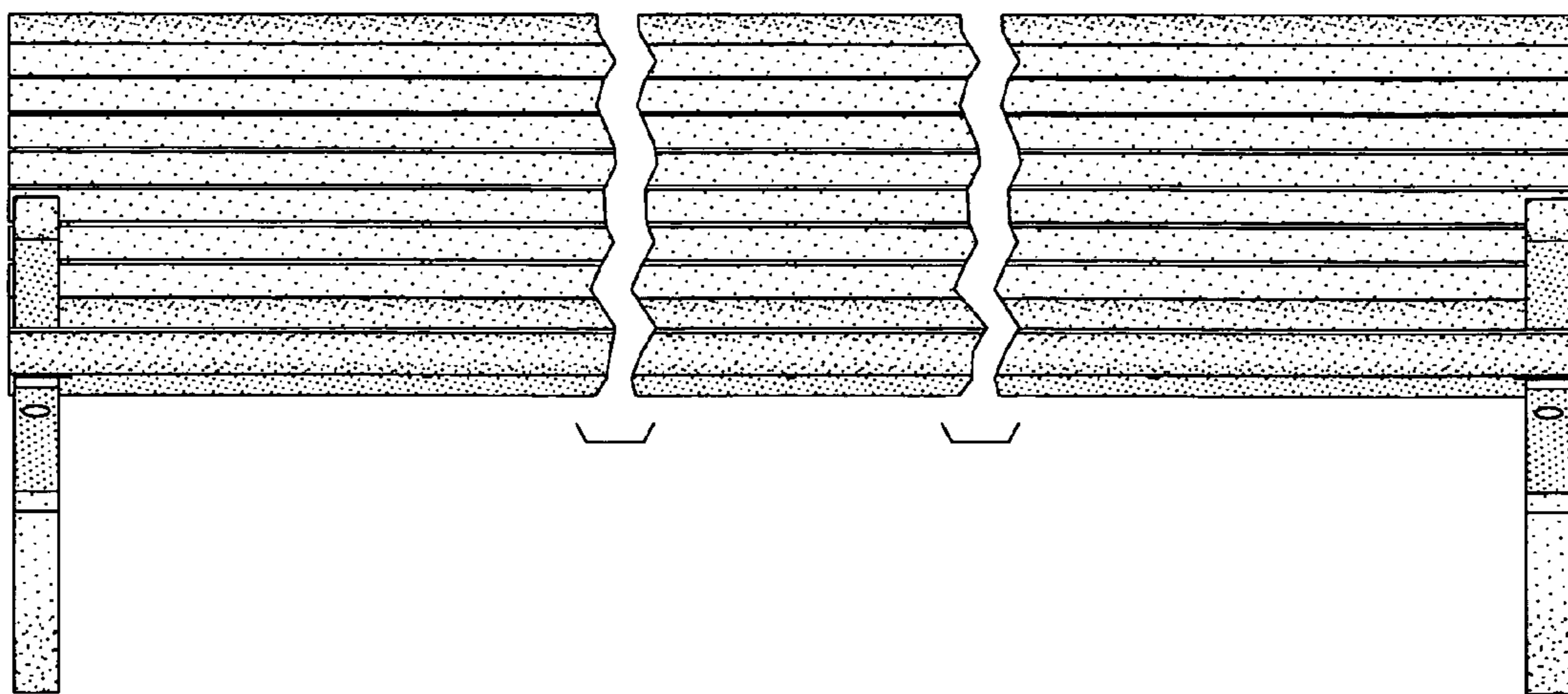


FIG. 4

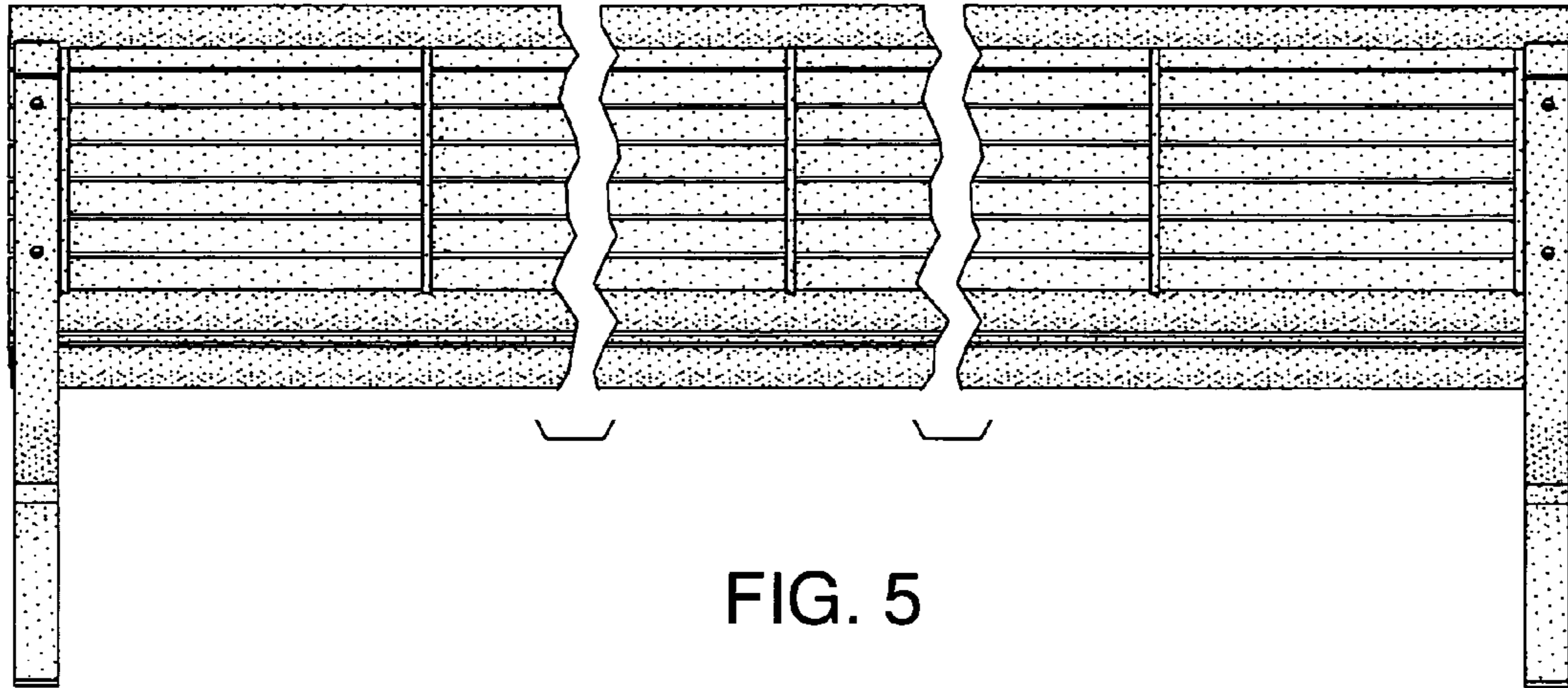


FIG. 5

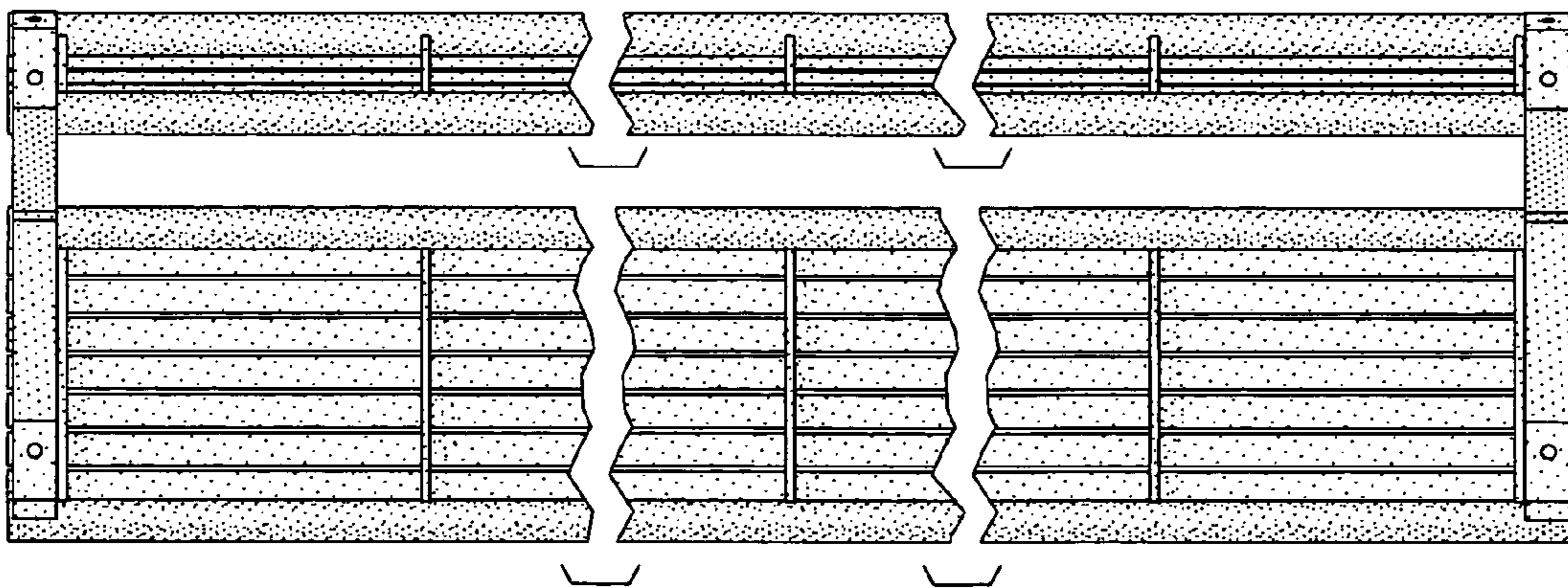


FIG. 6