



US00D601821S

(12) **United States Design Patent**
Domack et al.

(10) **Patent No.:** **US D601,821 S**
(45) **Date of Patent:** **** Oct. 13, 2009**

(54) **CHAIR**

(75) Inventors: **Randy D. Domack**, Trempealeau, WI (US); **Terry A. Everson**, Blair, WI (US)

(73) Assignee: **Ashley Furniture Industries, Inc.**, Arcadia, WI (US)

(**) Term: **14 Years**

(21) Appl. No.: **29/312,111**

(22) Filed: **Sep. 30, 2008**

(51) **LOC (9) Cl.** **06-01**

(52) **U.S. Cl.** **D6/379; D6/380**

(58) **Field of Classification Search** D6/334–336,
D6/358, 369, 370, 374, 379, 380, 500–502;
297/411.28, 445.1, 446.1

See application file for complete search history.

(56) **References Cited**

U.S. PATENT DOCUMENTS

D233,099 S *	10/1974	Ohnishi	D6/380
D351,511 S *	10/1994	Ferguson	D6/379
D364,046 S *	11/1995	Keller	D6/379
D396,367 S	7/1998	Swy		
D413,739 S	9/1999	Wilson		
D441,558 S	5/2001	Vaaler		
D445,583 S *	7/2001	O'Hare et al.	D6/379

(Continued)

OTHER PUBLICATIONS

Sutcliffe D487-35-01-01A-80-81 Ashley Catalog vol. 5, Series 1, Spring 2003, p. 318.

Argilla D489-35-01-01A-80-81 Ashley Catalog vol. 5, Series 1, Spring 2003, p. 323.

Hampton Manor D67-50TB-06-06A-72-73 Ashley Catalog vol. 5, Series 1, Spring 2003, p. 121.

Pheasant Run B452-04A Ashley Catalog vol. 7, Series 1, Spring 2005, p. 459.

Thomasville Furniture, Victoria Chair, prior to Sep. 30, 2008.

Unknown Dining Chair, prior to Sep. 30, 2008.

Henredon Furniture photograph, prior to Sep. 30, 2008.

Primary Examiner—Mimosa De

(74) *Attorney, Agent, or Firm*—Patterson, Thuente, Skaar & Christensen, P.A.

(57) **CLAIM**

We claim the ornamental design for a chair, as shown and described.

DESCRIPTION

FIG. 1 is a front corner perspective view of a chair according to a first embodiment of the invention in the form of an arm chair. The view from the adjacent front corner being a mirror image thereof.

FIG. 2 is a front elevational view of a chair according to an embodiment of the invention.

FIG. 3 is a side elevational view of a chair according to an embodiment of the invention. The view from the opposite side being a mirror image thereof.

FIG. 4 is a top plan view of a chair according to an embodiment of the invention.

FIG. 5 is a rear view of a chair according to an embodiment of the invention.

FIG. 6 is a front corner perspective view of a chair according to a second embodiment of the invention in the form of a side chair. The view from the adjacent front corner being a mirror image thereof.

FIG. 7 is a front elevational view of a chair according to an embodiment of the invention.

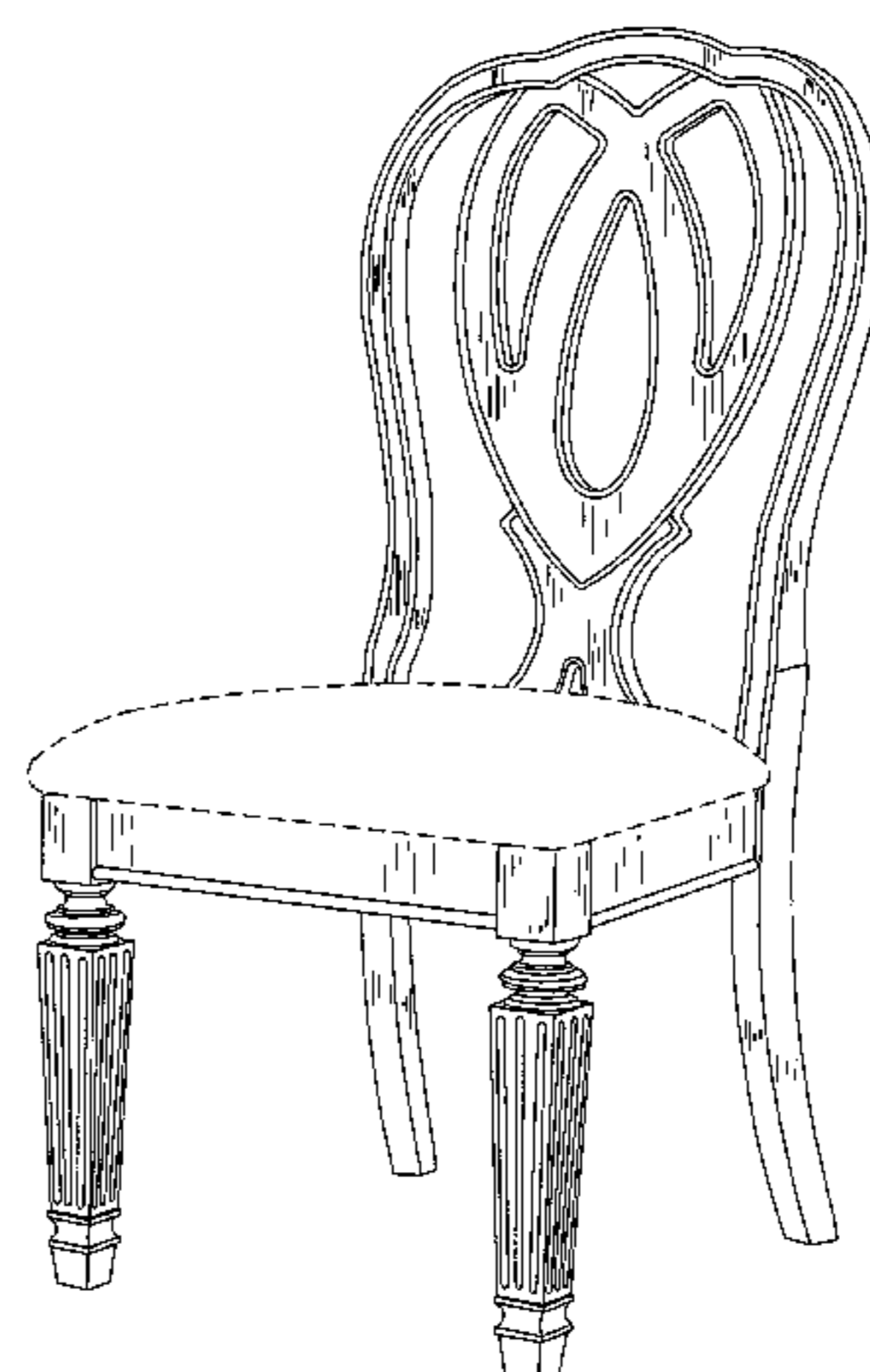
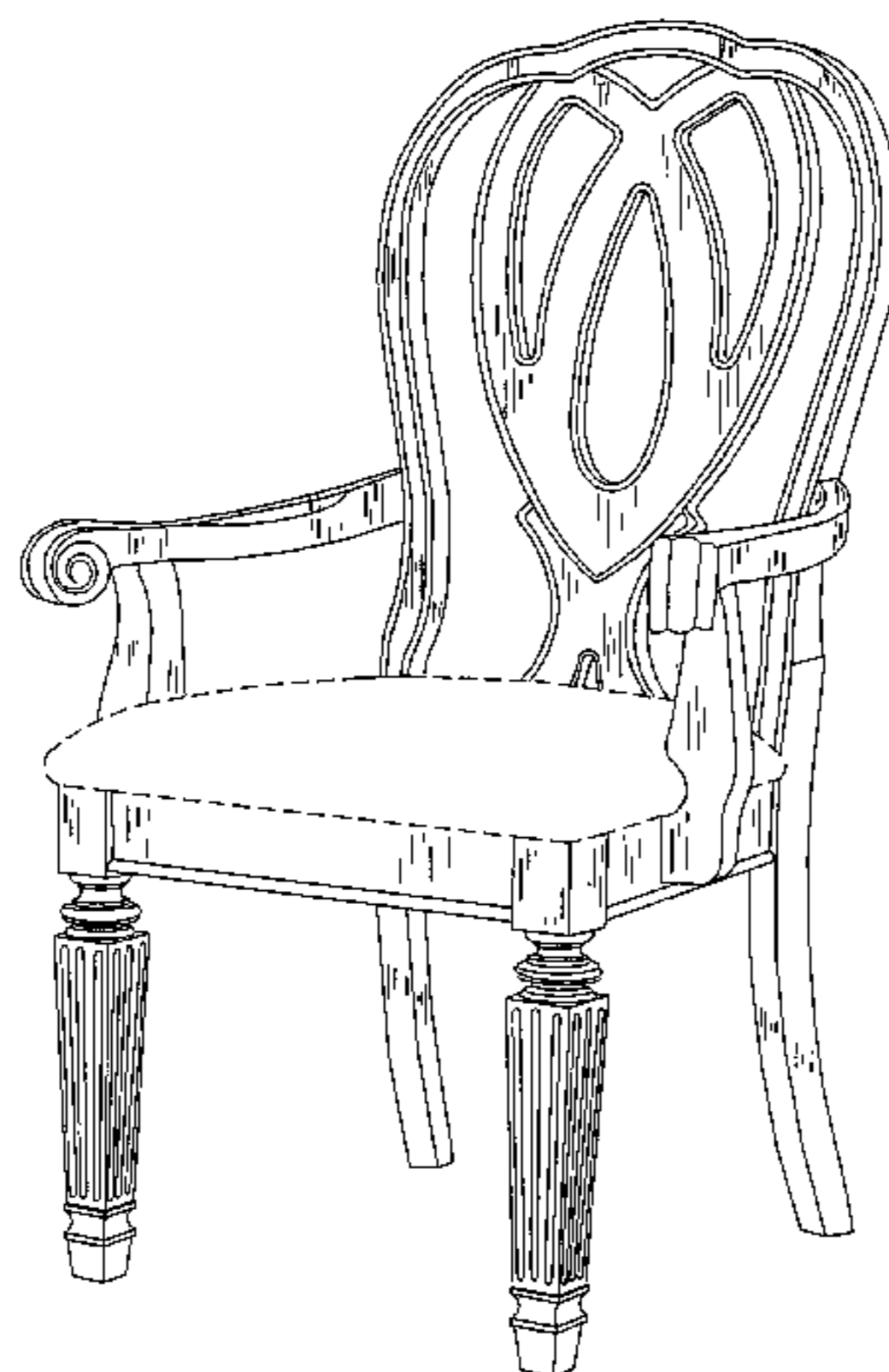
FIG. 8 is a side elevational view of a chair according to an embodiment of the invention. The view from the opposite side being a mirror image thereof.

FIG. 9 is a top plan view of a chair according to an embodiment of the invention; and,

FIG. 10 is a rear view of a chair according to an embodiment of the invention.

The portions of the figures shown in dashed lines are for illustrative purposes only and form no part of the claimed invention.

1 Claim, 10 Drawing Sheets



US D601,821 S

Page 2

U.S. PATENT DOCUMENTS

D448,943 S	*	10/2001	McDaniel et al.	D6/379	D487,990 S		4/2004	Vaaler	
D459,905 S		7/2002	Stanton		D492,853 S	*	7/2004	Schmitt	D6/379
D468,923 S		1/2003	O'Hare		D503,293 S	*	3/2005	Schmitt	D6/379
D468,925 S		1/2003	Vaaler		D513,679 S		1/2006	Paus	
D469,267 S		1/2003	Stanton		D514,346 S		2/2006	O'Hare	
D481,881 S		11/2003	McDaniel et al.		D518,970 S		4/2006	Domack et al.	
					D525,042 S	*	7/2006	Everson et al.	D6/379

* cited by examiner

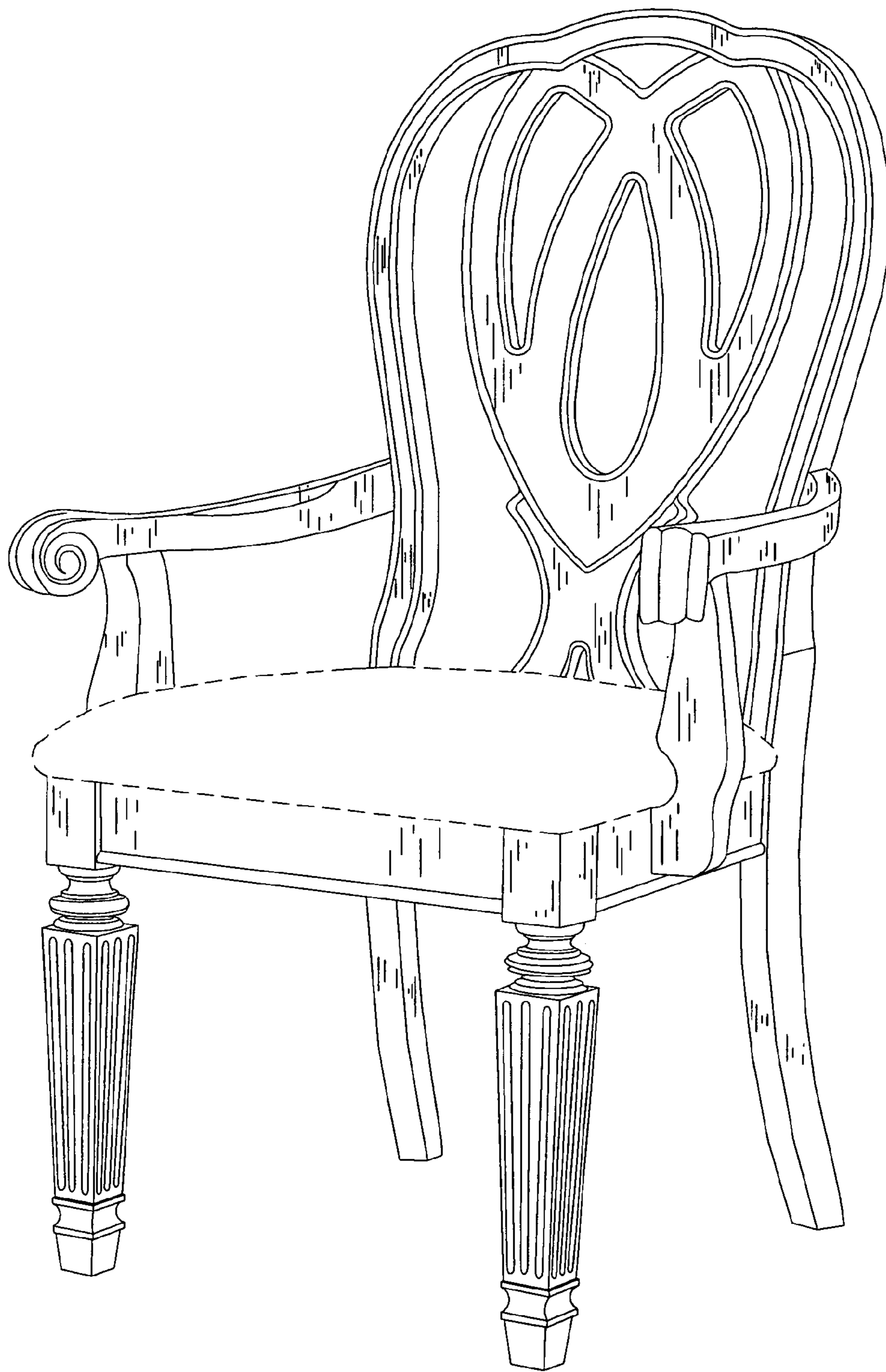


FIG. 1

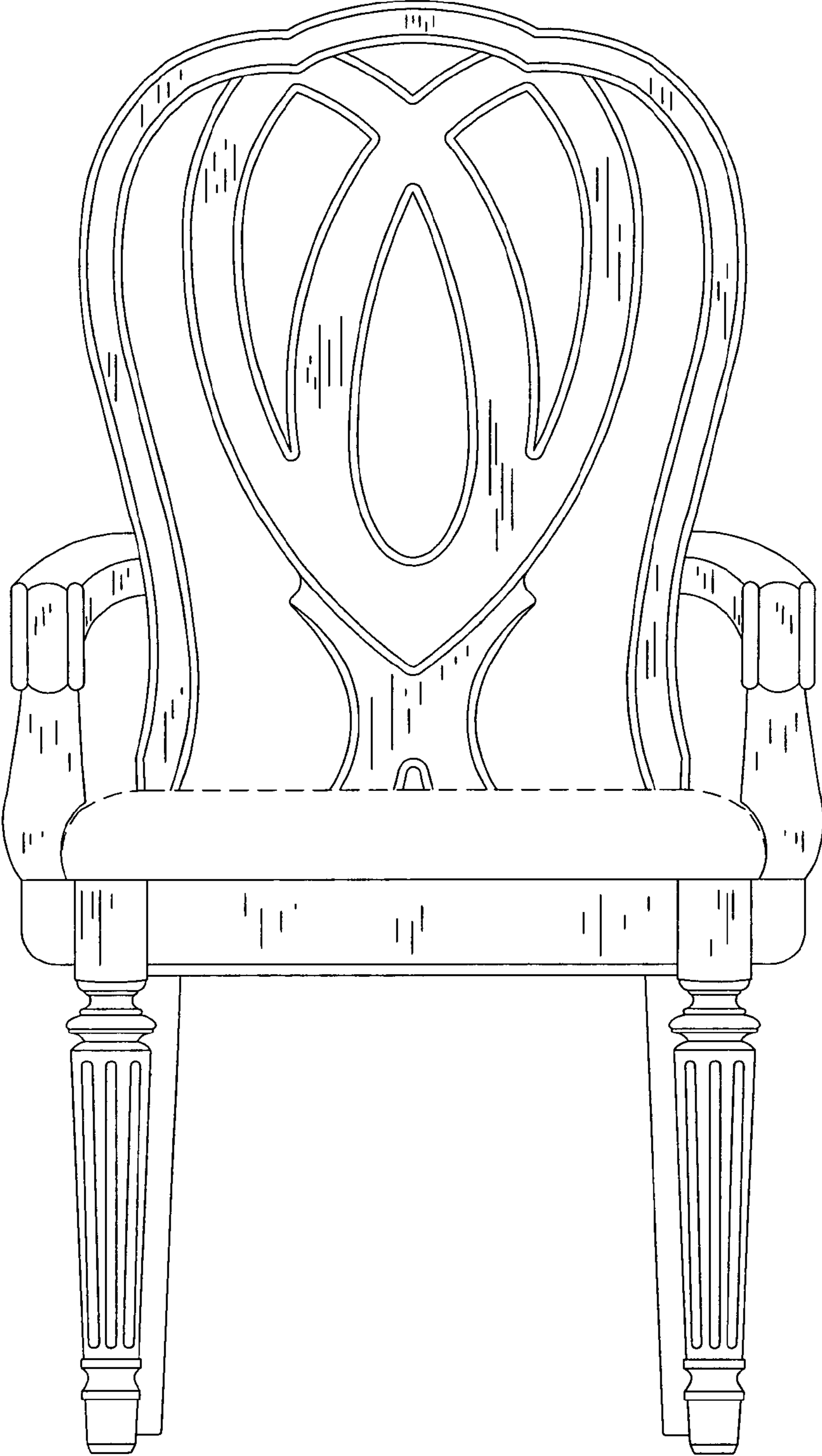


FIG. 2

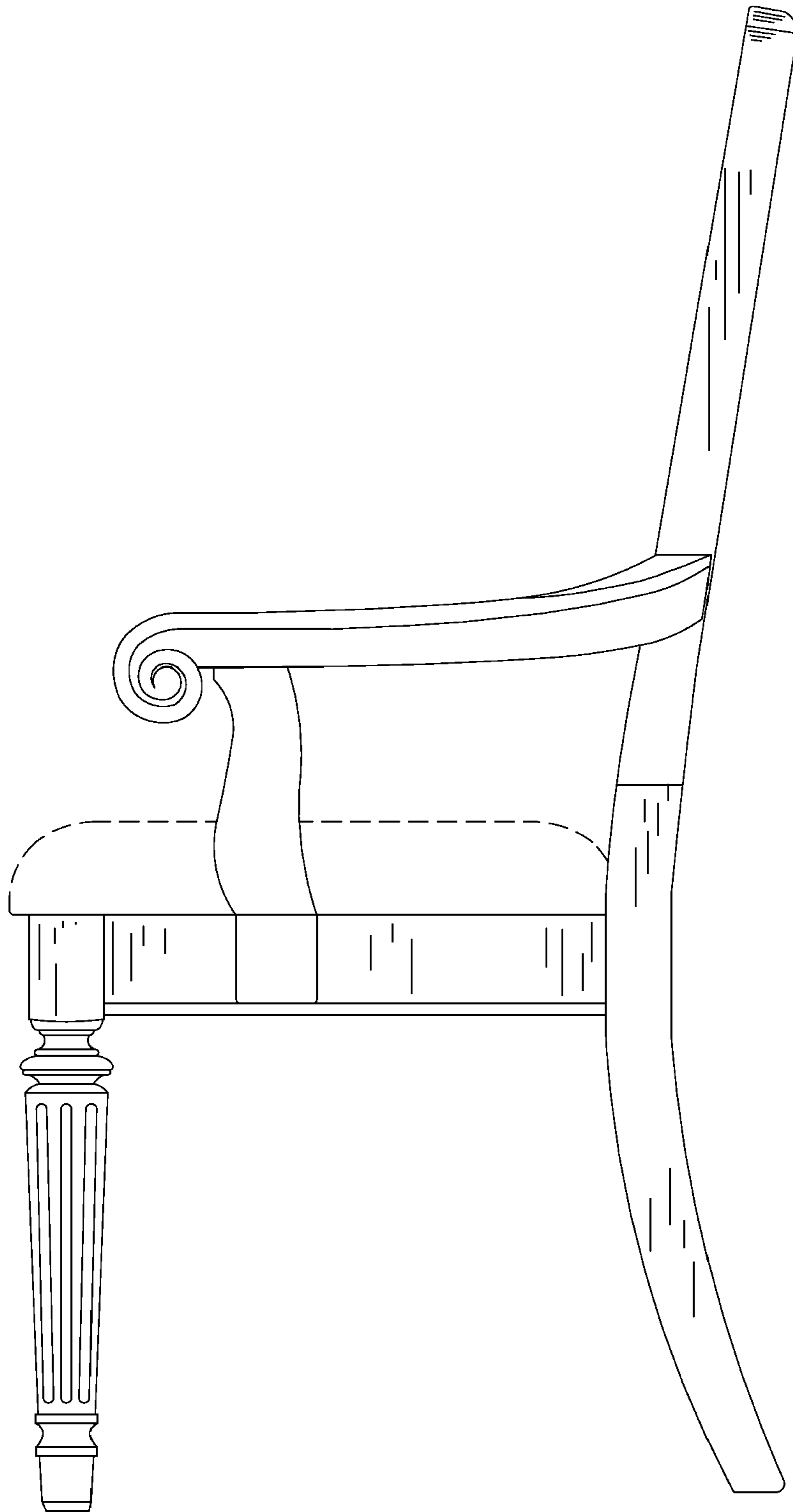


FIG. 3

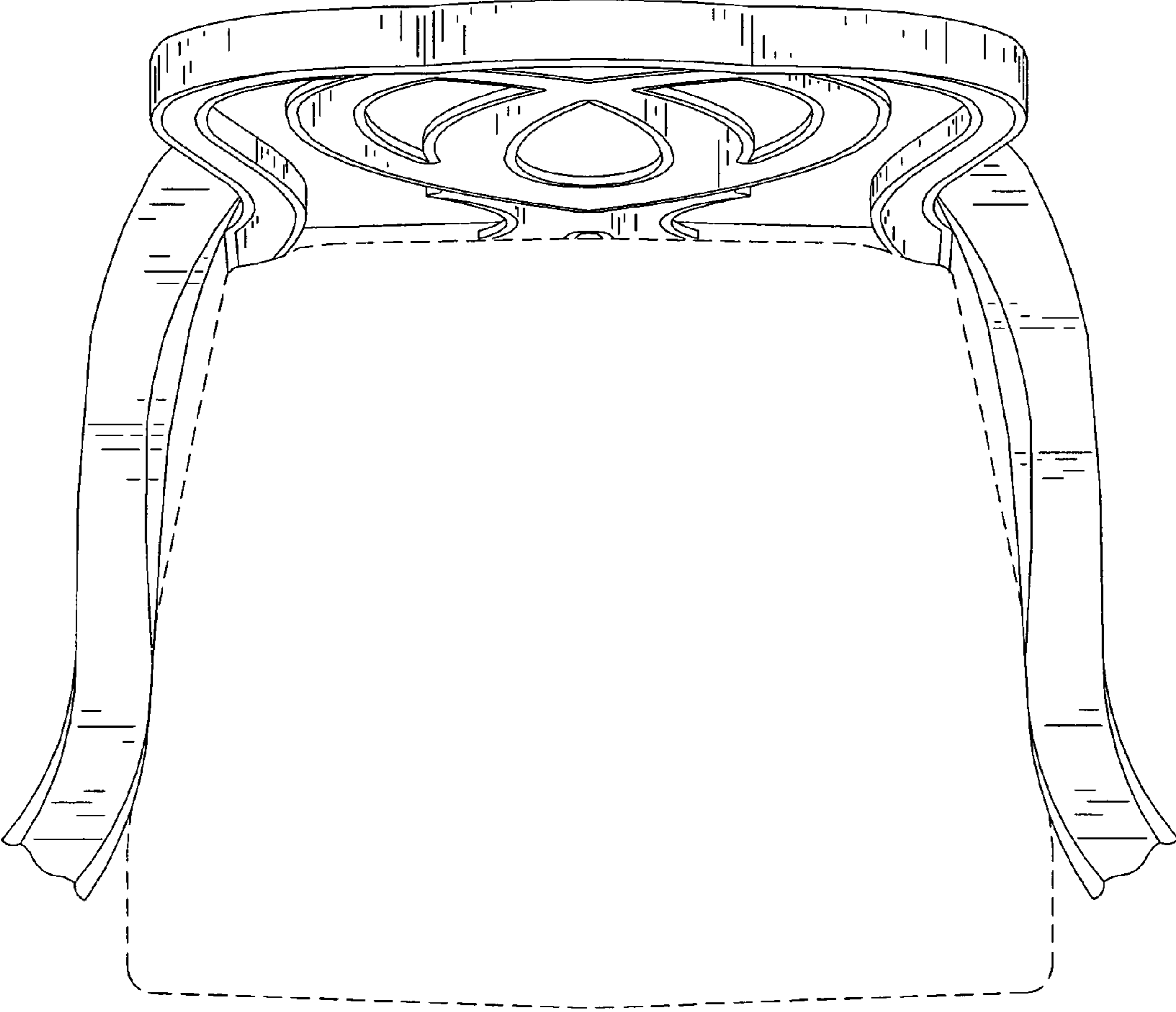


FIG. 4

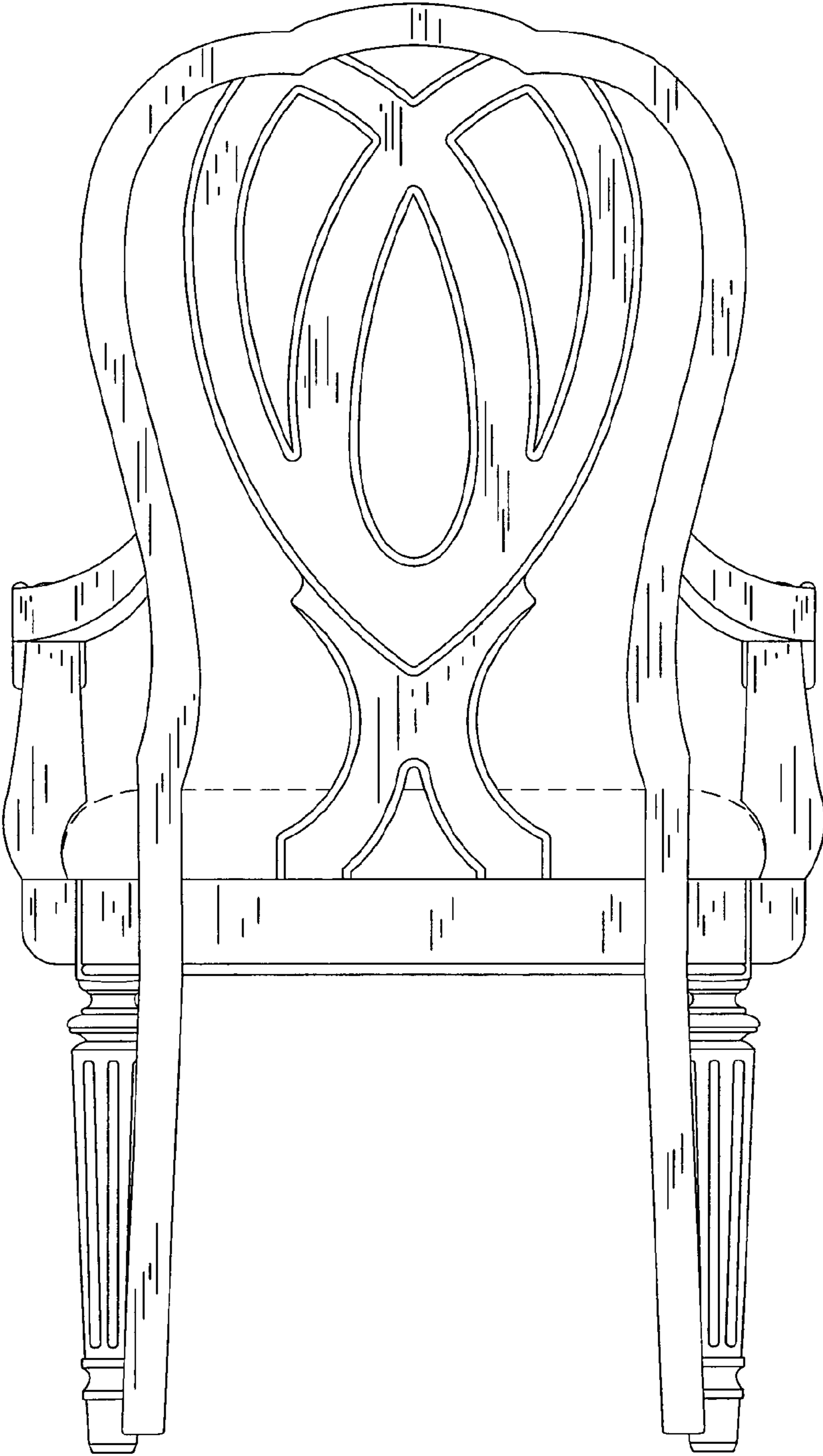


FIG. 5

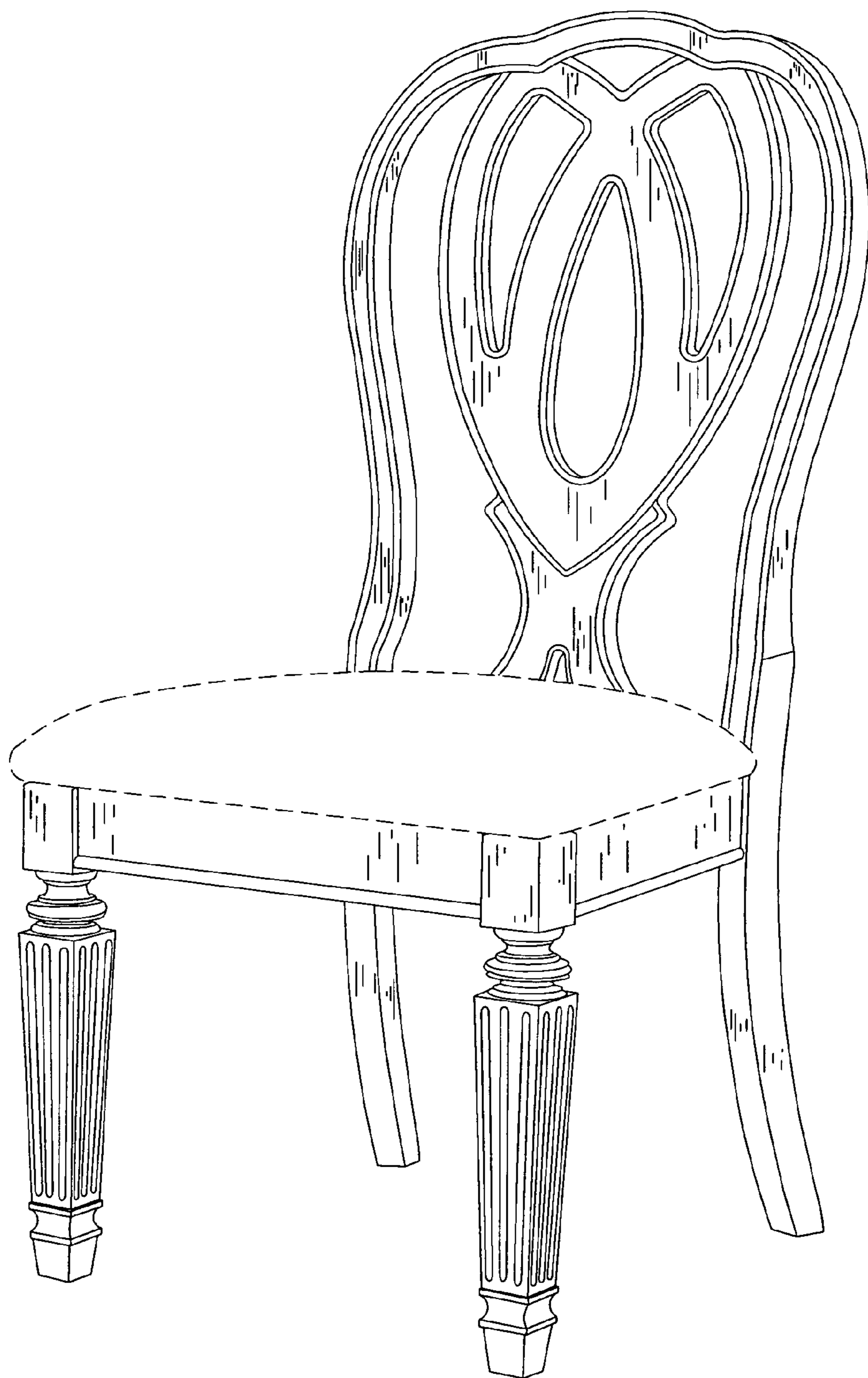


FIG. 6

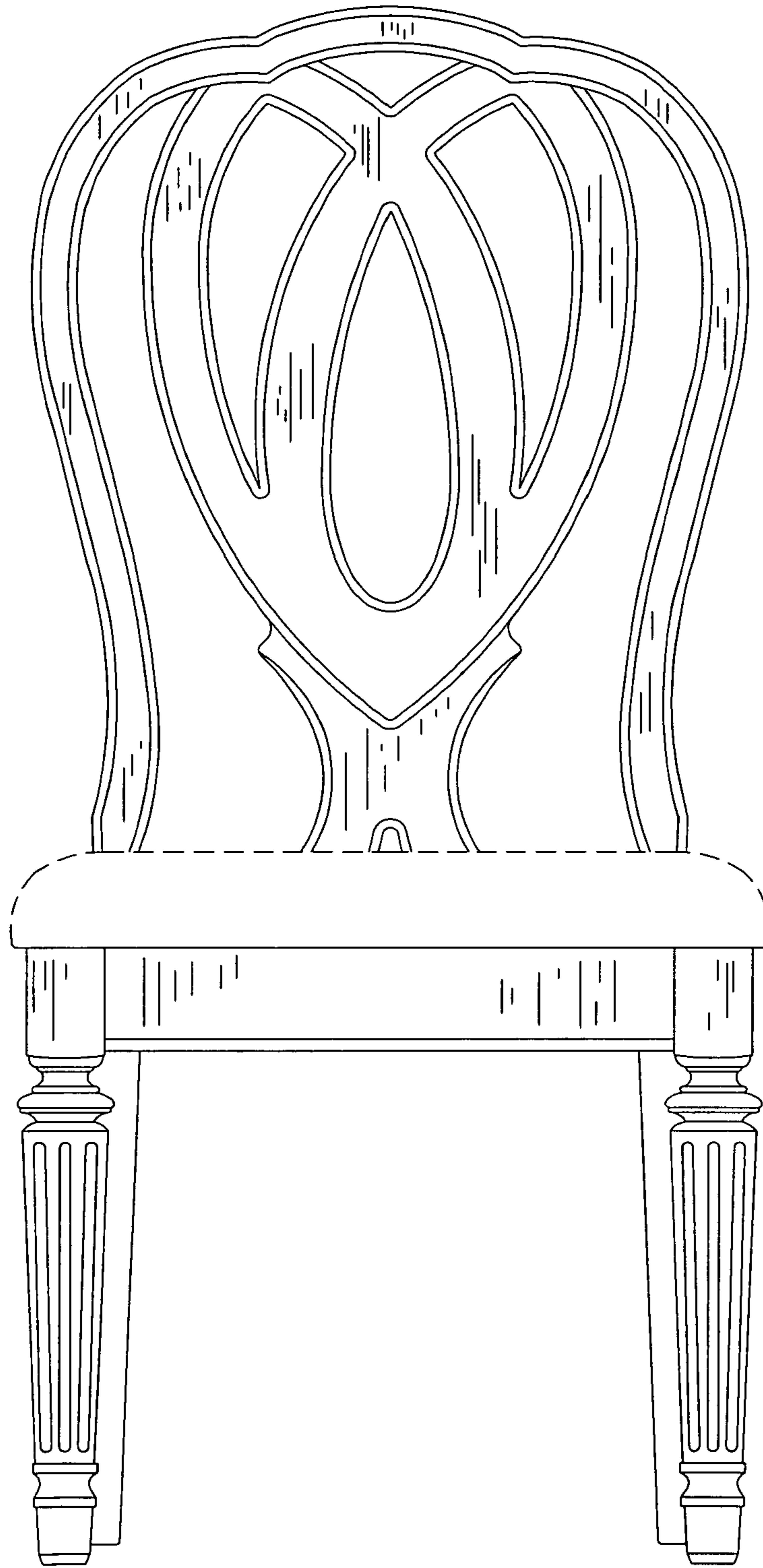


FIG. 7

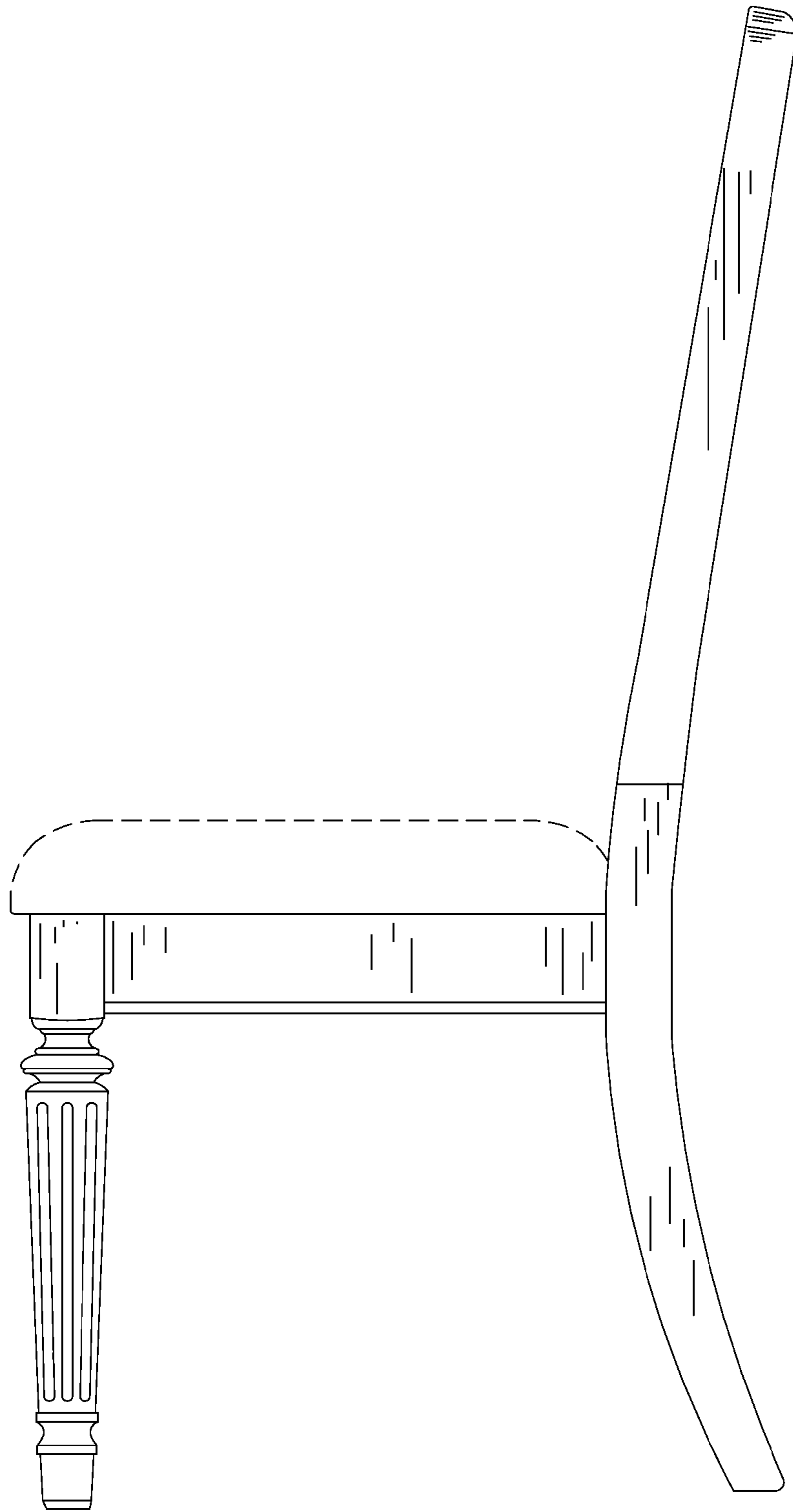


FIG. 8

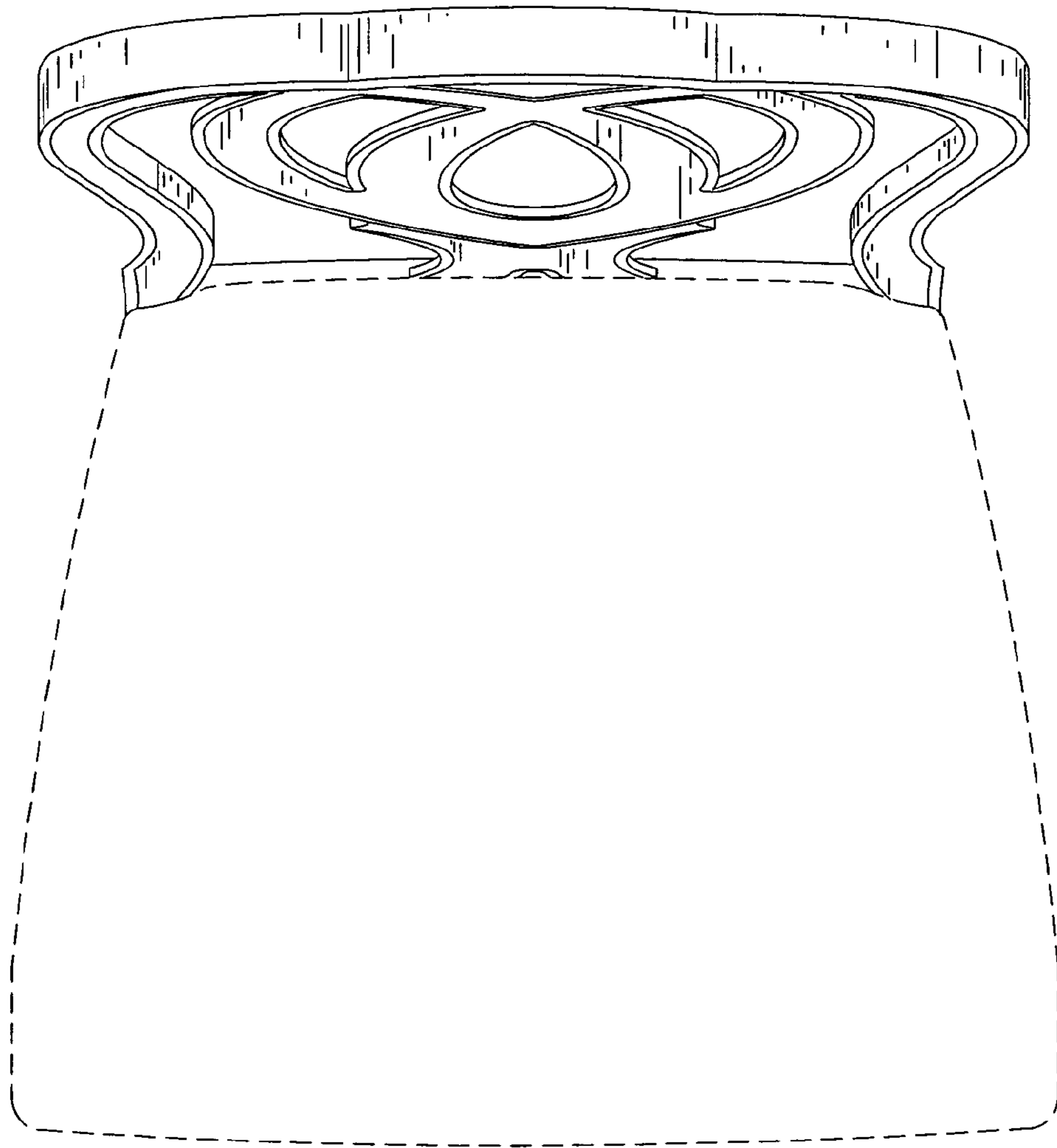


FIG. 9

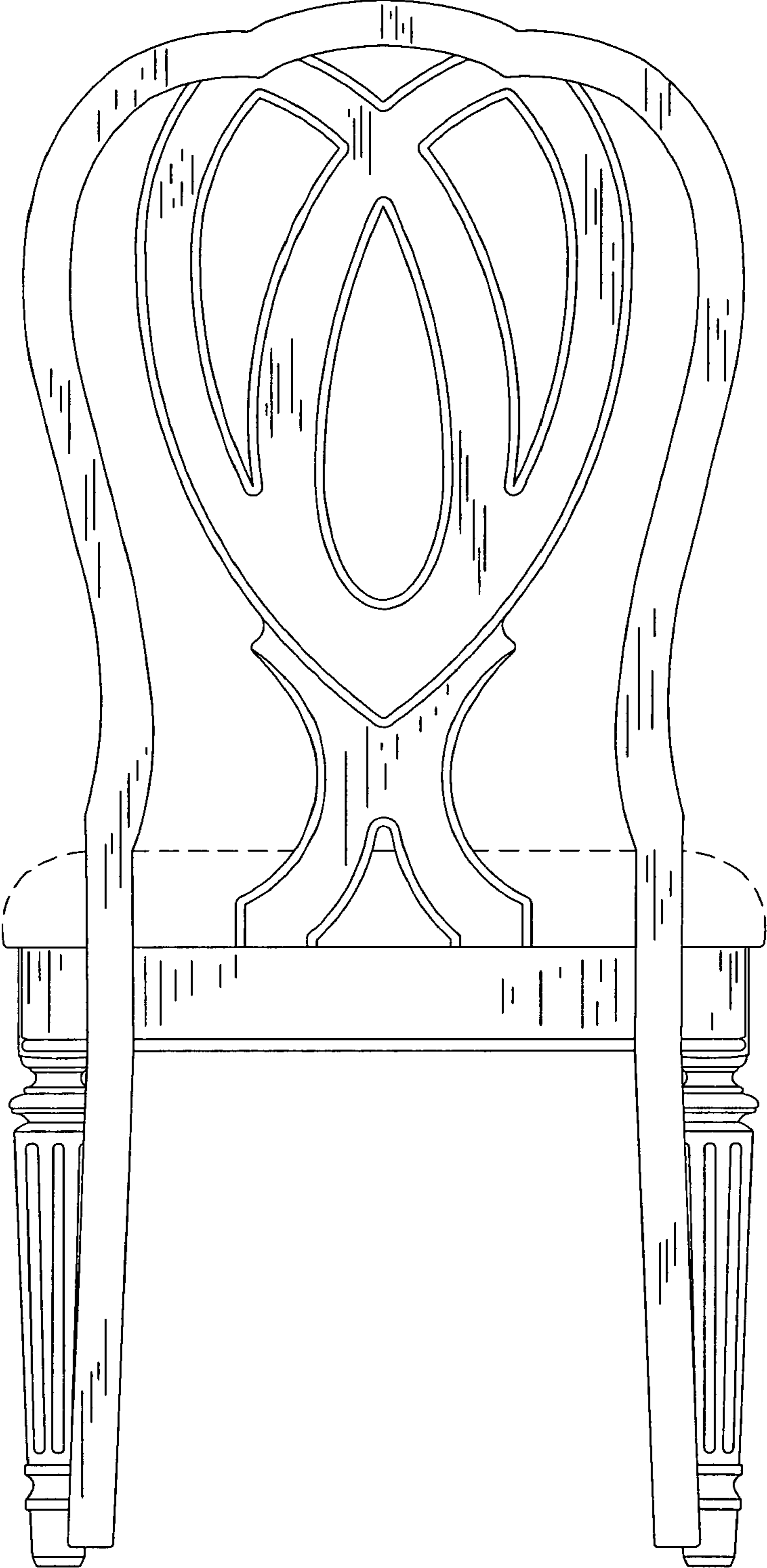


FIG. 10