



US00D601808S

(12) **United States Design Patent**
Wales

(10) **Patent No.:** **US D601,808 S**
(45) **Date of Patent:** **** Oct. 13, 2009**

(54) **GRILL BRUSH ATTACHMENT HAVING SPIRAL BRISTLES**

(76) Inventor: **Michael Wales**, 140 Indian Head Rd.,
Riverside, CT (US) 06878

(**) Term: **14 Years**

(21) Appl. No.: **29/336,931**

(22) Filed: **May 12, 2009**

(51) **LOC (9) Cl.** **04-01**

(52) **U.S. Cl.** **D4/119; D4/131**

(58) **Field of Classification Search** D4/116,
D4/119, 120, 130, 131, 132, 135, 199; 15/106,
15/107, 146, 159.1, 160, 176.1, 206; D32/42,
D32/47

See application file for complete search history.

(56) **References Cited**

U.S. PATENT DOCUMENTS

3,434,175	A *	3/1969	Bray	15/105
3,629,895	A *	12/1971	Colgan	15/160
3,760,449	A *	9/1973	Swanson	15/206
4,146,943	A *	4/1979	Wertheimer et al.	15/111
D281,467	S *	11/1985	Chan-Foun	D4/119
6,438,784	B1 *	8/2002	Yu	15/106
D468,107	S *	1/2003	Shen	D4/118
D562,563	S *	2/2008	Wales	D4/114
D589,705	S *	4/2009	Zemel	D4/119

* cited by examiner

Primary Examiner—Melanie H Tung

Assistant Examiner—Lavone D Tabor

(74) *Attorney, Agent, or Firm*—St. Onge Steward Johnston & Reens LLC

(57) **CLAIM**

The ornamental design for a grill brush attachment having spiral bristles, as shown and described.

DESCRIPTION

FIG. 1 is a rear isometric view of a grill brush attachment having spiral bristles in accordance with the new design;

FIG. 2 is a front view thereof;

FIG. 3 is a bottom view thereof;

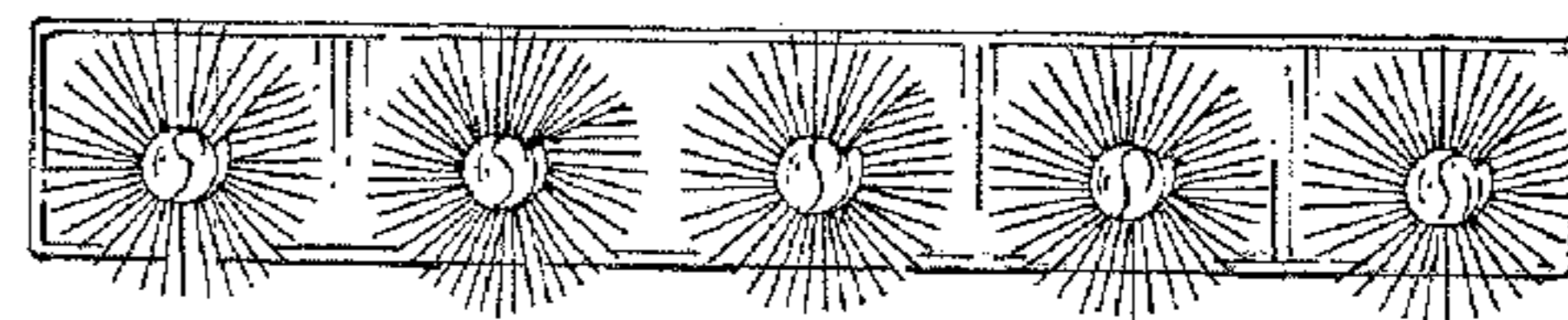
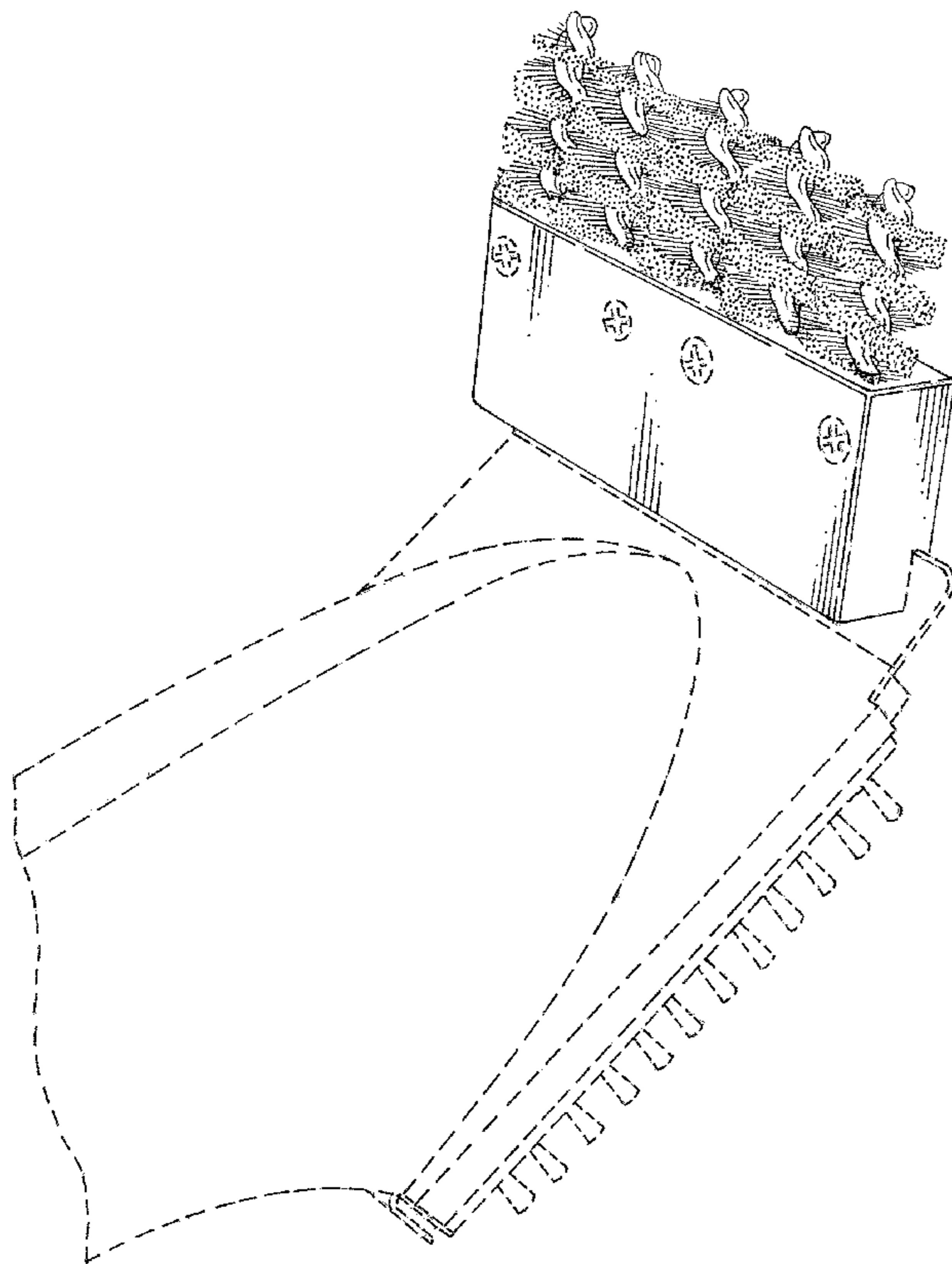
FIG. 4 is a rear view thereof;

FIG. 5 is a top view thereof; and,

FIG. 6 is a side view thereof.

The broken lines shown on the side of the grill brush attachment in FIGS. 1 and 6 and the horizontal broken lines shown on the attachment in FIG. 3 represent the bounds of the claim and all of the other broken lines are understood to illustrate the environment in which the article embodying the design is used. None of the broken lines form part of the claimed design.

1 Claim, 4 Drawing Sheets



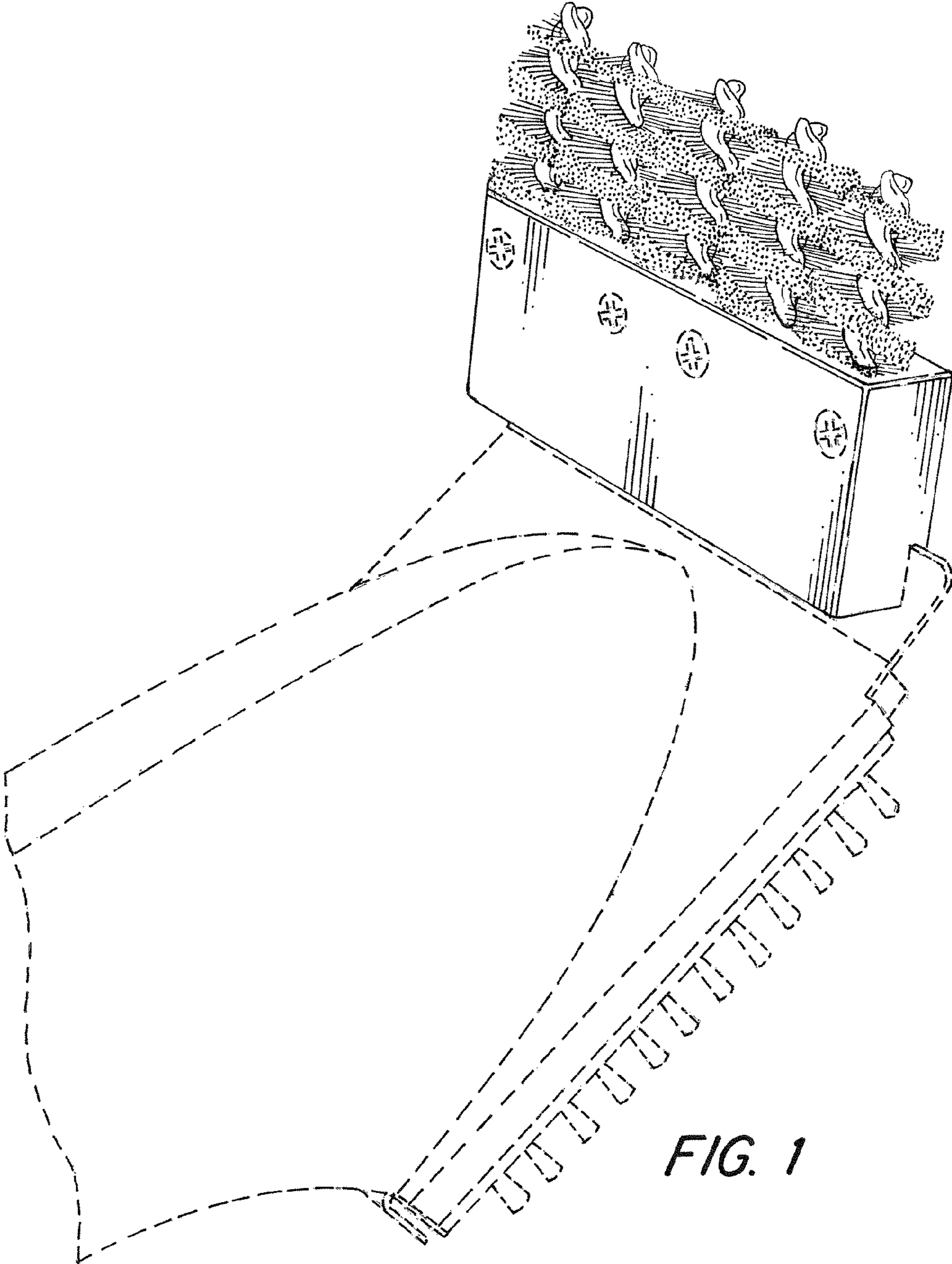


FIG. 1

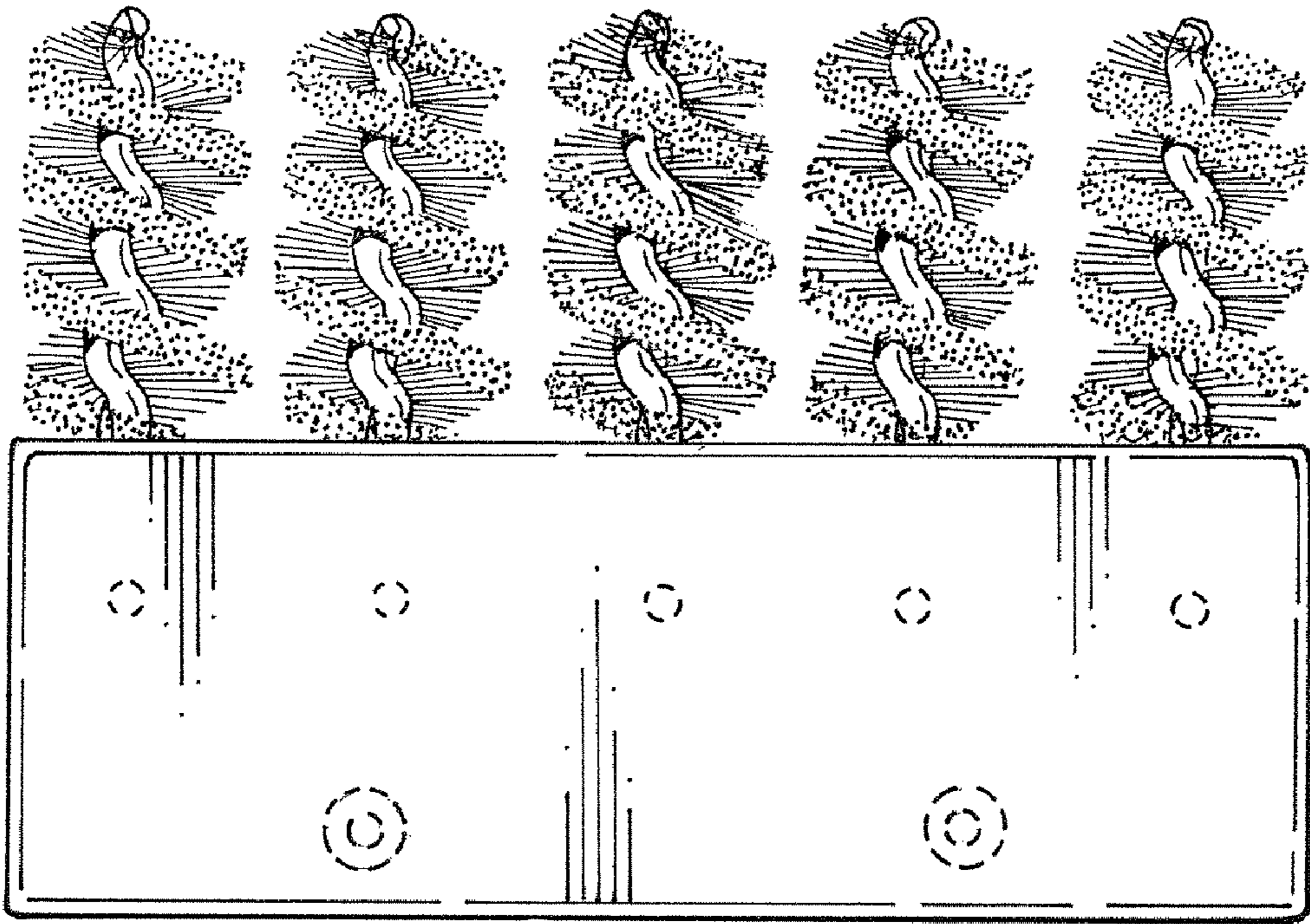


FIG. 2

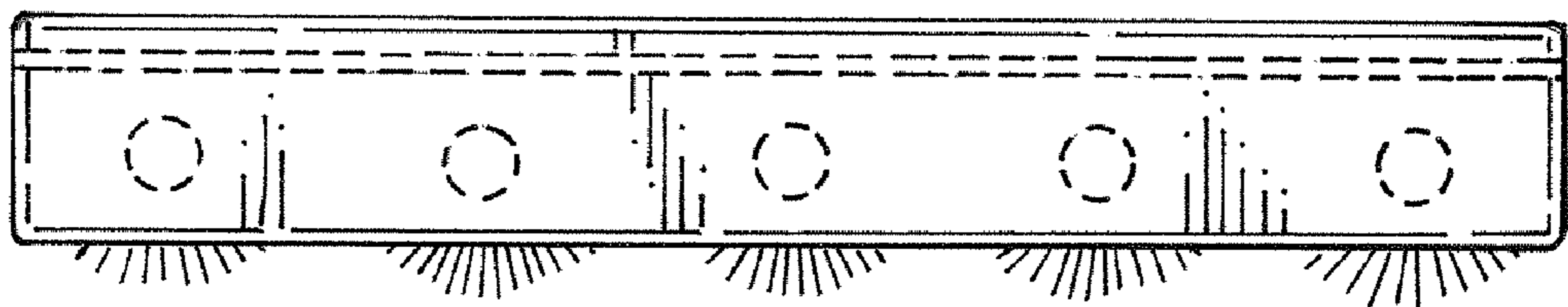


FIG. 3

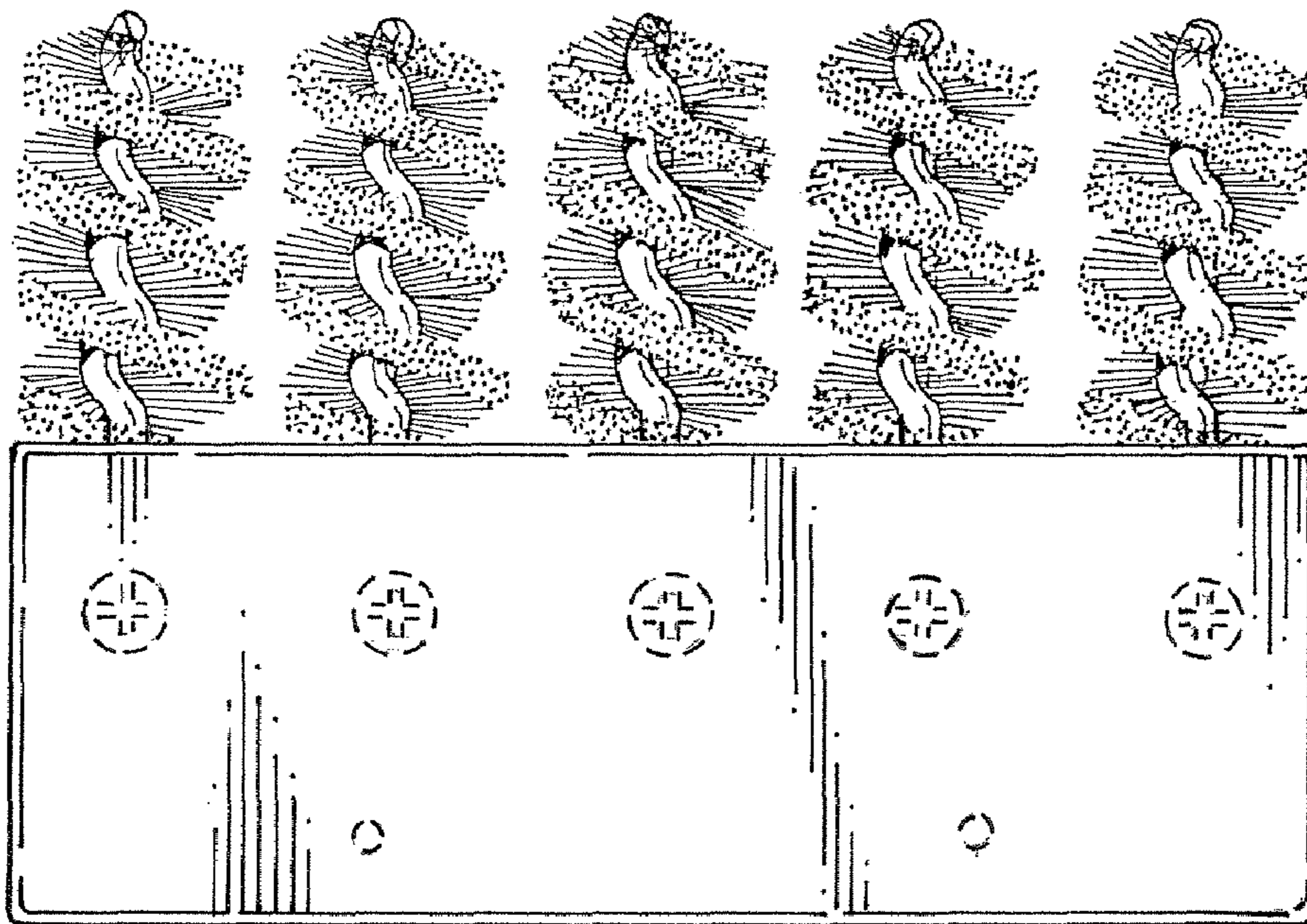


FIG. 4

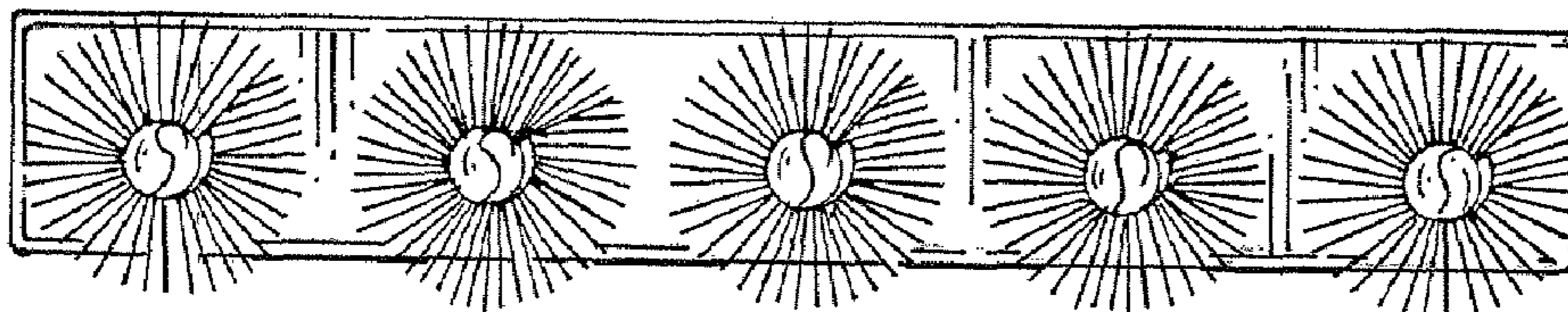


FIG. 5

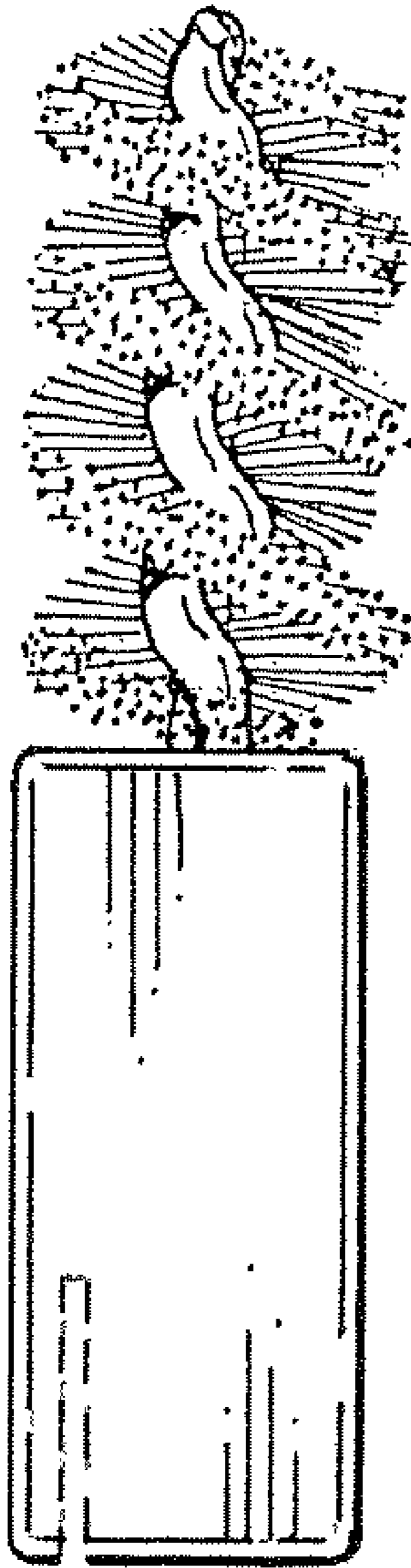


FIG. 6