



US00D601806S

(12) **United States Design Patent**
Choi

(10) **Patent No.:** **US D601,806 S**
(45) **Date of Patent:** **** Oct. 13, 2009**

(54) **STEAM BRUSH**

(75) Inventor: **Lung Wai Choi**, Hong Kong (CN)

(73) Assignee: **Goodway Electrical Co., Ltd.**, Hong Kong (HK)

(**) Term: **14 Years**

(21) Appl. No.: **29/311,468**

(22) Filed: **Mar. 24, 2009**

Related U.S. Application Data

(62) Division of application No. 29/266,429, filed on Sep. 20, 2006.

(30) **Foreign Application Priority Data**

Mar. 20, 2006 (EM) 000501242-0001
Mar. 20, 2006 (EM) 000501242-0002
Mar. 20, 2006 (EM) 000501242-0004

(51) **LOC (9) Cl.** **04-01**

(52) **U.S. Cl.** **D4/114; D4/138**

(58) **Field of Classification Search** D4/100,
D4/114, 132-134, 136, 137, 138; D32/35;
15/160, 188; 68/222; 219/227, 243, 245;
392/403-406

See application file for complete search history.

(56) **References Cited**

U.S. PATENT DOCUMENTS

D200,525 S * 3/1965 Kellogg D4/100

D465,309 S * 11/2002 Foersterling D32/35
D476,160 S * 6/2003 Choi D4/121
7,155,117 B2 * 12/2006 Leung et al. 392/404
D541,500 S * 4/2007 Leung D32/35

FOREIGN PATENT DOCUMENTS

JP 02136200 A * 5/1990

OTHER PUBLICATIONS

Goodway Electrical Co. Ltd. Steam Brush—Item No. G-663. Product Magazines [online]. Hong Kong Enterprise, vol. 12, 2003, Household Products, p. 336, [retrieved on Oct. 31, 2008]. Retrieved from the Internet: <<http://emag.hkenterprise.com>>.*

* cited by examiner

Primary Examiner—Melanie H Tung

Assistant Examiner—Lavone D Tabor

(74) *Attorney, Agent, or Firm*—Ostrolenk Faber LLP

(57) **CLAIM**

The ornamental design for a steam brush, as shown.

DESCRIPTION

FIG. 1 is a front, left side perspective view of a steam brush showing my new design;

FIG. 2 is a front view thereof;

FIG. 3 is a rear view thereof;

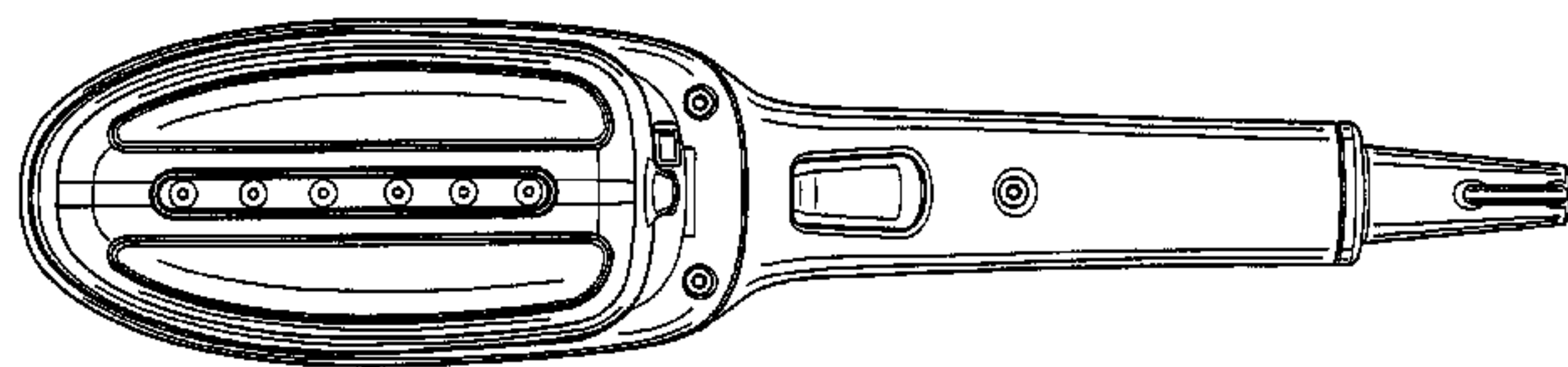
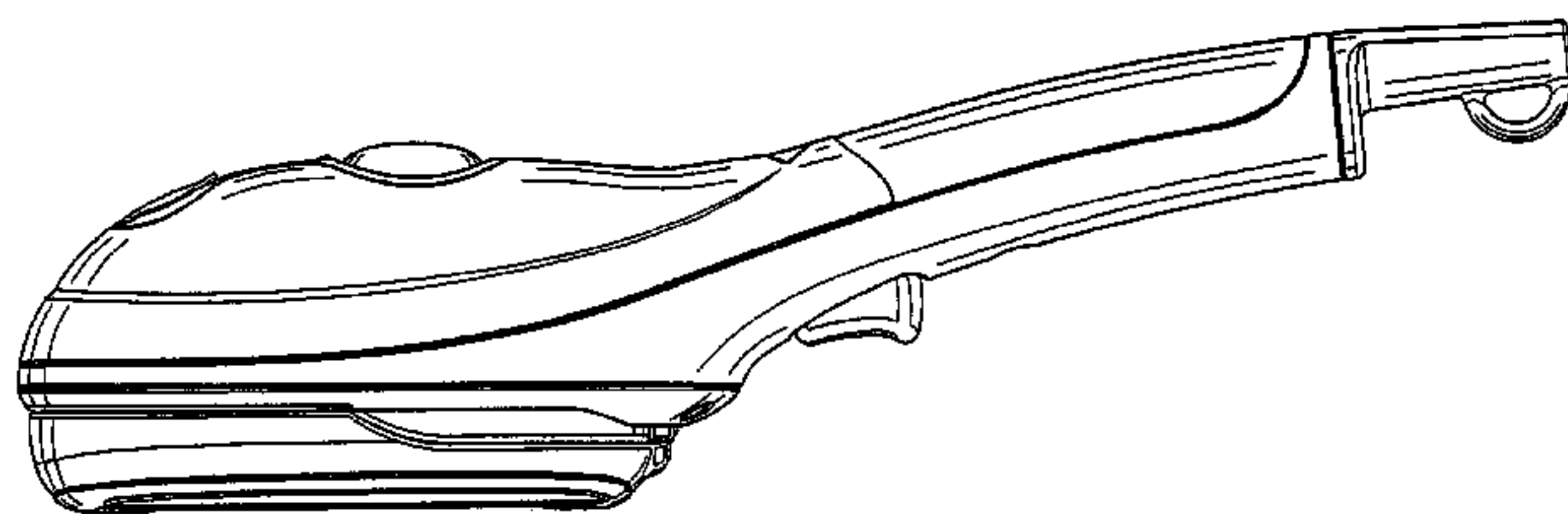
FIG. 4 is a left side view thereof;

FIG. 5 is a right side view thereof;

FIG. 6 is a top view thereof; and,

FIG. 7 is a bottom view thereof.

1 Claim, 7 Drawing Sheets



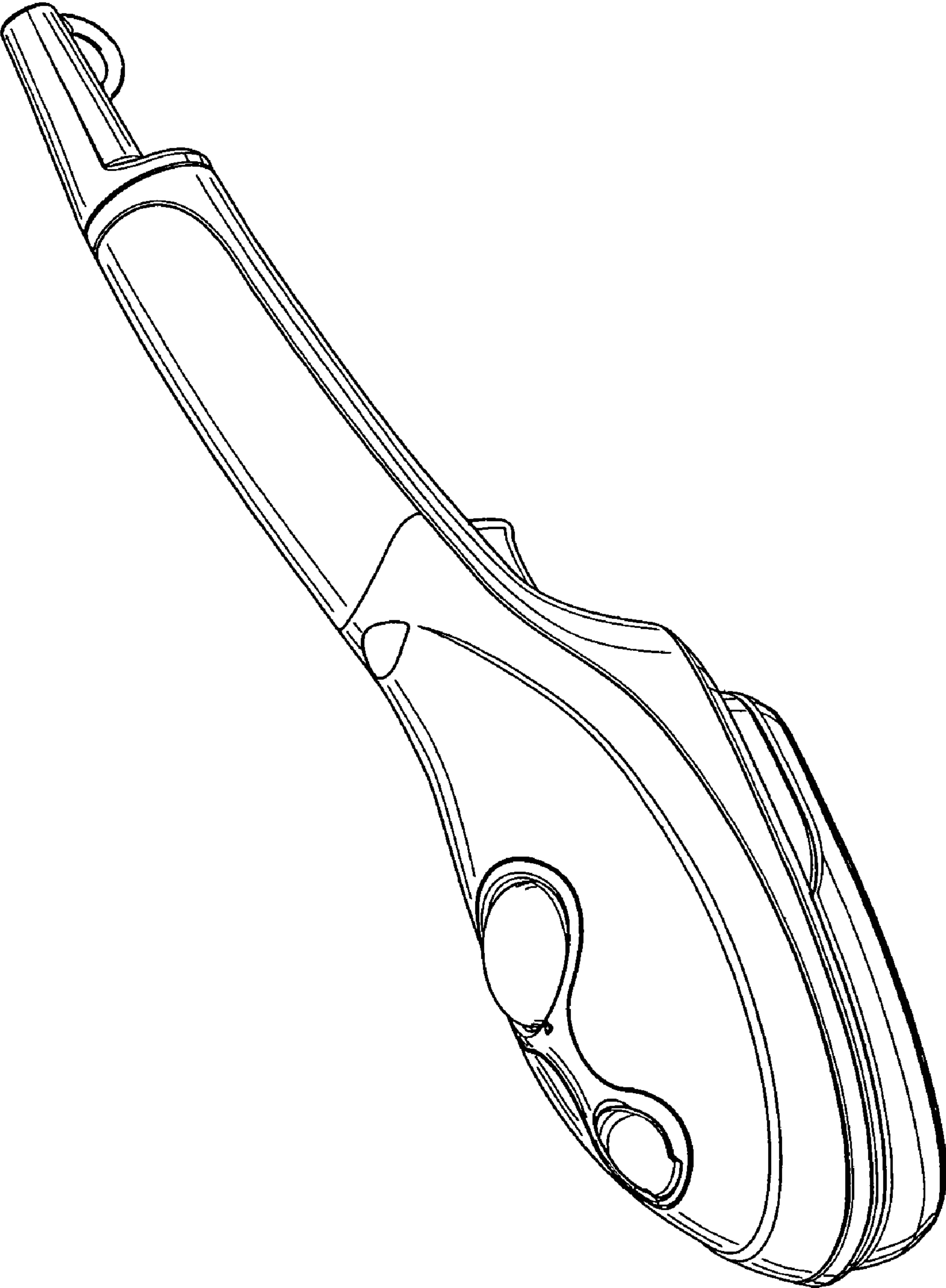


FIG. 1

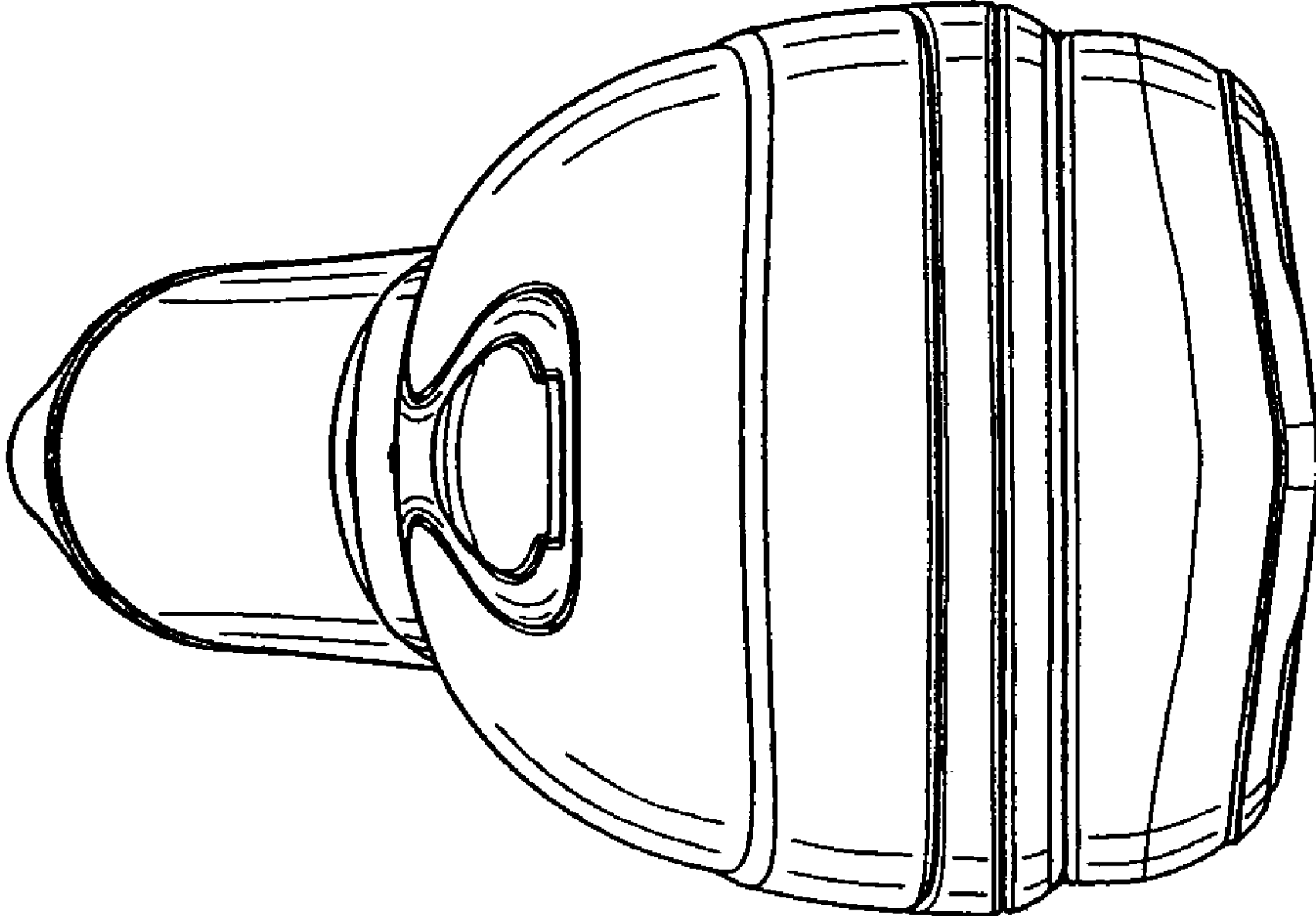


FIG. 2

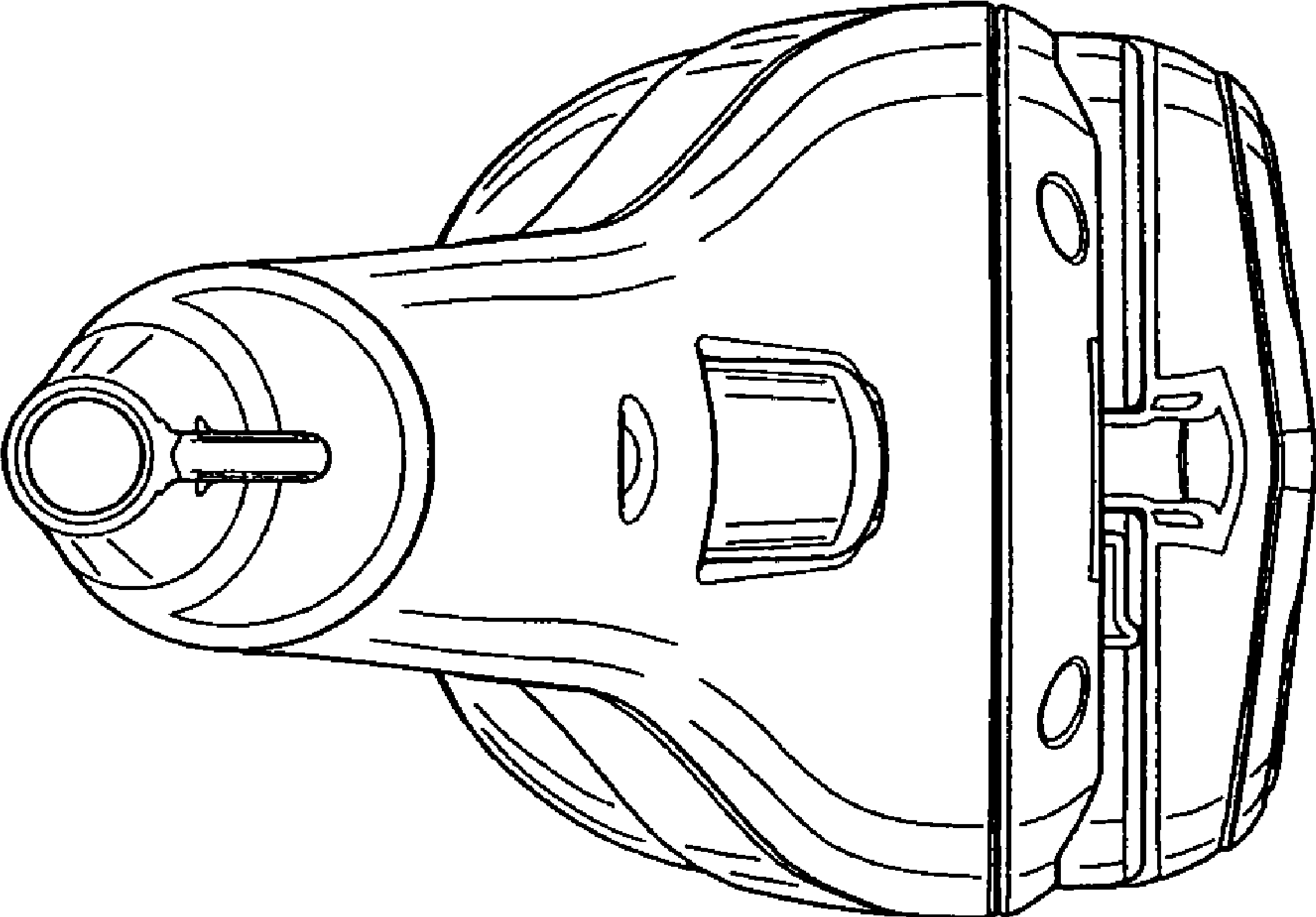


FIG. 3

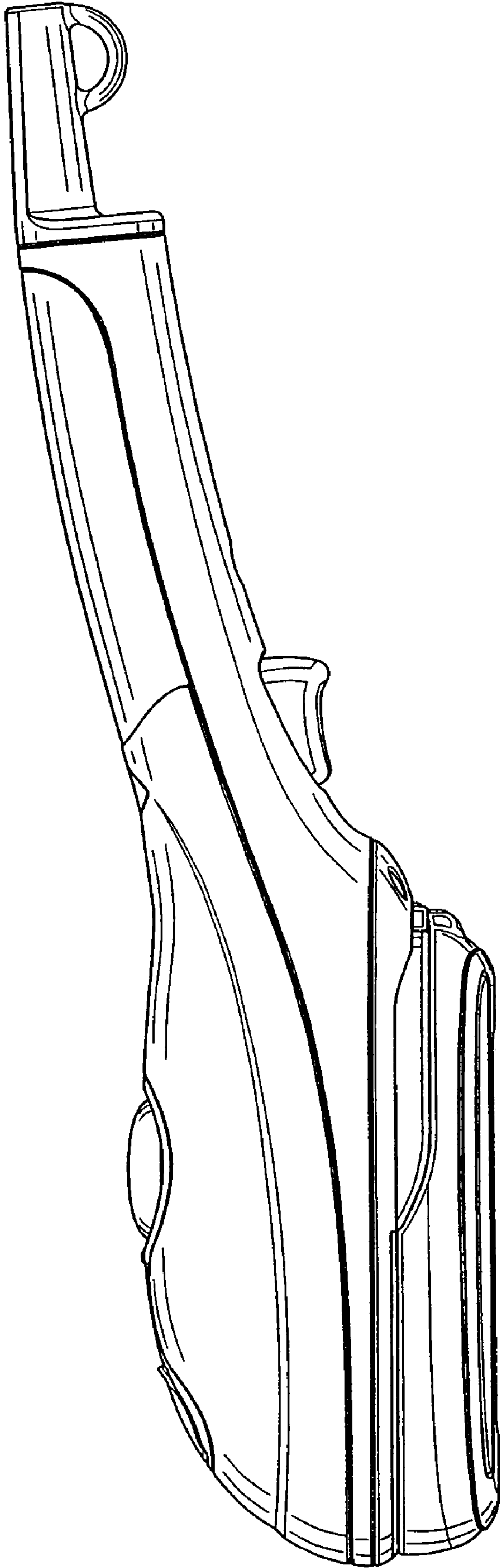


FIG. 4

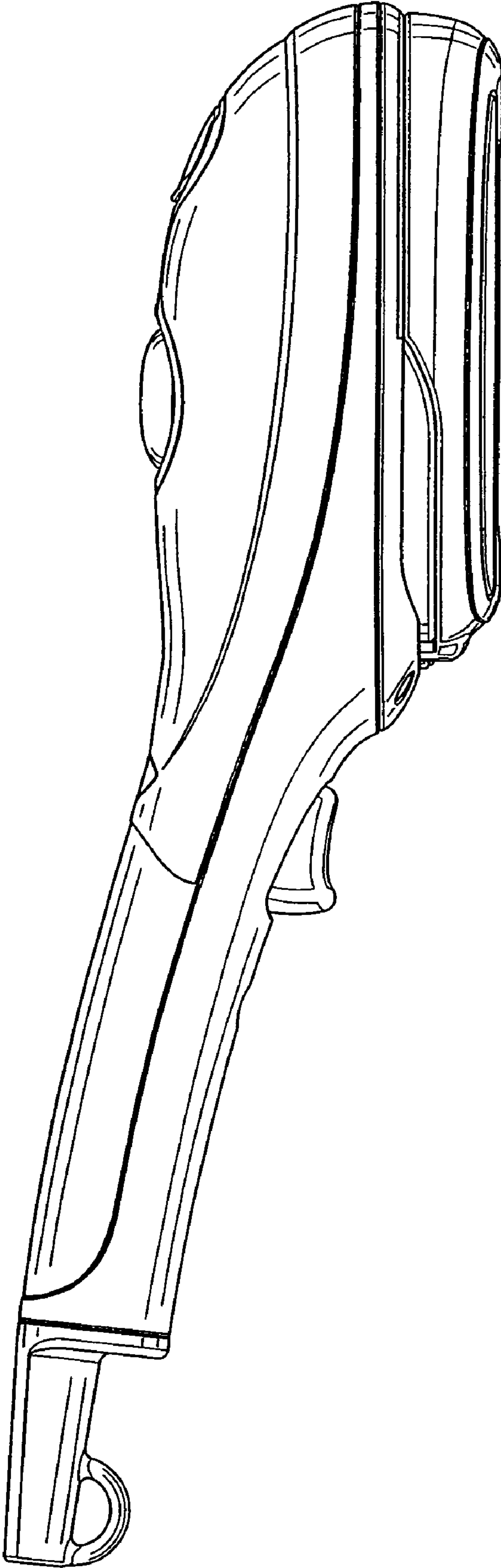


FIG. 5

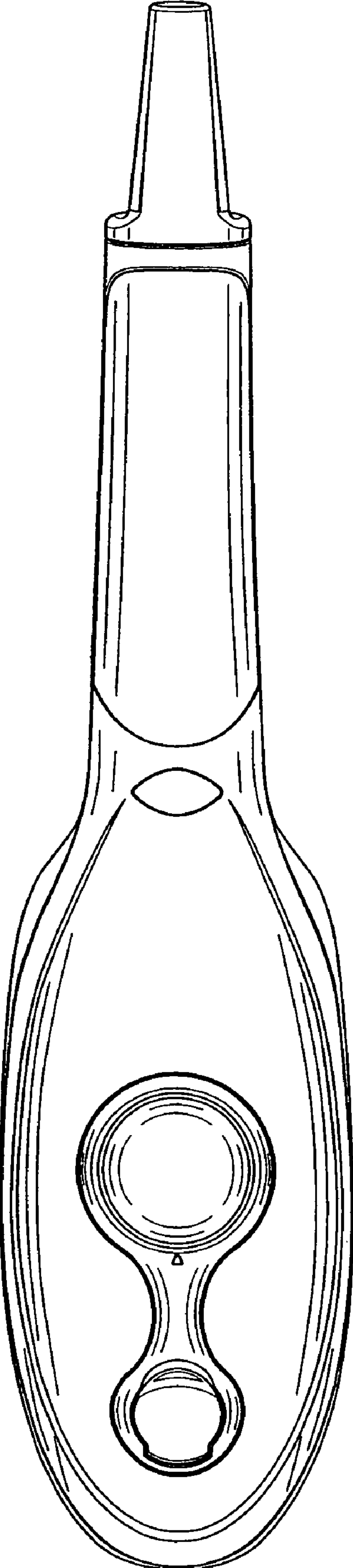


FIG. 6

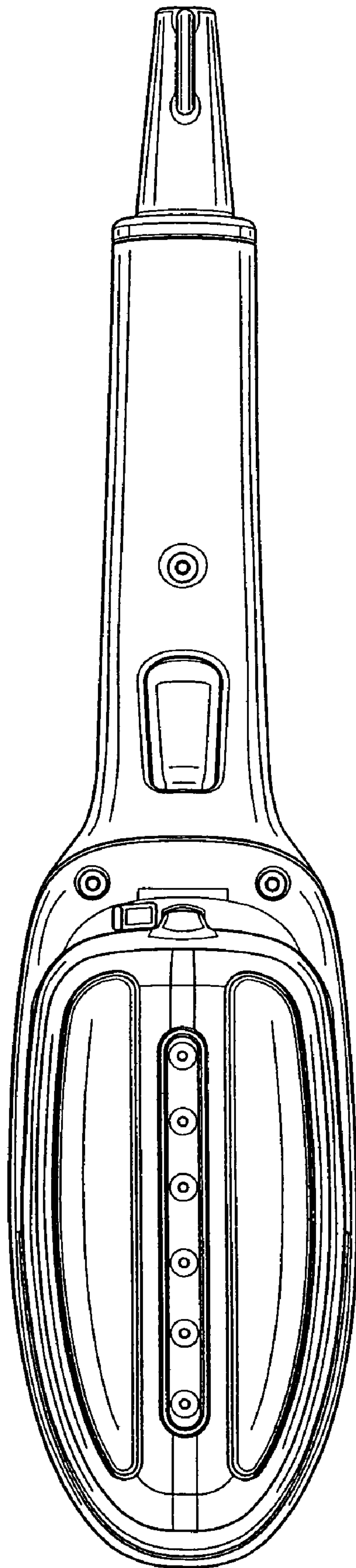


FIG. 7