



US00D601798S

(12) **United States Design Patent**
Hsu

(10) **Patent No.:** **US D601,798 S**
(45) **Date of Patent:** **** Oct. 13, 2009**

(54) **CONTAINER FOR ORNAMENTAL ACCESSORIES**

(76) **Inventor:** **Junior Julian Hsu**, 3633 Palm Canyon, Northbrook, IL (US) 60062

(**) **Term:** **14 Years**

(21) **Appl. No.:** **29/329,112**

(22) **Filed:** **Dec. 9, 2008**

(51) **LOC (9) Cl.** **03-01**

(52) **U.S. Cl.** **D3/295; D3/903**

(58) **Field of Classification Search** D3/201,
D3/260, 273–274, 294–295, 903; 206/6.1,
206/566, 748

See application file for complete search history.

(56) **References Cited**

U.S. PATENT DOCUMENTS

D186,829	S	*	12/1959	Jachetta	D3/270
4,040,202	A	*	8/1977	Wille	43/57.2
D266,115	S	*	9/1982	Glenn et al.	D3/295
4,420,084	A	*	12/1983	Whelan	206/566
4,978,001	A	*	12/1990	Nelson	206/748
D317,380	S	*	6/1991	Snyder	D3/295
5,069,332	A	*	12/1991	Williams et al.	206/6.1
D328,671	S	*	8/1992	Edgett	D3/295
5,141,300	A	*	8/1992	Ciesla	312/204
D335,768	S	*	5/1993	Romo	D3/295
D348,155	S	*	6/1994	McCreary et al.	D3/295
5,468,063	A	*	11/1995	Simonek	312/334.28
D368,583	S	*	4/1996	Sharer et al.	D3/294

D393,542	S	*	4/1998	Thompson	D3/294
D436,727	S	*	1/2001	Hsu	D3/294
D475,852	S	*	6/2003	Peterson	D3/260
D525,030	S	*	7/2006	Farmer	D3/271.5
7,367,449	B2	*	5/2008	Kaminski et al.	206/6.1
2006/0180481	A1	*	8/2006	McGaughey, Sr.	206/6.1

* cited by examiner

Primary Examiner—Philip S Hyder

Assistant Examiner—Roselynn Cody

(74) *Attorney, Agent, or Firm*—Muncy, Geissler, Olds & Lowe, PLLC

(57) **CLAIM**

The ornamental design for a container for ornamental accessories, as shown and described.

DESCRIPTION

FIG. 1 is a perspective view of a container for ornamental accessories showing my design;

FIG. 2 is a front elevation view thereof;

FIG. 3 is a rear elevation view thereof;

FIG. 4 is a left side elevation view thereof;

FIG. 5 is a right side elevation view thereof;

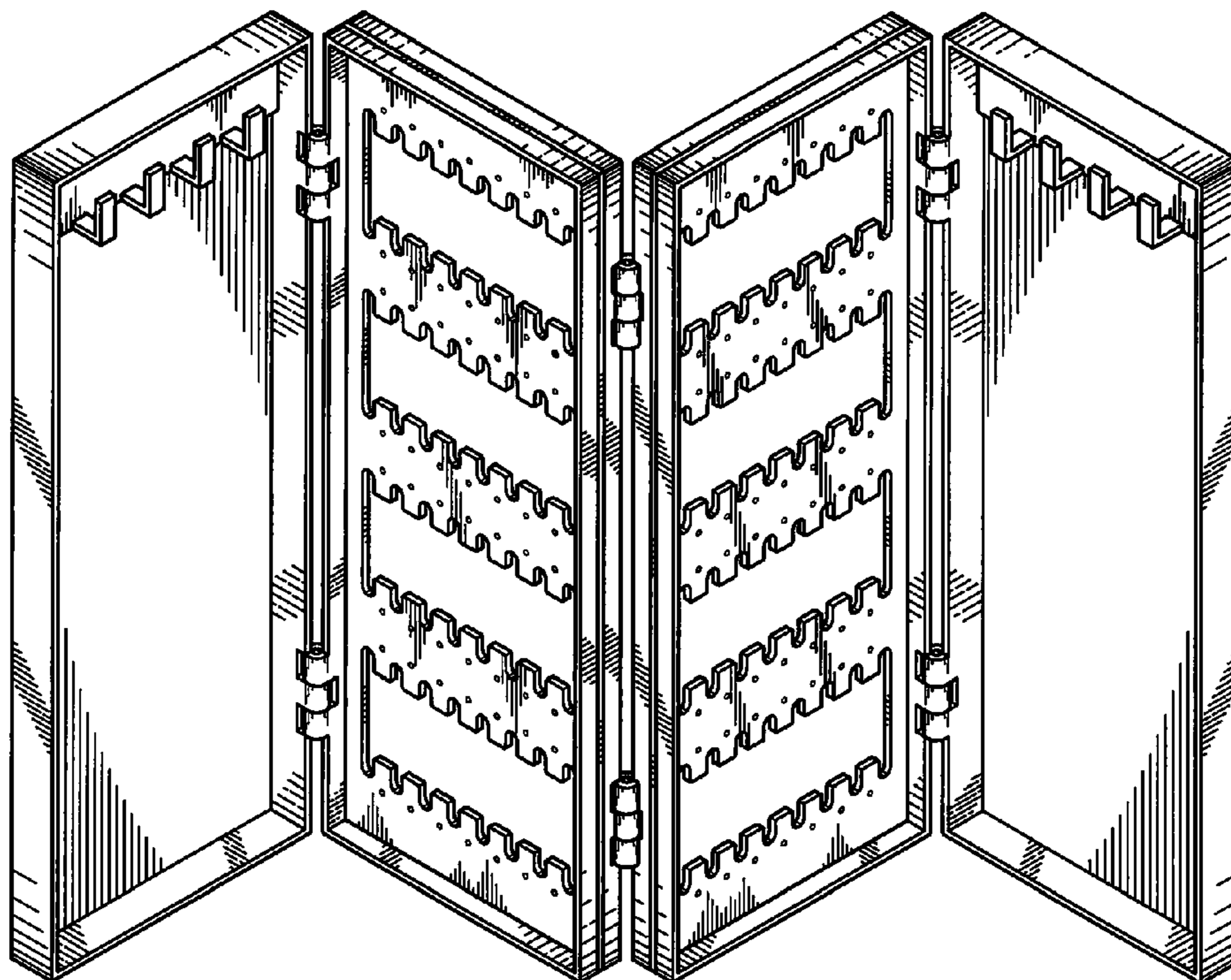
FIG. 6 is a top plan view thereof;

FIG. 7 is a bottom plan view thereof; and,

FIG. 8 is a perspective view of the container in use.

The articles shown in broken lines in FIG. 8 illustrate environment and form no part of the claimed design.

1 Claim, 6 Drawing Sheets



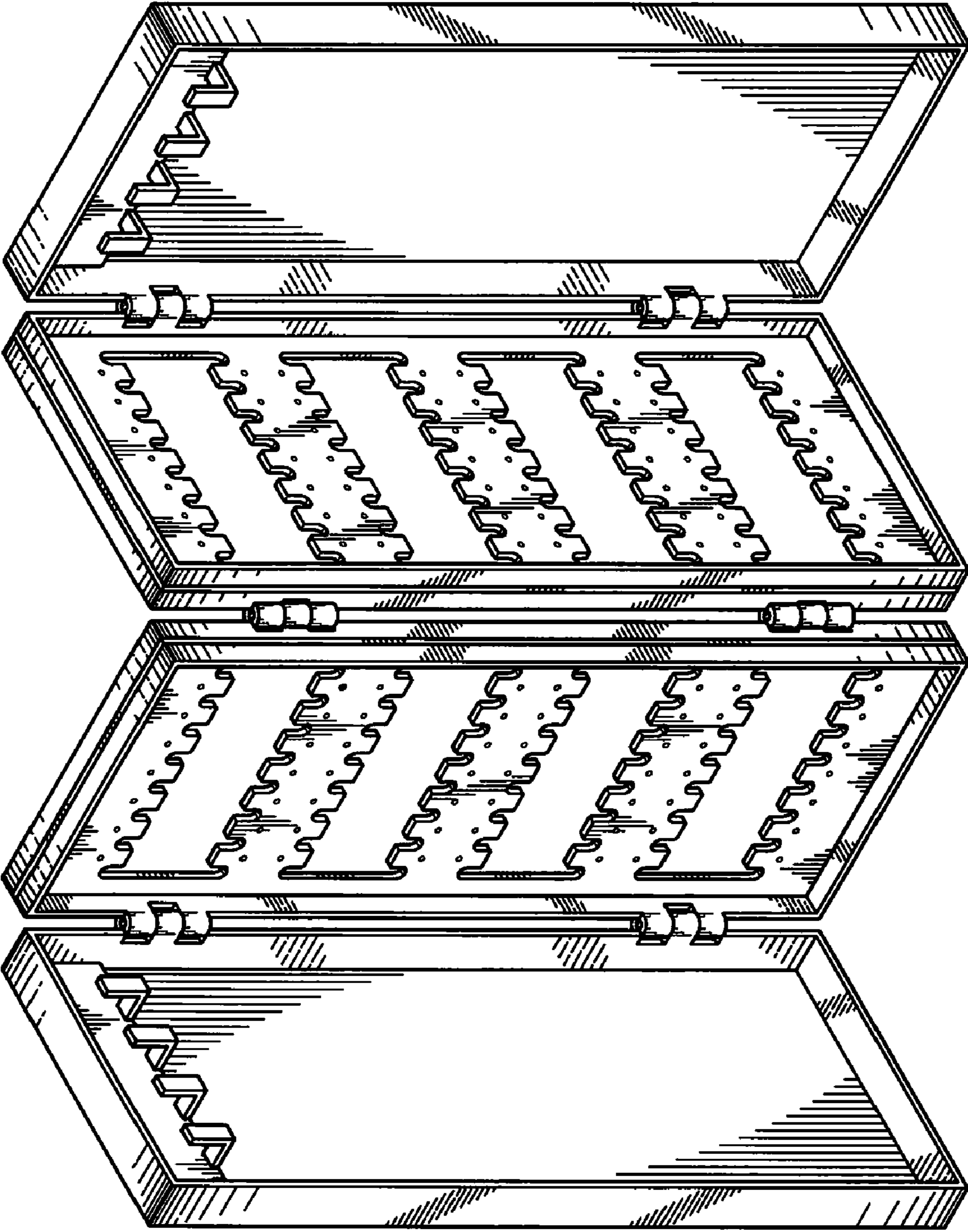


FIG.1

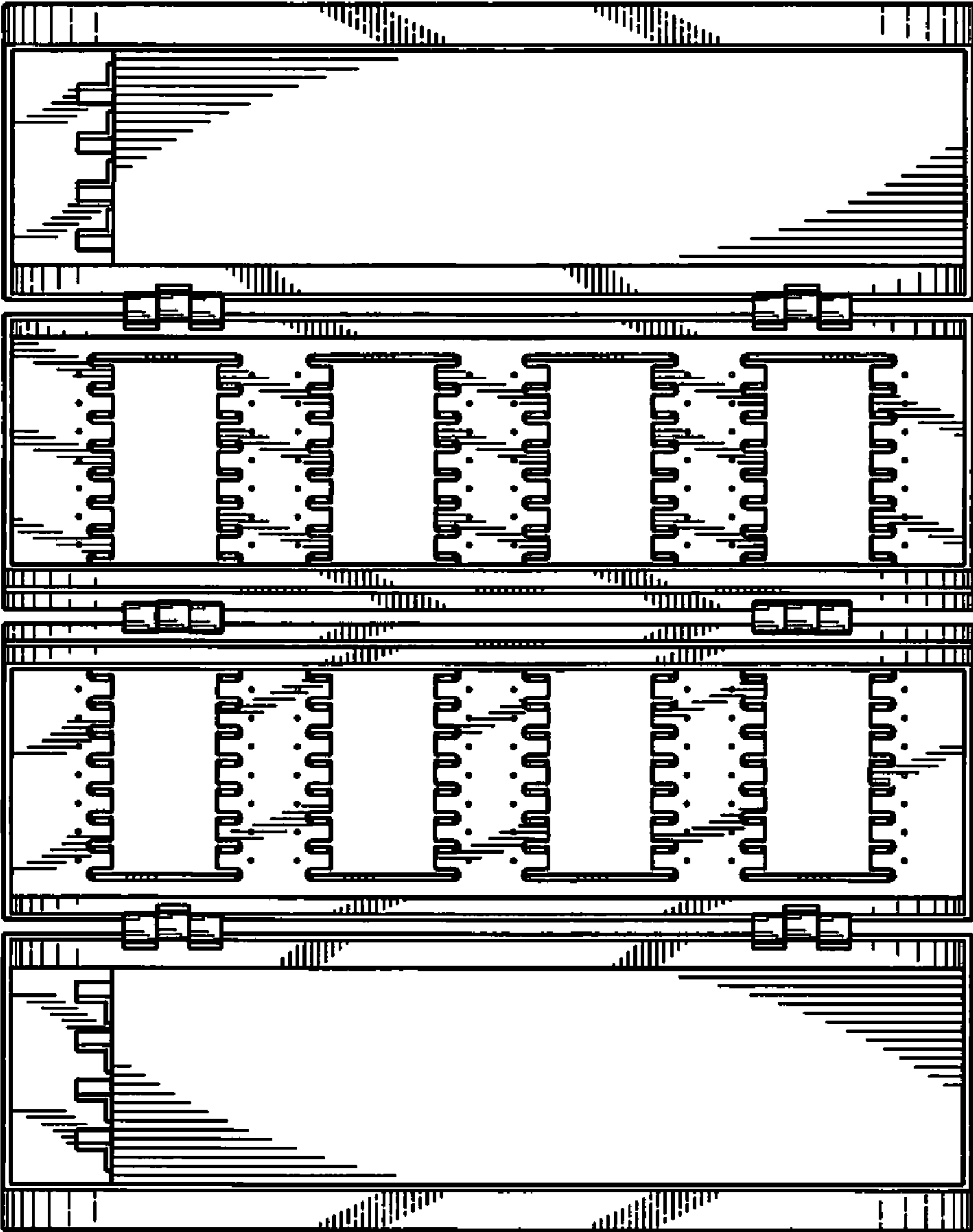


FIG. 2

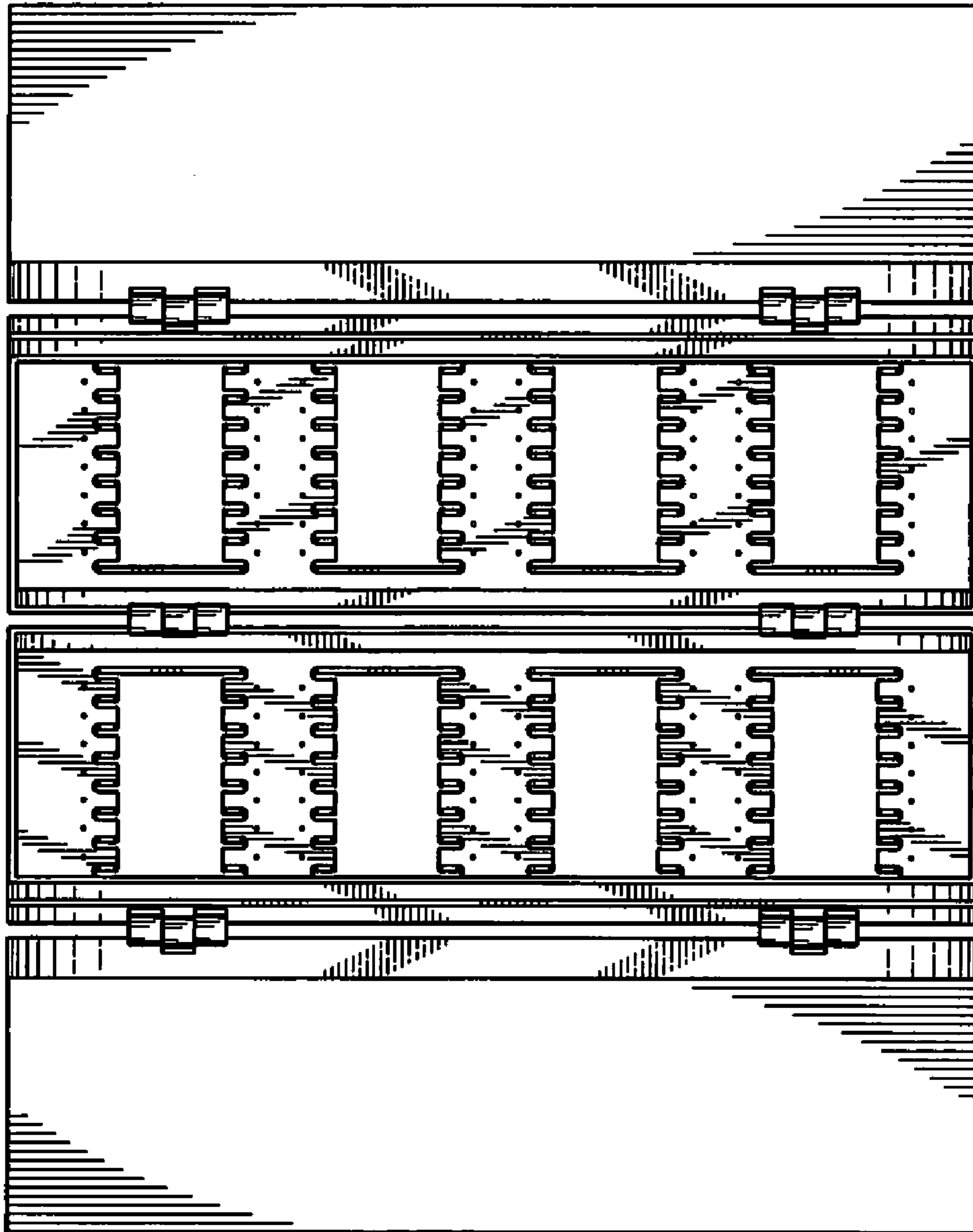


FIG. 3

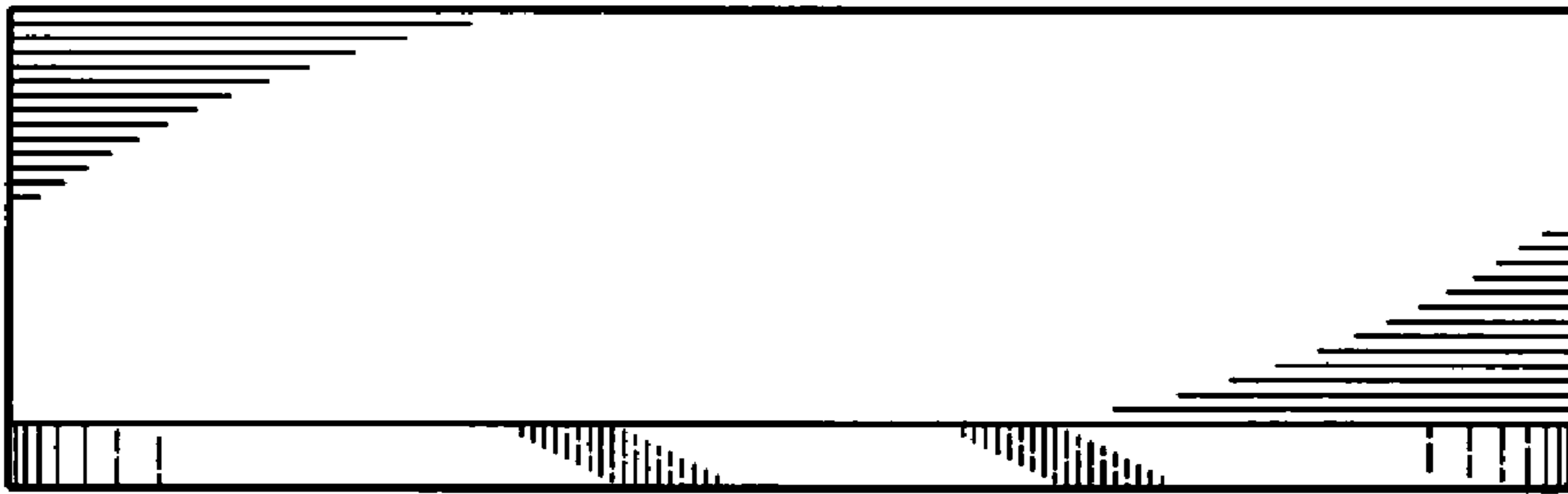


FIG. 5

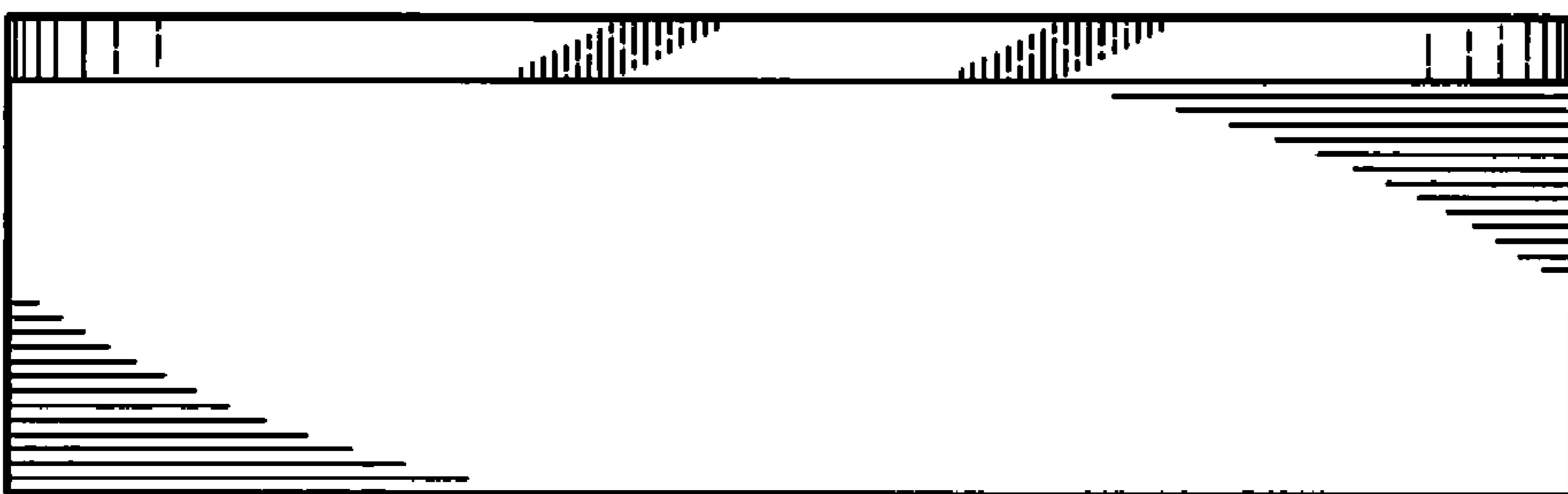


FIG. 4

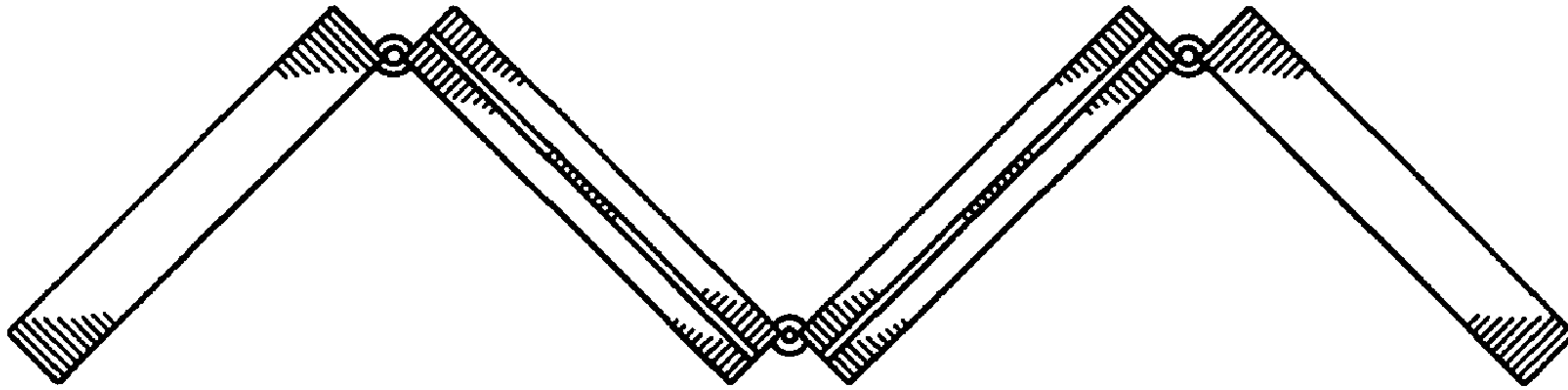


FIG. 6

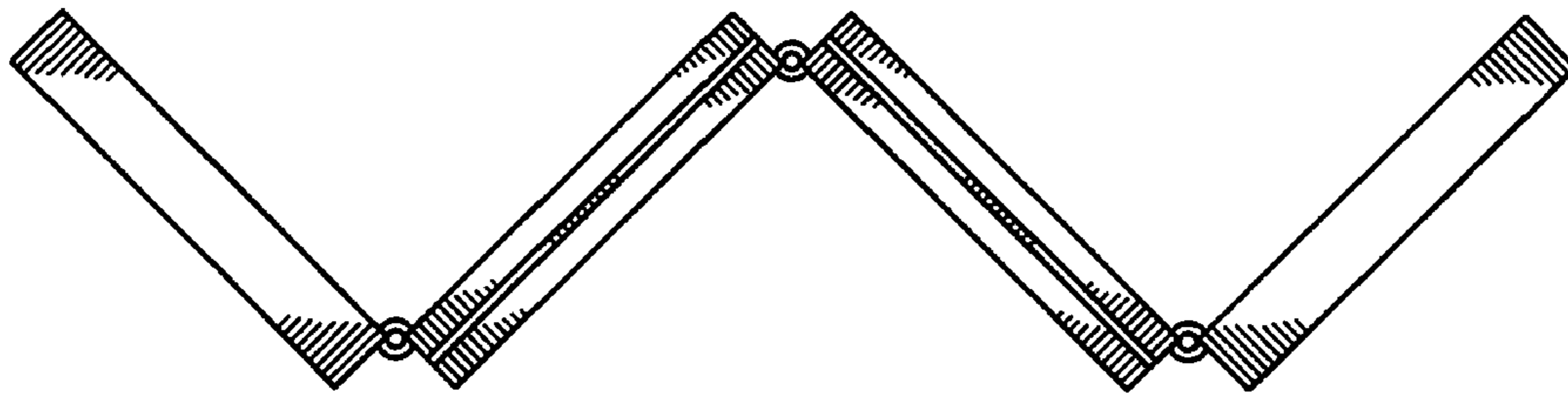


FIG. 7

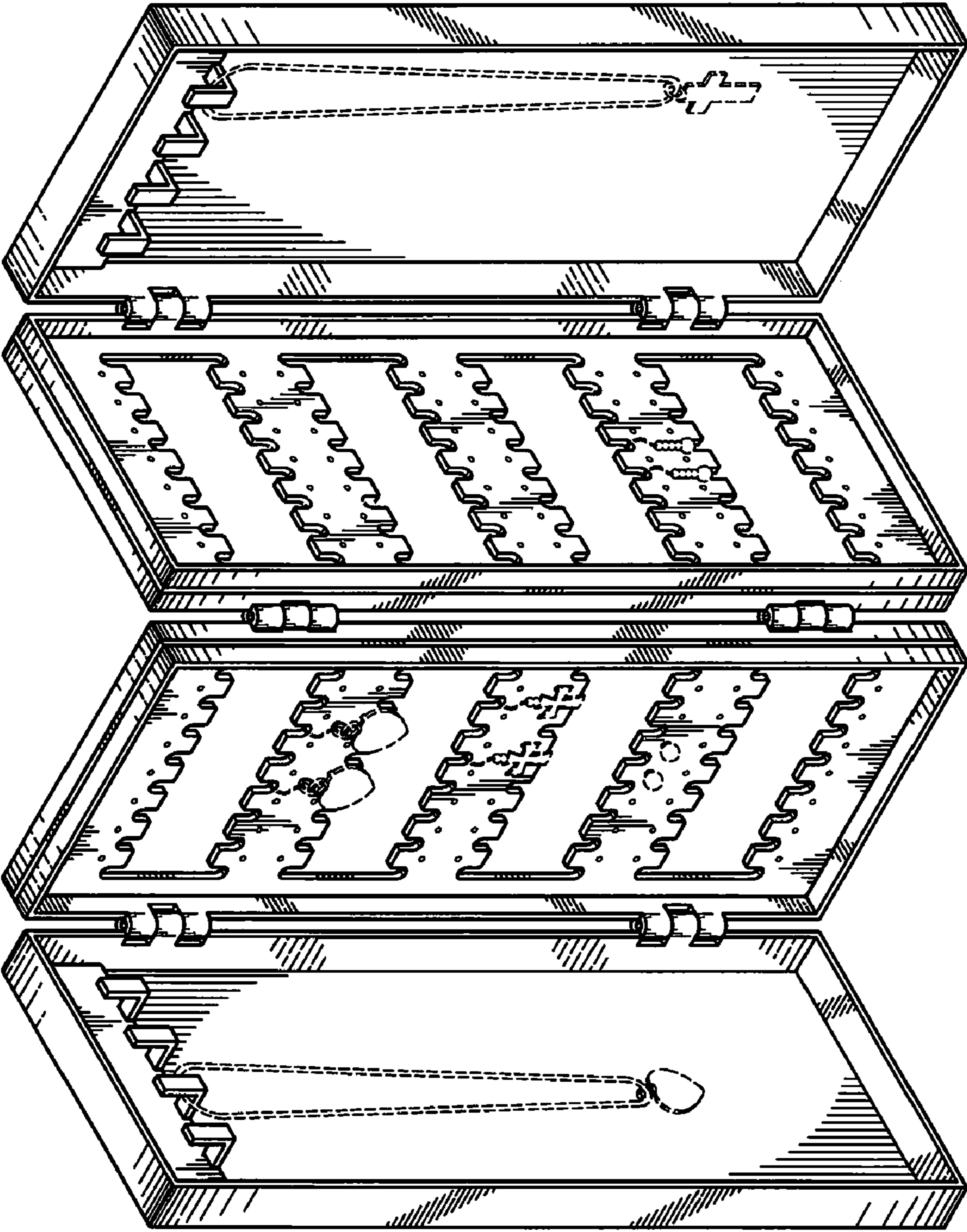


FIG. 8