



US00D601797S

(12) **United States Design Patent**  
**Wenchel et al.**

(10) **Patent No.:** **US D601,797 S**

(45) **Date of Patent:** **\*\* Oct. 13, 2009**

(54) **TOOL STORAGE CASE**

(75) Inventors: **Lauren M. Wenchel**, Bel Air, MD (US);  
**Gabriel E. Concari**, Eldersburg, MD  
(US)

(73) Assignee: **Black & Decker Inc.**, Newark, DE (US)

(\*\*) Term: **14 Years**

(21) Appl. No.: **29/319,048**

(22) Filed: **Jun. 3, 2008**

(51) **LOC (9) Cl.** ..... **03-01**

(52) **U.S. Cl.** ..... **D3/294; D3/905**

(58) **Field of Classification Search** ..... D3/201,  
D3/228, 273, 282–284, 286, 294–295, 315,  
D3/905; D9/424–426; D28/83; 206/349,  
206/372–377, 379

See application file for complete search history.

(56) **References Cited**

U.S. PATENT DOCUMENTS

D294,775 S *	3/1988	Rechberg	.....	D3/279
4,884,689 A	12/1989	Su-Chin		
D328,189 S *	7/1992	Hillinger	.....	D3/282
D343,731 S	2/1994	Tsumita		
D368,371 S	4/1996	Calmeise		
5,570,784 A	11/1996	Sidabras et al.		
D378,634 S *	4/1997	LaPere	.....	D3/273
D390,357 S	2/1998	Rosen		
5,887,715 A	3/1999	Vasudeva		
D418,977 S *	1/2000	Streich	.....	D3/273
D428,699 S *	8/2000	Gibson et al.	.....	D3/282
D429,884 S	8/2000	Zurwelle et al.		
D437,684 S *	2/2001	Streich et al.	.....	D3/273
D447,634 S *	9/2001	Snider	.....	D3/294
D448,167 S *	9/2001	Pangerc et al.	.....	D3/294
6,405,864 B1	6/2002	Streich et al.		
6,523,687 B2 *	2/2003	Ling	.....	206/378
D473,713 S *	4/2003	Chen	.....	D3/282
D475,853 S *	6/2003	Chen	.....	D3/294
6,591,985 B2 *	7/2003	Lai	.....	206/373
D477,912 S *	8/2003	Cunningham et al.	.....	D3/273
D478,209 S	8/2003	Chen		
D482,869 S *	12/2003	Chen	.....	D3/282
D487,970 S	4/2004	Meier et al.		

D490,977 S *	6/2004	Freeman	.....	D3/273
D496,793 S	10/2004	Pangerc et al.		
D505,549 S *	5/2005	Hosking	.....	D14/509
D507,701 S *	7/2005	Chen	.....	D3/282
6,994,214 B2	2/2006	Yang		
7,048,133 B2	5/2006	Pangerc et al.		
D523,242 S	6/2006	Hardigg et al.		
D529,289 S *	10/2006	Roesler	.....	D3/294
D529,716 S *	10/2006	Wang	.....	D3/282
D530,092 S *	10/2006	Roesler	.....	D3/294
7,121,407 B2	10/2006	Hurt et al.		
7,237,688 B2	7/2007	Pangerc et al.		
D563,669 S	3/2008	Bosak et al.		
D563,671 S *	3/2008	Cornwell et al.	.....	D3/294
7,367,451 B2	5/2008	Pendergraph et al.		
D572,479 S *	7/2008	Buck et al.	.....	D3/282
D572,480 S *	7/2008	Buck et al.	.....	D3/294
2004/0188279 A1 *	9/2004	Chen	.....	206/216
2005/0029139 A1	2/2005	Chen		

\* cited by examiner

*Primary Examiner*—Philip S Hyder

*Assistant Examiner*—Roselynn H Ulm

(74) *Attorney, Agent, or Firm*—Scott B. Markow

(57) **CLAIM**

The ornamental design for a tool storage case, as shown and described.

**DESCRIPTION**

FIG. 1 is a perspective view of the tool storage case in the closed position.

FIG. 2 is a front view thereof.

FIG. 3 is a back view thereof.

FIG. 4 is a left view thereof.

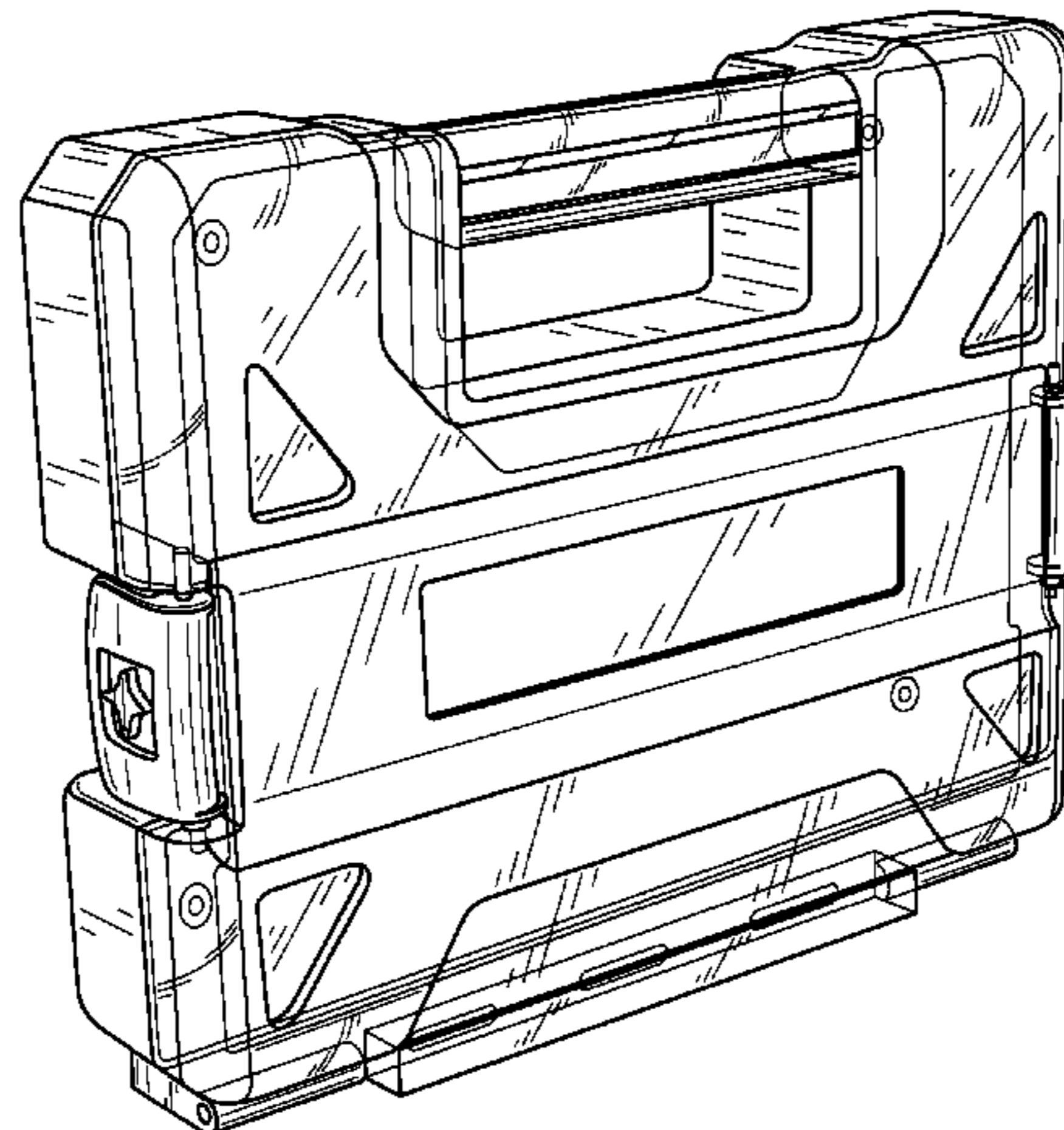
FIG. 5 is a right view thereof.

FIG. 6 is a top view thereof; and,

FIG. 7 is a bottom view thereof.

The features shown in broken lines form no part of the claimed design.

**1 Claim, 5 Drawing Sheets**



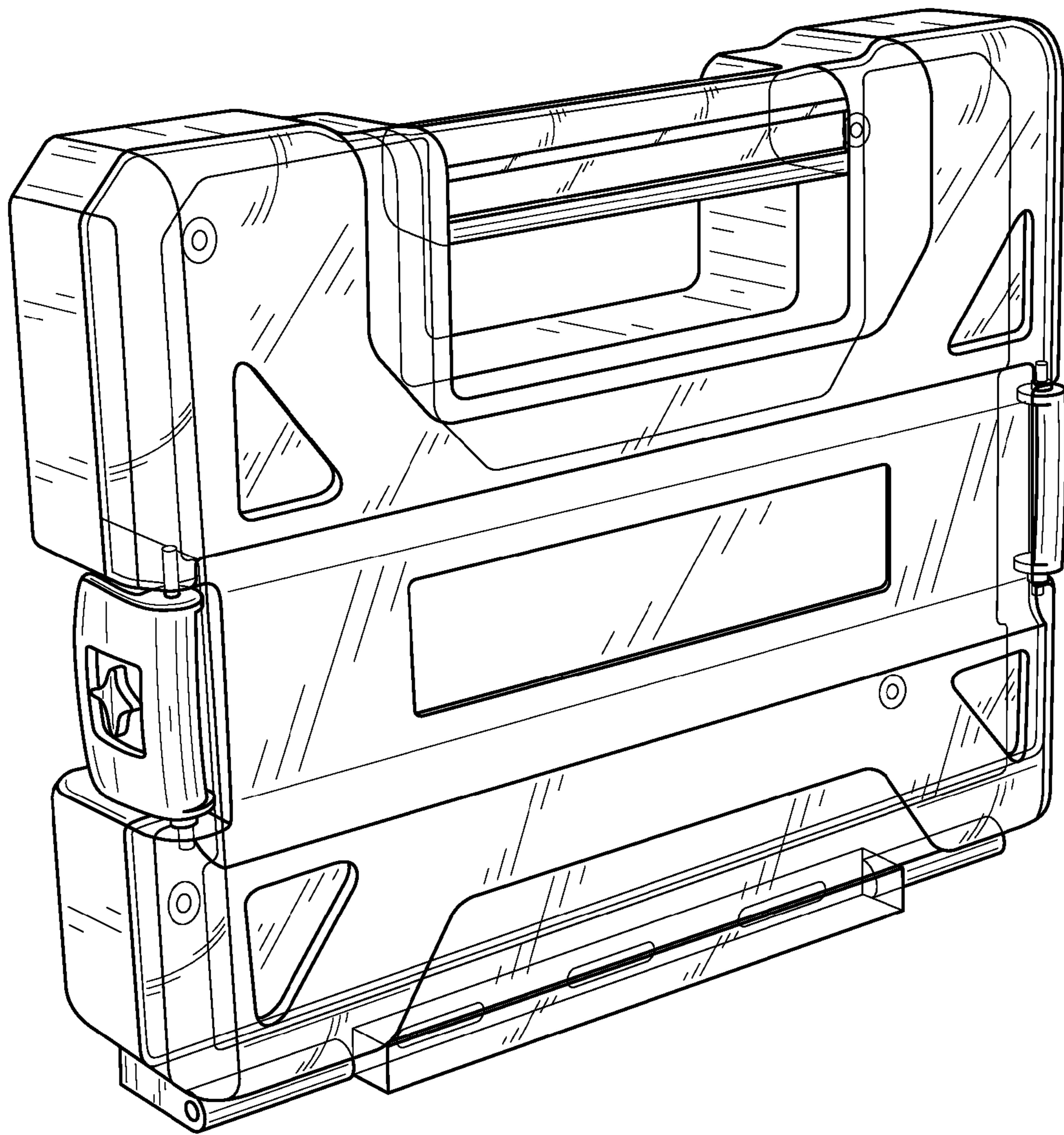


FIG. 1

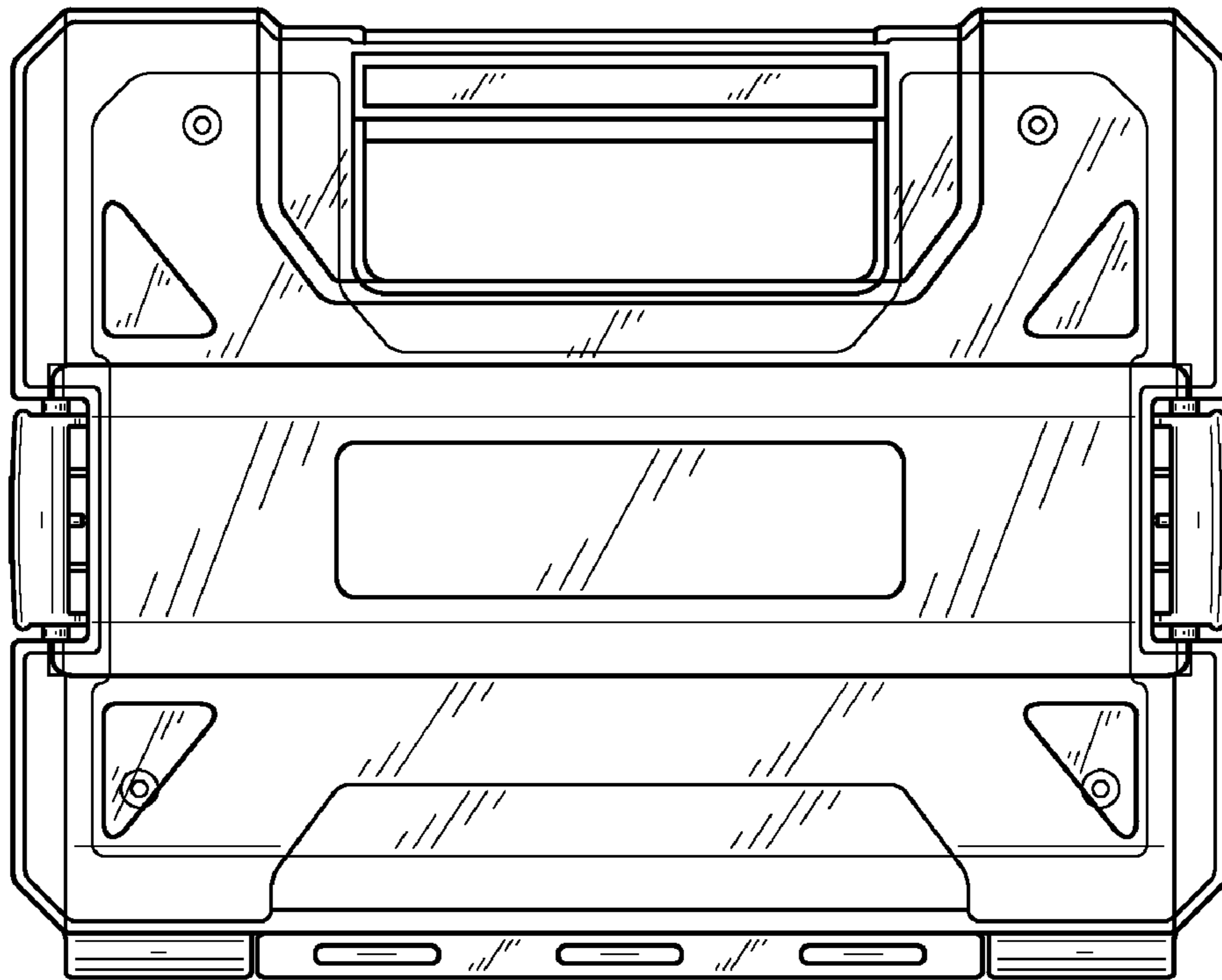


FIG. 2

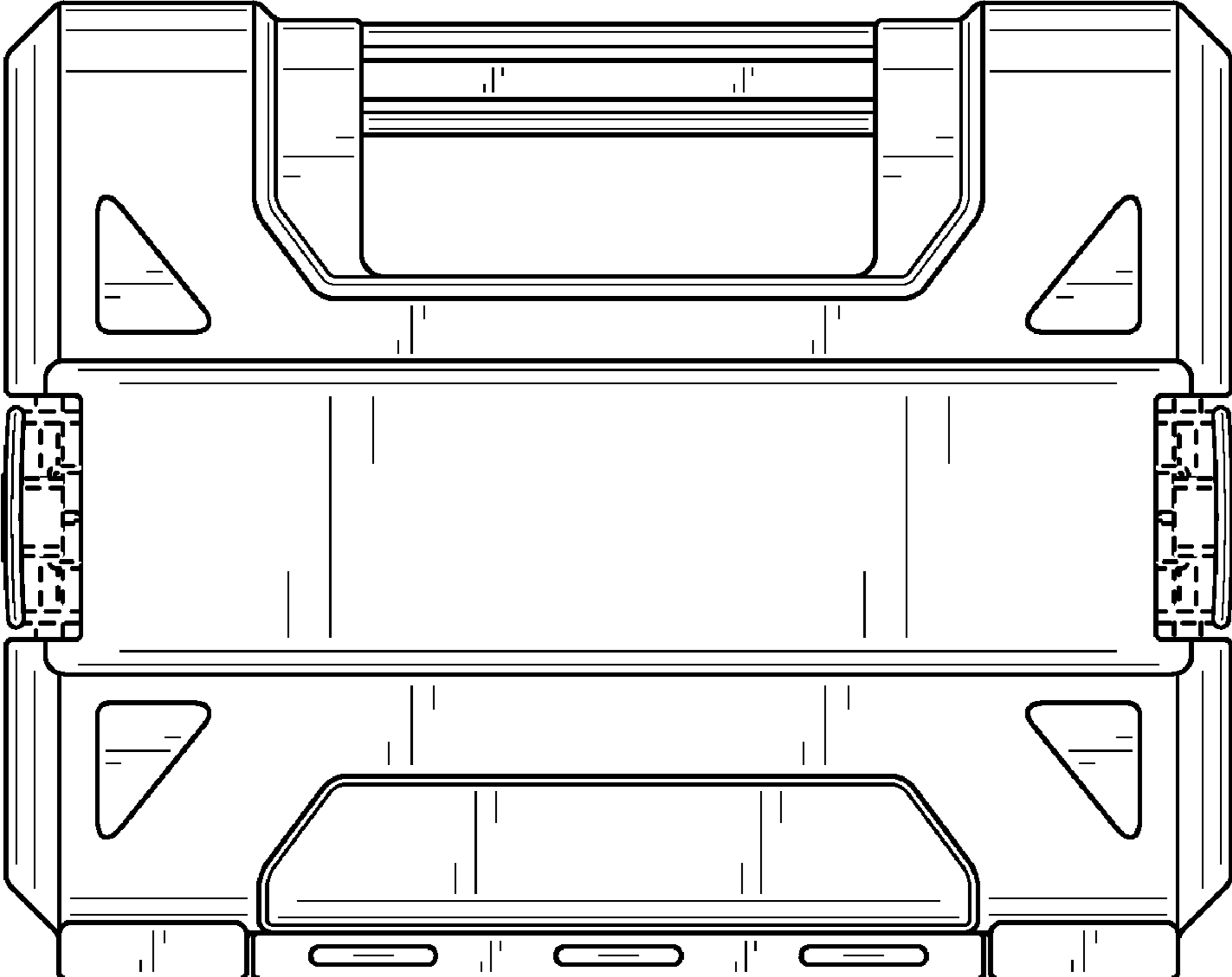


FIG. 3

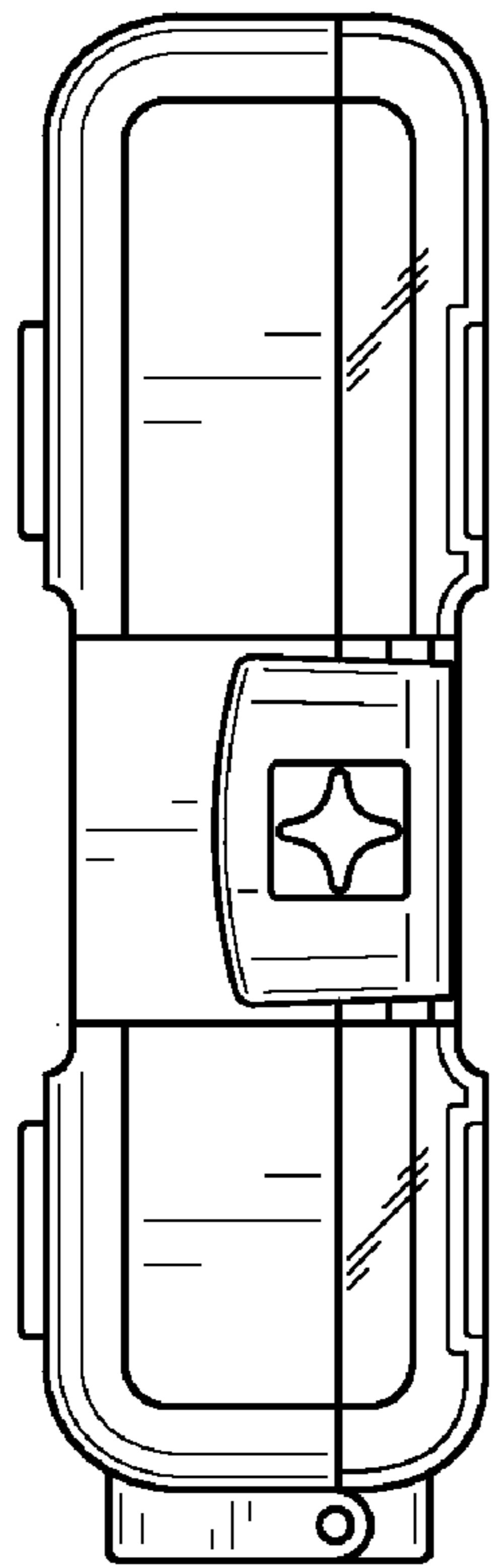


FIG. 4

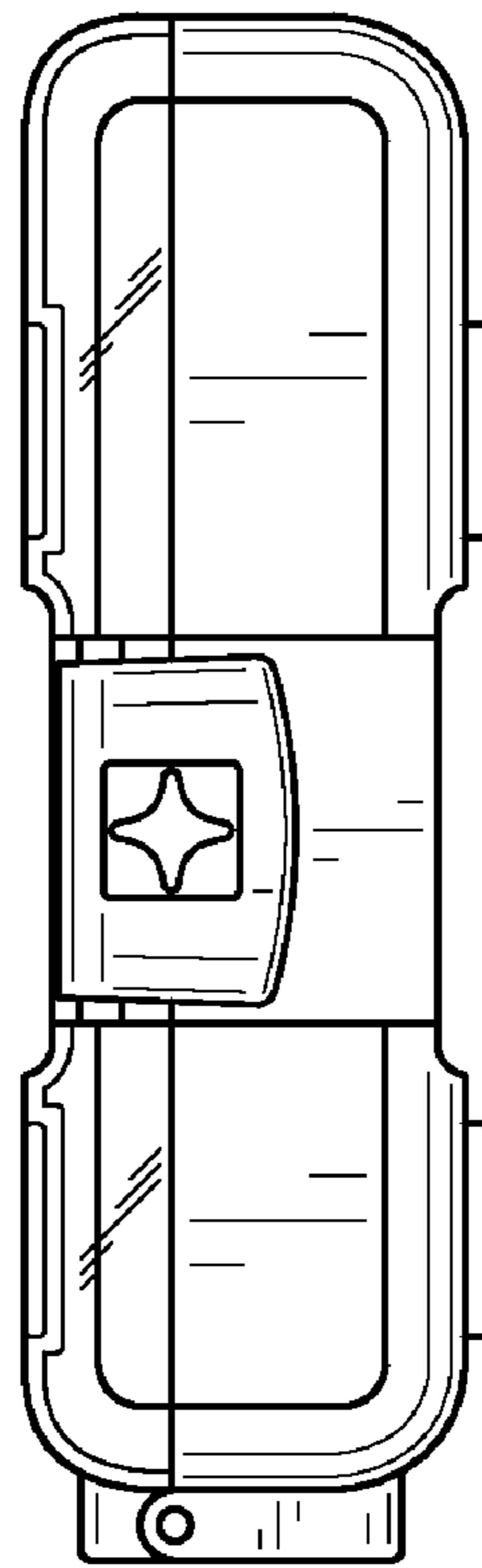


FIG. 5

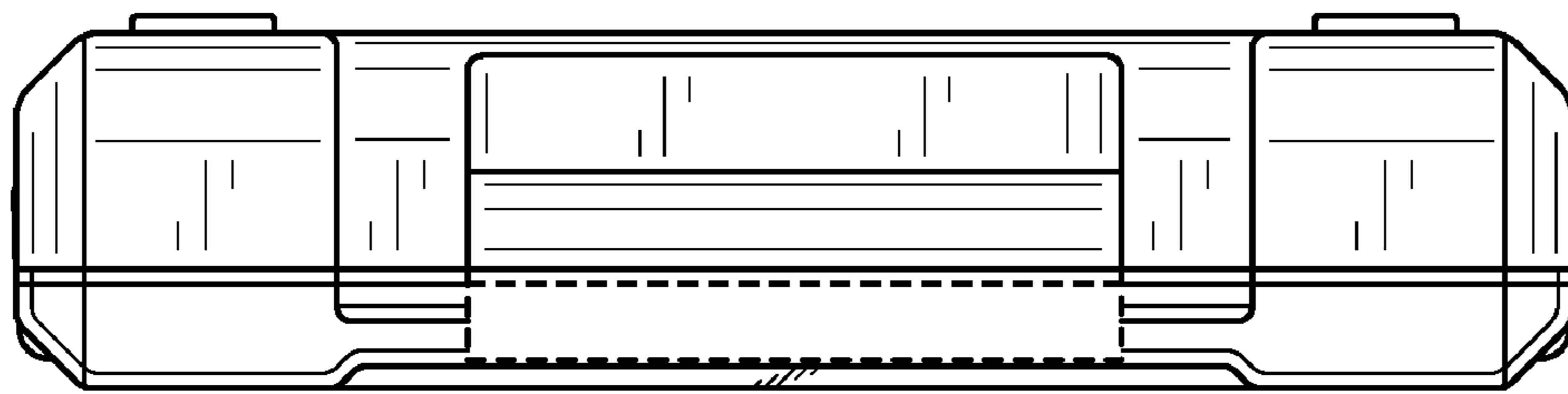


FIG. 6

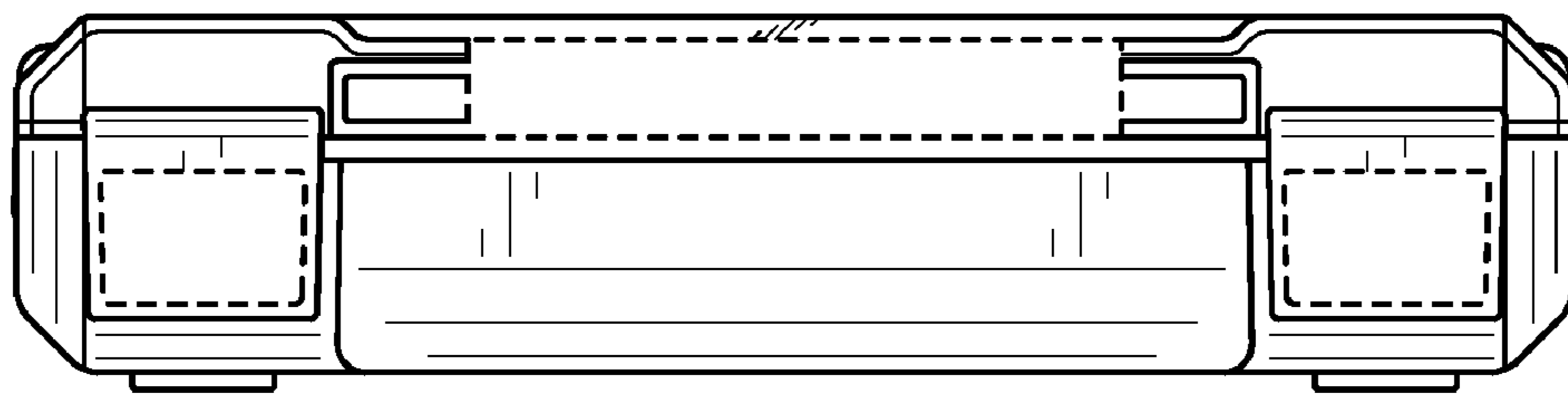


FIG. 7