



US00D601784S

(12) **United States Design Patent**  
**Chen et al.**

(10) **Patent No.:** **US D601,784 S**

(45) **Date of Patent:** **\*\* Oct. 13, 2009**

(54) **CLOG WITH ROCKER BOTTOM**

(76) Inventors: **Johnny Chen**, 1976 Scenic Ridge Dr., Chino Hills, CA (US) 91709; **Nate Lebman**, 10401 Wish Ave., Granada Hills, CA (US) 91344

(\*\*) Term: **14 Years**

(21) Appl. No.: **29/318,472**

(22) Filed: **May 20, 2008**

(51) **LOC (9) Cl.** ..... **02-04**

(52) **U.S. Cl.** ..... **D2/926; D2/918; D2/923**

(58) **Field of Classification Search** ..... D2/896, D2/898, 900, 903, 916, 918-922, 926, 943, D2/952, 969; 36/45, 11.5, 8.1, 77 M, 77 R, 36/83, 7

See application file for complete search history.

(56) **References Cited**

**U.S. PATENT DOCUMENTS**

- D151,304 S \* 10/1948 Walsh ..... D2/932
- D247,073 S \* 1/1978 Kane et al. .... D2/926
- D310,289 S \* 9/1990 Farina ..... D2/926
- D413,010 S \* 8/1999 Birkenstock ..... D2/916
- D470,997 S \* 3/2003 Bronga ..... D2/897

- D479,906 S \* 9/2003 Hawker et al. .... D2/969
- D492,841 S \* 7/2004 Magro ..... D2/926
- D545,032 S \* 6/2007 Wolf ..... D2/923

\* cited by examiner

*Primary Examiner*—Stella M Reid

*Assistant Examiner*—Rashida C McCoy

(74) *Attorney, Agent, or Firm*—Sean D. Burdick

(57) **CLAIM**

The design for the clog with rocker bottom, as shown.

**DESCRIPTION**

FIG. 1 is a top view of a clog with rocker bottom, showing my new design.

FIG. 2 is a bottom view thereof;

FIG. 3 is a left side view thereof;

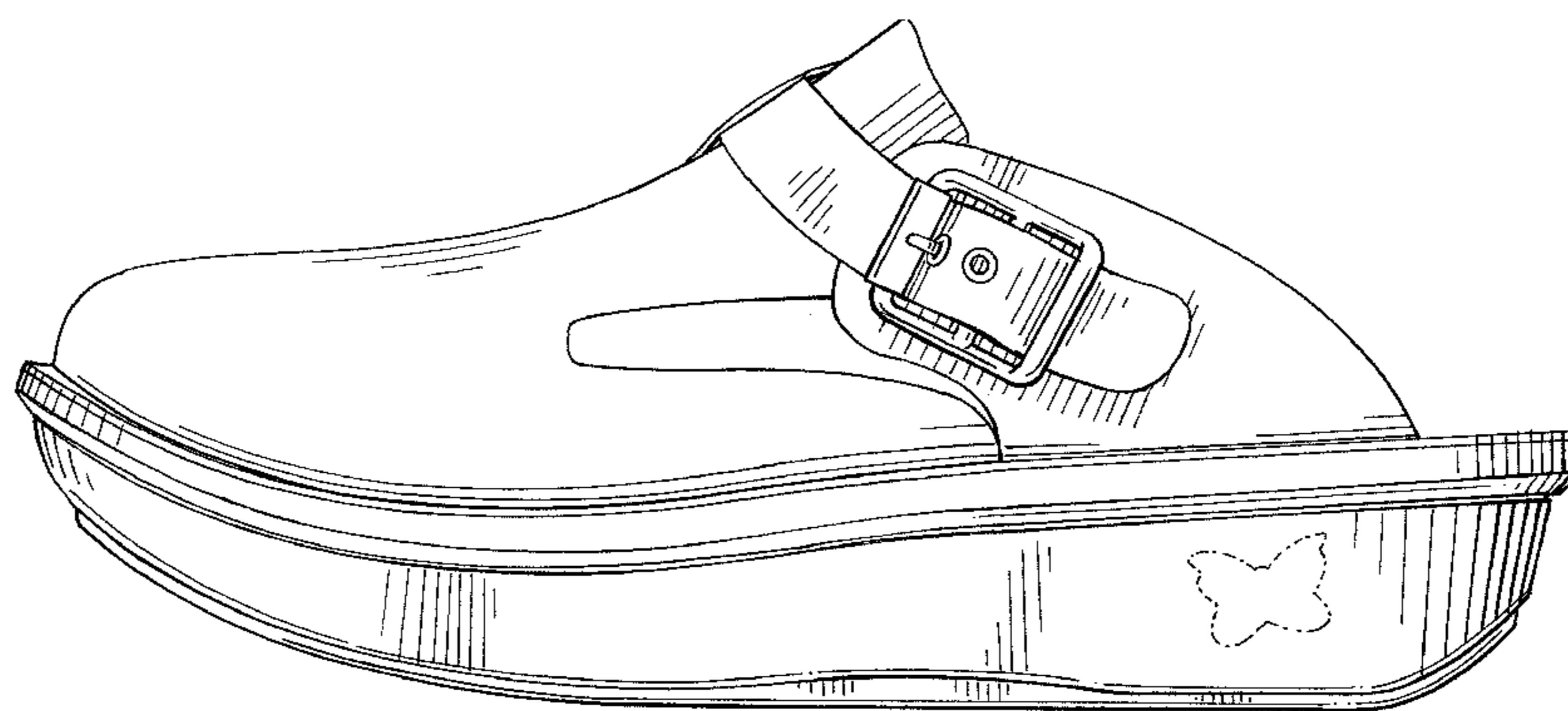
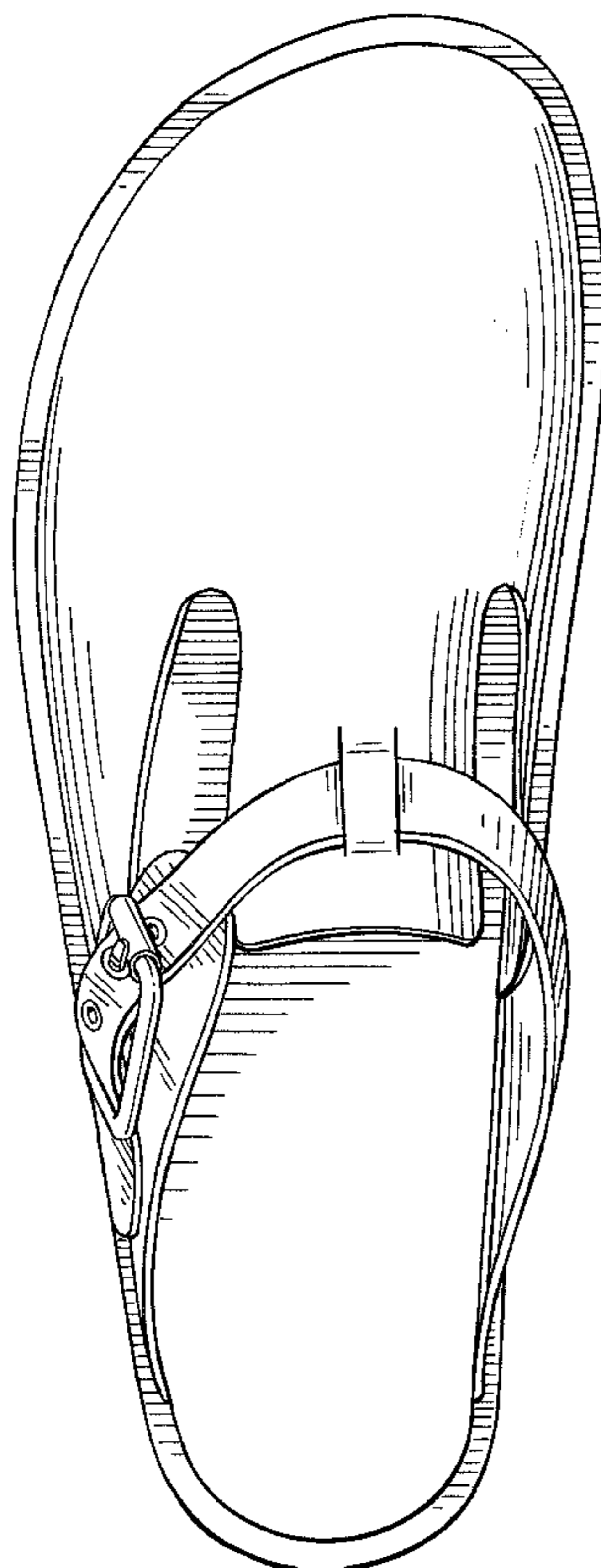
FIG. 4 is a right side view thereof;

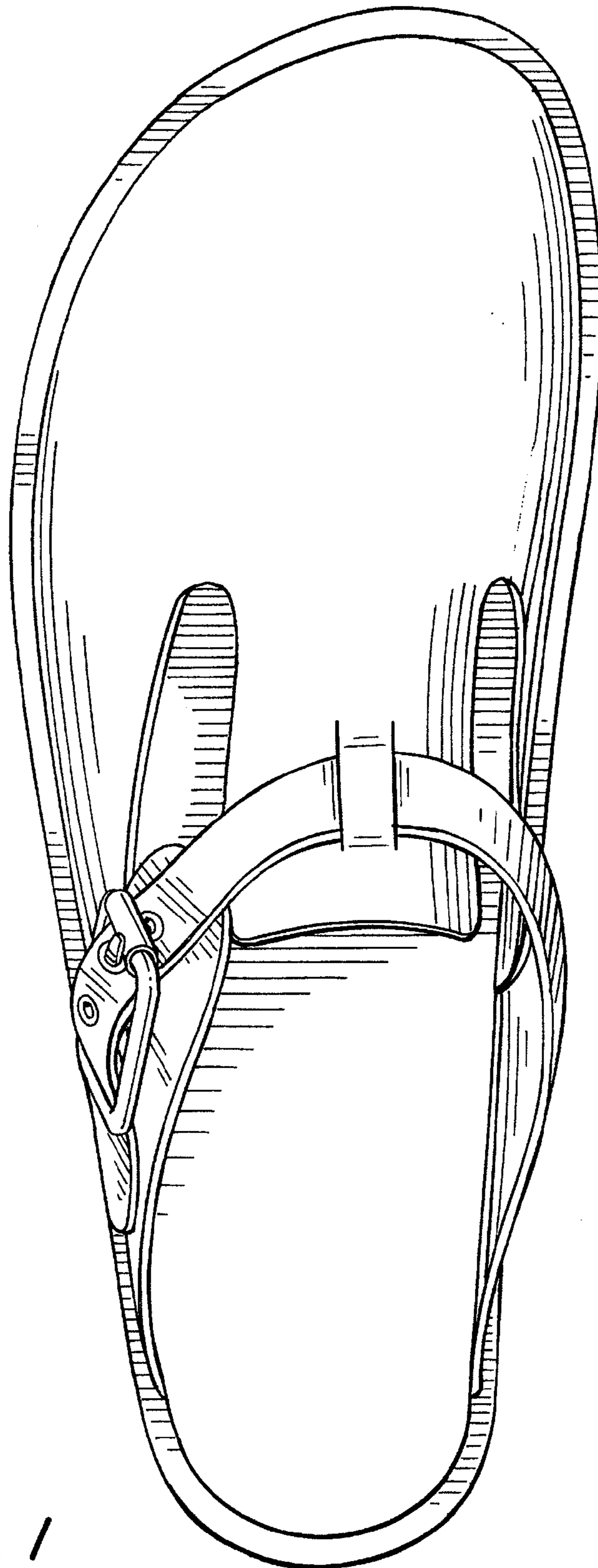
FIG. 5 is a front view thereof; and,

FIG. 6 is a rear view thereof.

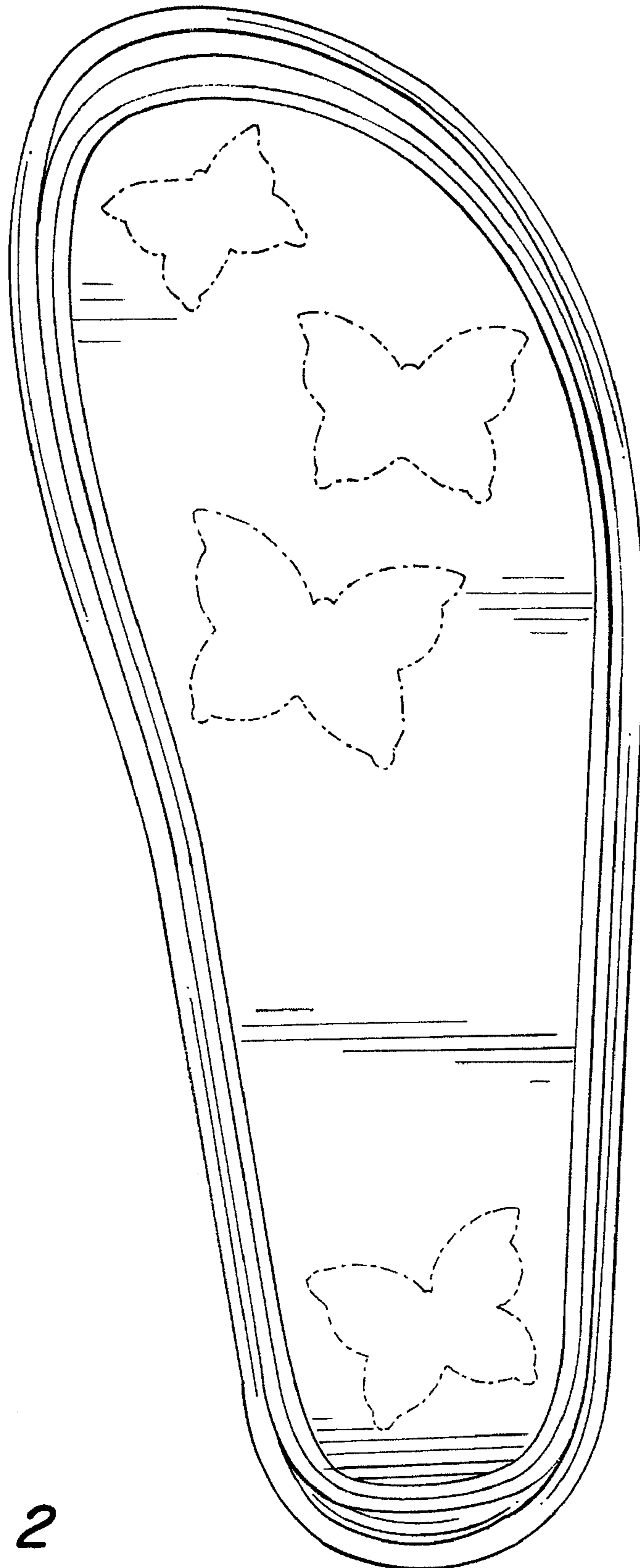
The broken line showing of the butterfly detail on the mid-sole and sole is included for the purpose of illustrating environmental structure and forms no part of the claimed design.

**1 Claim, 5 Drawing Sheets**

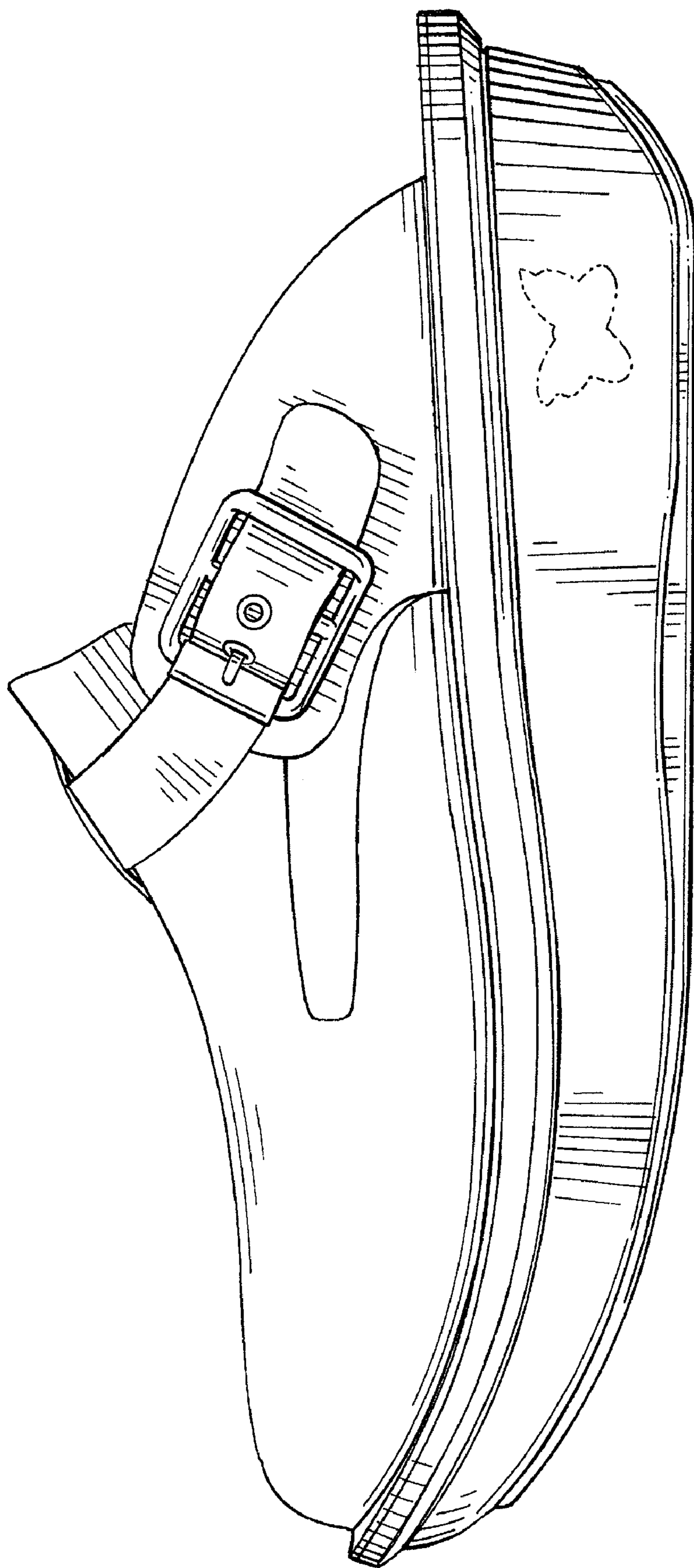




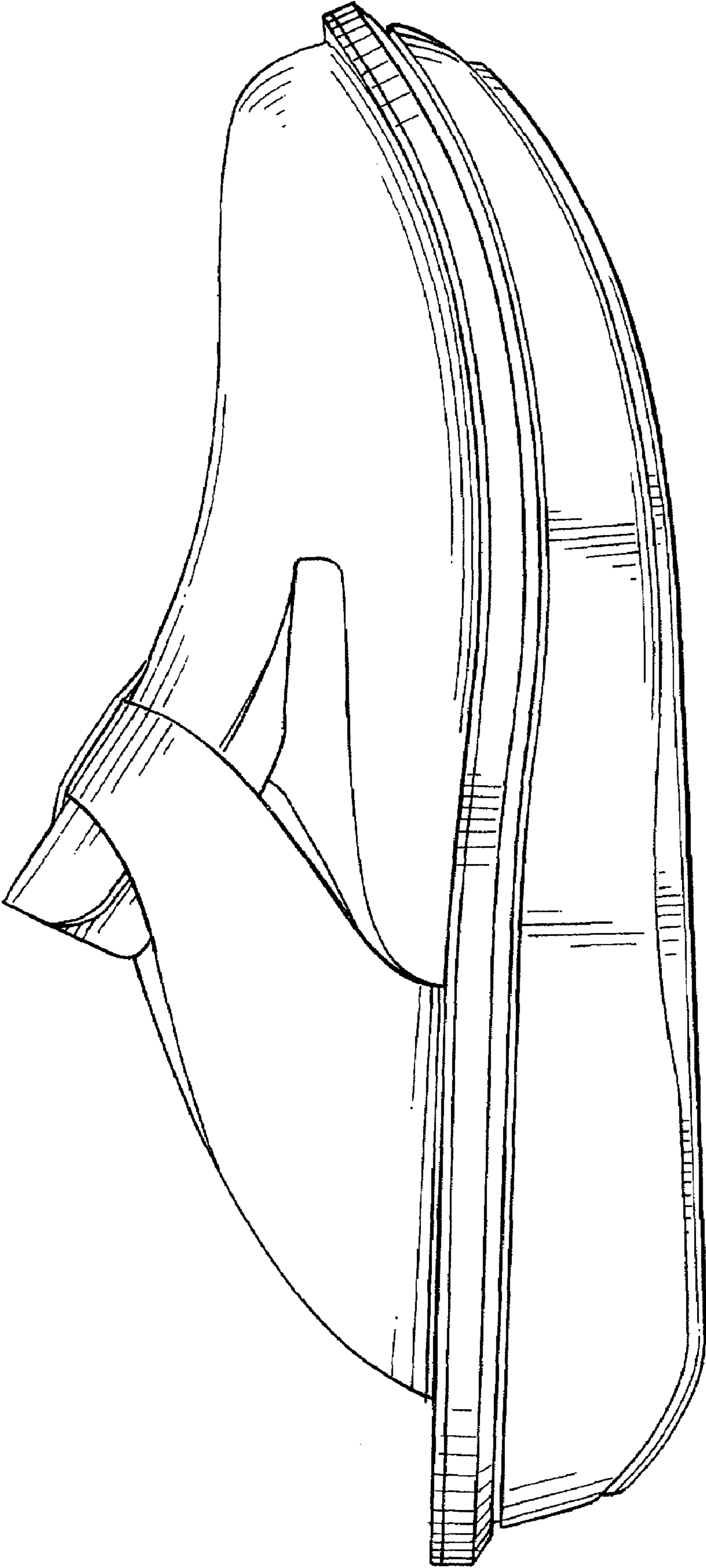
*FIG. 1*



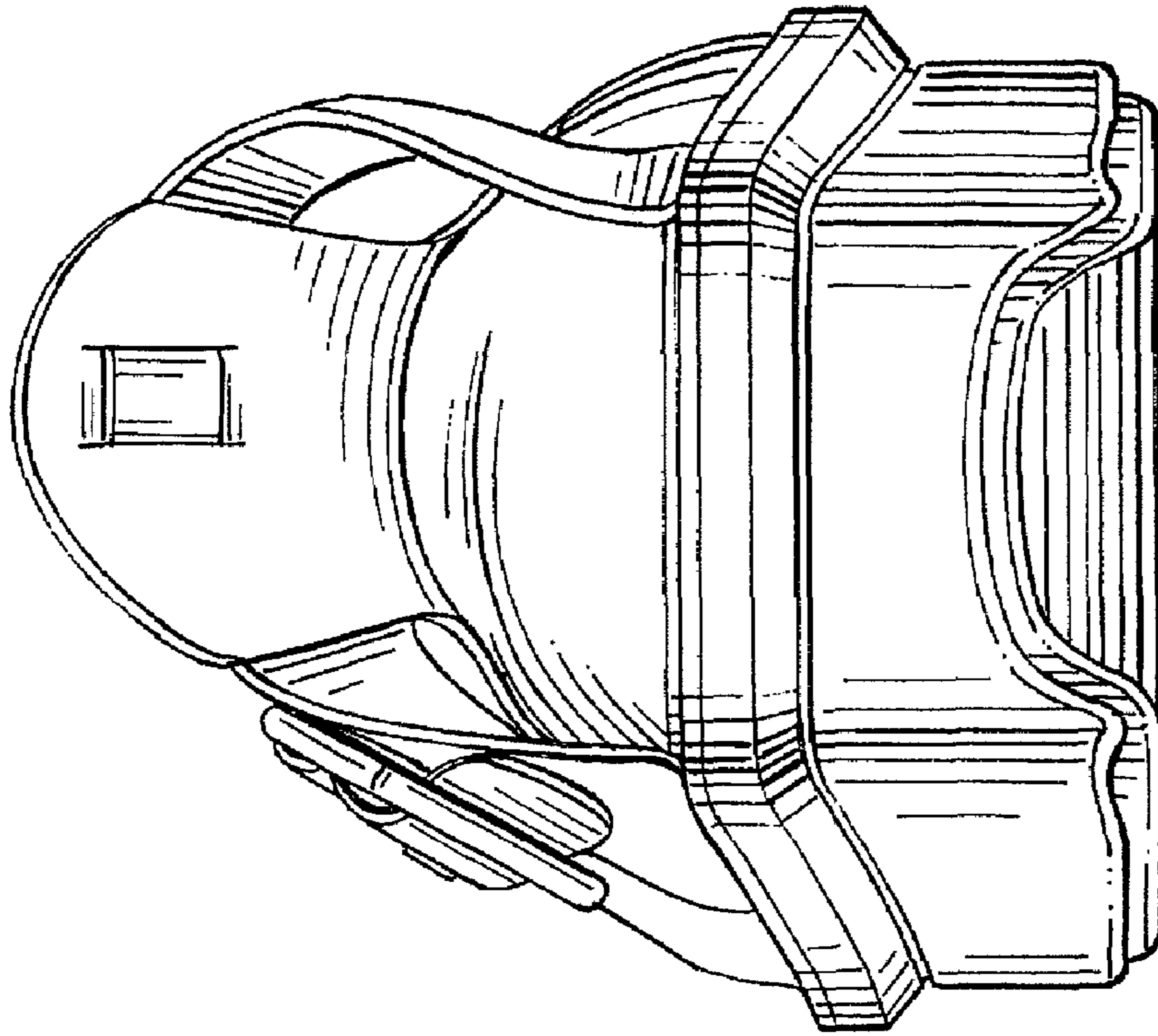
*FIG. 2*



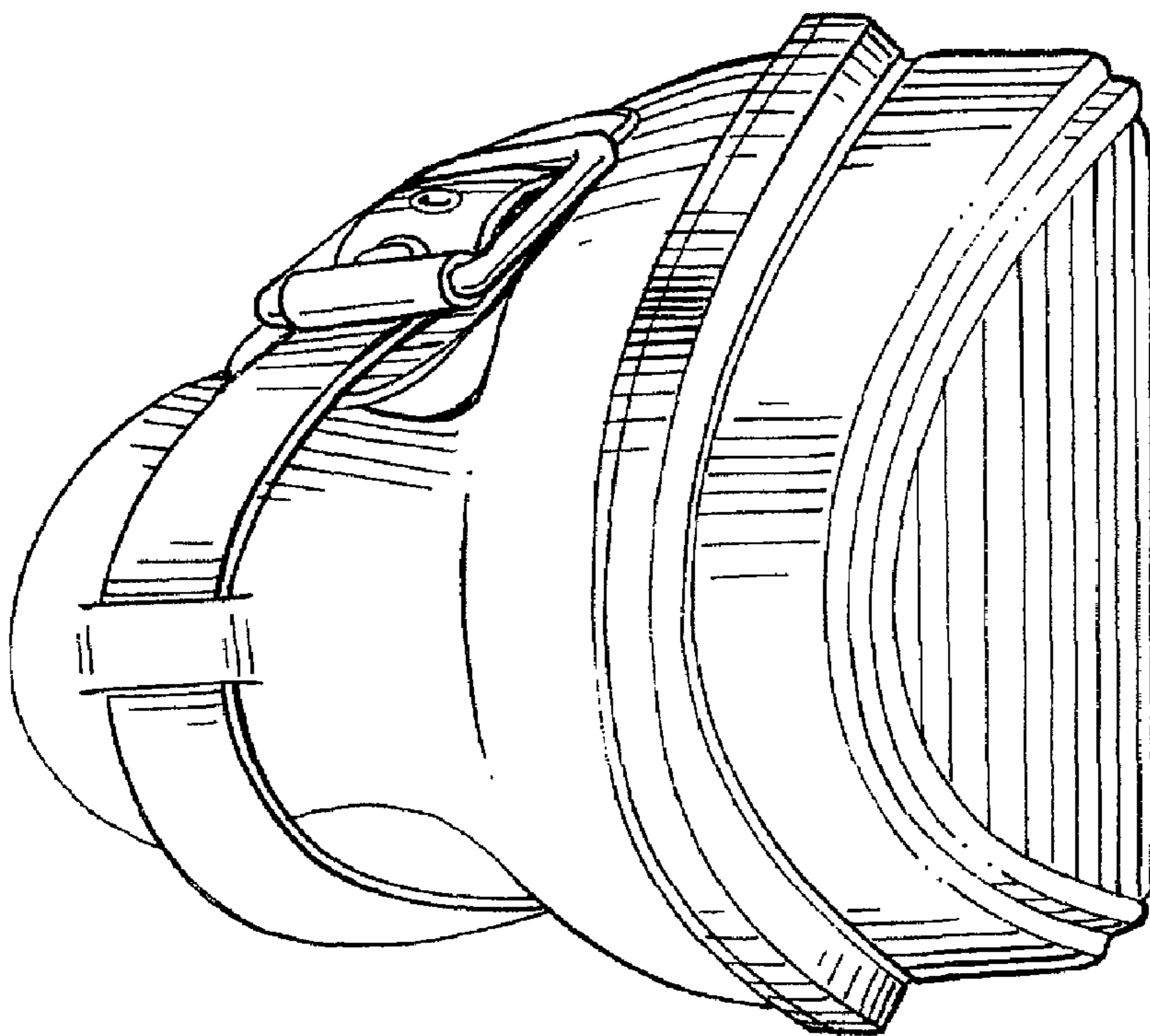
*FIG. 3*



*FIG. 4*



*FIG. 6*



*FIG. 5*